



US00D462250S

(12) **United States Design Patent**  
**Ping**

(10) **Patent No.:** **US D462,250 S**

(45) **Date of Patent:** **\*\* Sep. 3, 2002**

(54) **UTILITY KNIFE**

(75) **Inventor:** **Qiu Jian Ping, Hangzhou (CN)**

(73) **Assignee:** **Great Neck Saw Manufacturers, Inc., Mineola, NY (US)**

(\*\*) **Term:** **14 Years**

(21) **Appl. No.:** **29/144,142**

(22) **Filed:** **Jun. 28, 2001**

(30) **Foreign Application Priority Data**

Apr. 24, 2001 (CN) ..... 01 2 39012 U

(51) **LOC (7) Cl.** ..... **08-03**

(52) **U.S. Cl.** ..... **D8/99**

(58) **Field of Search** ..... D8/51, 98, 99;  
30/162, 320, 329, 335, 337

(56) **References Cited**

**U.S. PATENT DOCUMENTS**

2,172,072 A	9/1939	Rothschild	
2,467,481 A	4/1949	Huff	
2,948,961 A	8/1960	Ortner	
2,967,354 A	1/1961	Ahlborn	
3,316,635 A	5/1967	Merrow	
3,509,627 A	5/1970	Gilbert	
3,577,637 A	5/1971	Braginetz	
3,593,417 A	7/1971	West	
3,660,896 A	5/1972	Umholtz	30/162
3,708,881 A	1/1973	Bennett	30/320
3,845,554 A	11/1974	Joanis	
3,872,591 A	3/1975	Ouenot	30/162
3,879,847 A	4/1975	Roll	30/162
3,888,002 A	6/1975	Graham	30/162
4,005,525 A	2/1977	Gringer	30/125
4,196,515 A	4/1980	Sugiyama	30/162
4,227,306 A	10/1980	Meshulam	30/342
4,242,795 A	1/1981	Rollband	30/162
4,277,888 A	7/1981	Szabo	30/162
4,320,576 A	3/1982	Beermann	30/162
4,517,741 A	5/1985	Castelluzzo	30/162
4,586,256 A	5/1986	Weimann	30/162
4,621,425 A	11/1986	Stoutenberg	30/162
4,663,845 A	5/1987	Weimann	30/162
4,761,882 A	8/1988	Silverstein	30/162
4,813,132 A	3/1989	Castelluzzo	30/162
4,939,839 A	7/1990	Gorst	30/125

4,941,260 A	7/1990	Castelluzzo	30/162
4,974,320 A	12/1990	Pelletier	30/123
D319,978 S	* 9/1991	Wolff	D7/586
5,099,578 A	3/1992	Jan	30/162
5,301,428 A	4/1994	Wilcox	30/162
5,315,760 A	5/1994	Emerson	30/123
D348,383 S	* 7/1994	Perkins	D8/99
5,406,707 A	4/1995	Owens	30/162
5,459,647 A	10/1995	Betts	362/119
5,495,670 A	3/1996	Quinn	30/162
5,509,205 A	4/1996	Ragland, III	30/162
5,613,300 A	3/1997	Schmidt	30/2
5,644,843 A	7/1997	Young	30/124
D395,219 S	* 6/1998	Ghavami	D8/99
D400,774 S	* 11/1998	Ghavami	D8/99
5,862,596 A	1/1999	Chung	30/162
5,870,828 A	2/1999	Polites	30/162
5,909,930 A	6/1999	Ragland	30/125
D413,783 S	* 9/1999	Huang	D8/99
5,950,311 A	9/1999	Huang	30/162
5,966,817 A	10/1999	Lee	30/162
6,000,136 A	12/1999	Owens	30/162
D420,270 S	* 2/2000	Martone	D8/99
6,041,505 A	3/2000	Chen	30/123
6,044,560 A	4/2000	Chao	30/162
6,058,607 A	5/2000	Gringer	30/162
D439,492 S	* 3/2001	Martone et al.	D8/99
D445,662 S	* 7/2001	Huang	D8/98

\* cited by examiner

*Primary Examiner*—Philip S. Hyder  
(74) *Attorney, Agent, or Firm*—Joseph J. Previto

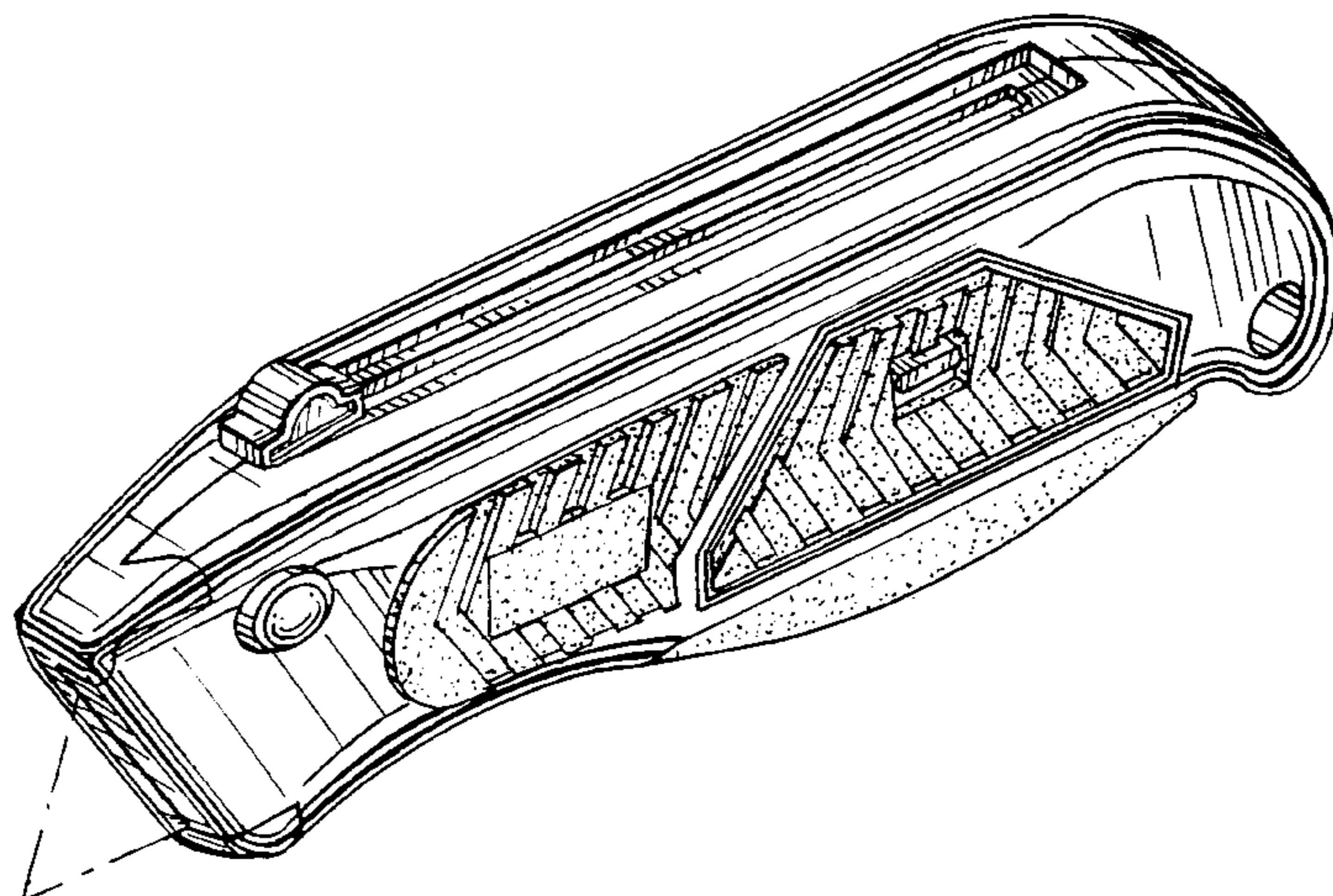
(57) **CLAIM**

The ornamental design for a utility knife, as shown and described.

**DESCRIPTION**

FIG. 1 is a perspective view of my new design.  
FIG. 2 is a front view thereof.  
FIG. 3 is a rear view thereof.  
FIG. 4 is a top view thereof.  
FIG. 5 is one side view thereof.  
FIG. 6 is another side view thereof; and,  
FIG. 7 is a bottom view thereof.  
The broken line showings of the blade are for illustrative purposes only and form no part of the claimed design.

**1 Claim, 4 Drawing Sheets**



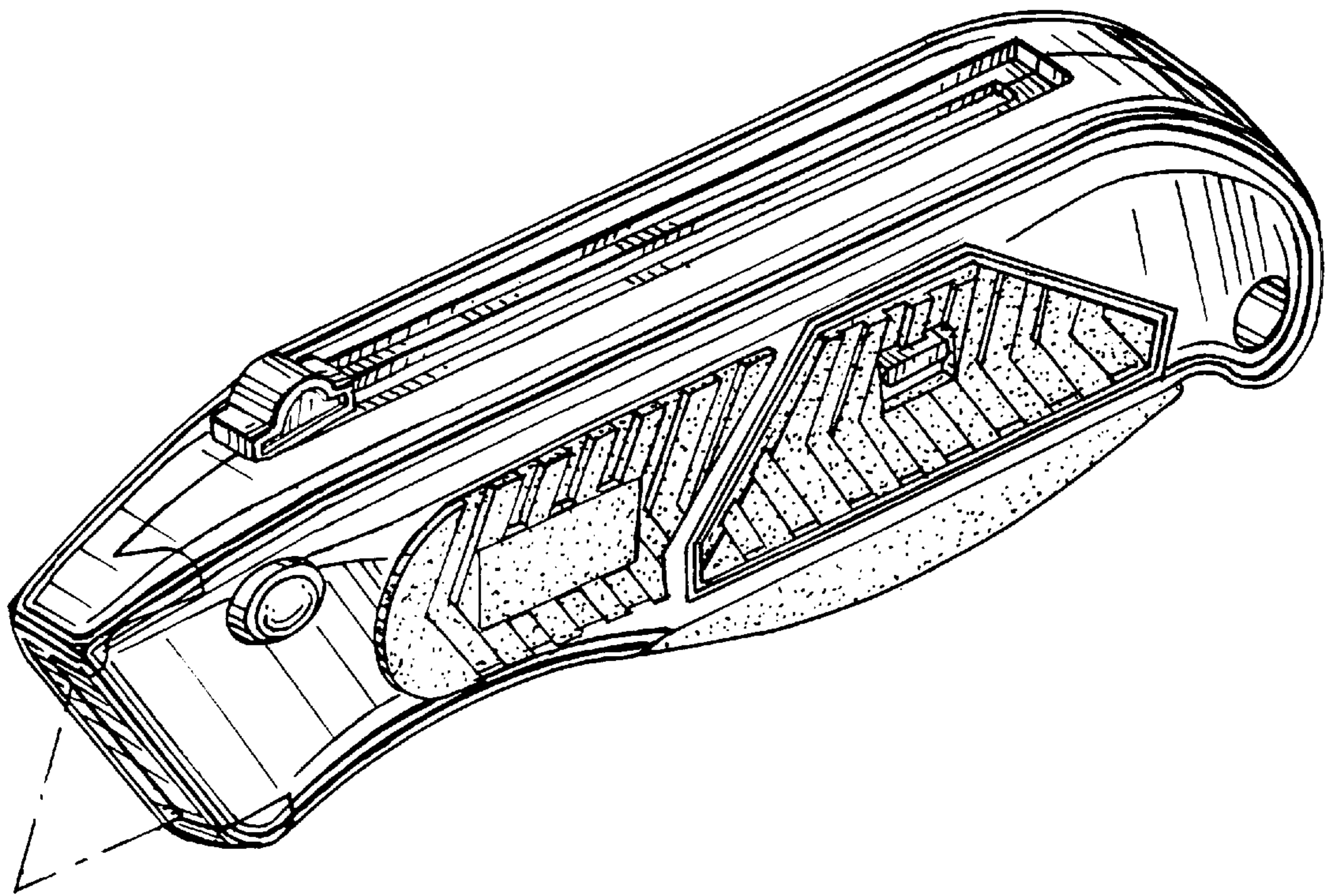


FIG.1

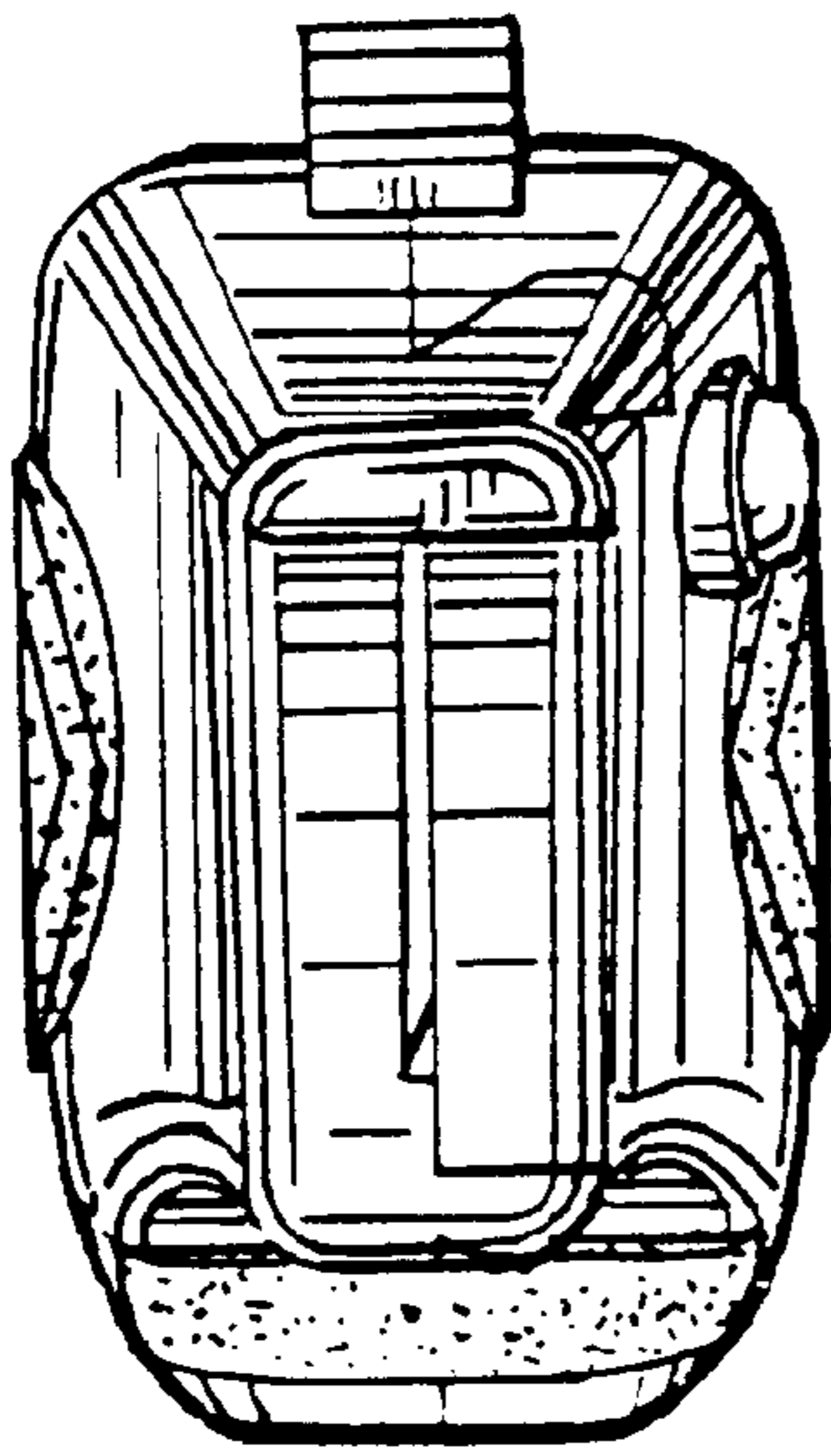


FIG. 2

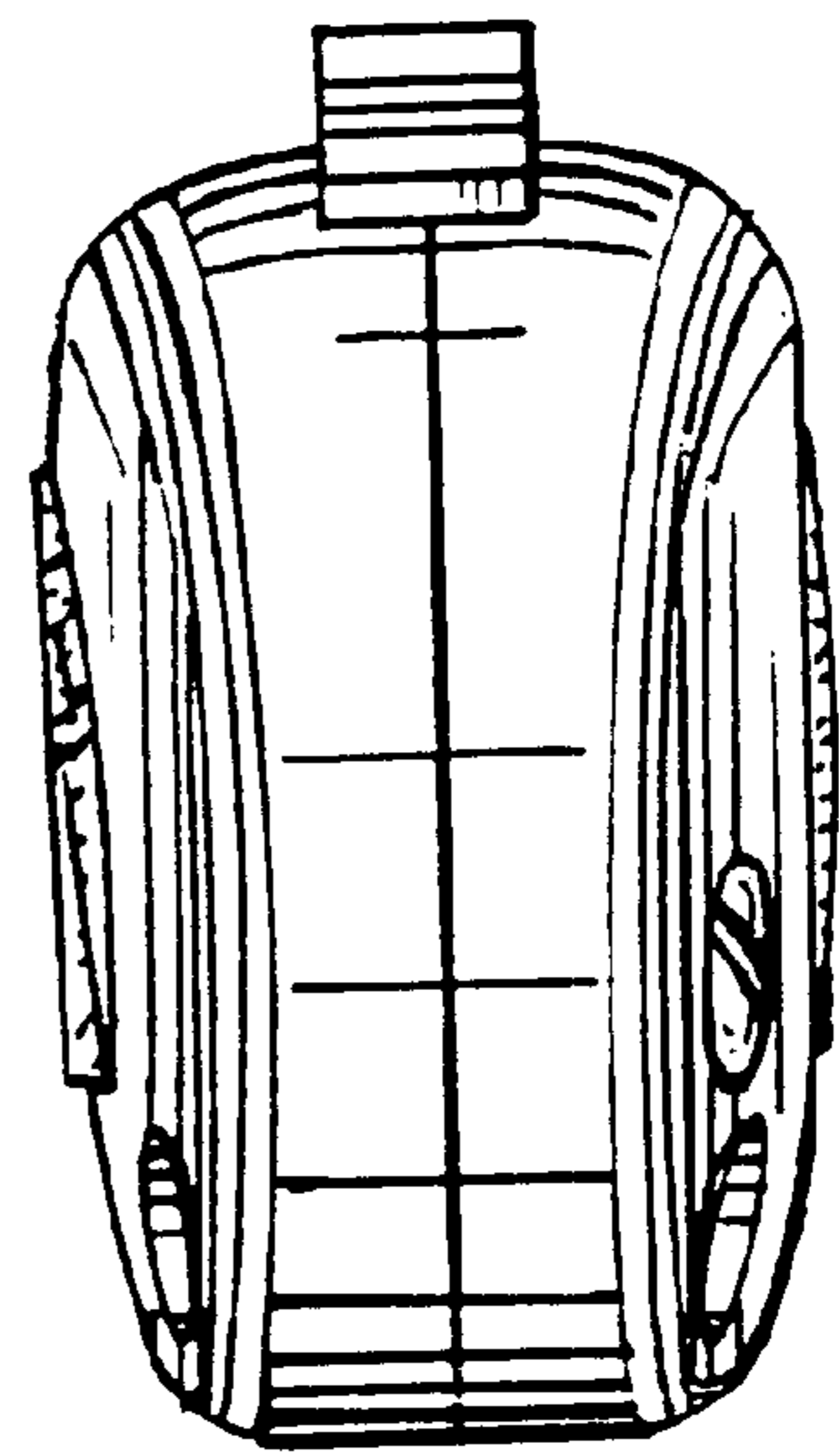


FIG. 3

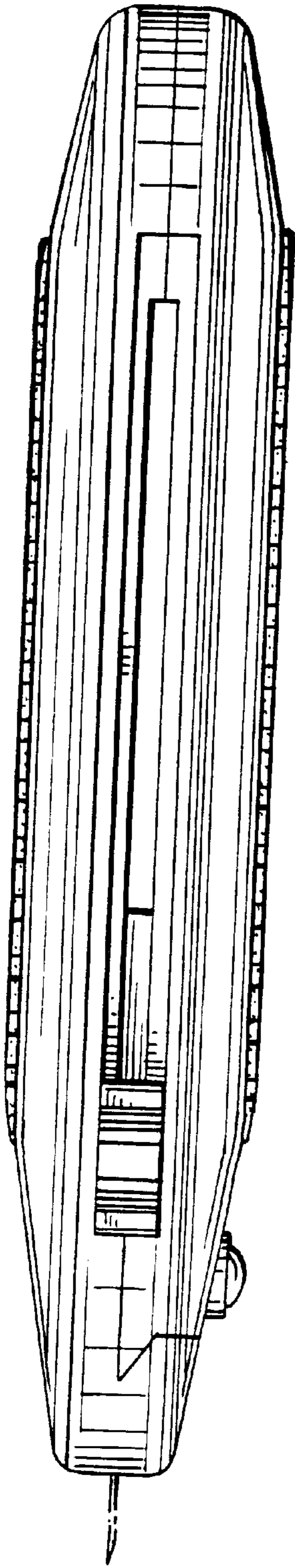


FIG. 4

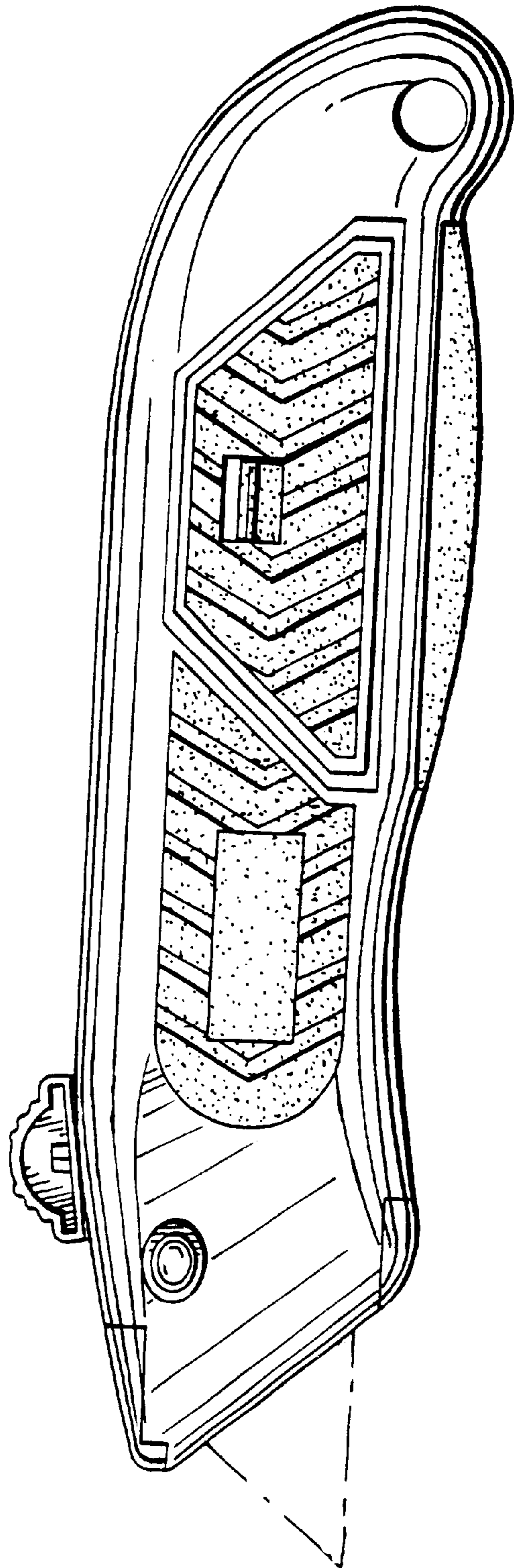


FIG. 5

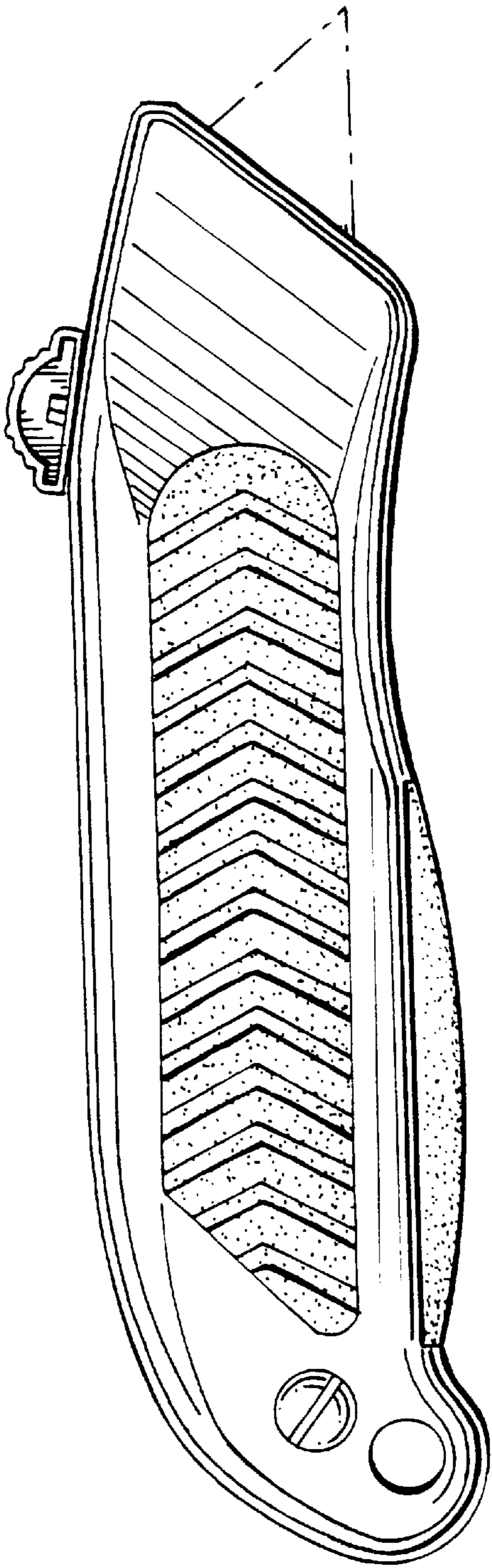


FIG. 6

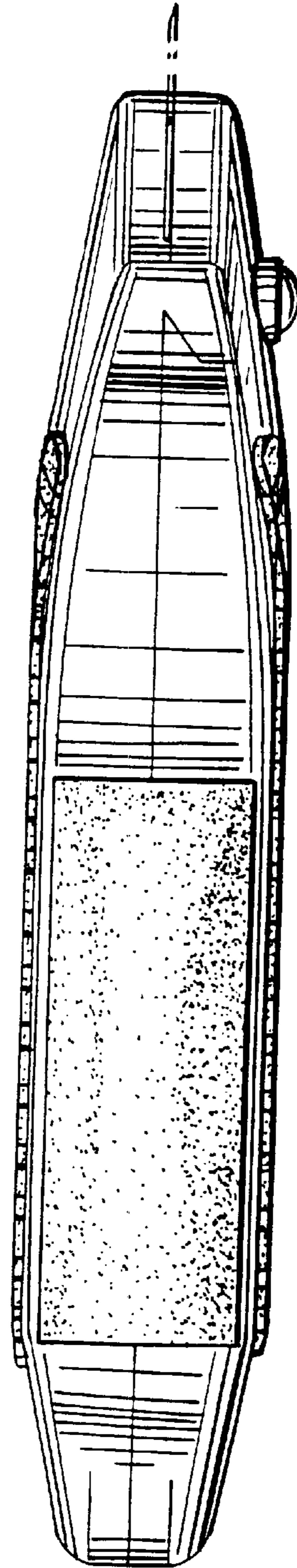


FIG. 7