



US00D462249S

(12) **United States Design Patent**
Chunn et al.

(10) **Patent No.:** **US D462,249 S**

(45) **Date of Patent:** **** Sep. 3, 2002**

(54) **KEYLESS DRILL CHUCK**

(75) Inventors: **Daniel A. Chunn; Meily Siu Mei Chan; Felix Hei Shun Leung; Benson Chun Kit Cheung**, all of Hong Kong (CN)

(73) Assignee: **TechTronic Industries Co., LTD**, Hong Kong (CN)

(**) Term: **14 Years**

(21) Appl. No.: **29/150,468**

(22) Filed: **Nov. 5, 2001**

(51) **LOC (7) Cl.** **08-05**

(52) **U.S. Cl.** **D8/70; D15/140**

(58) **Field of Search** D8/70, 68, 69; D15/140; 279/60, 61, 62, 63, 64, 65, 66, 157, 901, 902; 408/56, 240

(56) **References Cited**

U.S. PATENT DOCUMENTS

- D346,541 S * 5/1994 Somers D8/70
- D356,932 S * 4/1995 Owens et al. D8/70
- D359,217 S * 6/1995 Owens et al. D8/70
- D361,076 S * 8/1995 Shadeck et al. D15/140
- D386,193 S * 11/1997 Steadings D8/70

- D400,418 S * 11/1998 Lui D8/70
- D404,988 S * 2/1999 Long D8/70
- D423,315 S * 4/2000 Robson D8/70
- D426,442 S * 6/2000 Long D8/70
- 6,102,411 A * 8/2000 Wilson 279/62
- 6,186,516 B1 * 2/2001 Miles et al. 279/60

* cited by examiner

Primary Examiner—Doris V. Coles

Assistant Examiner—T. Chase Nelson

(74) *Attorney, Agent, or Firm*—John B. Hardaway, III; Nexsen Pruet Jacobs & Pollard, LLC

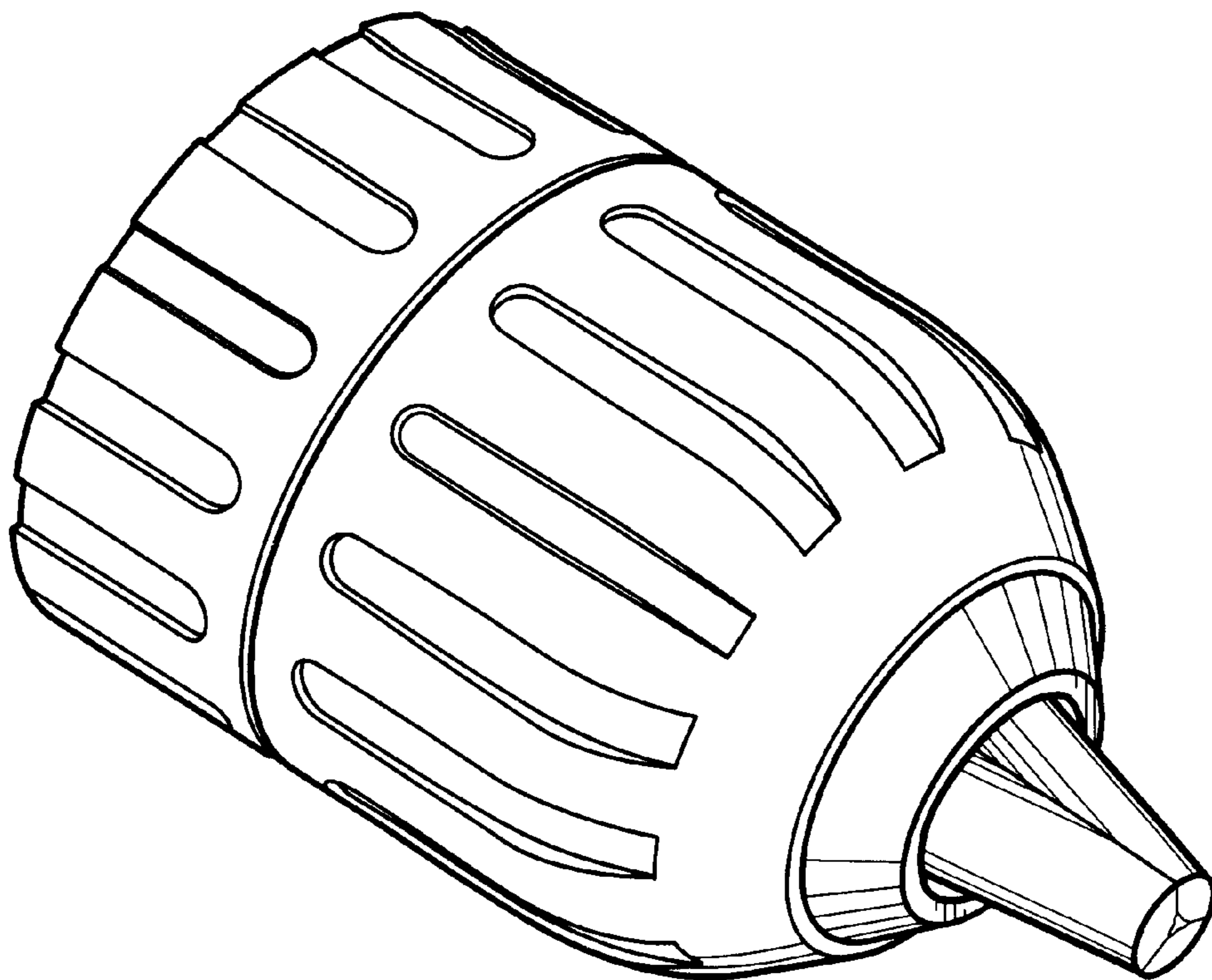
(57) **CLAIM**

The ornamental design for a keyless drill chuck, as shown and described.

DESCRIPTION

FIG. 1 is a front perspective view of the keyless drill chuck of the present invention;
 FIG. 2 is a rear perspective view;
 FIG. 3 is a side elevational view, the top and bottom views being identical and the rear side elevation view a mirror image thereof;
 FIG. 4 is a front end view; and,
 FIG. 5 is a rear end view.

1 Claim, 2 Drawing Sheets



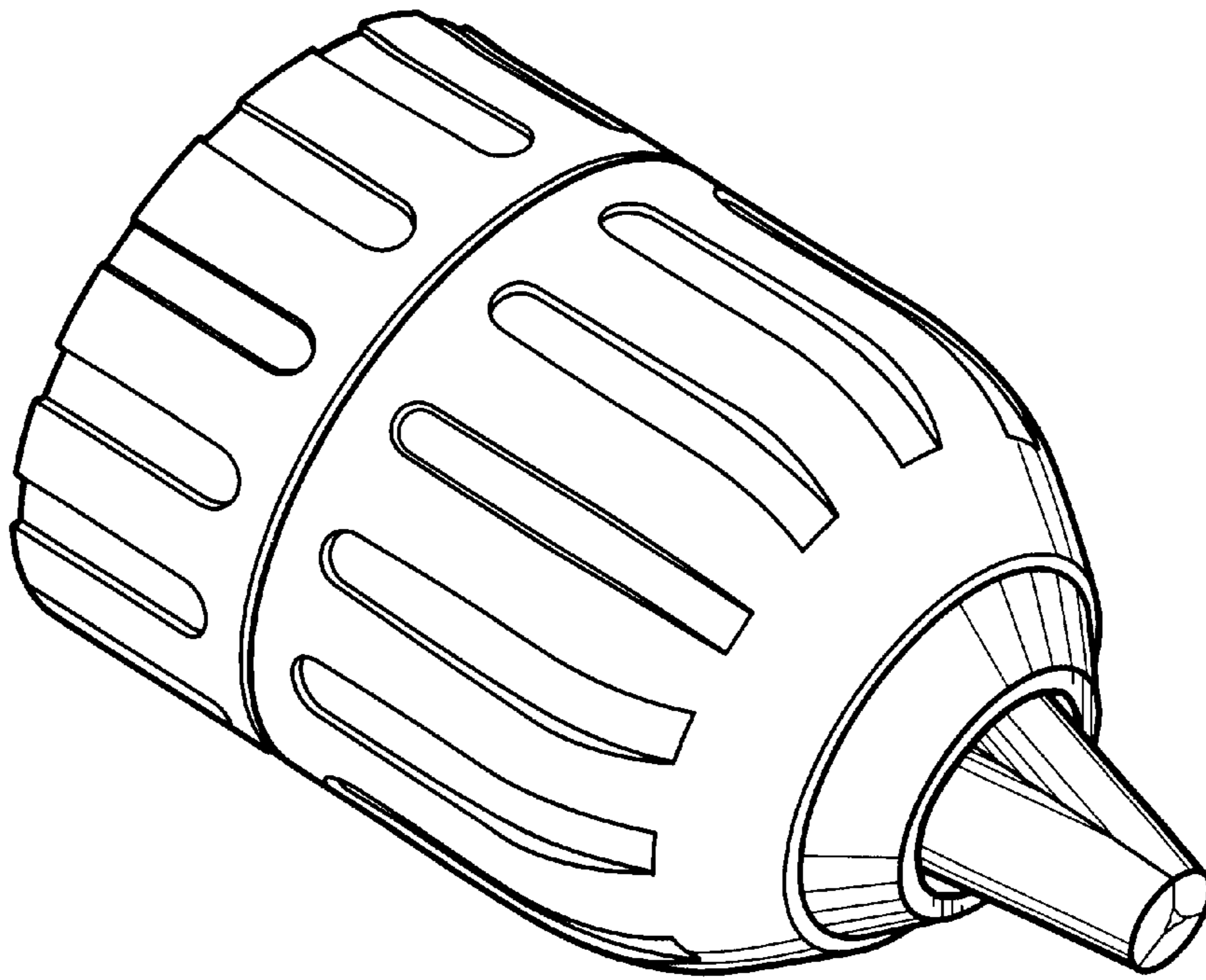


FIG. 1

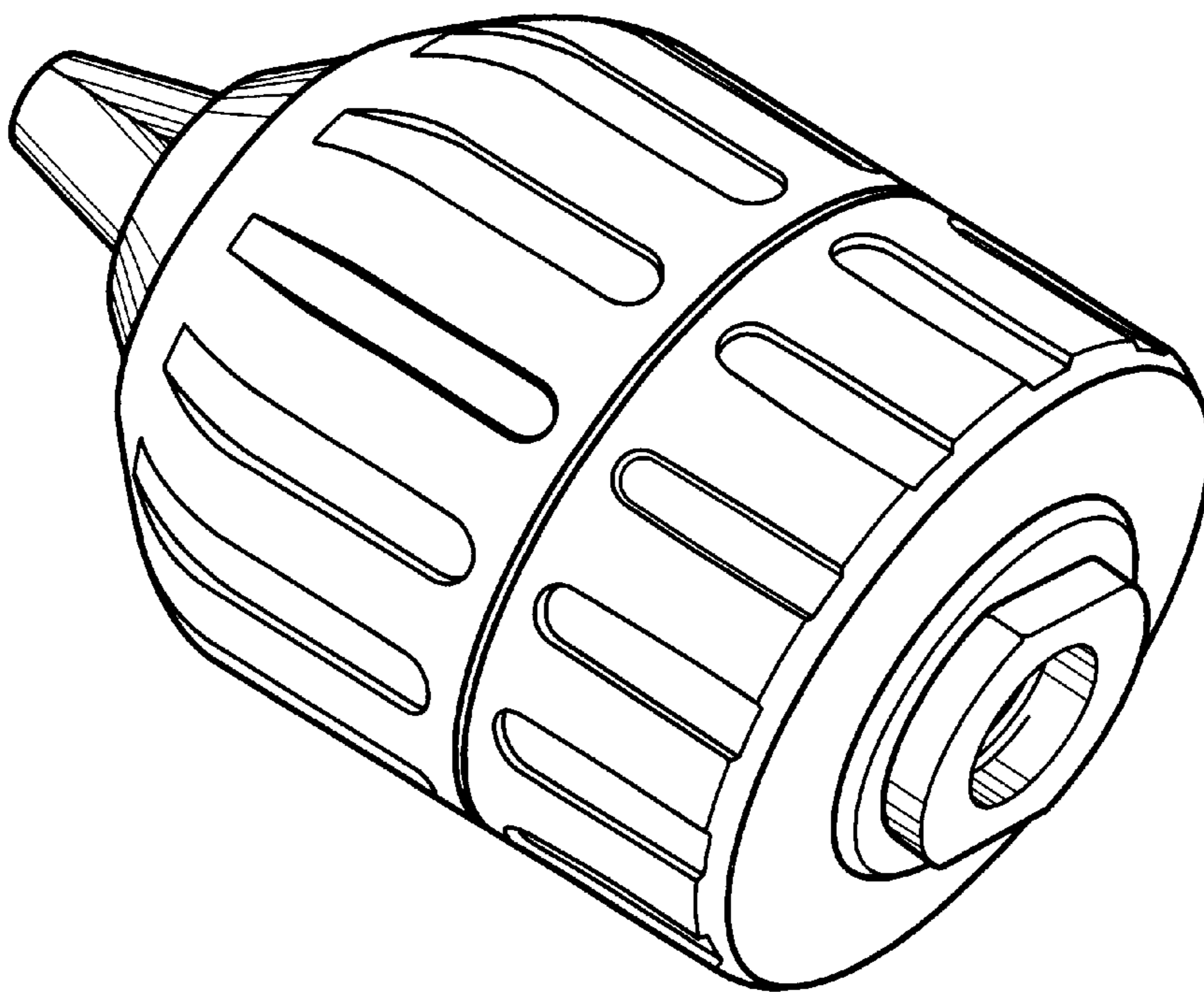


FIG. 2

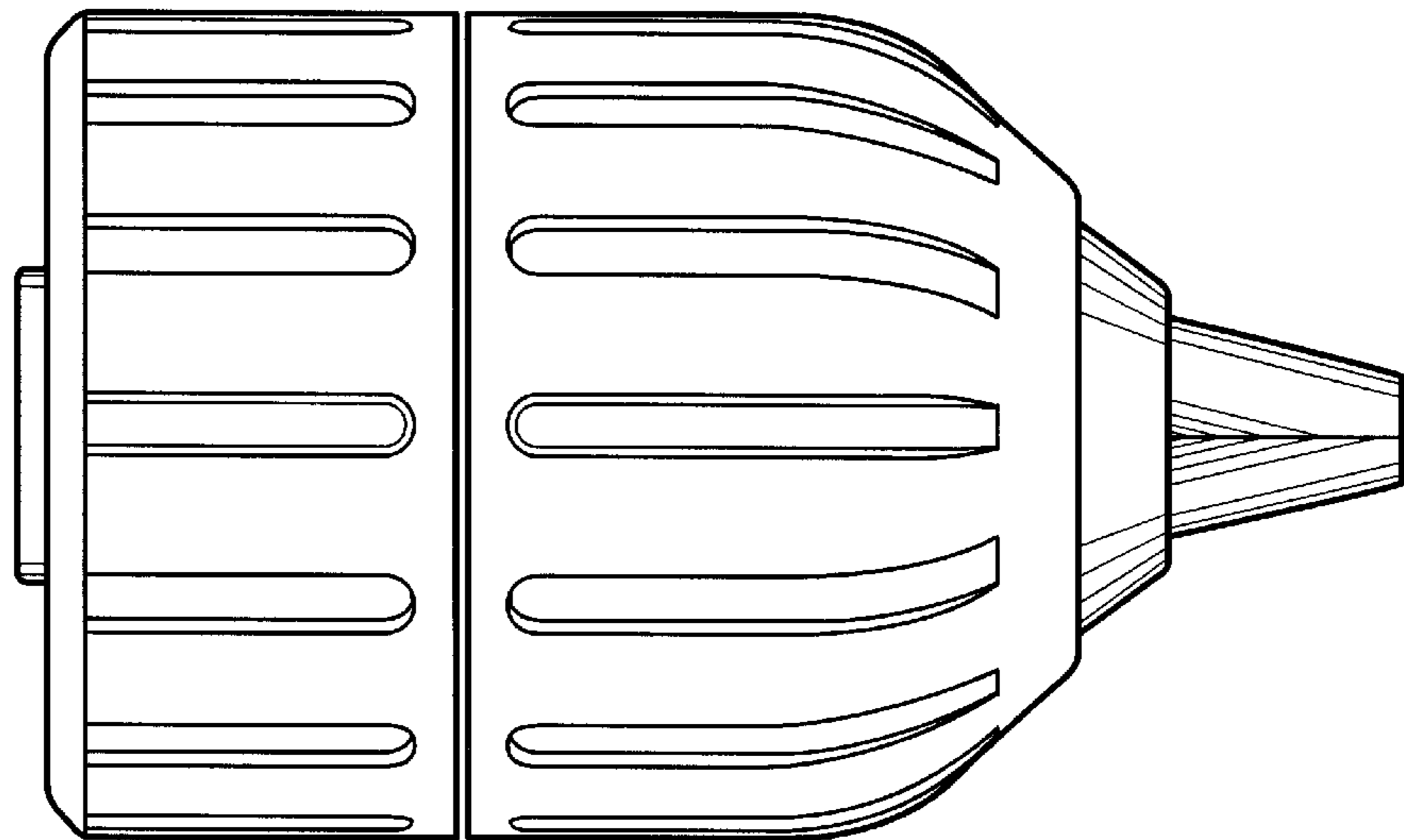


FIG. 3

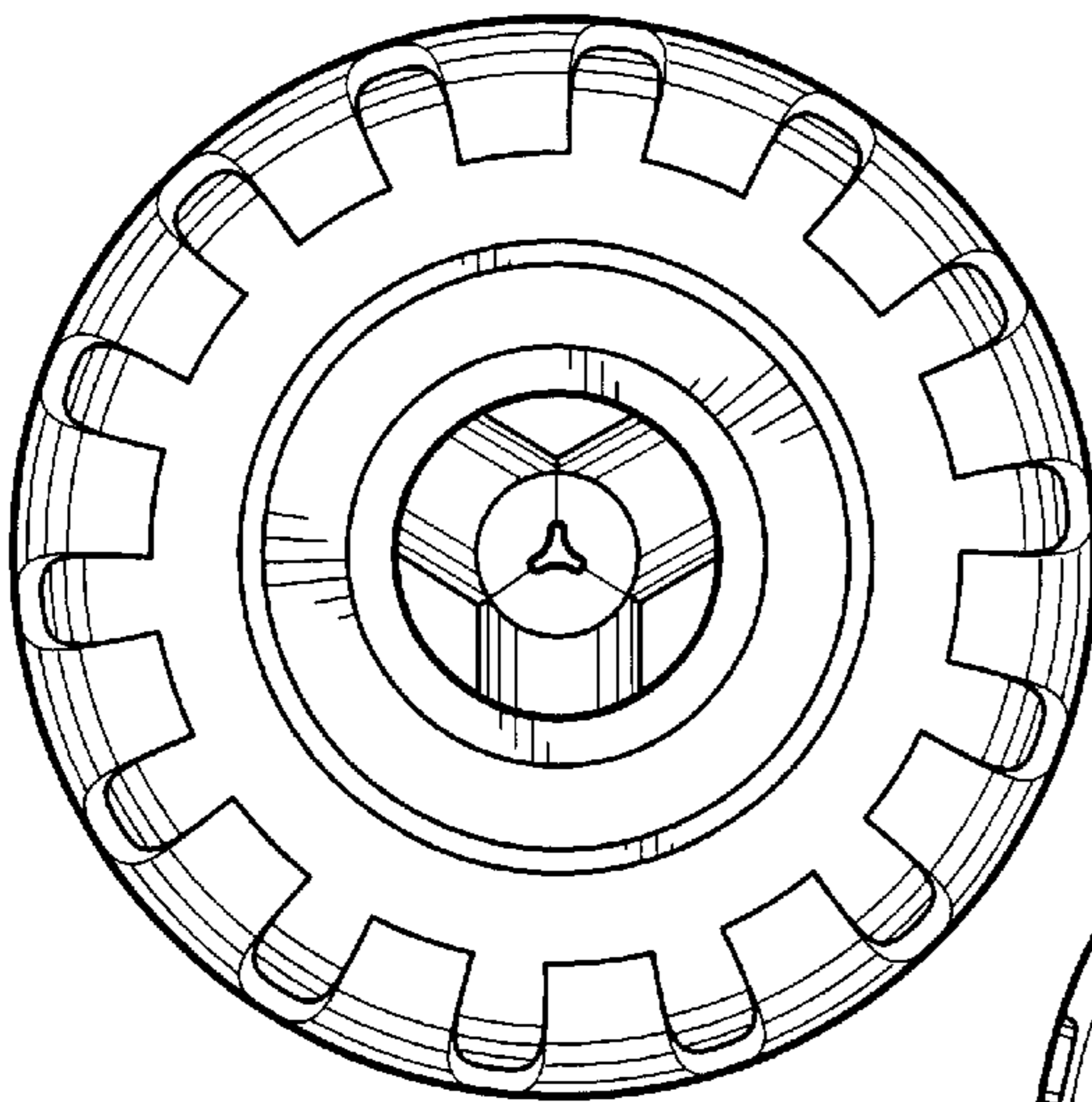


FIG. 4

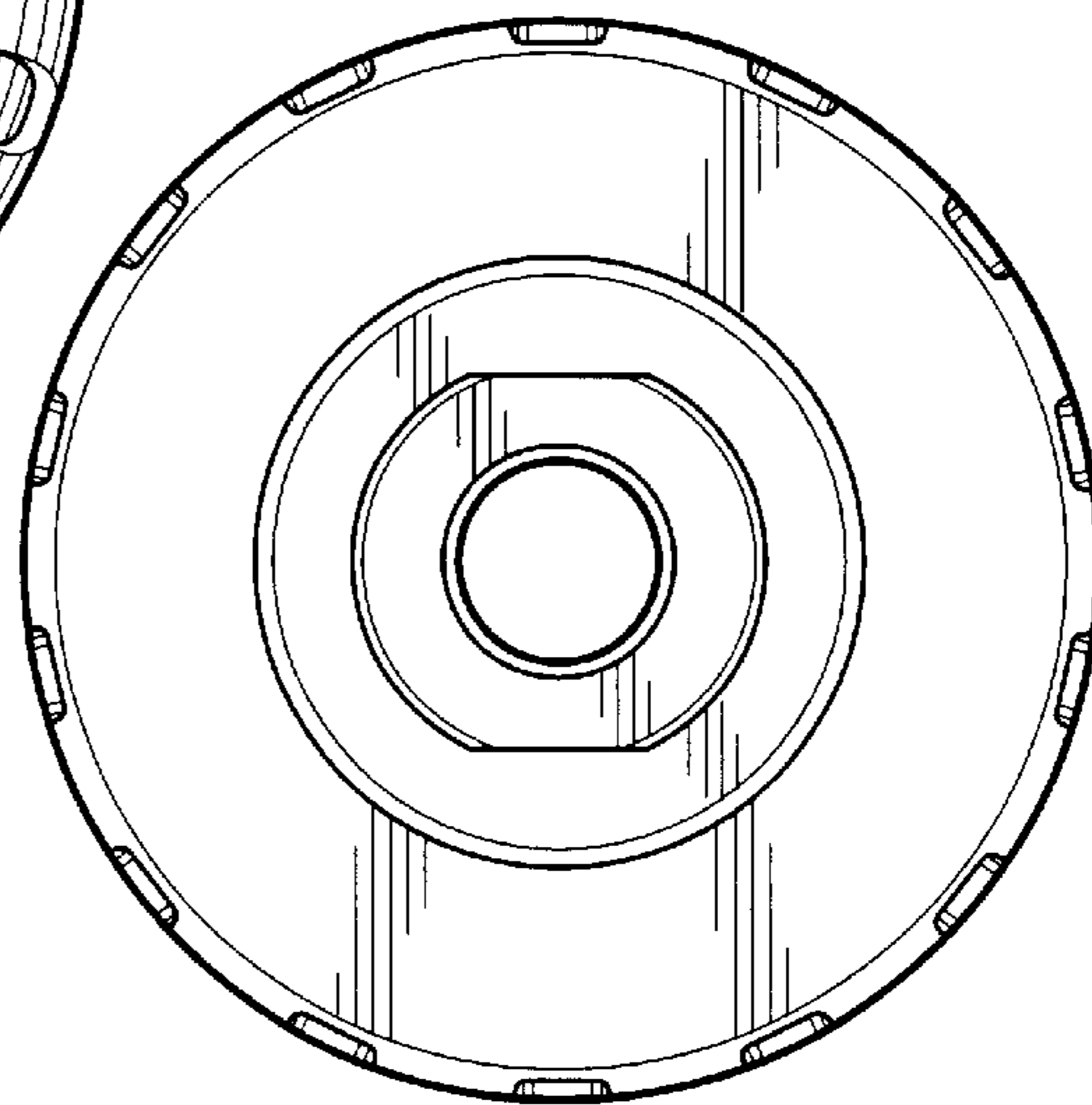


FIG. 5