



US00D462240S

(12) **United States Design Patent**
Omdoll

(10) **Patent No.:** **US D462,240 S**

(45) **Date of Patent:** **** Sep. 3, 2002**

(54) **CONDIMENT DISPENSER**

(75) Inventor: **Paul A. Omdoll**, Waukesha, WI (US)

(73) Assignee: **The Colman Group, Inc.**, Elkhorn, WI (US)

(**) Term: **14 Years**

(21) Appl. No.: **29/138,317**

(22) Filed: **Mar. 9, 2001**

(51) **LOC (7) Cl.** **07-06**

(52) **U.S. Cl.** **D7/590**

(58) **Field of Search** D7/590, 602, 629,
D7/538-548; 220/780-783, 792-799, 805

(56) **References Cited**

U.S. PATENT DOCUMENTS

D220,448 S	*	4/1971	Swett et al.	D7/629
D269,934 S	*	8/1983	Hawkins et al.	D7/590
D286,730 S	*	11/1986	Tzifkansky et al.	D7/629 X
D332,204 S	*	1/1993	Carlson	D7/629
D332,895 S	*	2/1993	Salzmann	D7/629 X

OTHER PUBLICATIONS

Gourmet San Jamar Catalog; p. 22.

* cited by examiner

Primary Examiner—Terry A. Wallace

(74) *Attorney, Agent, or Firm*—Godfrey & Kahn, S.C.

(57) **CLAIM**

The ornamental design of a condiment dispenser, as shown and described.

DESCRIPTION

FIG. 1 is a perspective view of a condiment dispenser showing the new design with the lid partially open;

FIG. 2 is a plan view of the condiment dispenser of FIG. 1 with the lid partially open;

FIG. 3 is an side elevation view of the condiment dispenser of FIG. 1 with the lid partially open;

FIG. 4 is a front elevation view of the condiment dispenser of FIG. 1;

FIG. 5 is a perspective view of a second embodiment of a condiment dispenser showing the new design with the lid partially open;

FIG. 6 is a plan view of the condiment dispenser of FIG. 5;

FIG. 7 is a side elevation view of the condiment dispenser of FIG. 5 with the lid partially open;

FIG. 8 is a front elevation view of the condiment dispenser of FIG. 5;

FIG. 9 is a perspective view of a third embodiment of a condiment dispenser showing the new design with the lid partially open;

FIG. 10 is a plan view of the condiment dispenser of FIG. 9;

FIG. 11 is a side elevation view of the condiment dispenser of FIG. 9 with the lid partially open;

FIG. 12 is a front elevation view of the condiment dispenser of FIG. 9;

FIG. 13 is a perspective view of a fourth embodiment of a condiment dispenser showing the new design with the lid partially open;

FIG. 14 is a plan view of the condiment dispenser of FIG. 13;

FIG. 15 is a side elevation view of the condiment dispenser of FIG. 13 with the lid partially open;

FIG. 16 is a front elevation view of the condiment dispenser of FIG. 13;

FIG. 17 is a perspective view of a fifth embodiment of a condiment dispenser showing the new design with the lid partially open;

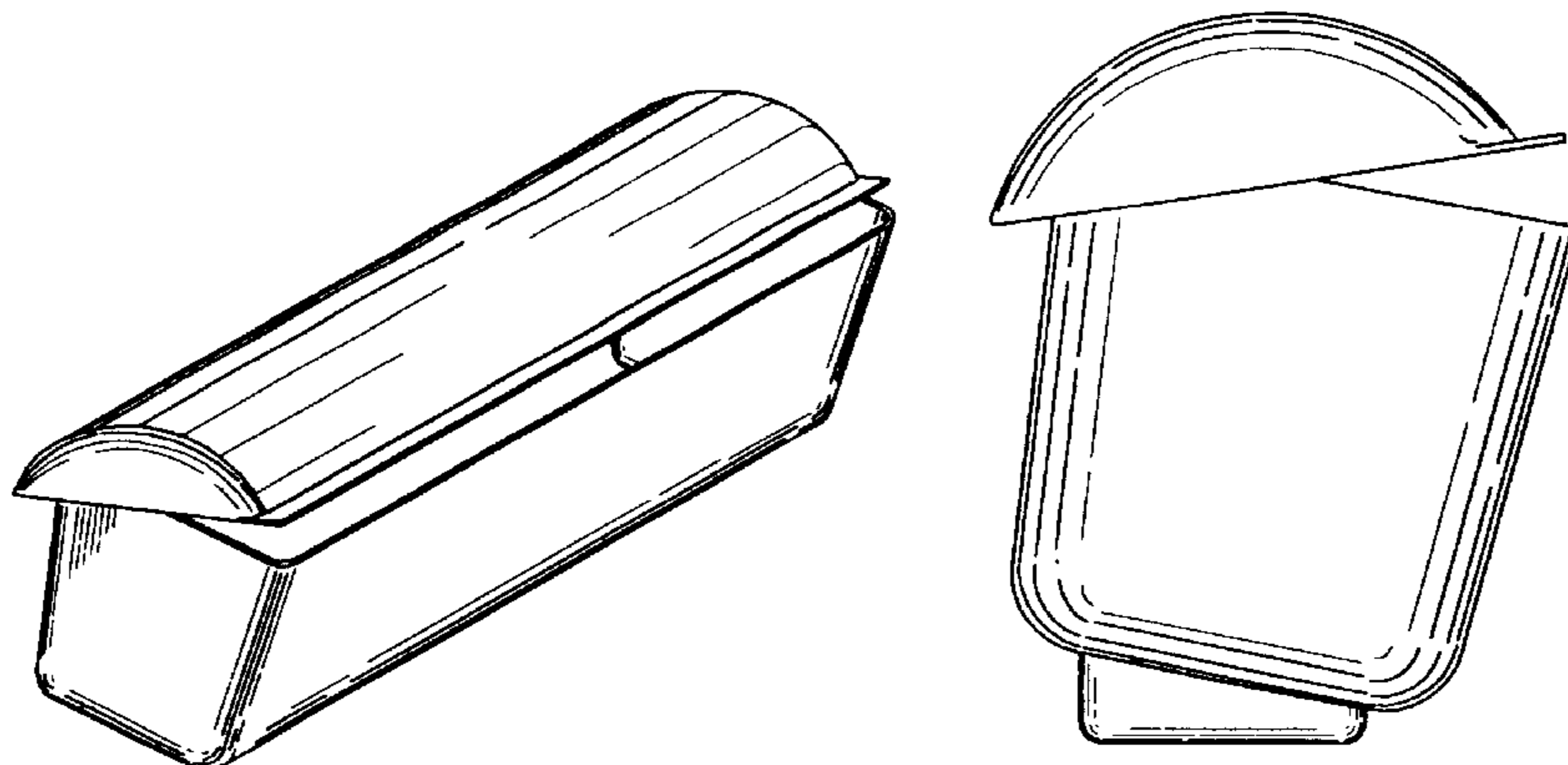
FIG. 18 is a plan view of the condiment dispenser of FIG. 17 with the lid partially open;

FIG. 19 is a side elevation view of the condiment dispenser of FIG. 17 with the lid partially open; and,

FIG. 20 is a front elevation view of the condiment dispenser of FIG. 17.

The undisclosed bottom and rear views form no part of the claimed design.

1 Claim, 5 Drawing Sheets



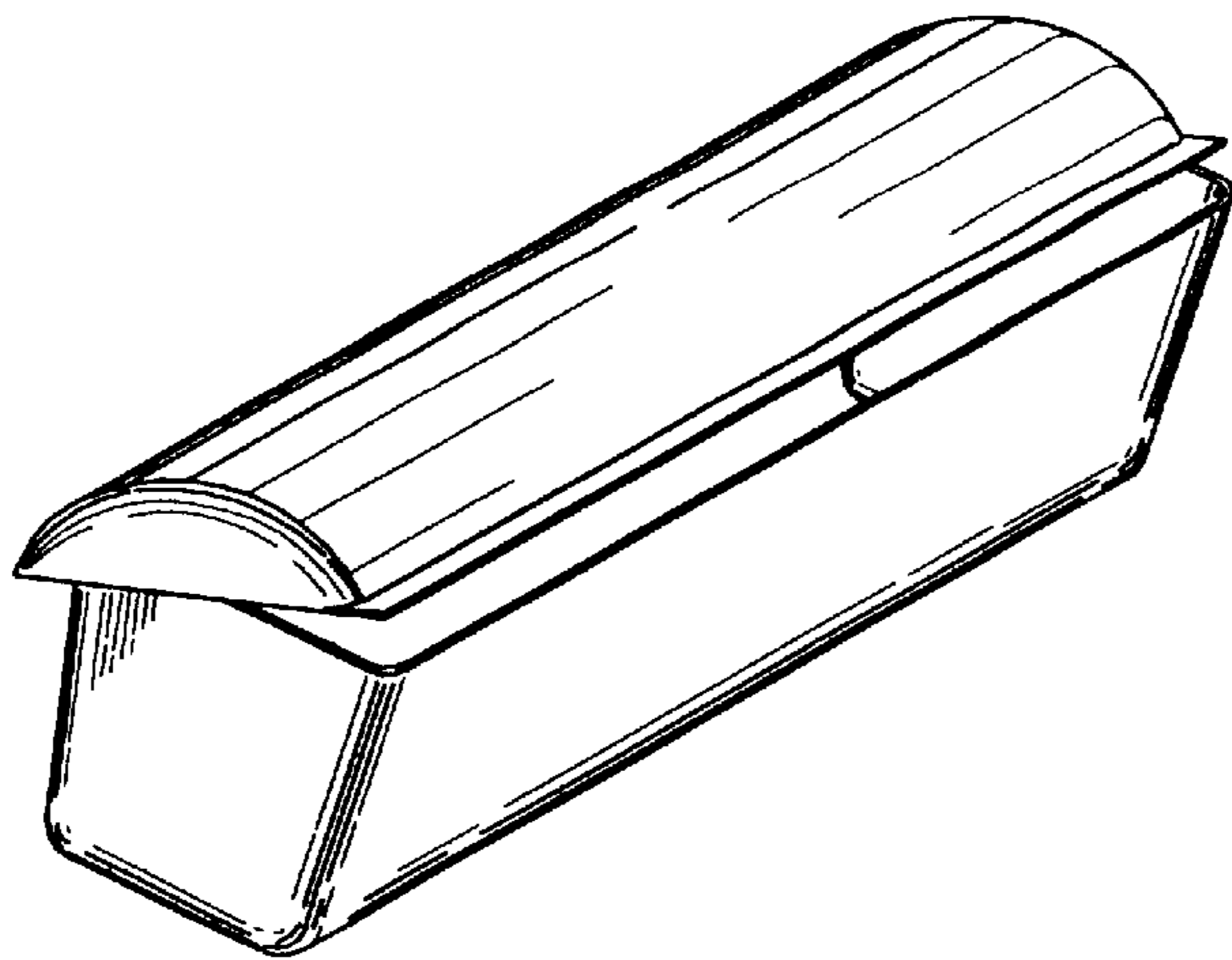


FIG. 1

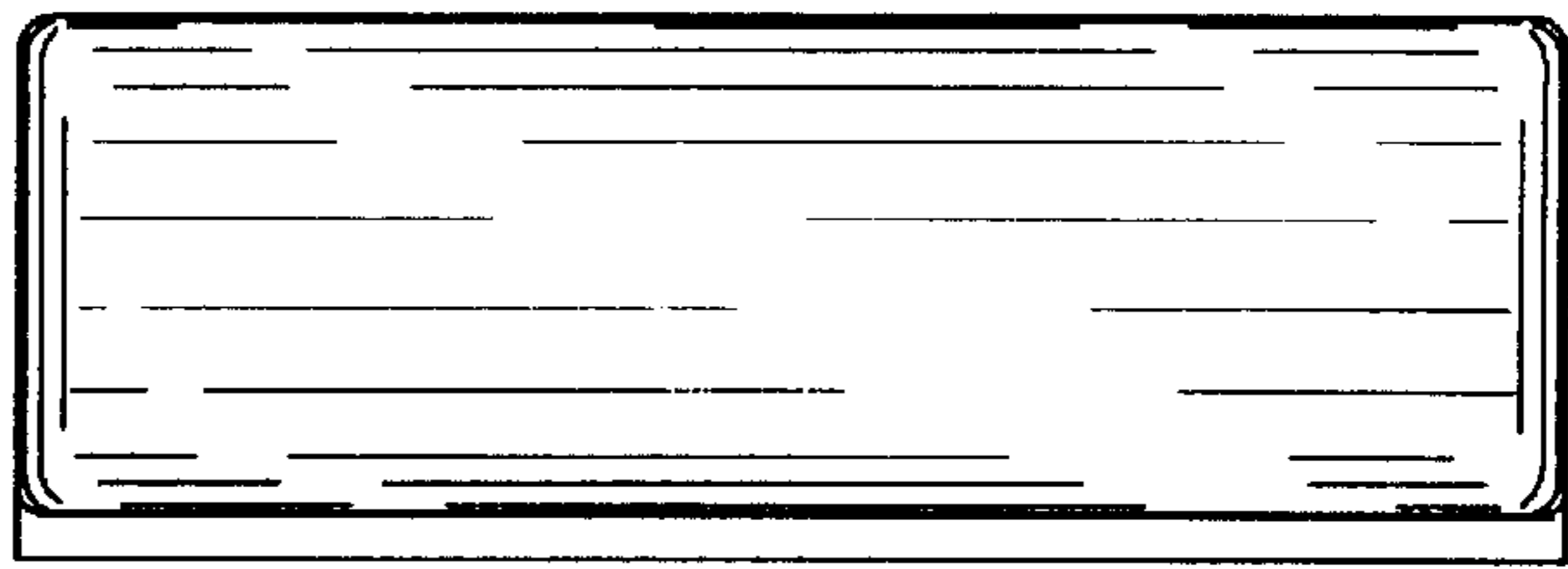


FIG. 2

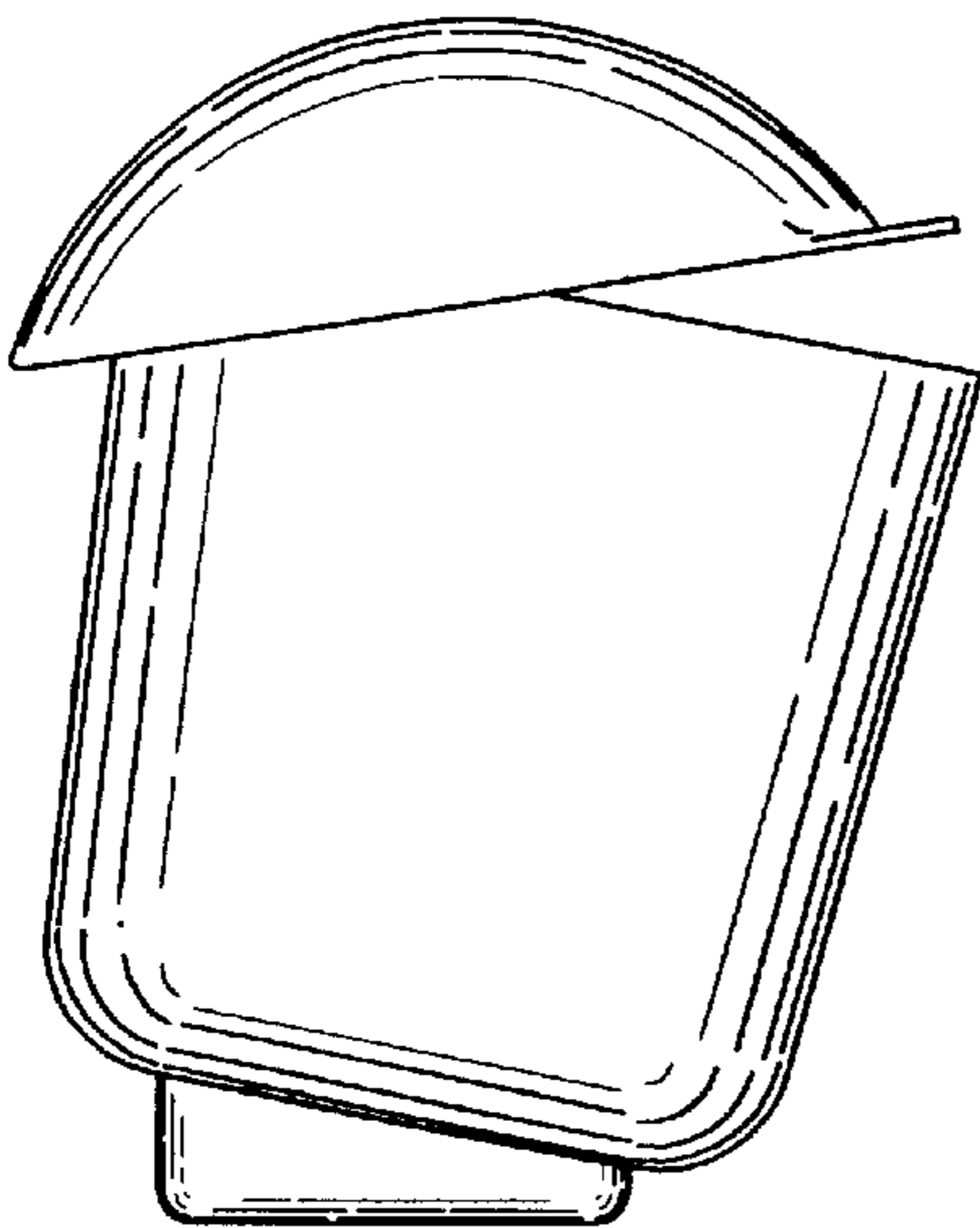


FIG. 3

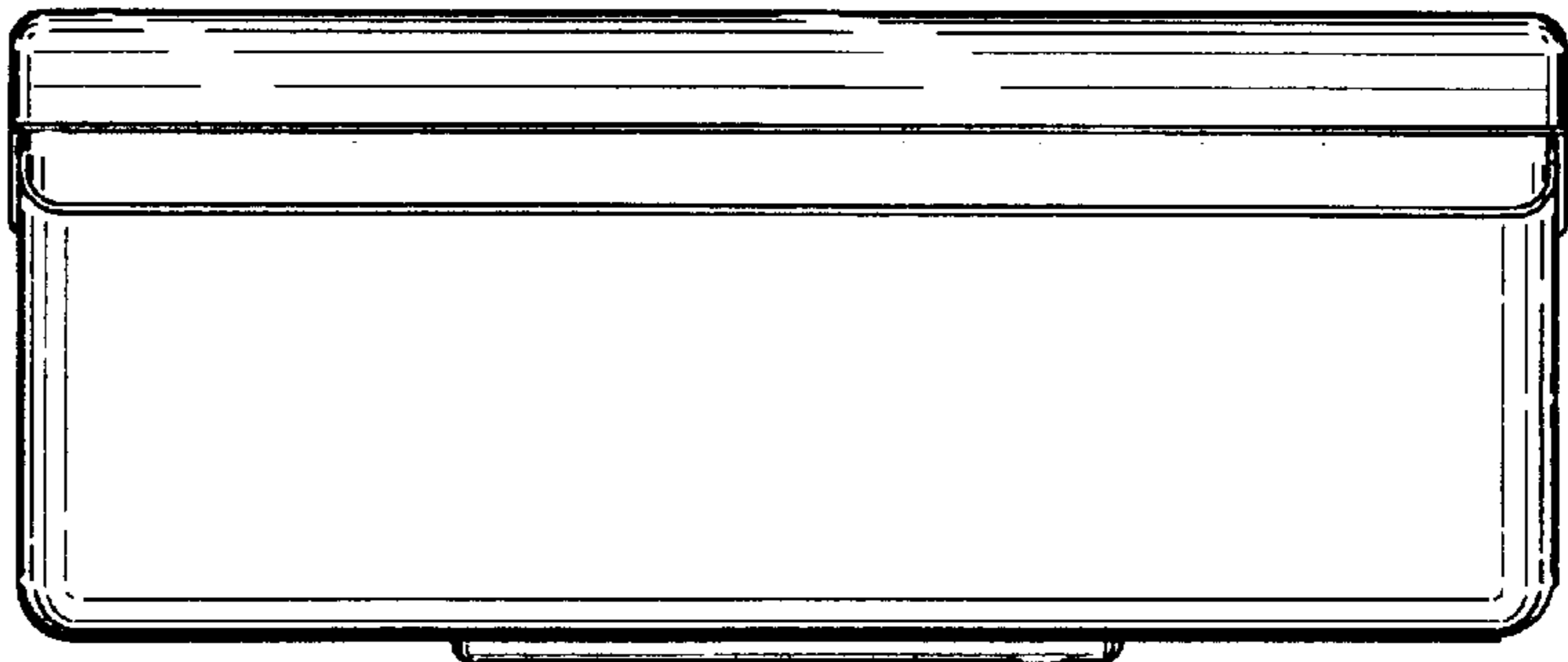


FIG. 4

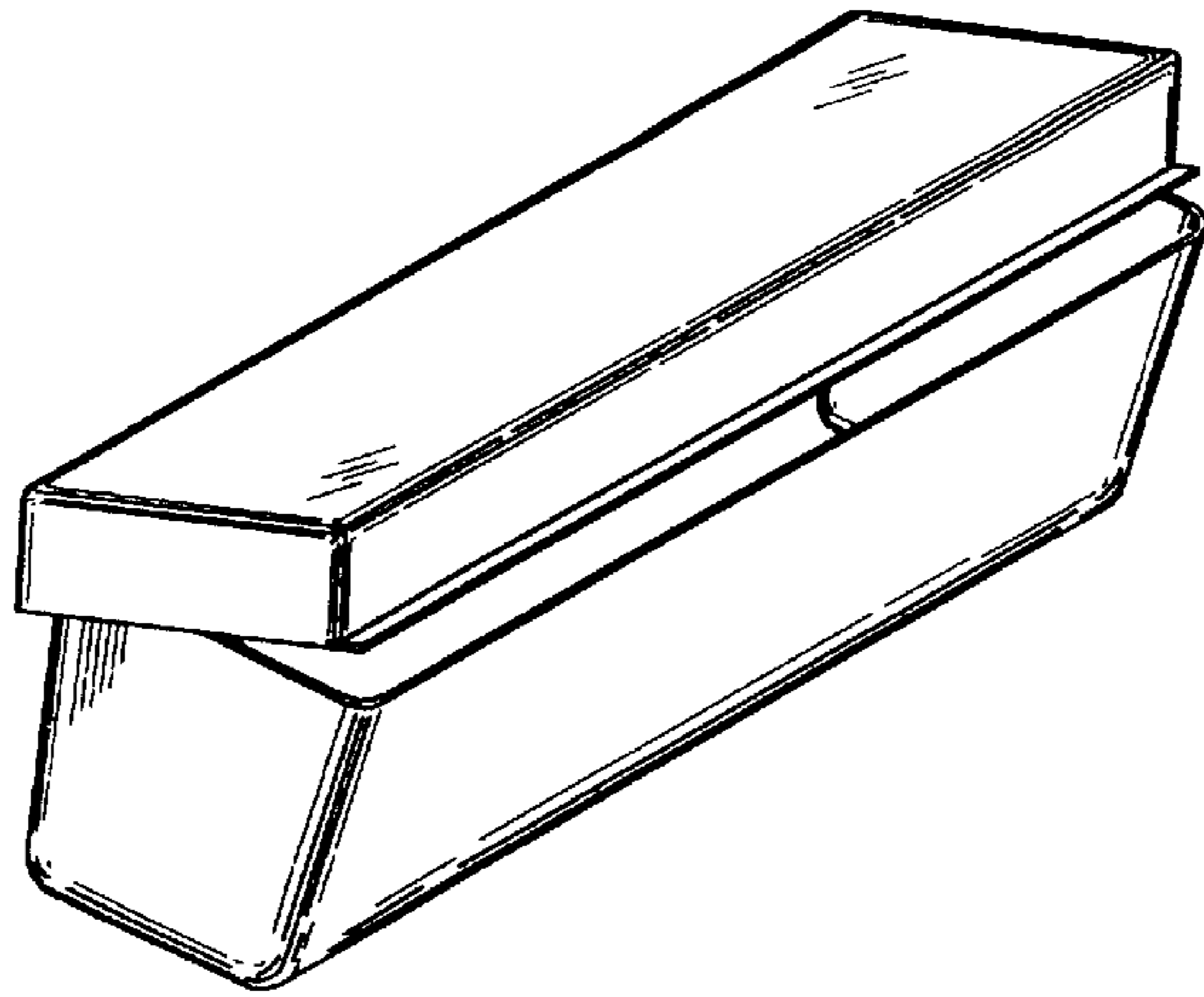


FIG. 5

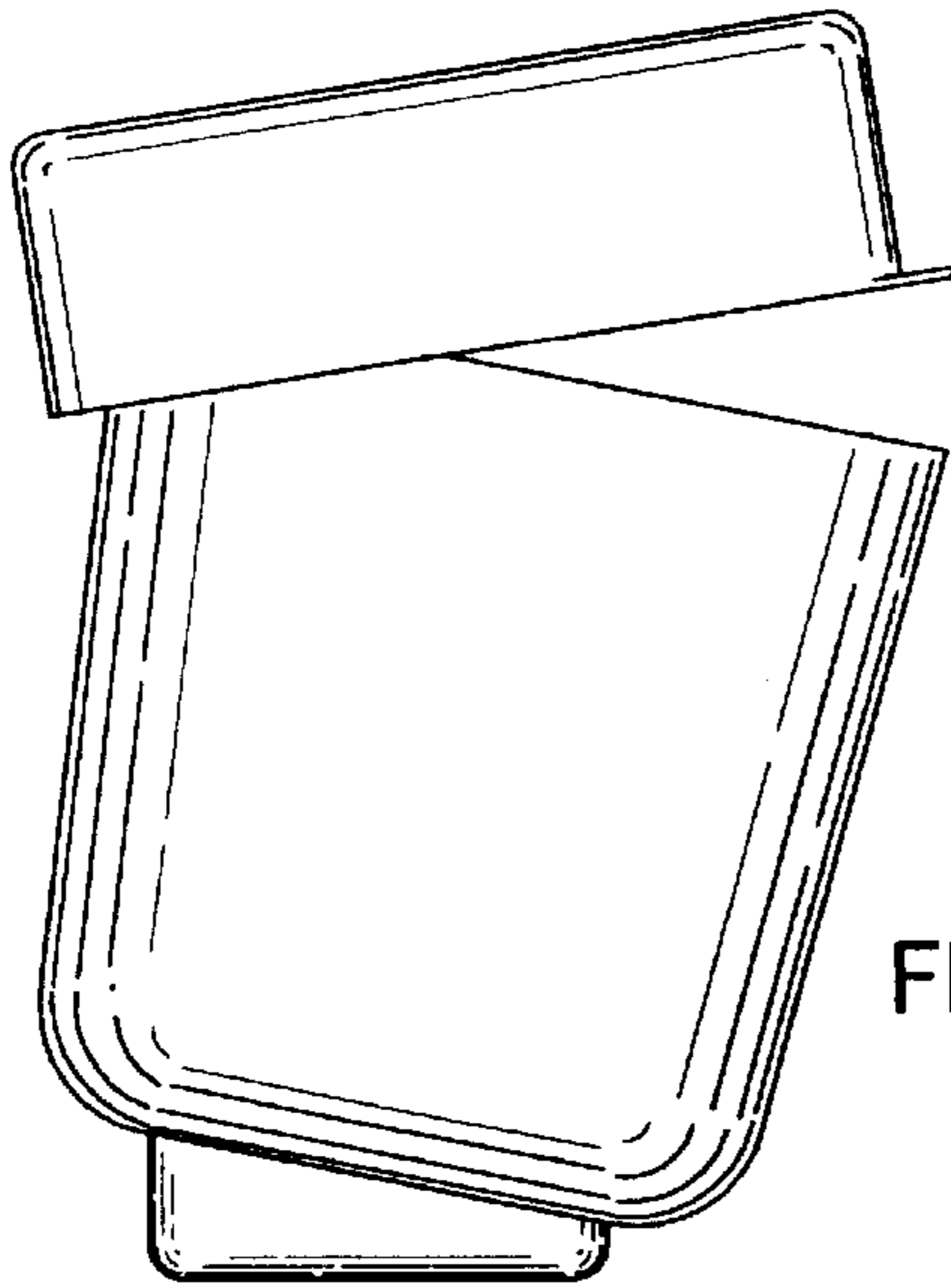


FIG. 7

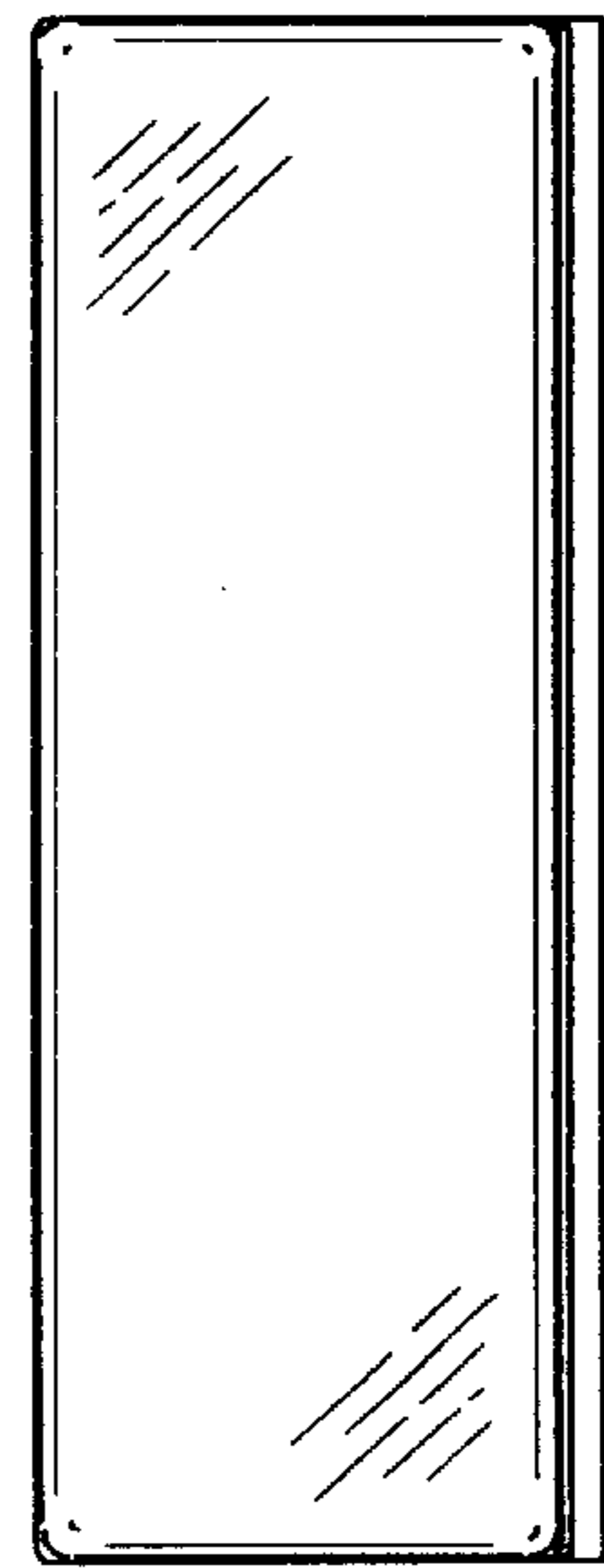


FIG. 6

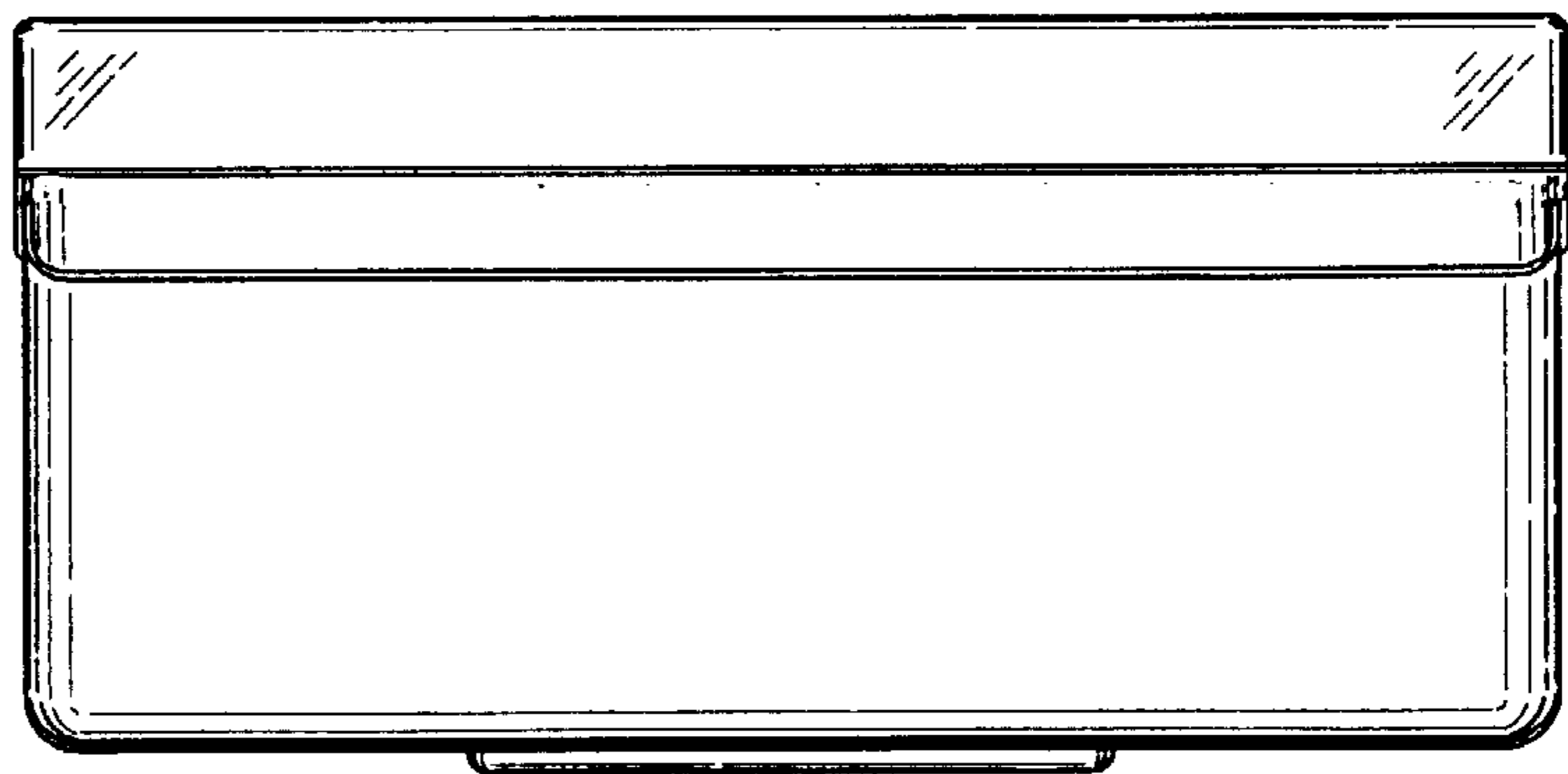


FIG. 8

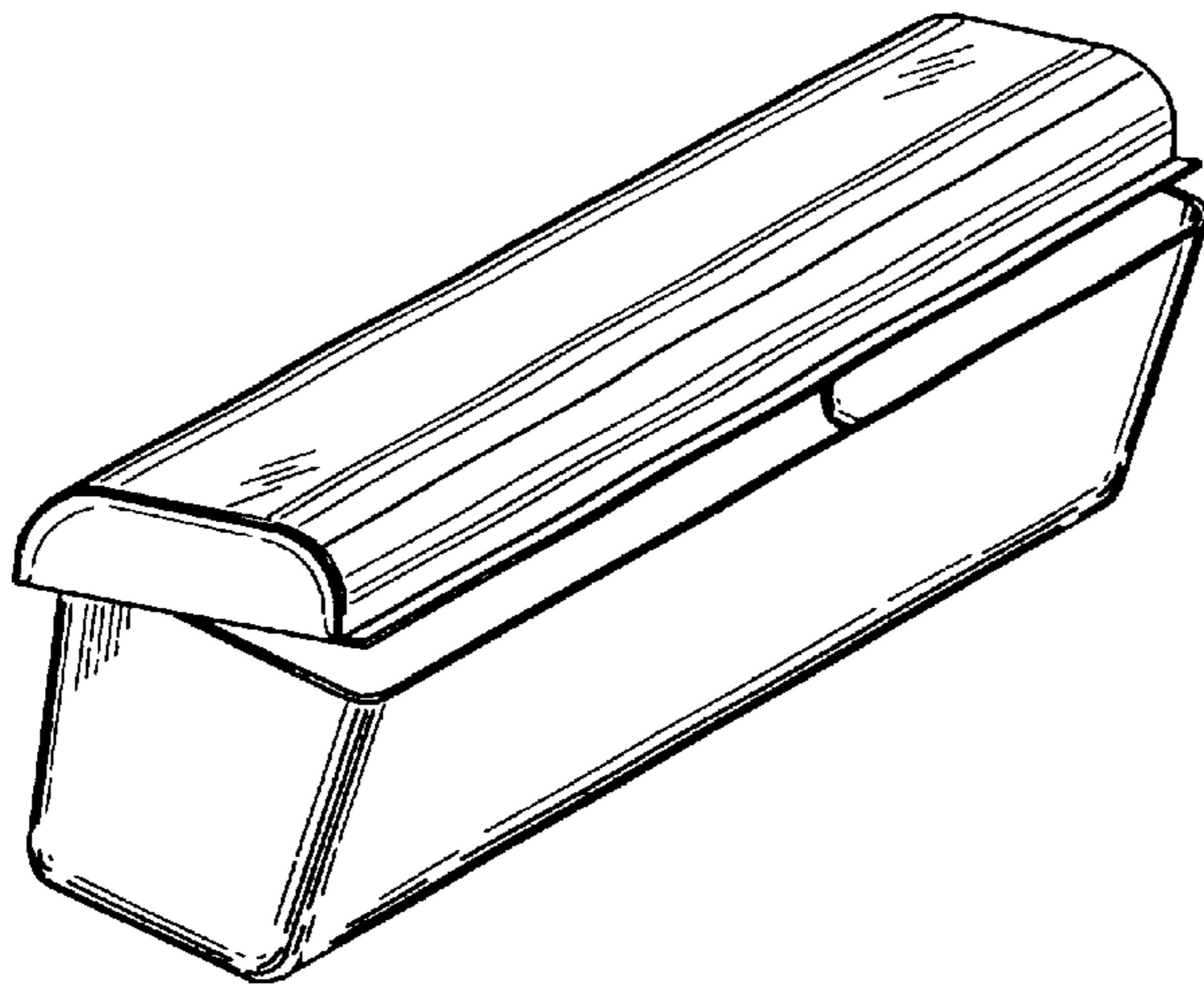


FIG. 9

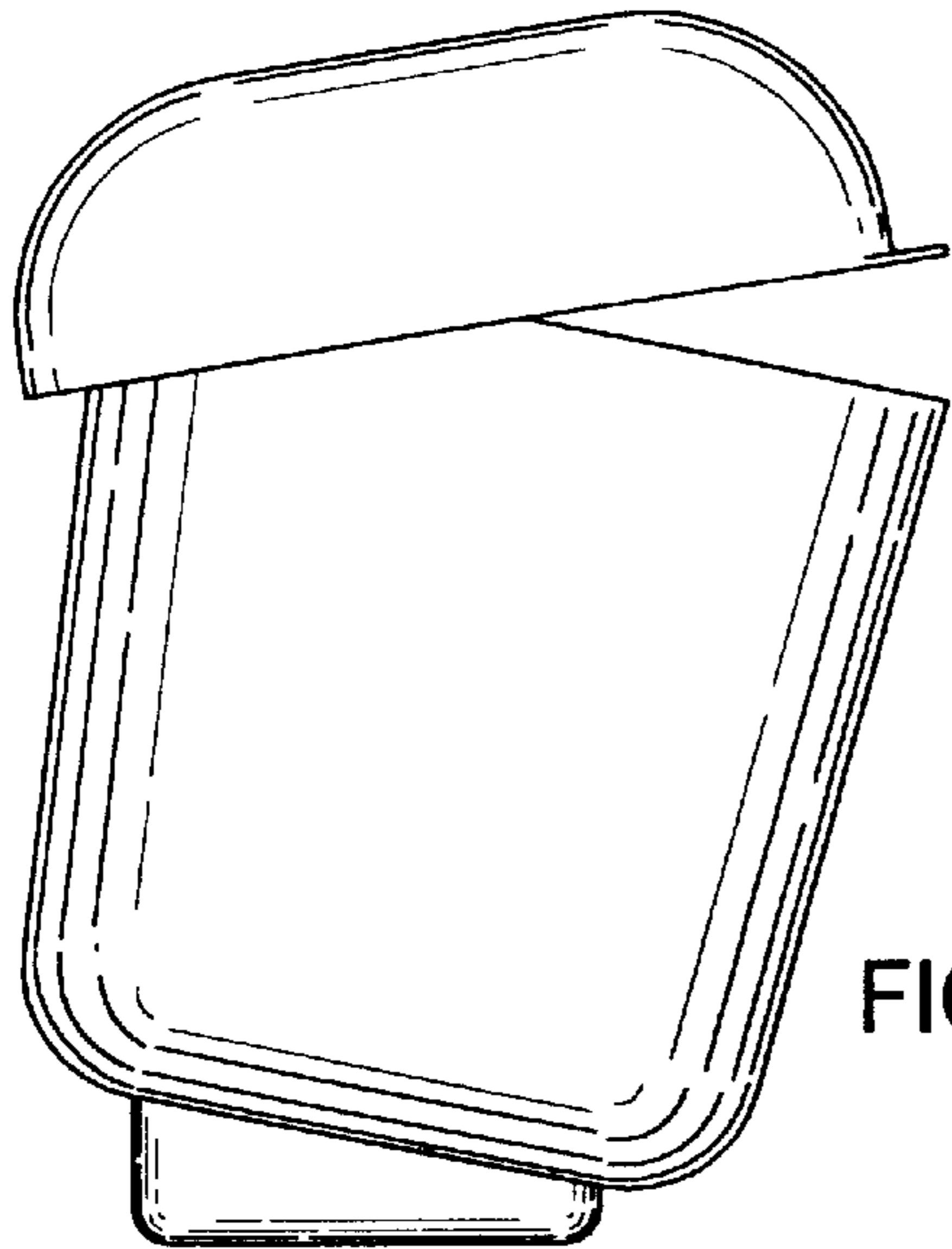


FIG. 11

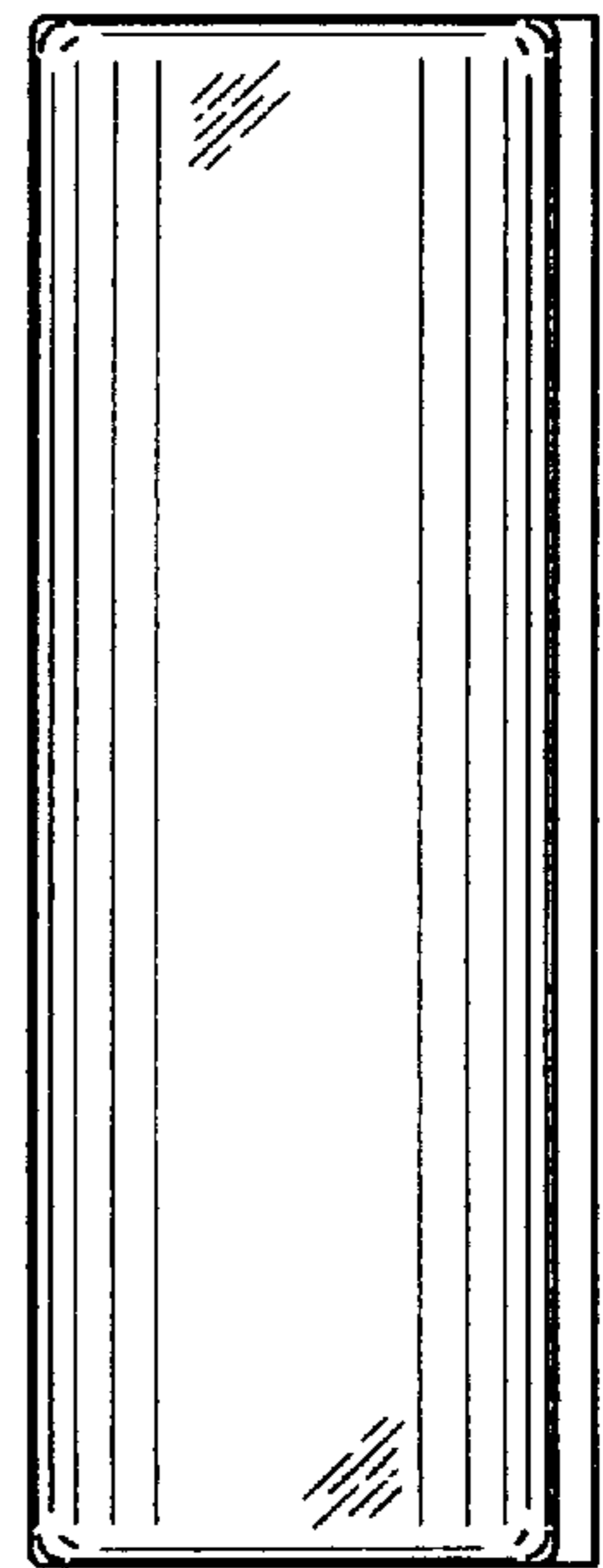


FIG. 10

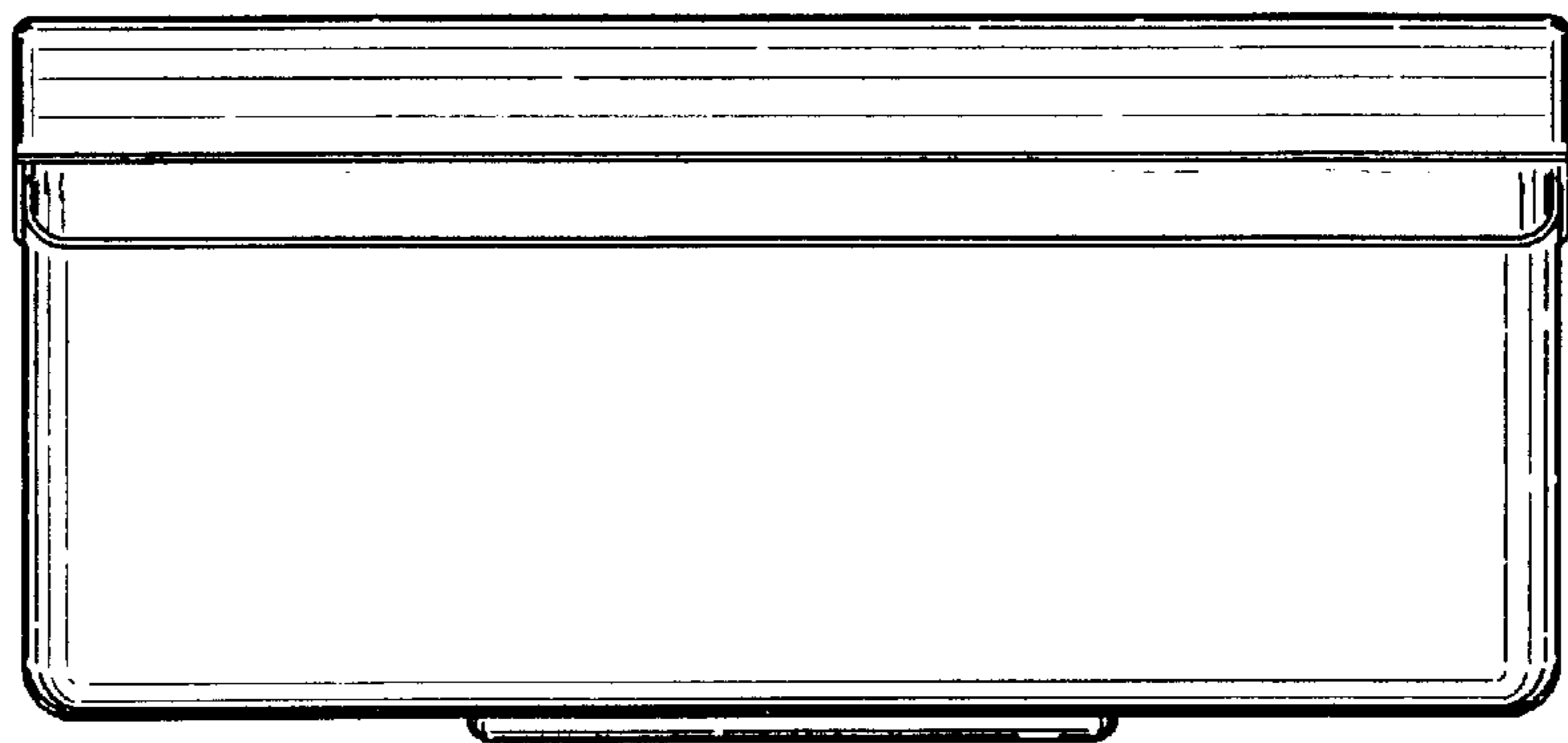


FIG. 12

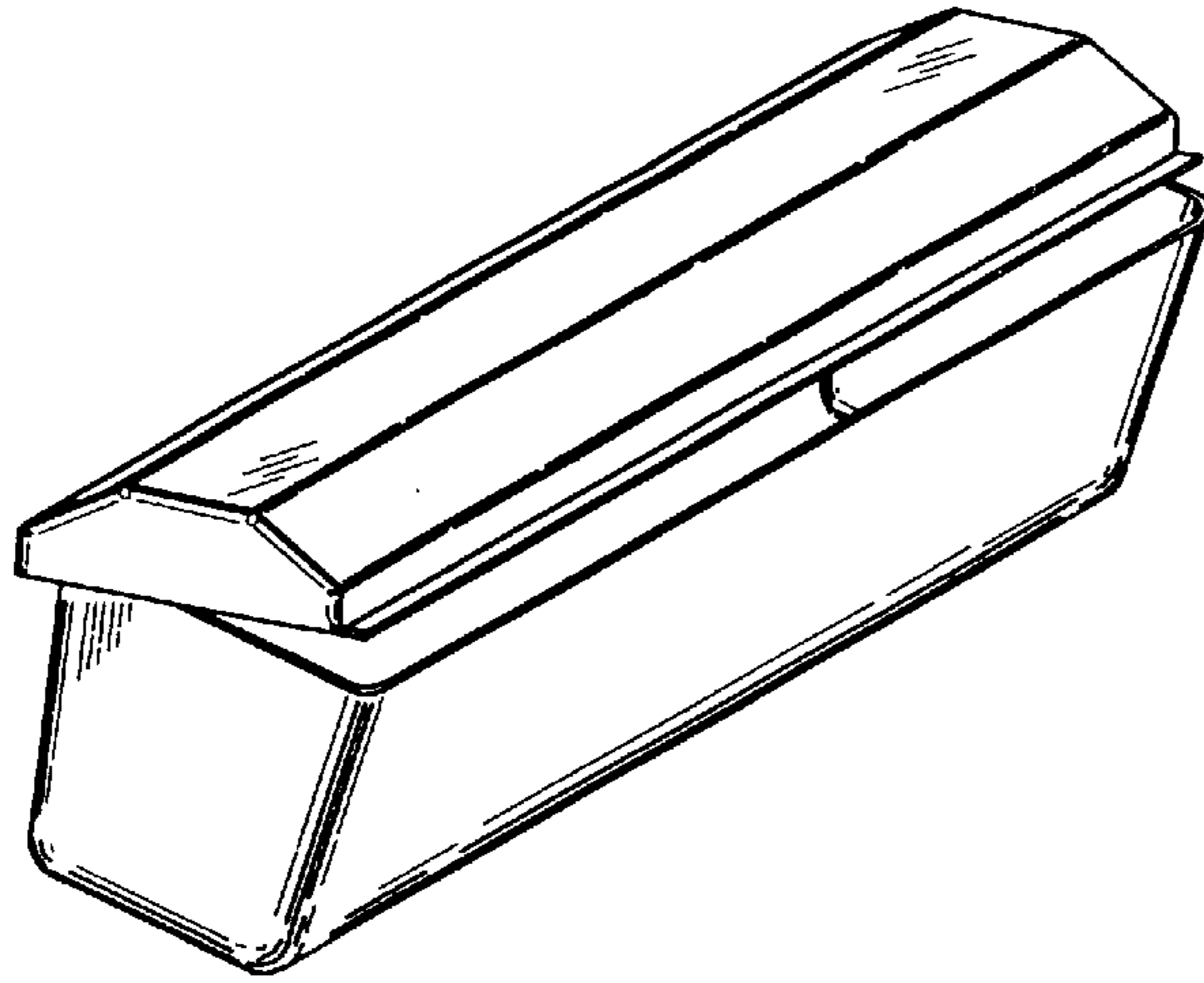


FIG. 13

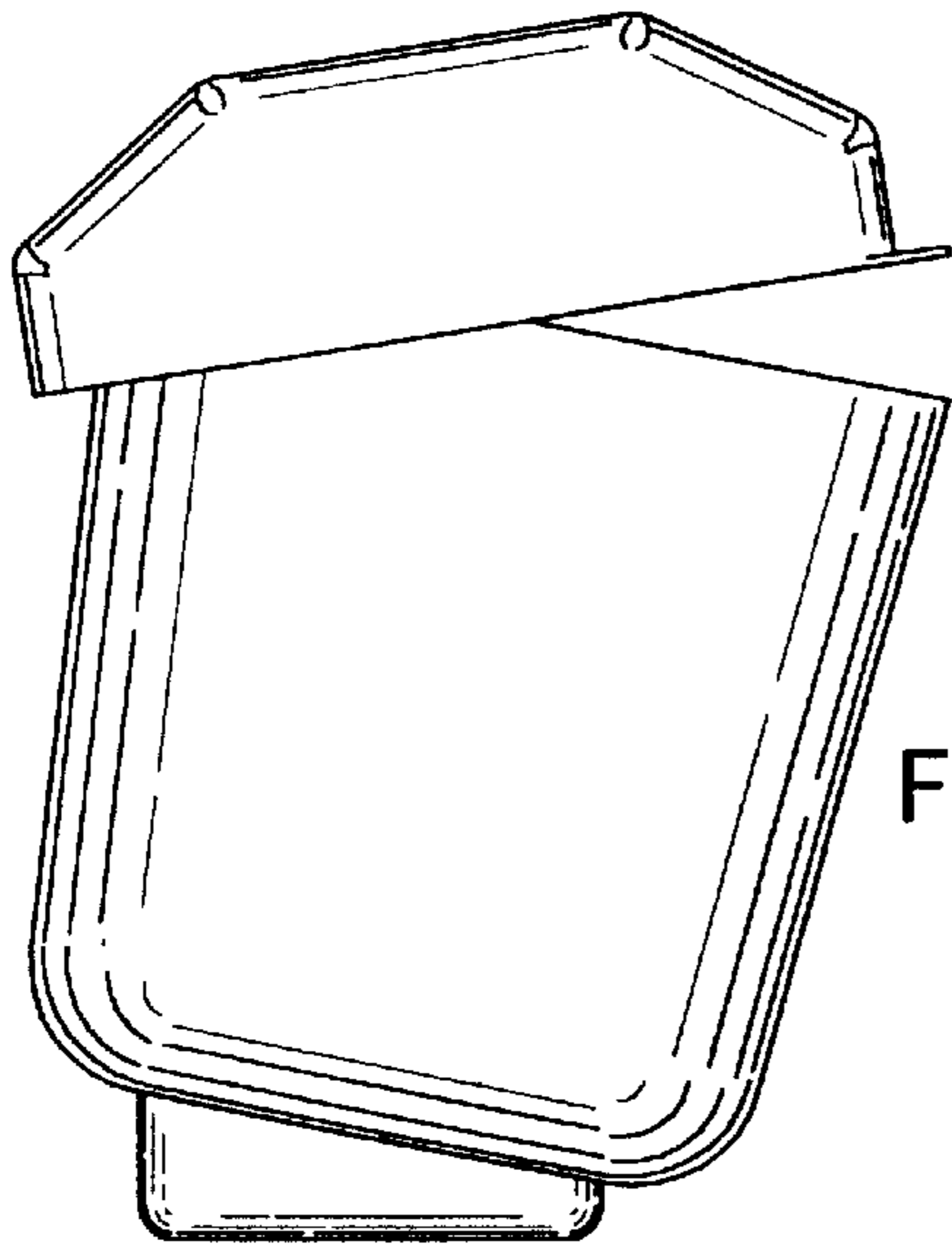


FIG. 15

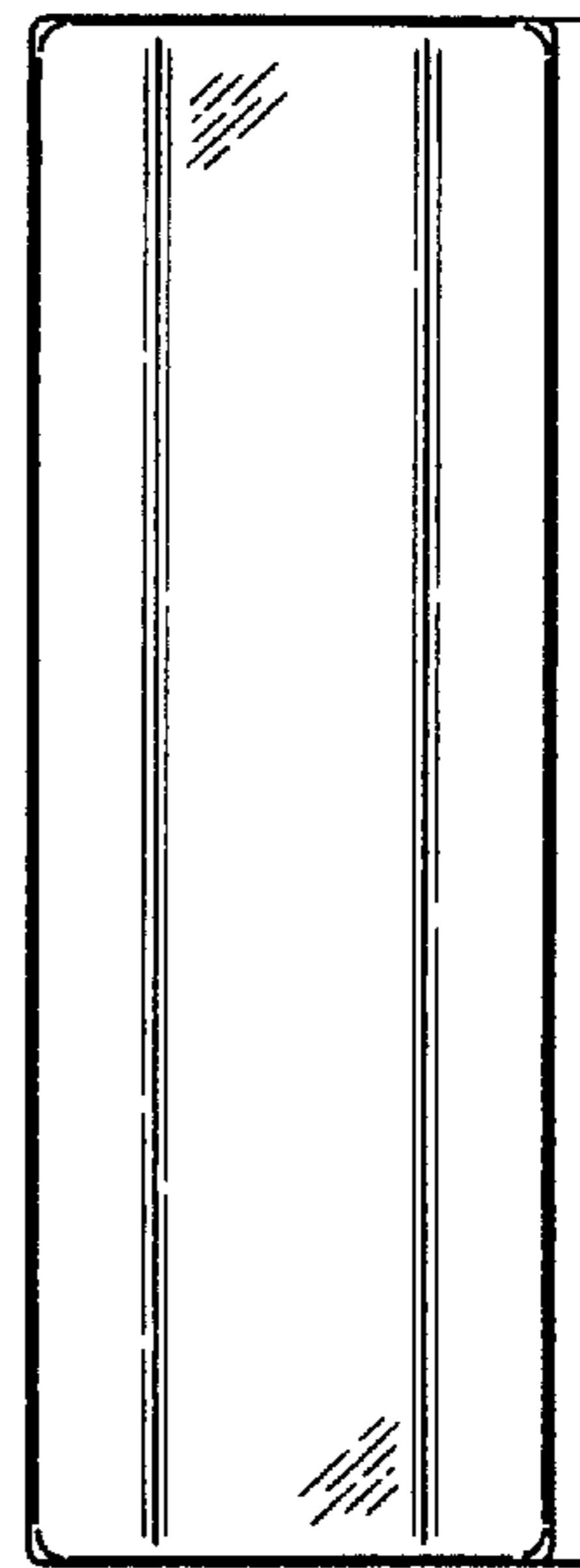


FIG. 14

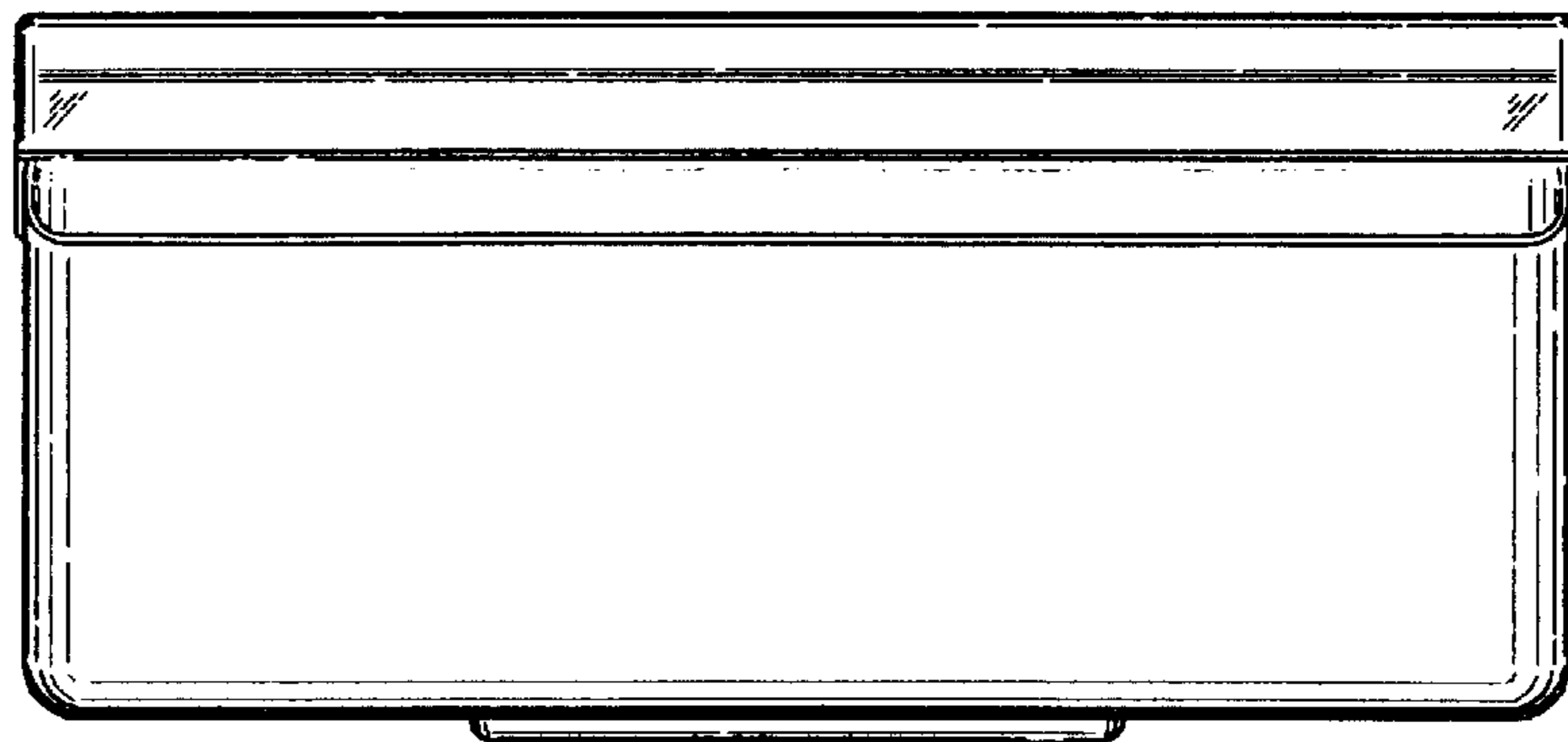


FIG. 16

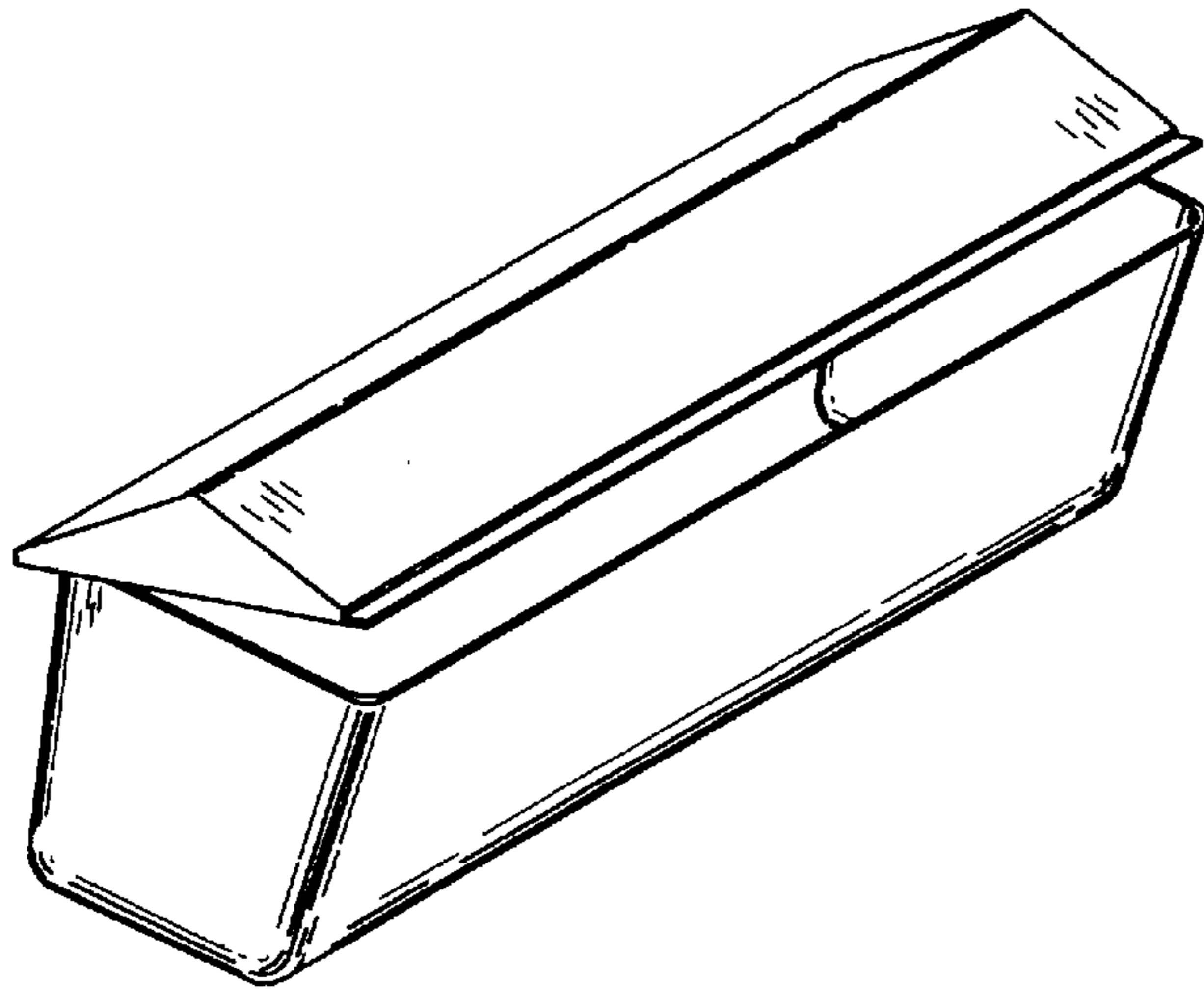


FIG. 17

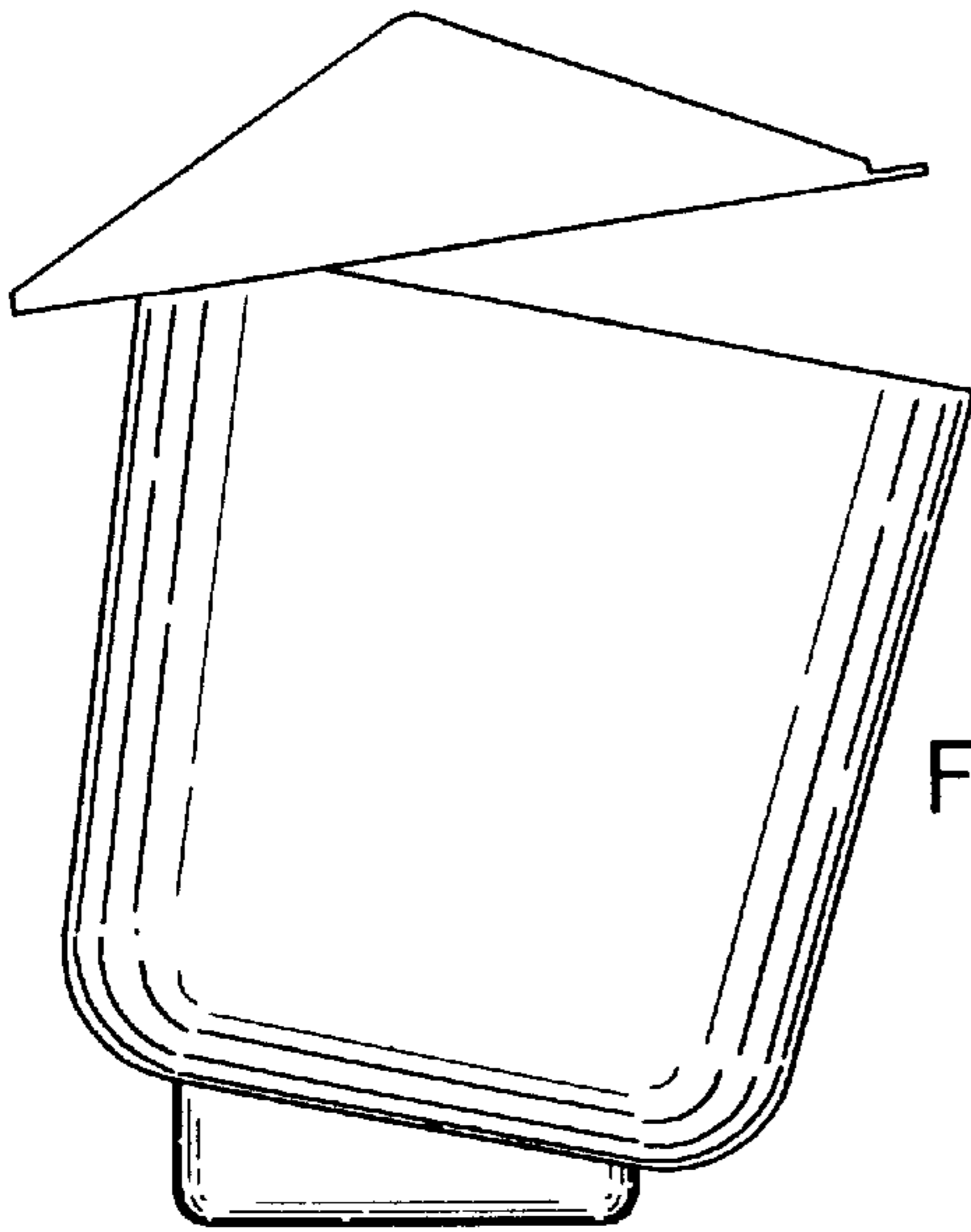


FIG. 19

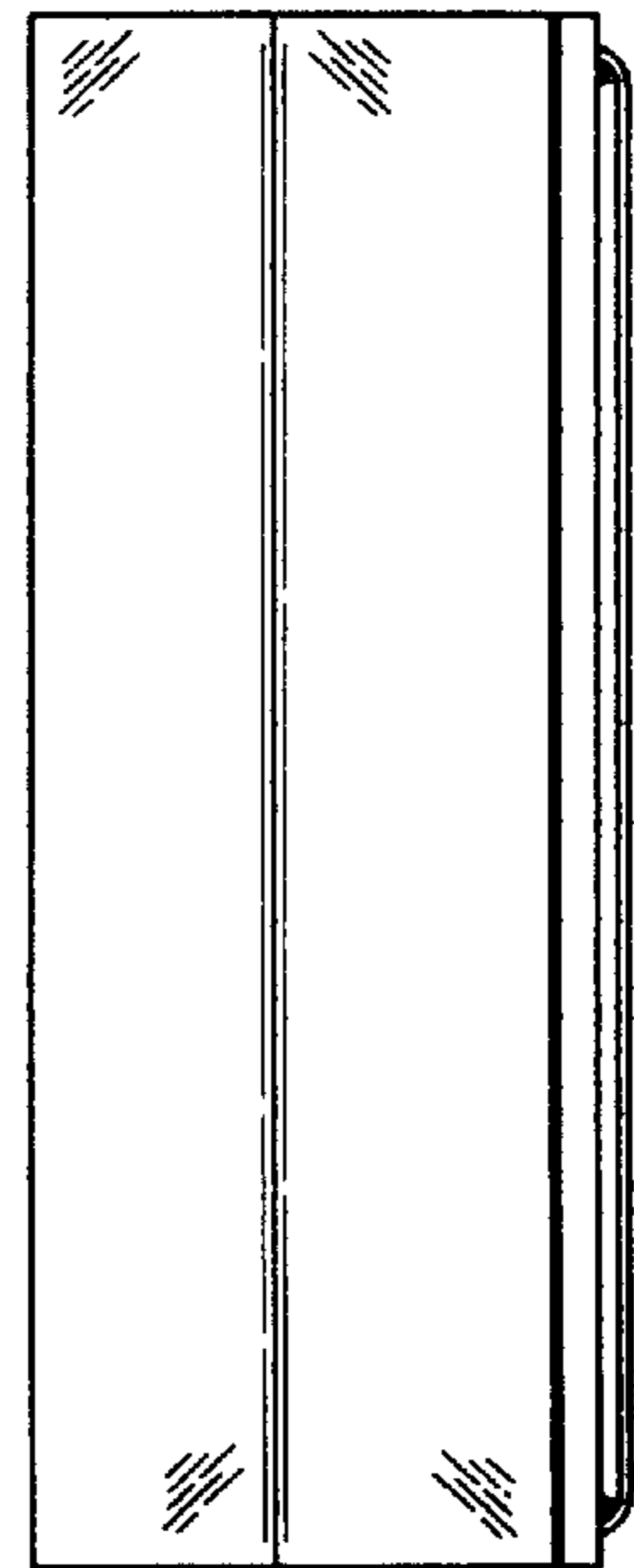


FIG. 18

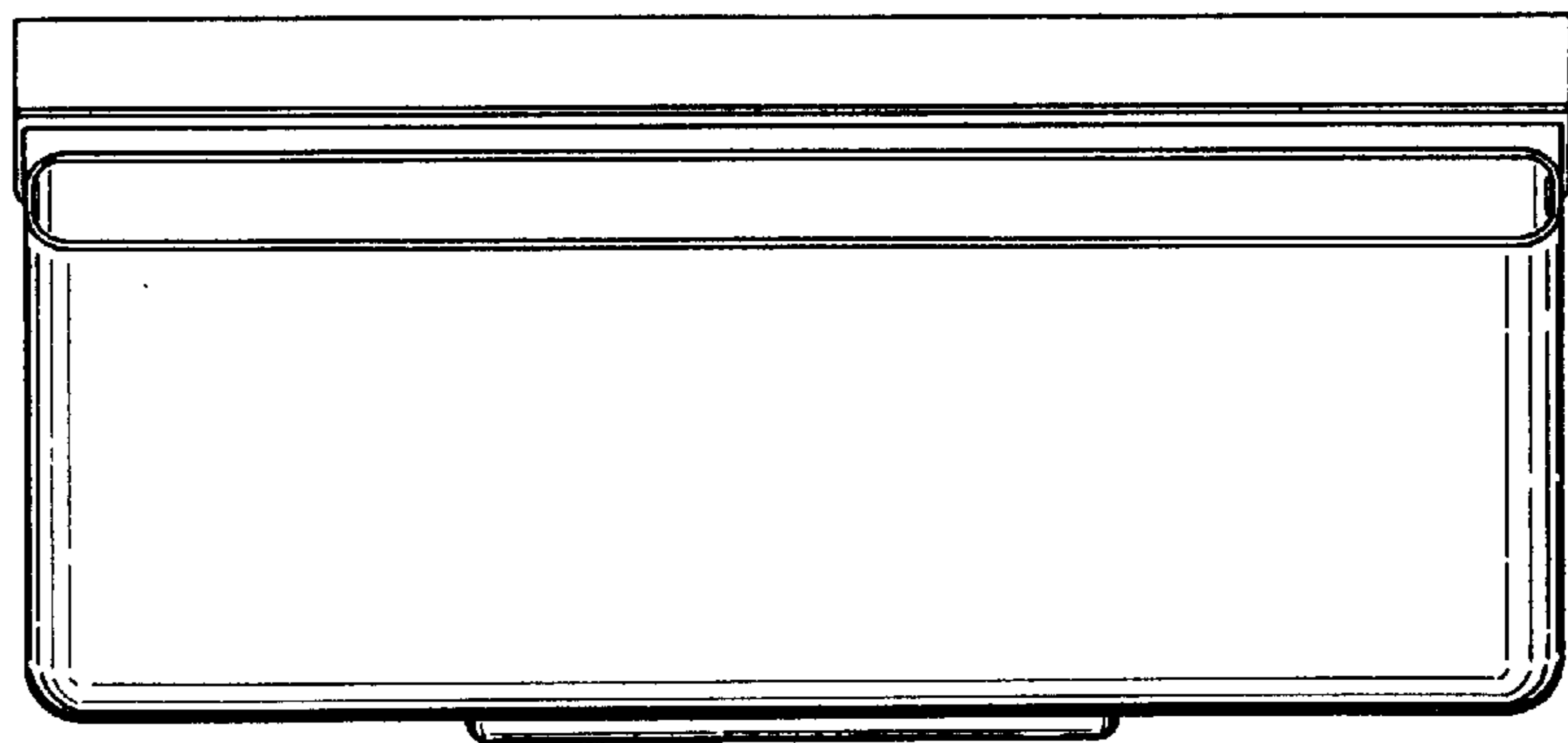


FIG. 20