



US00D462234S

(12) **United States Design Patent**  
**Alden et al.**

(10) **Patent No.: US D462,234 S**

(45) **Date of Patent: \*\* Sep. 3, 2002**

(54) **SHELF FOR AN OUTDOOR COOKING DEVICE**

(75) **Inventors: J. Michael Alden, Palatine, IL (US); Mark Johnson, Wilmette, IL (US); Robert T. Stephen, Barrington, IL (US); James C. Stephen, Arlington Heights, IL (US)**

(73) **Assignee: Weber-Stephen Products Co., Palatine, IL (US)**

(\*\*) **Term: 14 Years**

(21) **Appl. No.: 29/146,542**

(22) **Filed: Aug. 10, 2001**

(51) **LOC (7) Cl. .... 07-02**

(52) **U.S. Cl. .... D7/402**

(58) **Field of Search** ..... D7/332-337, 402-405, D7/339, 406; 126/25 R, 25 A, 25 AA, 29-30, 33, 38, 41 R, 9 R, 9 B; 99/421 H, 419, 427, 449, 340, 357, 339; D6/491, 492, 494, 511; 219/452.13

(56) **References Cited**

**U.S. PATENT DOCUMENTS**

1,964,805 A	7/1934	Barnes	126/268
D145,897 S	11/1946	Hathaway	D81/10
D183,621 S	9/1958	Levin	D14/3
2,888,544 A	5/1959	Kesling	219/37
2,907,316 A	10/1959	Windust	126/9
3,586,518 A	6/1971	Folmar	99/259
3,802,413 A	4/1974	Pepin	126/25
4,321,857 A	3/1982	Best	99/340
4,677,964 A	7/1987	Lohmeyer et al.	126/41 R
D293,067 S	12/1987	Stephen et al.	D7/334
4,886,045 A	12/1989	Ducate, Jr. et al.	126/41 R
4,895,068 A	1/1990	Hanagan et al.	99/357
4,924,846 A	5/1990	Peacock et al.	126/41 R

D316,355 S	4/1991	Stephen et al.	D7/339
5,088,470 A	2/1992	James, Jr. et al.	126/41 R
D327,390 S	6/1992	Schlosser et al.	D7/334
5,163,358 A	11/1992	Hanagan et al.	99/339
5,483,947 A	1/1996	Giebel et al.	126/41 R
D377,734 S *	2/1997	Bird et al.	D7/402
D395,378 S *	6/1998	Schlosser et al.	D7/403
5,765,469 A	6/1998	Schlosser et al.	99/337
D404,963 S *	2/1999	Schlosser et al.	D7/334
D413,229 S *	8/1999	Hopkins et al.	D7/406
5,943,183 A	8/1999	Schlosser et al.	99/385
6,131,562 A *	10/2000	Schlosser et al.	126/41 R
6,142,140 A	11/2000	Shumaker	126/9 B
D436,004 S *	1/2001	Wagner	D7/402
D443,179 S *	6/2001	Wagner	D7/406
6,257,130 B1 *	7/2001	Schlosser	99/482
6,308,616 B1 *	10/2001	Johnson	99/339

\* cited by examiner

*Primary Examiner*—Ruth McInroy

(74) *Attorney, Agent, or Firm*—Wallenstein & Wagner, Ltd.

(57) **CLAIM**

We claim the ornamental design for a shelf for an outdoor cooking device, as shown and described.

**DESCRIPTION**

FIG. 1 is a perspective view of a shelf for an outdoor cooking device showing our new design, the details shown in broken lines are for illustrative purposes only and form no part of the claimed design;

FIG. 2 is a front elevational view thereof;

FIG. 3 is a rear elevational view thereof;

FIG. 4 is a top plan view thereof;

FIG. 5 is a bottom plan view thereof;

FIG. 6 is a side elevational view thereof; and,

FIG. 7 is a side elevational view of the opposite side of FIG. 6.

**1 Claim, 2 Drawing Sheets**

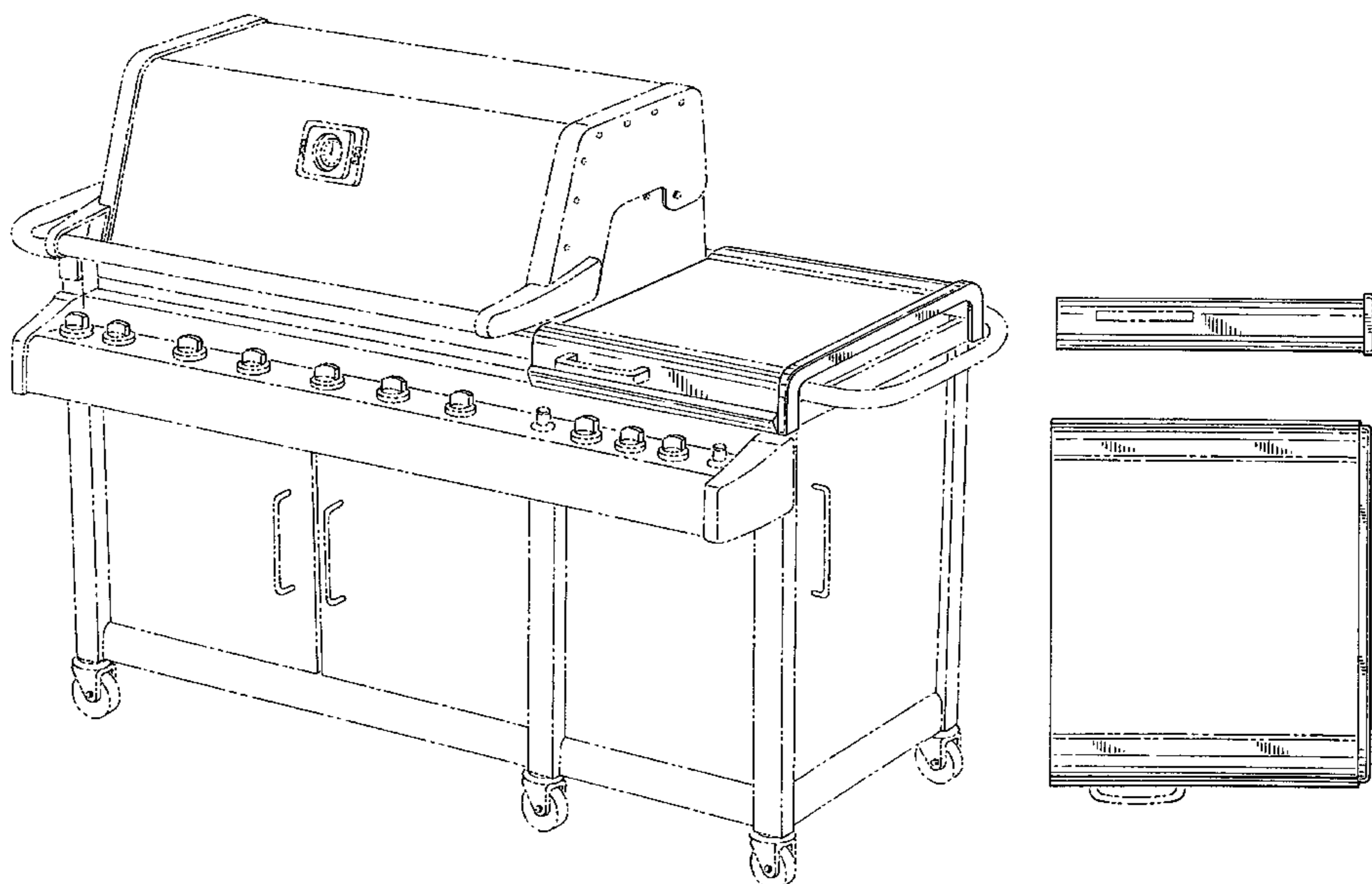


FIG. 1

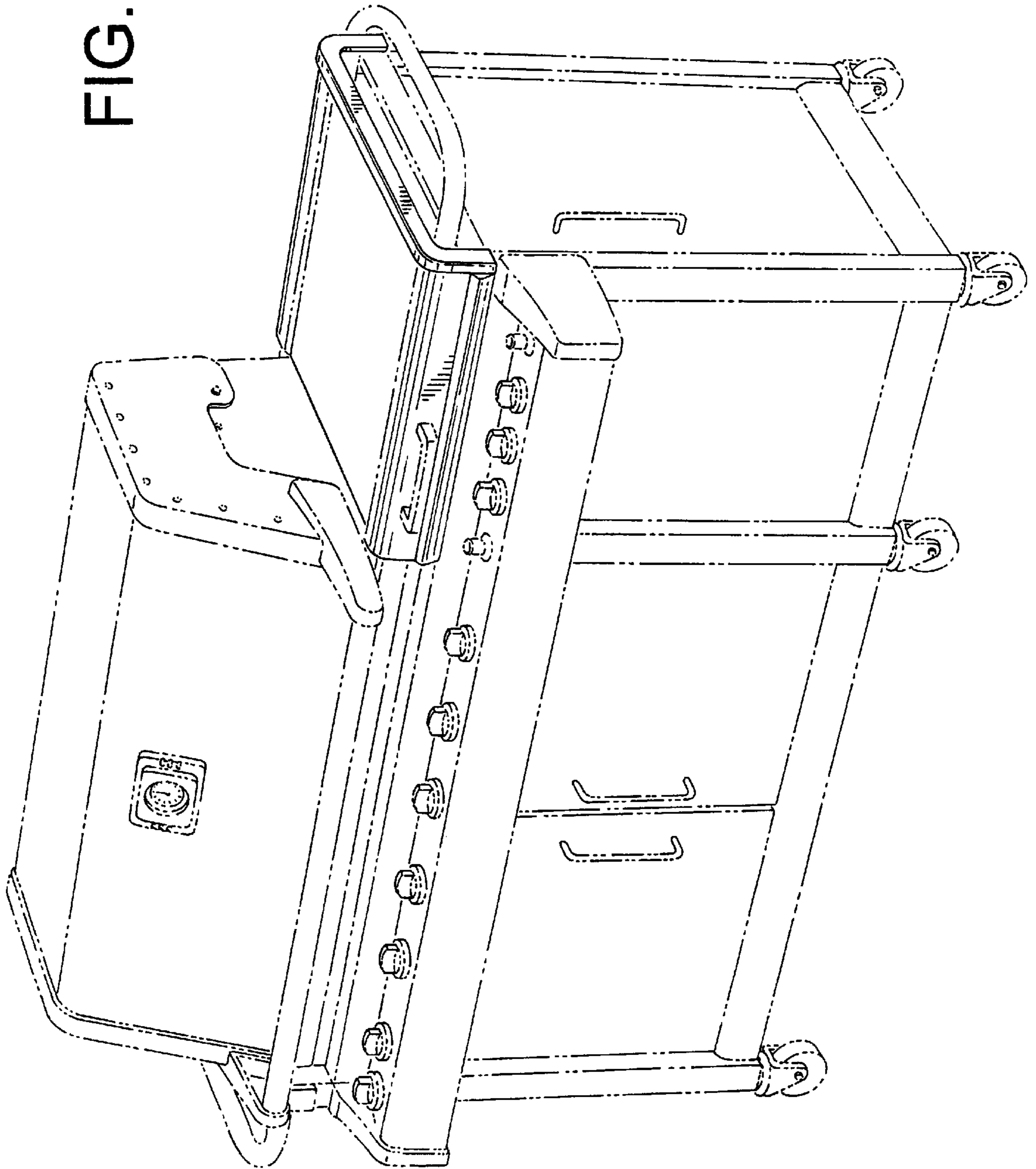


FIG. 2

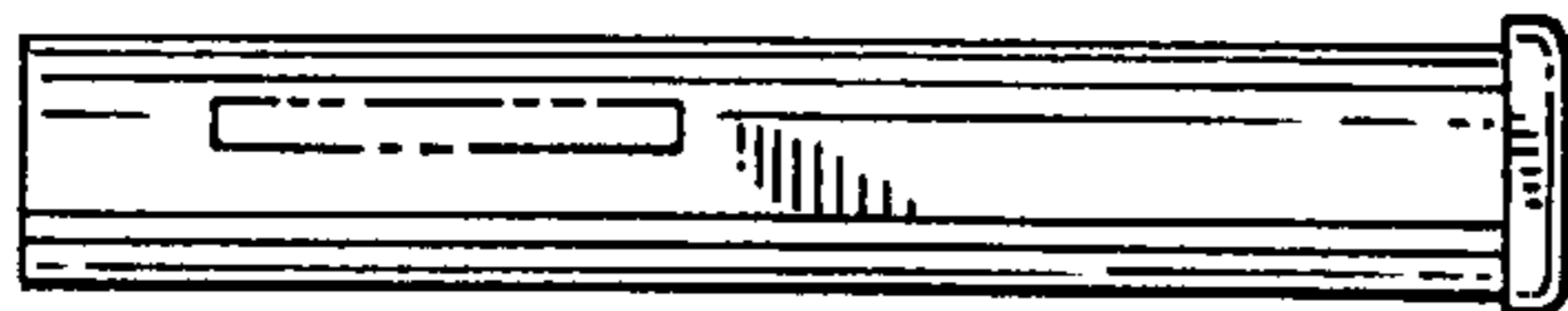


FIG. 3

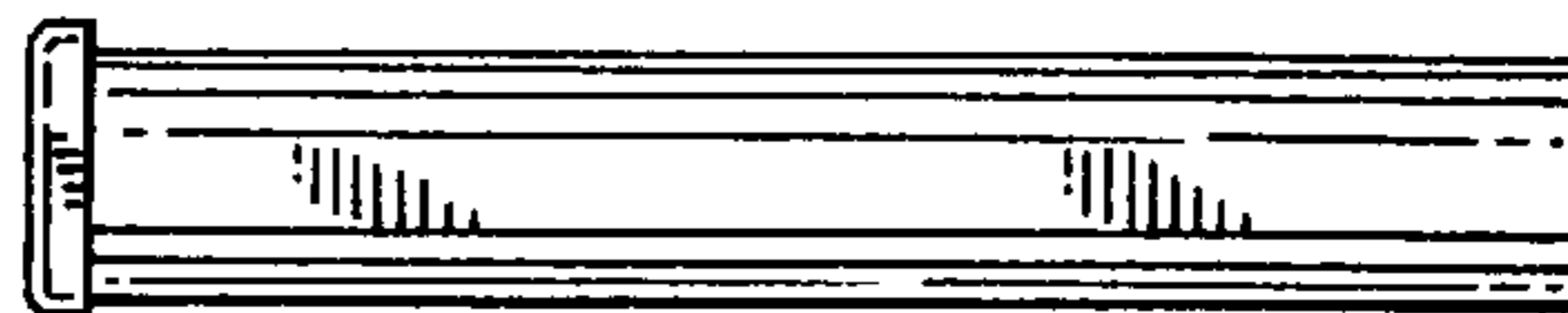


FIG. 4

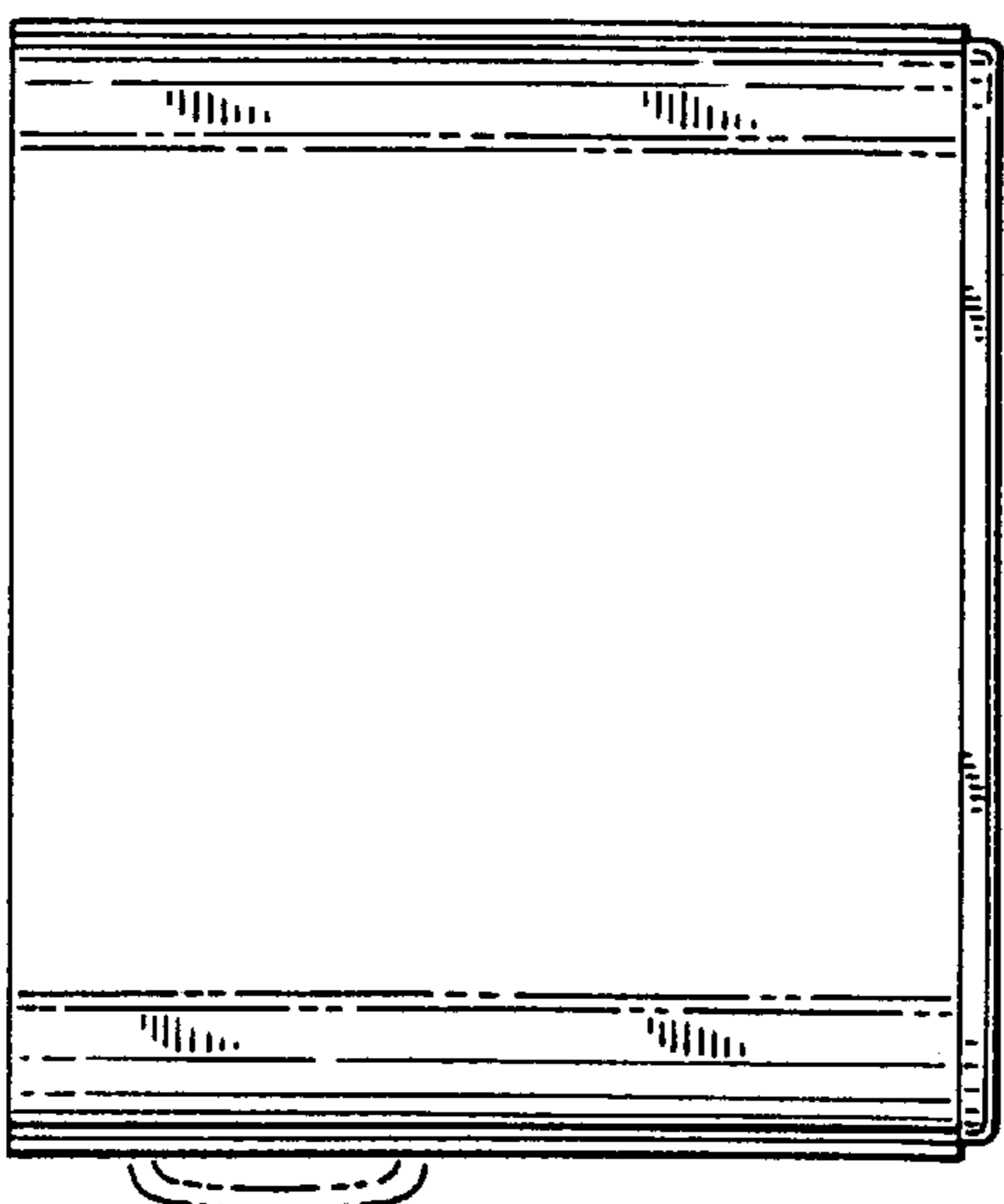


FIG. 5

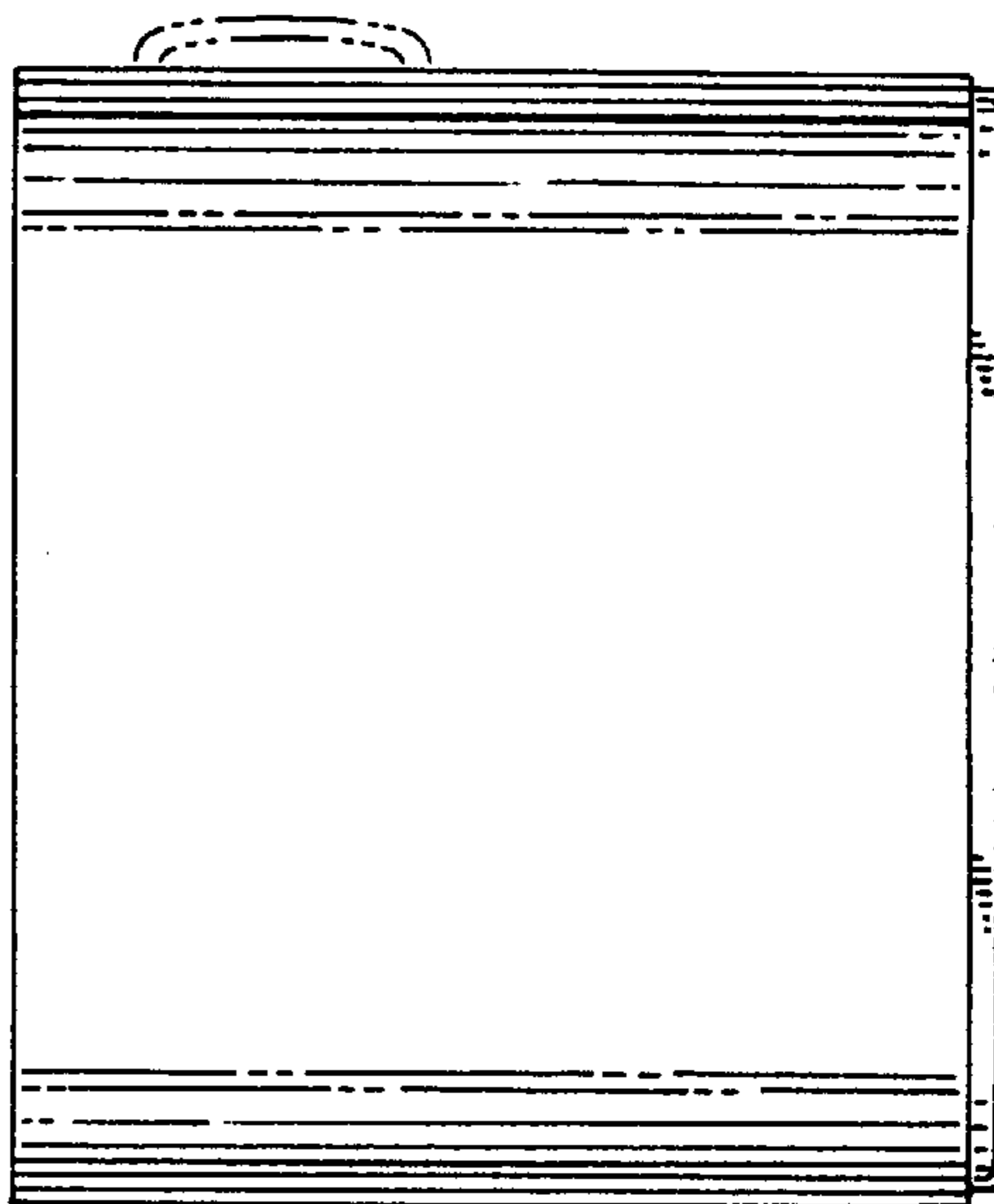


FIG. 6

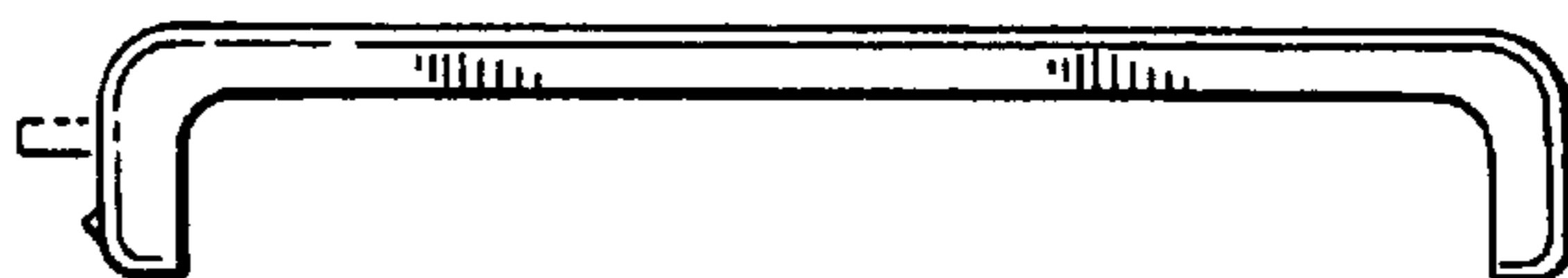


FIG. 7

