



US00D462229S

(12) **United States Design Patent**
Wu

(10) **Patent No.:** **US D462,229 S**

(45) **Date of Patent:** **** Sep. 3, 2002**

(54) **GRILLER**

D413,760 S * 9/1999 Tsai et al. D7/352
D446,074 S * 8/2001 Barker D7/352

(75) Inventor: **Tsan-Kuen Wu**, Tainan Hsien (TW)

* cited by examiner

(73) Assignee: **Tsann Kuen USA Inc.**, Pasadena, CA (US)

Primary Examiner—Caron D. Veynar

(74) *Attorney, Agent, or Firm*—Jenkins & Gilchrist, P.C.

(**) Term: **14 Years**

(57) **CLAIM**

(21) Appl. No.: **29/150,449**

The ornamental design for a griller, as shown and described.

(22) Filed: **Nov. 14, 2001**

DESCRIPTION

(51) **LOC (7) Cl.** **07-02**

FIG. 1 is a perspective view of a griller showing my new design;

(52) **U.S. Cl.** **D7/352**

FIG. 2 is a front elevational view thereof;

(58) **Field of Search** D7/323, 337, 350,
D7/352, 353, 362; 99/372-379; 219/524,
525

FIG. 3 is a rear elevational view thereof;

FIG. 4 is a left side elevational view thereof;

FIG. 5 is a right side elevational view thereof;

FIG. 6 is a top plan view thereof; and,

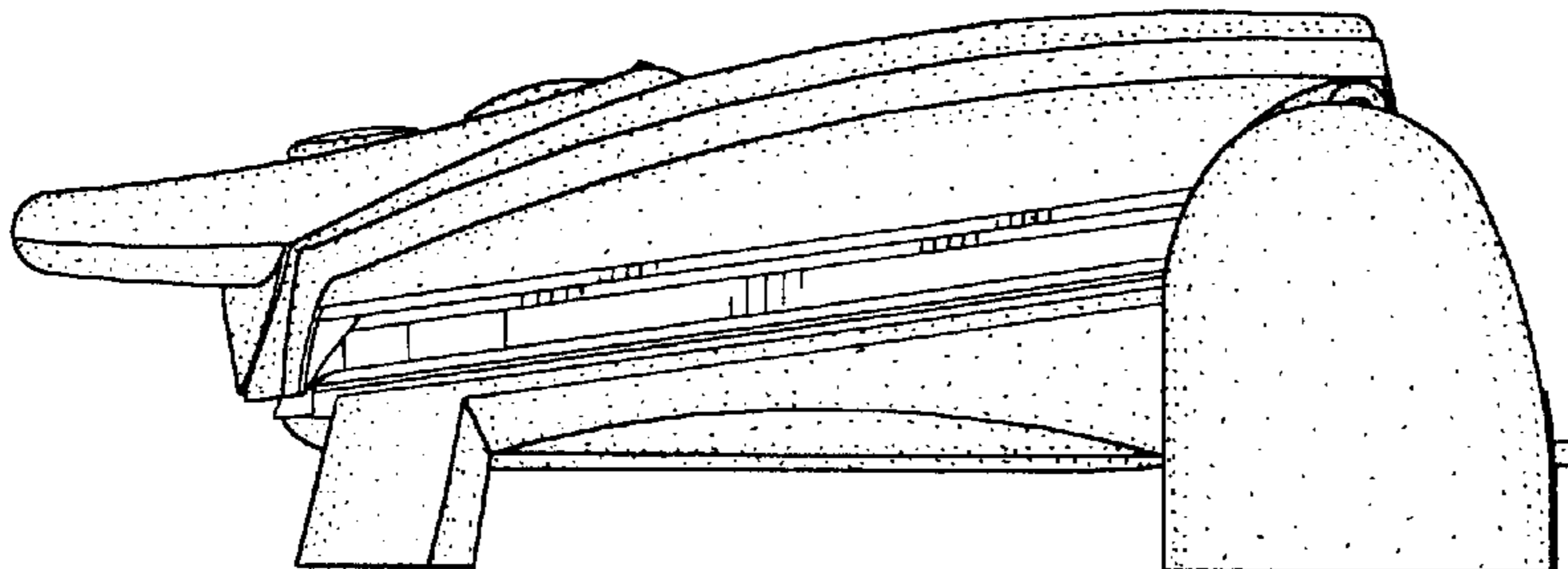
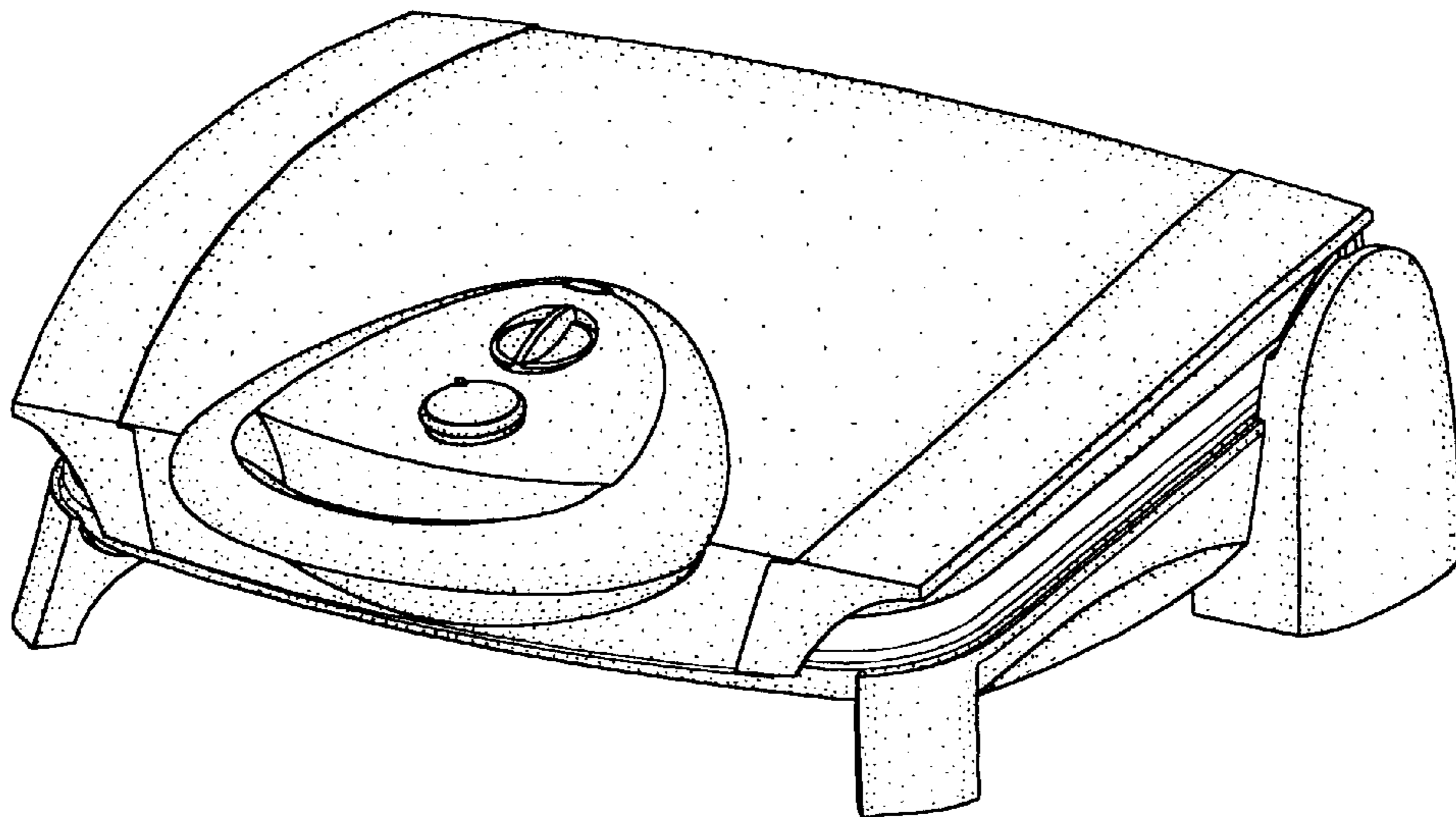
FIG. 7 is a bottom plan view thereof.

(56) **References Cited**

U.S. PATENT DOCUMENTS

D367,993 S * 3/1996 McClean D7/352

1 Claim, 5 Drawing Sheets



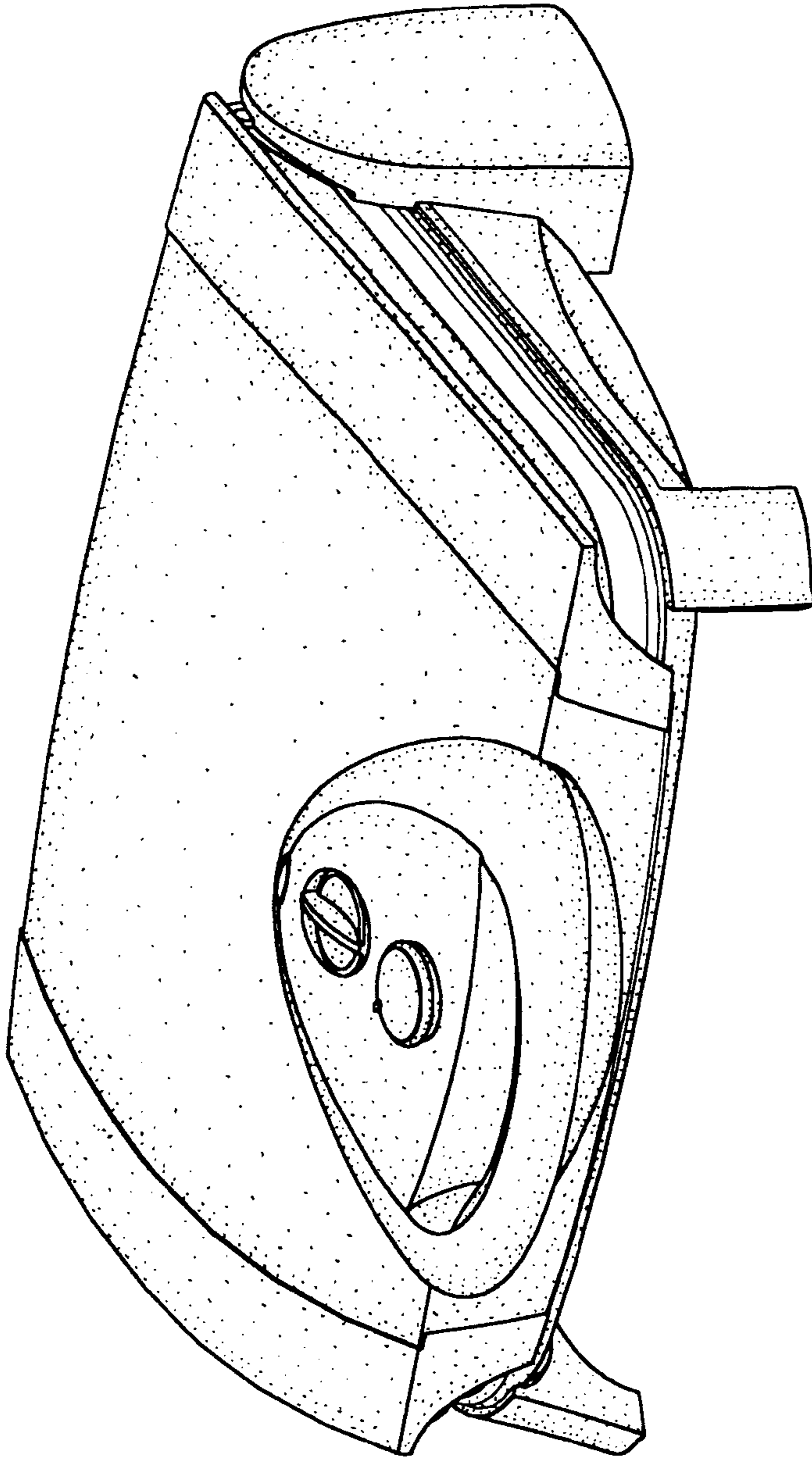


FIG. 1

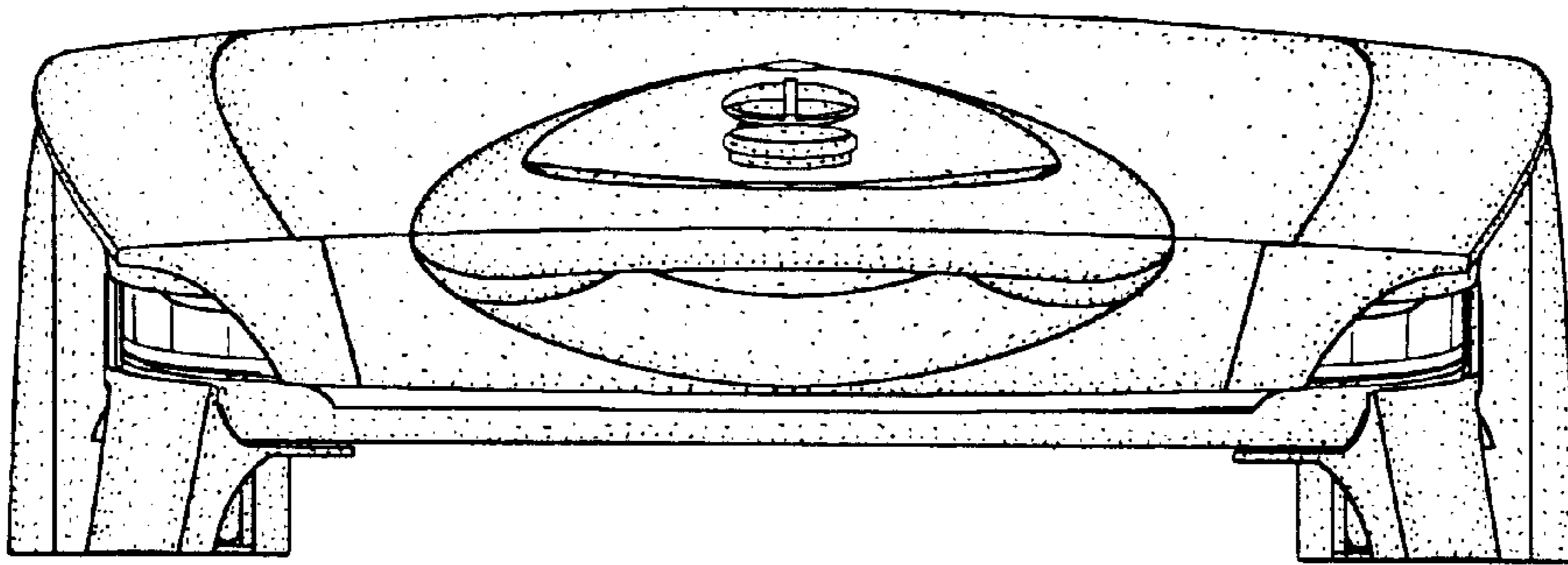


FIG. 2

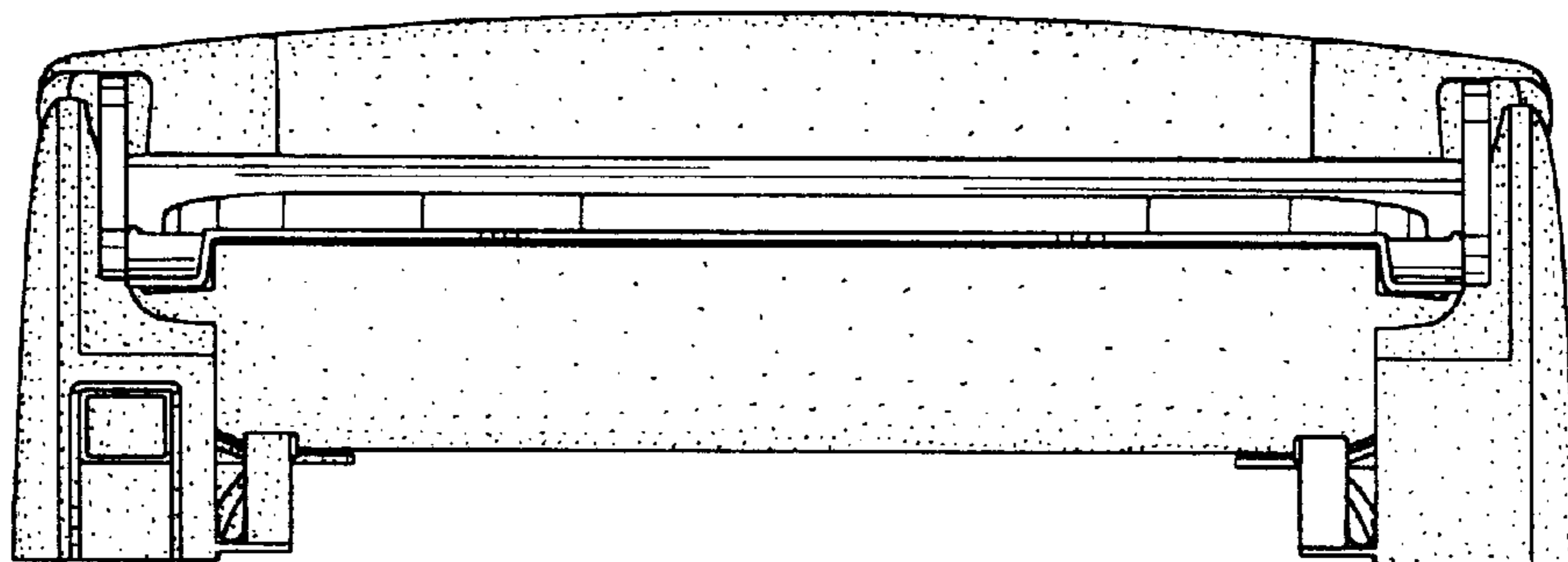


FIG. 3

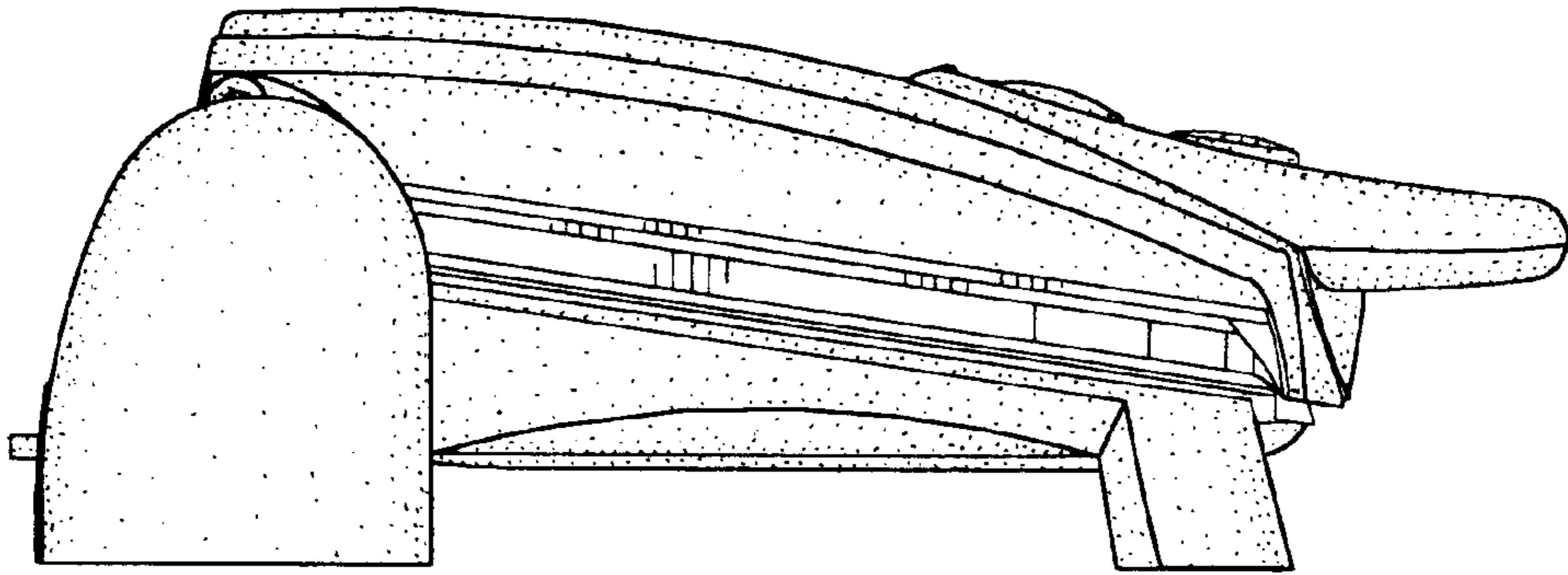


FIG. 4

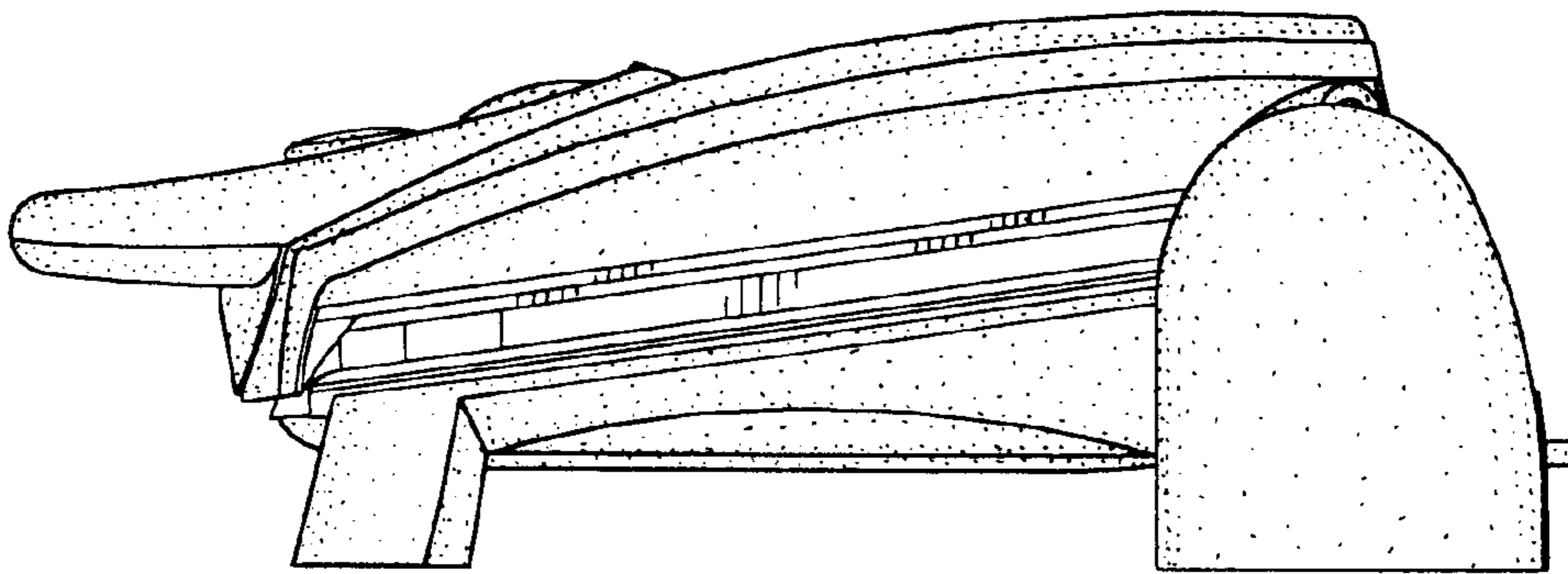


FIG. 5

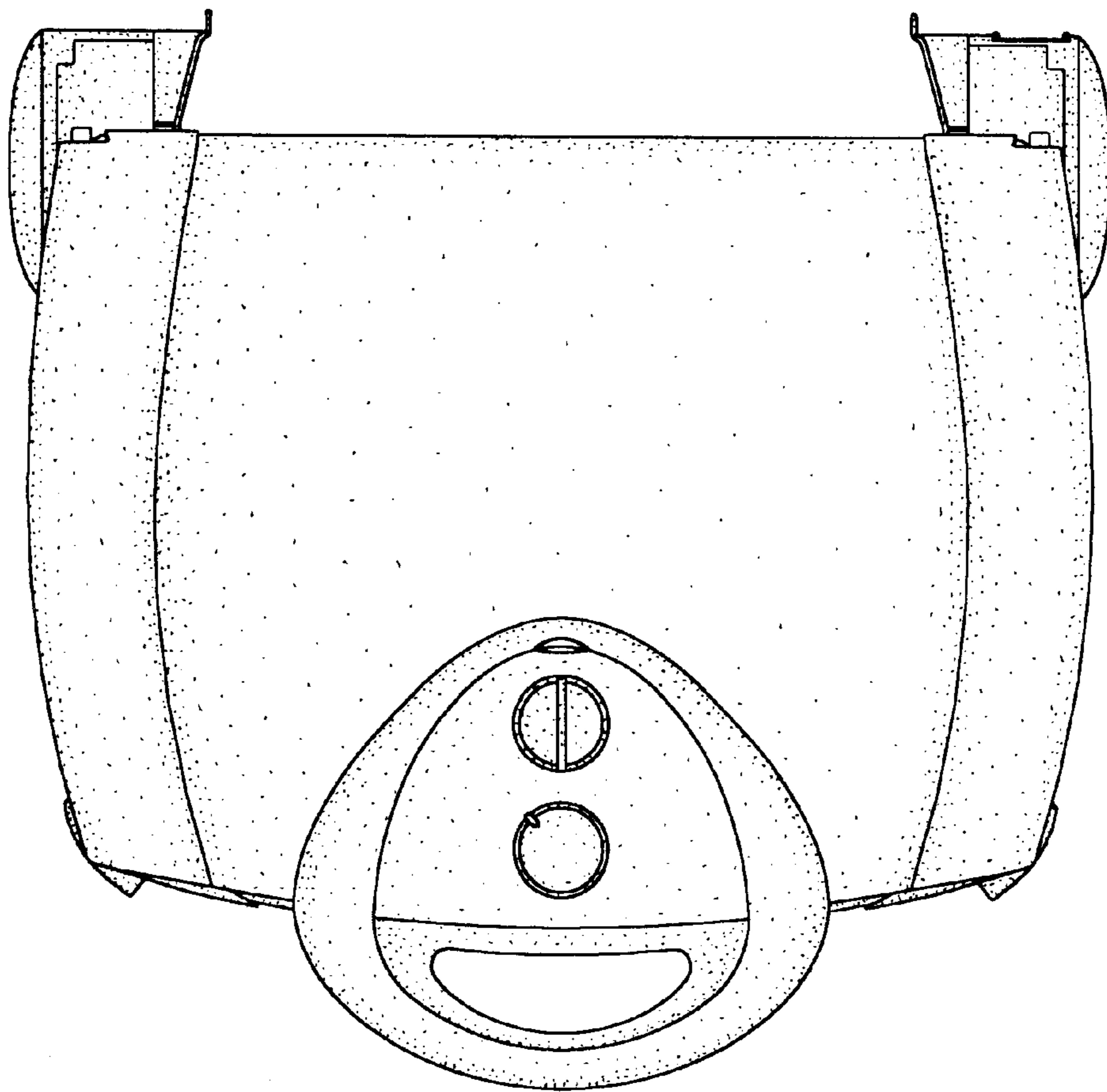


FIG. 6

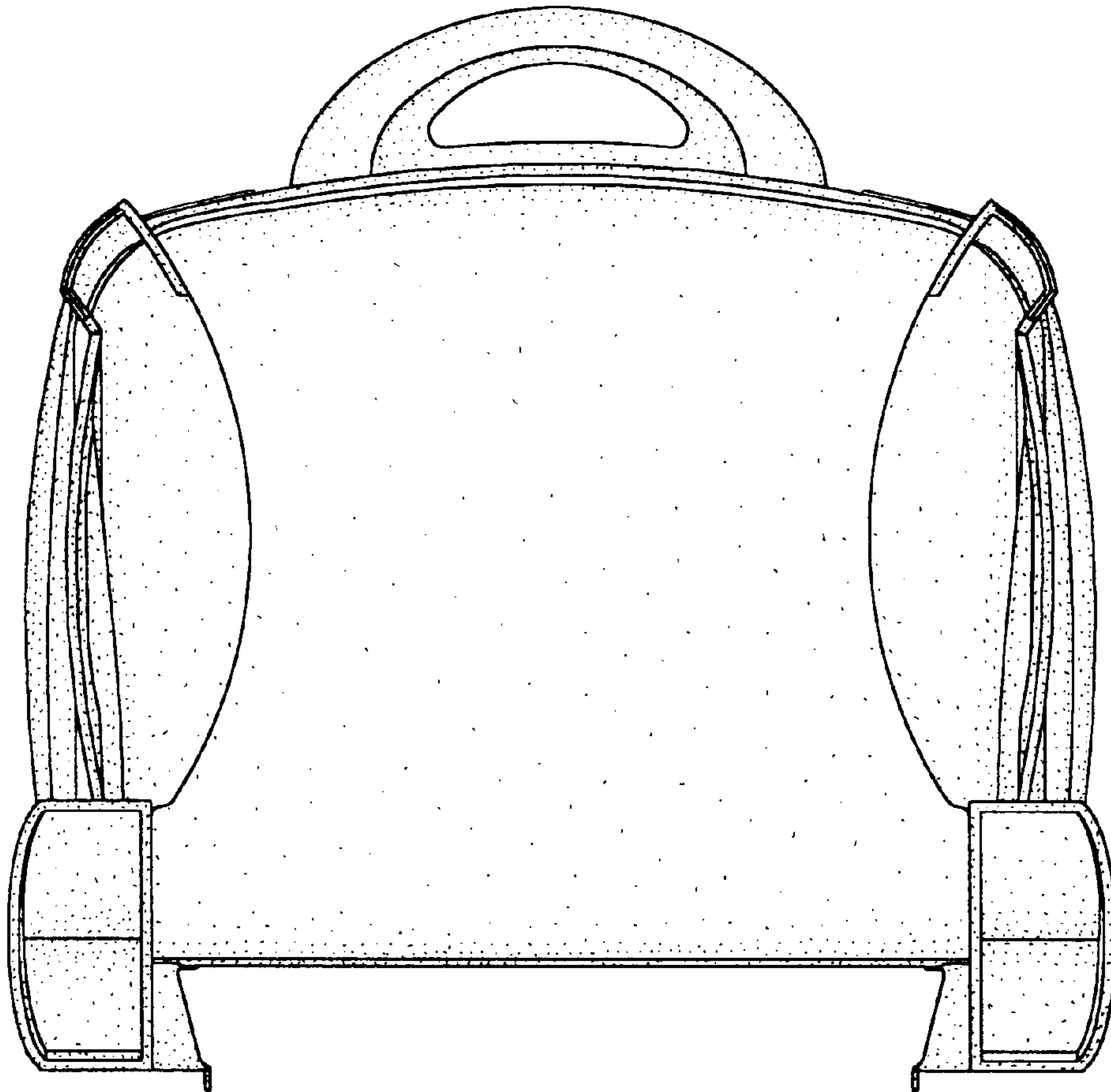


FIG. 7