



US00D462227S

(12) **United States Design Patent**  
**Alden et al.**

(10) **Patent No.:** **US D462,227 S**

(45) **Date of Patent:** **\*\* Sep. 3, 2002**

(54) **BARBECUE GRILL ASSEMBLY**

(75) Inventors: **J. Michael Alden**, Palatine; **Mark Johnson**, Wilmette; **Robert T. Stephen**, Barrington; **James C. Stephen**, Arlington Heights, all of IL (US)

(73) Assignee: **Weber-Stephen Products Co.**, Palatine, IL (US)

(\*\*) Term: **14 Years**

(21) Appl. No.: **29/146,523**

(22) Filed: **Aug. 10, 2001**

(51) **LOC (7) Cl.** ..... **07-02**

(52) **U.S. Cl.** ..... **D7/334**

(58) **Field of Search** ..... D7/332-337, 402-405;  
126/25 R, 25 A, 25 AA, 29-30, 33, 38,  
41 R; 99/421 H, 419, 427, 449, 339, 340,  
446, 450, 482

(56) **References Cited**

**U.S. PATENT DOCUMENTS**

1,964,805 A	7/1934	Barnes	126/268
D145,897 S	11/1946	Hathaway	D81/10
D183,621 S	9/1958	Levin	D14/3
2,888,544 A	5/1959	Kesling	219/37
2,907,316 A	10/1959	Windust	126/9
3,586,518 A	6/1971	Folmar	99/259
4,321,857 A	3/1982	Best	99/340
4,677,964 A	7/1987	Lohmeyer et al.	126/41 R
D293,067 S	* 12/1987	Stephen et al.	D7/334
4,777,927 A	10/1988	Stephen et al.	126/25 R
4,886,045 A	* 12/1989	Ducate, Jr. et al.	126/41 R
4,895,068 A	1/1990	Hanagan et al.	99/357
4,924,846 A	5/1990	Peacock et al.	126/41 R

4,955,358 A	9/1990	Harris et al.	126/25 R
4,966,125 A	10/1990	Stephen et al.	126/25 R
D316,355 S	* 4/1991	Stephen et al.	D7/334
5,033,449 A	7/1991	Hanagan	126/39 BA
5,070,776 A	* 12/1991	Schlosser et al.	99/450
5,076,256 A	12/1991	Raymer et al.	126/41 R
5,076,257 A	12/1991	Raymer et al.	126/41 R
5,088,470 A	2/1992	James, Jr. et al.	126/41 R
5,163,358 A	11/1992	Hanagan et al.	99/339
5,483,947 A	1/1996	Giebel et al.	126/41 R
5,579,755 A	12/1996	Johnston	126/41 R
5,765,469 A	6/1998	Schlosser et al.	99/337
D404,963 S	* 2/1999	Schlosser et al.	D7/334
5,934,183 A	* 8/1999	Schlosser et al.	99/385
5,943,183 A	8/1999	Schlosser et al.	99/385

\* cited by examiner

*Primary Examiner*—Ruth McInroy

(74) *Attorney, Agent, or Firm*—Wallenstein & Wagner, Ltd.

(57) **CLAIM**

We claim the ornamental design for a barbecue grill assembly, as shown and described.

**DESCRIPTION**

FIG. 1 is a perspective view of a barbecue grill assembly, showing our new design;  
FIG. 2 is a front view thereof;  
FIG. 3 is a rear view thereof;  
FIG. 4 is a top plan view thereof;  
FIG. 5 is a bottom plan view thereof;  
FIG. 6 is a right side view thereof; and,  
FIG. 7 is a left side view thereof.

The details shown in broken lines in all views are for illustrative purposes only and form no part of the claimed design.

**1 Claim, 6 Drawing Sheets**

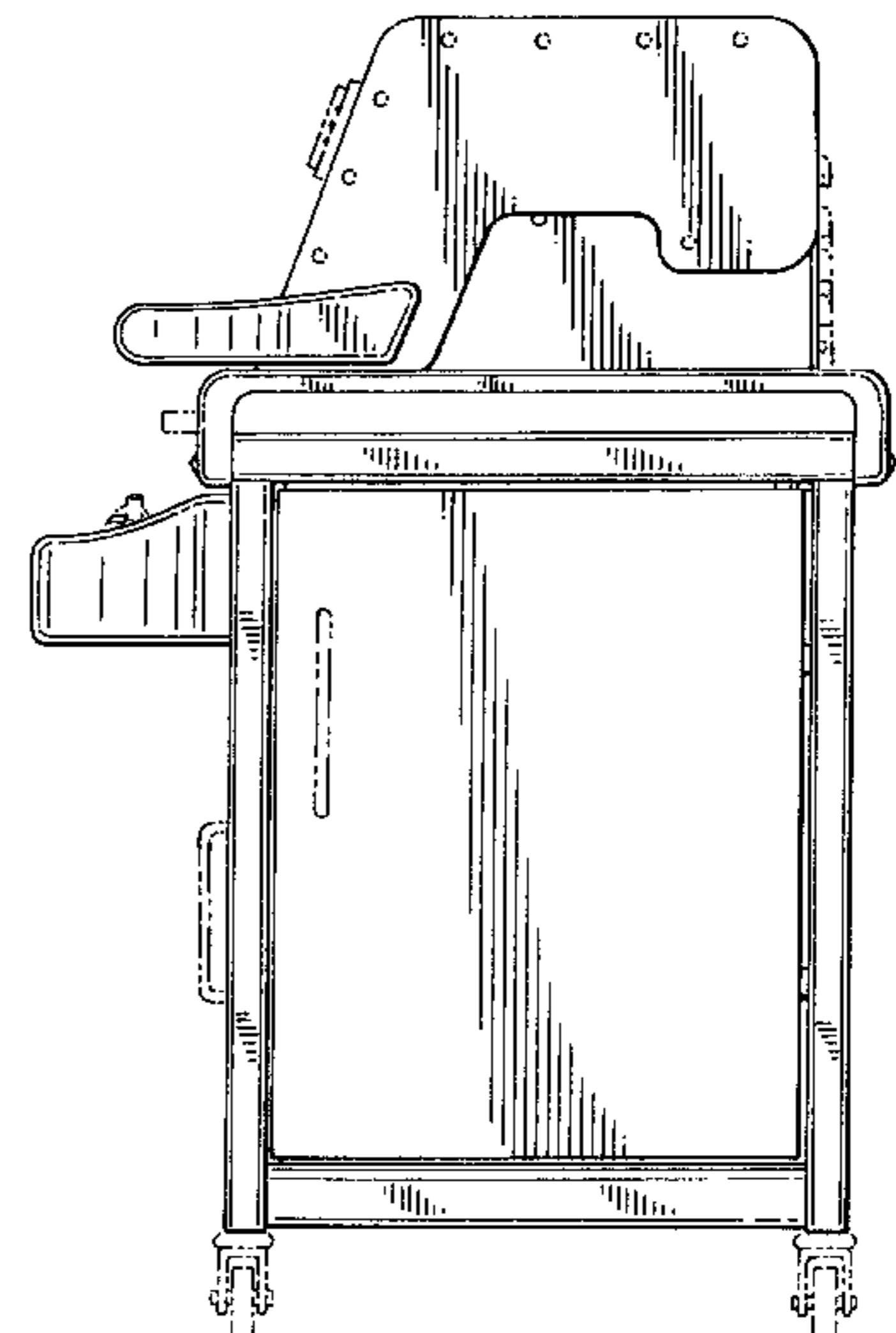
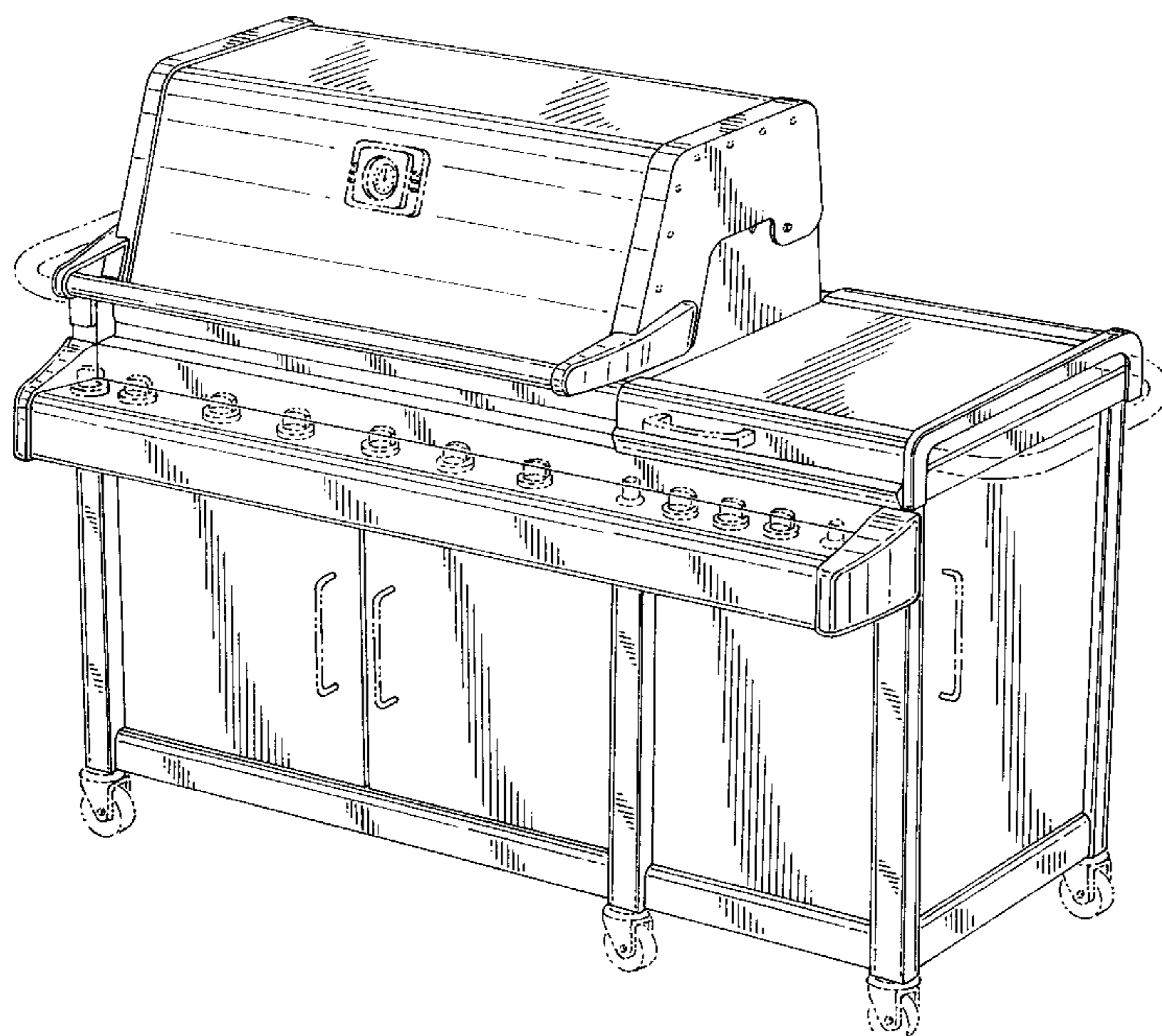


FIG. 1

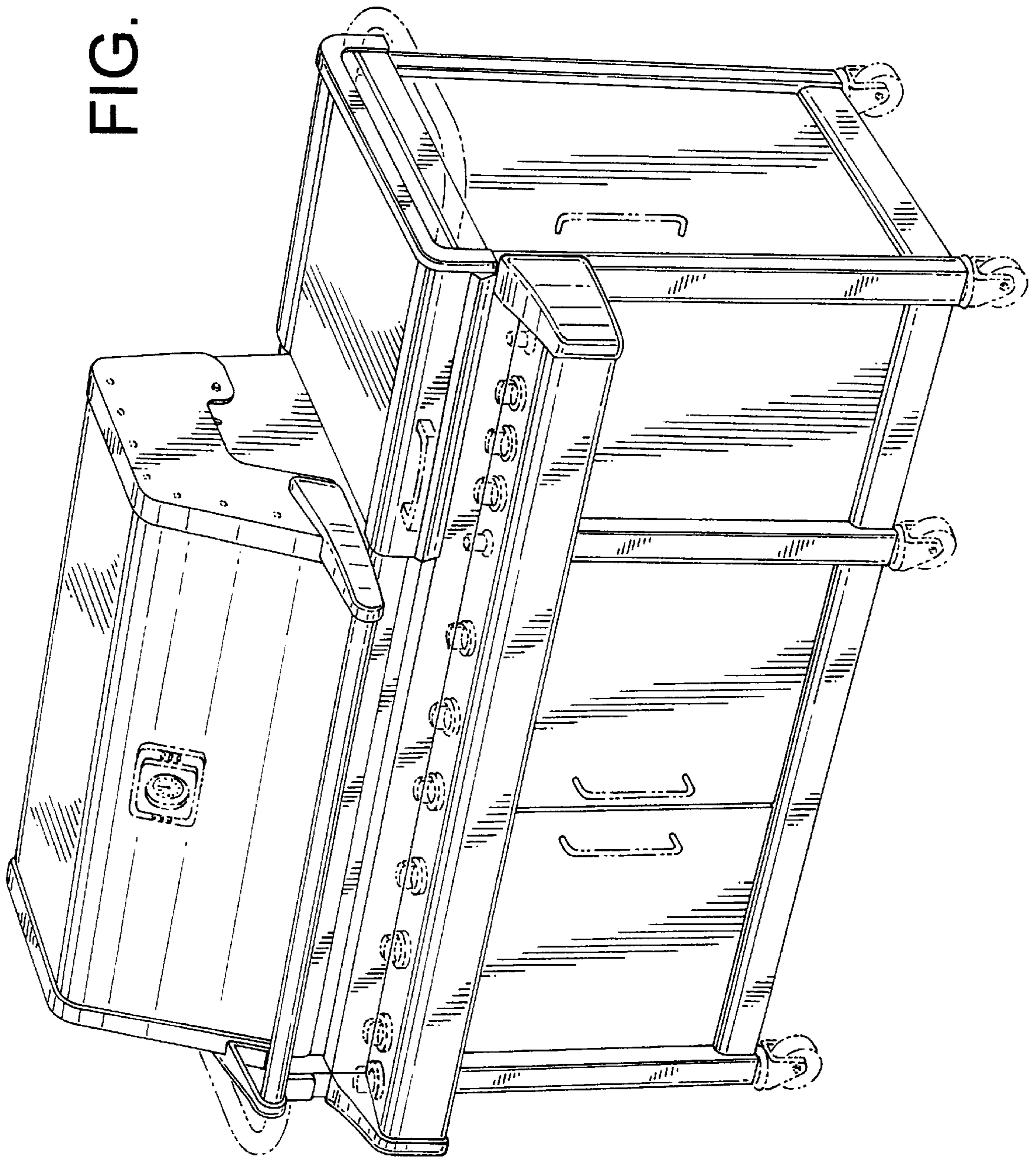
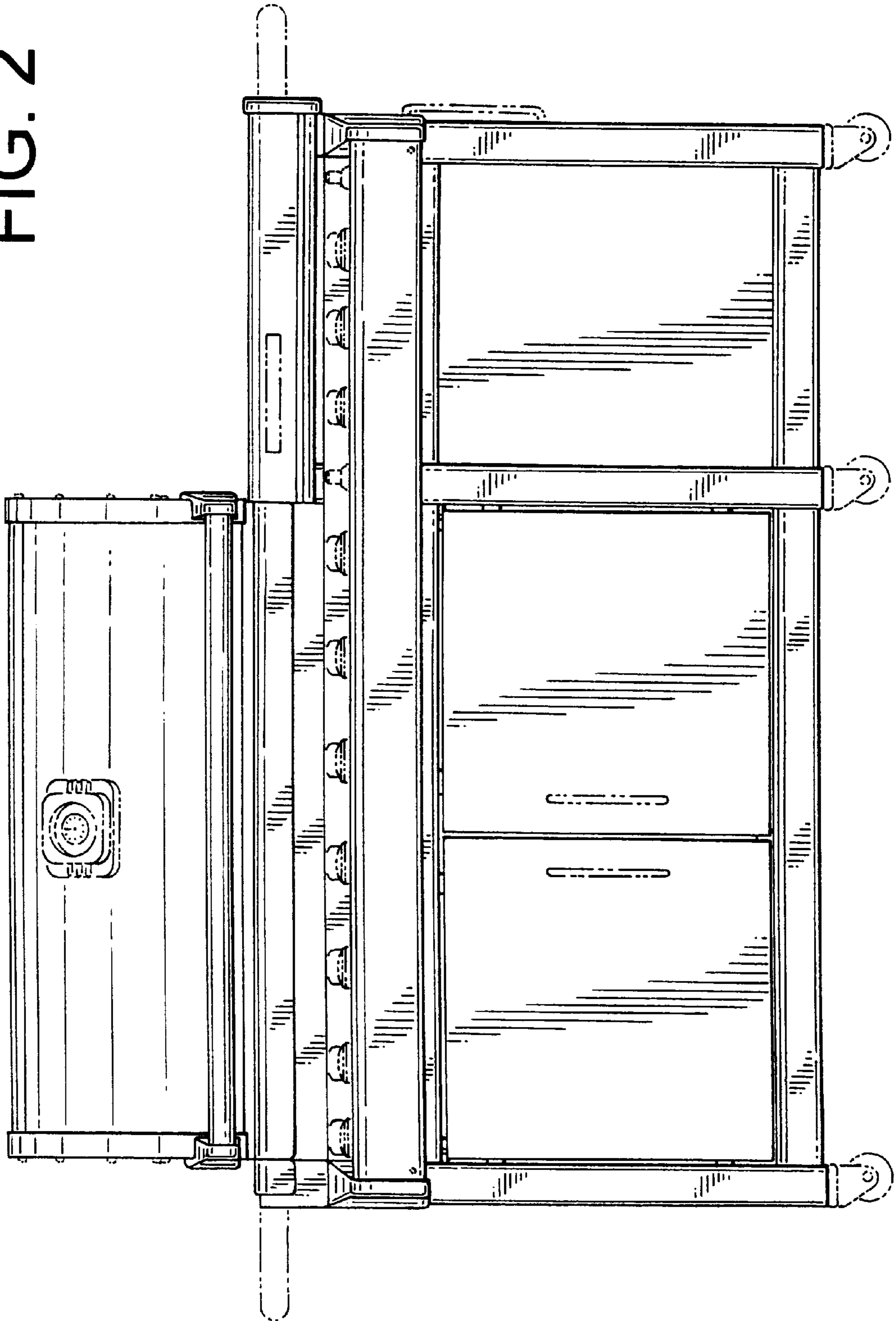


FIG. 2



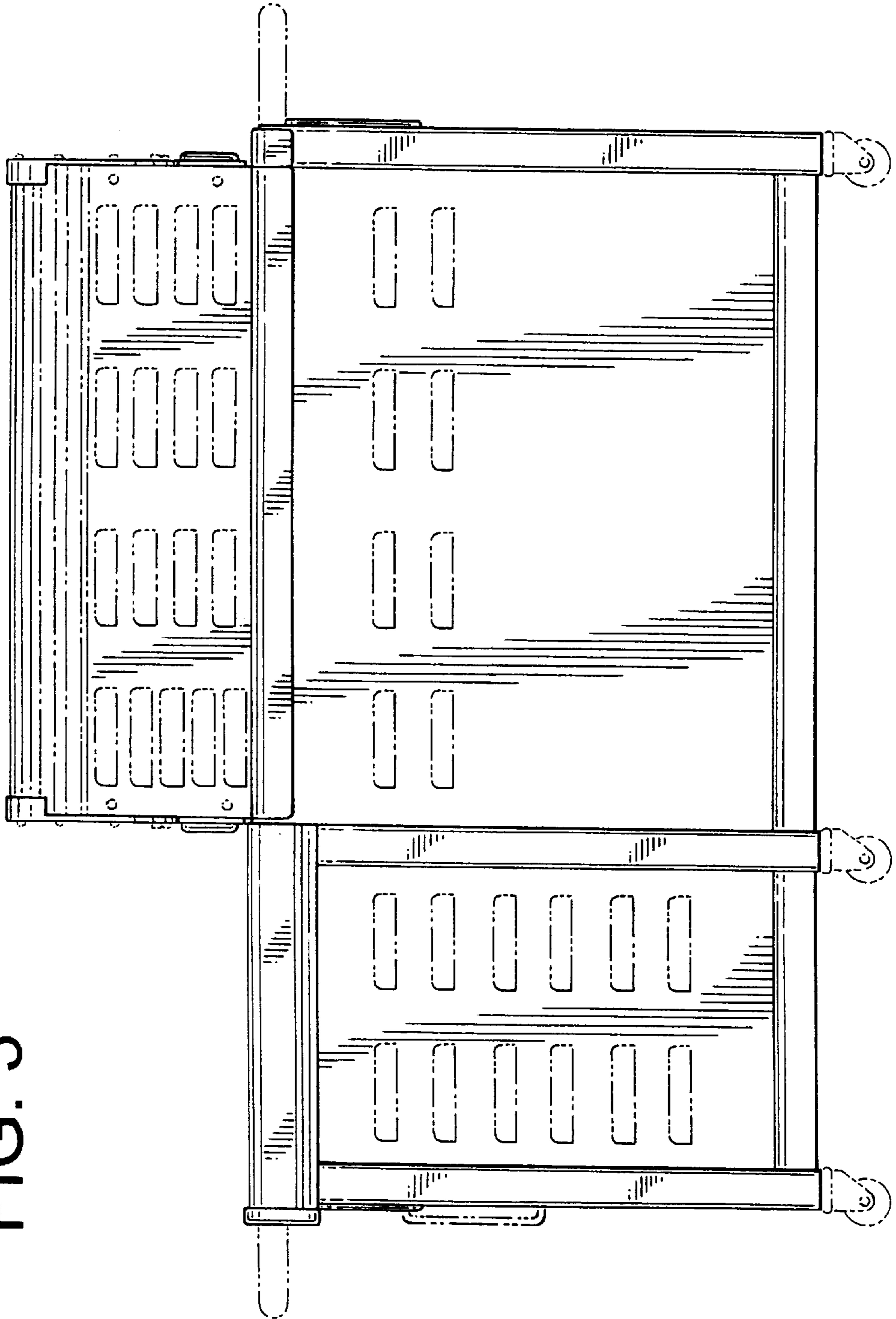


FIG. 3

FIG. 4

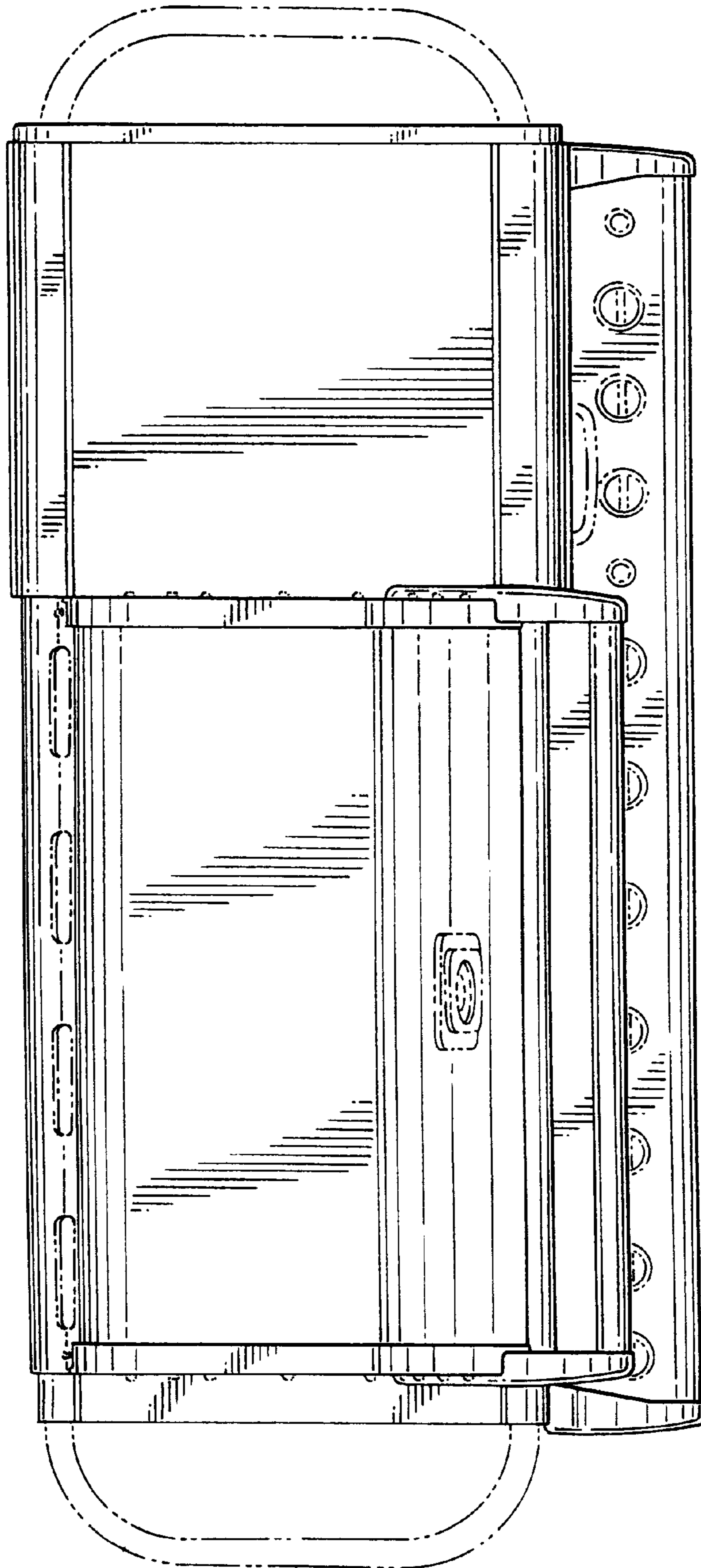


FIG. 5

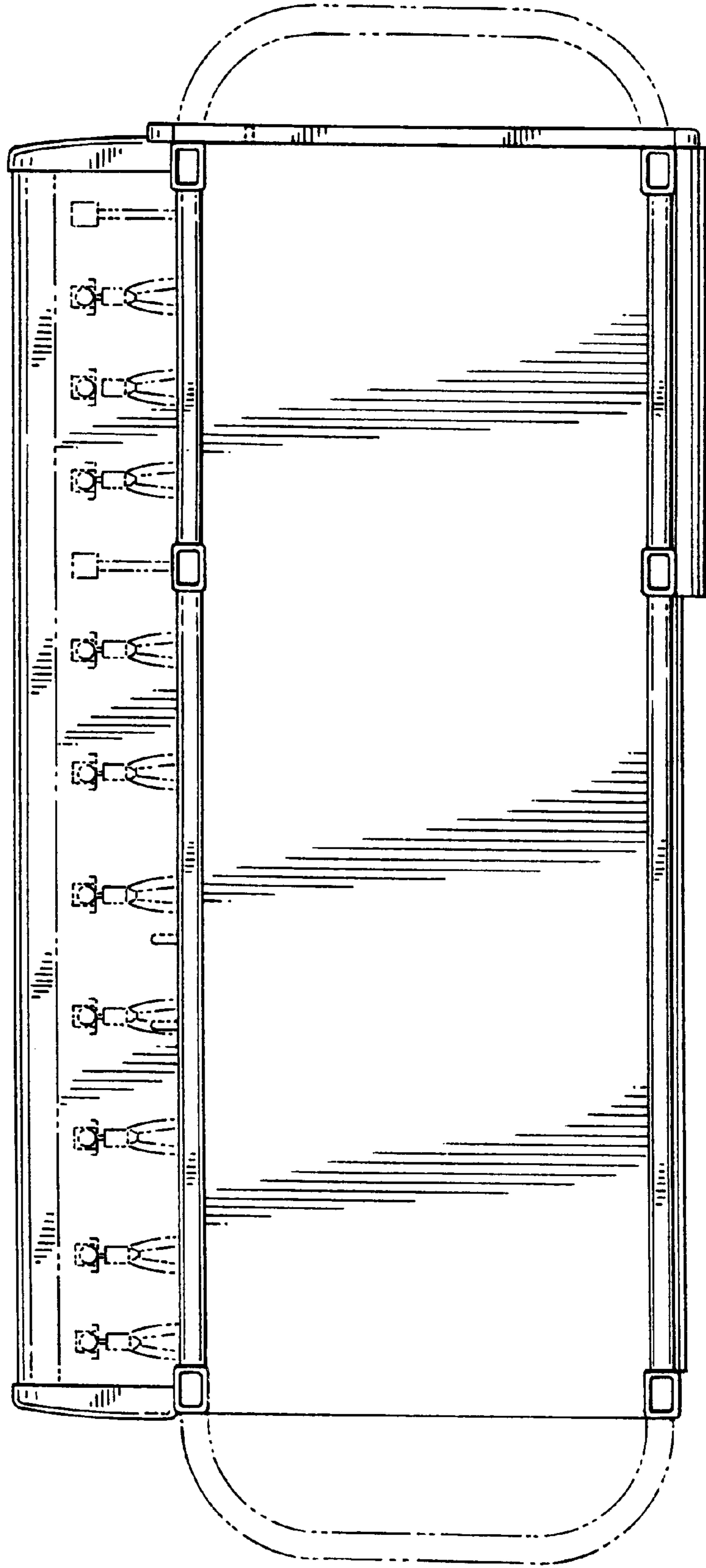


FIG. 7

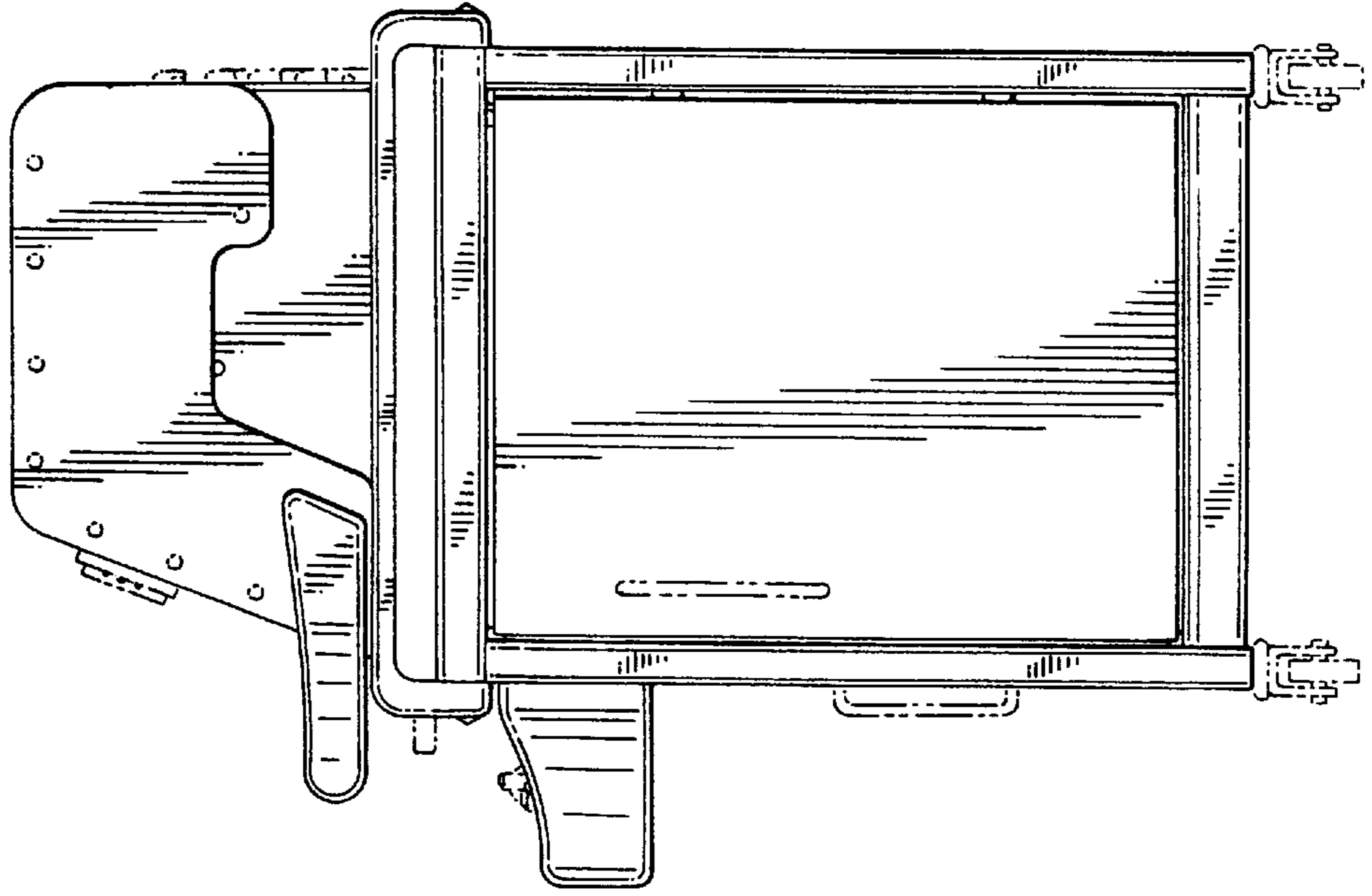


FIG. 6

