



US00D462225S

(12) **United States Design Patent** (10) **Patent No.:** **US D462,225 S**  
**Kyees et al.** (45) **Date of Patent:** **\*\* Sep. 3, 2002**

(54) **LOW VOLUME BEVERAGE DISPENSER**

(75) Inventors: **Melvin D. Kyees**, Huntington Beach, CA (US); **David C. Hobson**, Pekin; **Jerry L. Landers**, Memphis, both of IN (US); **Richard K. Renken**, Chesterfield, MO (US); **Timothy B. Strandell**, Racine, WI (US)

(73) Assignee: **Manitowoc Foodservice Companies, Inc.**, Sparks, NV (US)

(\*\*) Term: **14 Years**

(21) Appl. No.: **29/147,823**

(22) Filed: **Sep. 6, 2001**

(51) **LOC (7) Cl.** ..... **07-01**

(52) **U.S. Cl.** ..... **D7/307; D7/308**

(58) **Field of Search** ..... **D7/300, 306, 307, D7/308; 141/129, 86, 174; 222/146.6, 129.3; D34/14, 20; 280/79.2**

(56) **References Cited**

**U.S. PATENT DOCUMENTS**

D161,684 S	*	1/1951	Evert	.....	D7/307
D191,493 S	*	10/1961	Smith	.....	D7/307
D235,009 S	*	4/1975	Thompson	.....	D34/14
D245,608 S	*	8/1977	Murphy	.....	D7/307
D261,269 S	*	10/1981	Cornett	.....	D7/307
D264,214 S	*	5/1982	Bowen et al.	.....	D7/307
D271,716 S	*	12/1983	Bachmann et al.	.....	D34/14
D273,654 S		5/1984	Sedam et al.		
D301,193 S	*	5/1989	Schechter et al.	.....	D7/308
D302,369 S	*	7/1989	Schechter et al.	.....	D7/308
D311,844 S	*	11/1990	Chase et al.	.....	D7/308
D316,796 S		5/1991	Kirschner et al.		
D337,018 S		7/1993	Groover et al.		
D342,861 S		1/1994	Rasmussen		
D351,965 S		11/1994	Credle, Jr.		
D359,874 S		7/1995	Smith et al.		

D364,305 S		11/1995	Rasmussen		
D367,989 S		3/1996	Mills et al.		
D373,279 S		9/1996	Chen		
5,626,353 A	*	5/1997	Campbell	.....	280/47.35
D381,857 S		8/1997	Swaim		
D389,368 S		1/1998	Parks et al.		
D390,058 S		2/1998	Landers		
D400,753 S		11/1998	Pryor et al.		
D404,242 S		1/1999	Schroeder		
D407,594 S		4/1999	Jones et al.		
D442,011 S	*	5/2001	Sandor et al.	.....	D7/307
D442,417 S		5/2001	Jones et al.		
D443,398 S	*	6/2001	Mount	.....	D34/14
D451,748 S		12/2001	Holderfield		
D452,406 S	*	12/2001	Schroeder et al.	.....	D7/307

\* cited by examiner

*Primary Examiner*—M. N. Pandozzi

(74) *Attorney, Agent, or Firm*—Brinks Hofer Gilson & Lione

(57) **CLAIM**

The ornamental design for a low volume beverage dispenser, as shown.

**DESCRIPTION**

FIG. 1 is a perspective view of a low volume beverage dispenser showing our design. FIG. 2 is a left-side elevational view; FIG. 3 is a front elevational view; FIG. 4 is a right-side elevational view, showing the side opposite that in FIG. 2; FIG. 5 is a rear elevational view, showing the side opposite that in FIG. 3; FIG. 6 is a top plan view; FIG. 7 is a bottom plan view; and, FIG. 8 is a rear elevational view of an alternative embodiment of the low volume beverage dispenser, the other views being the same as as FIGS. 1–4 and 6–7.

**1 Claim, 5 Drawing Sheets**

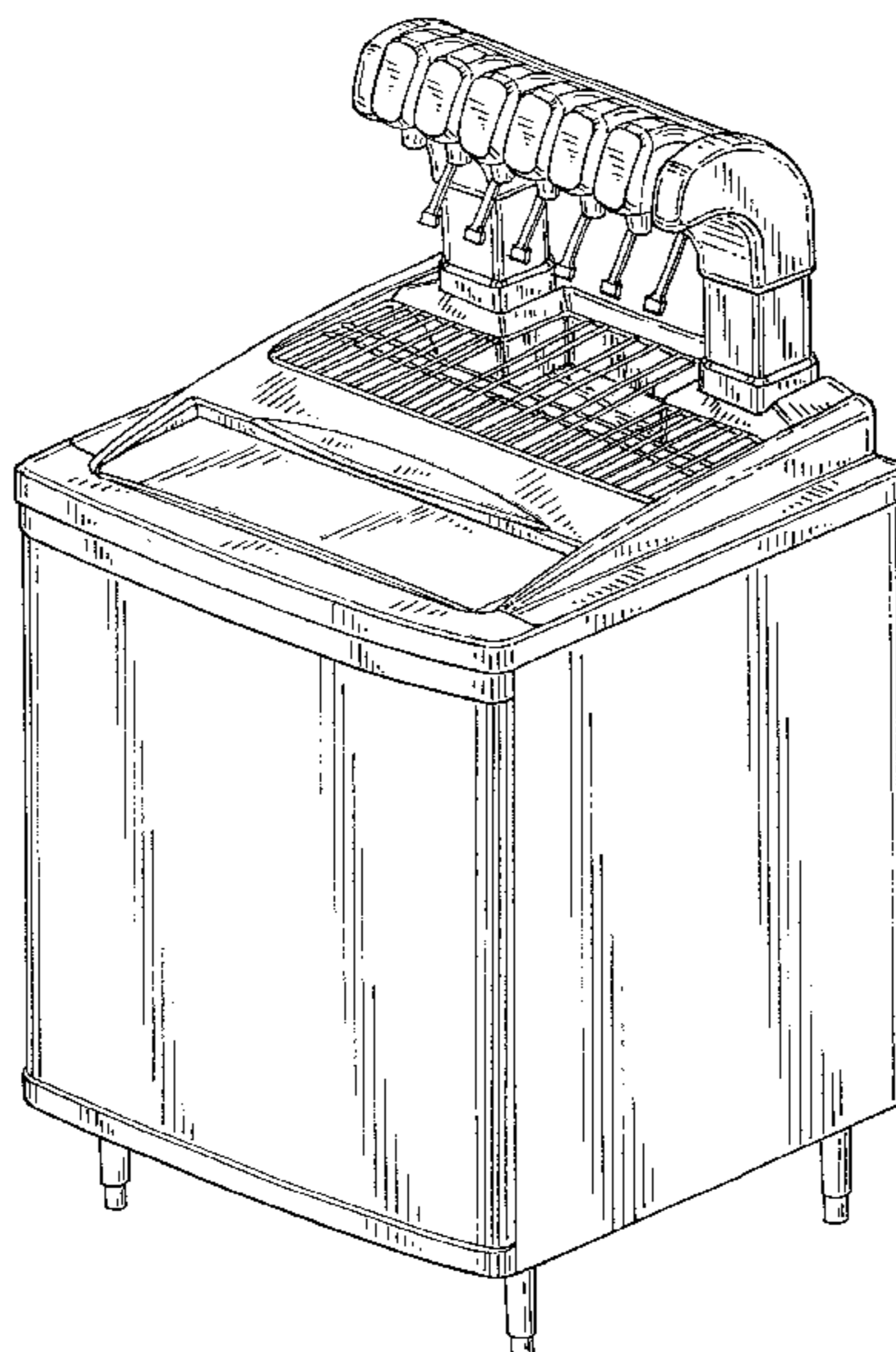
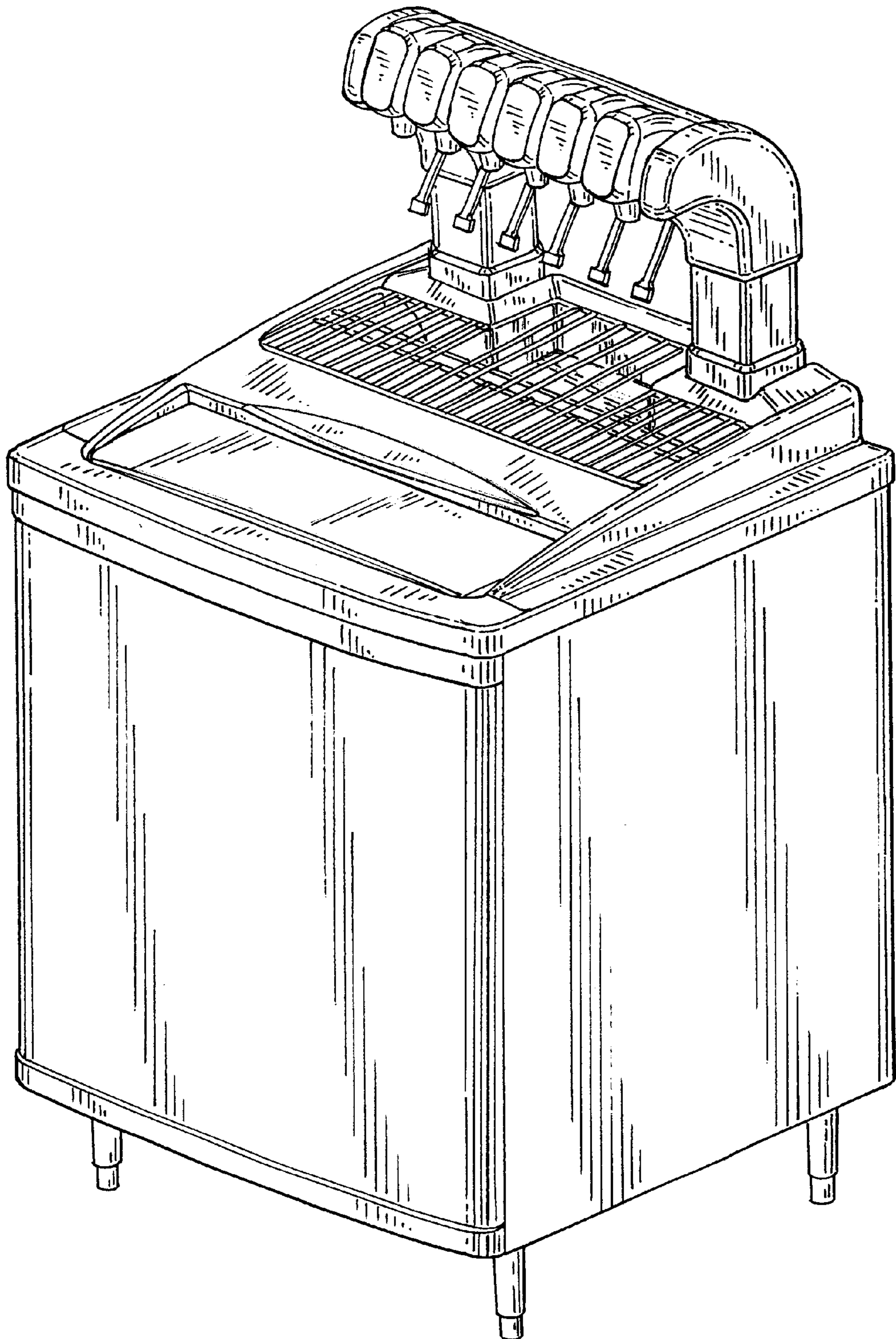


FIG. 1



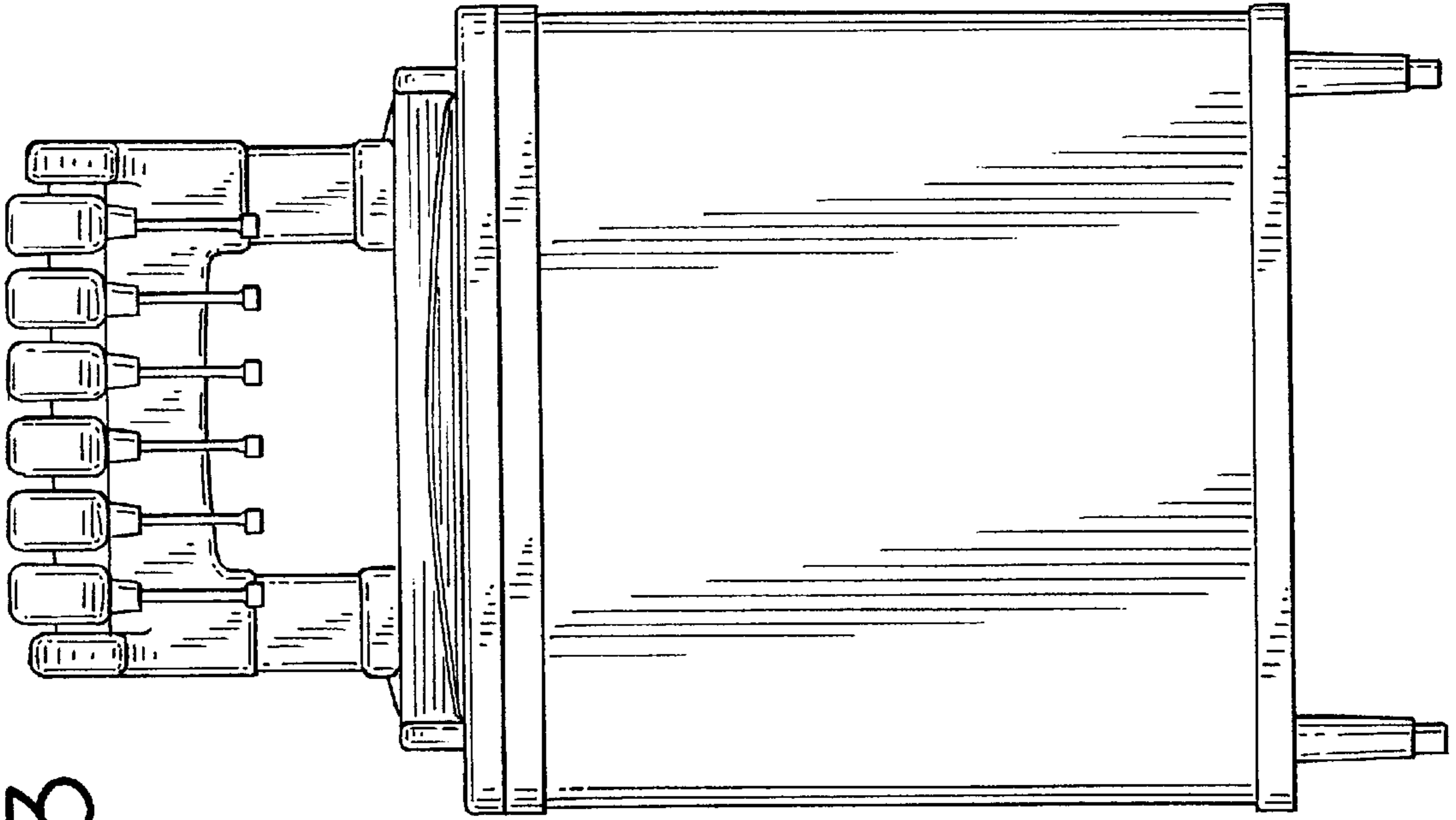


FIG. 3

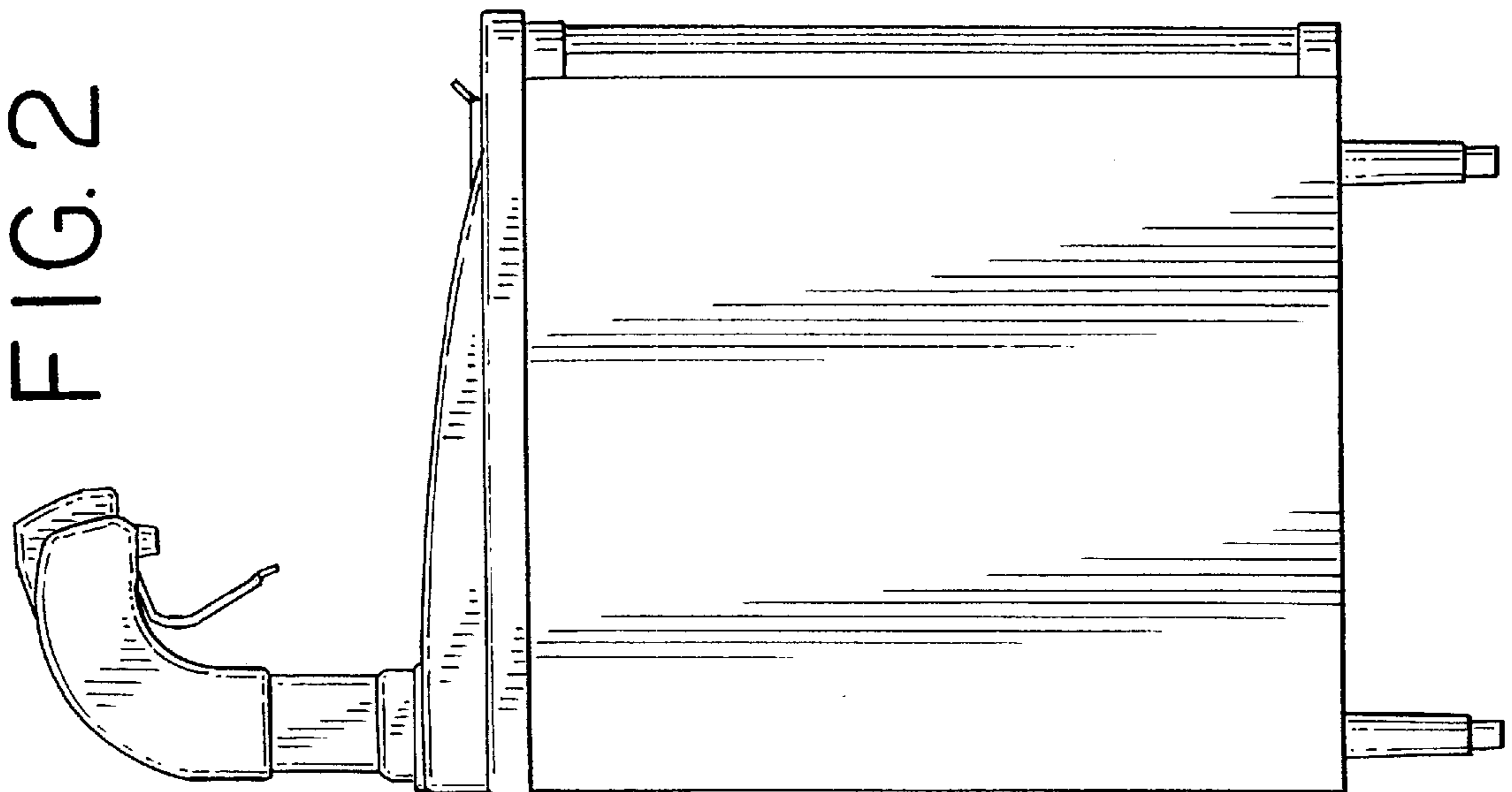


FIG. 2

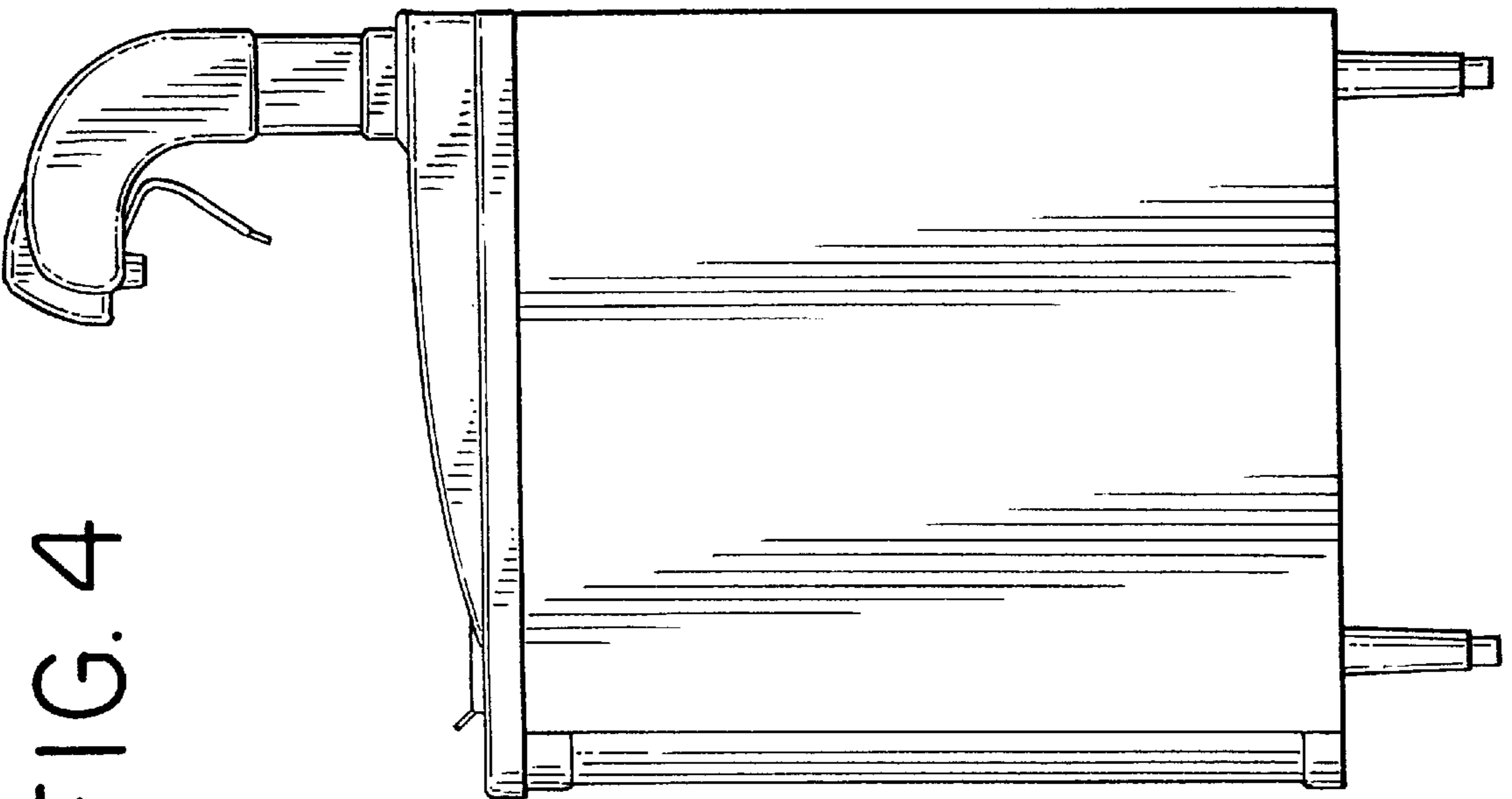


FIG. 4

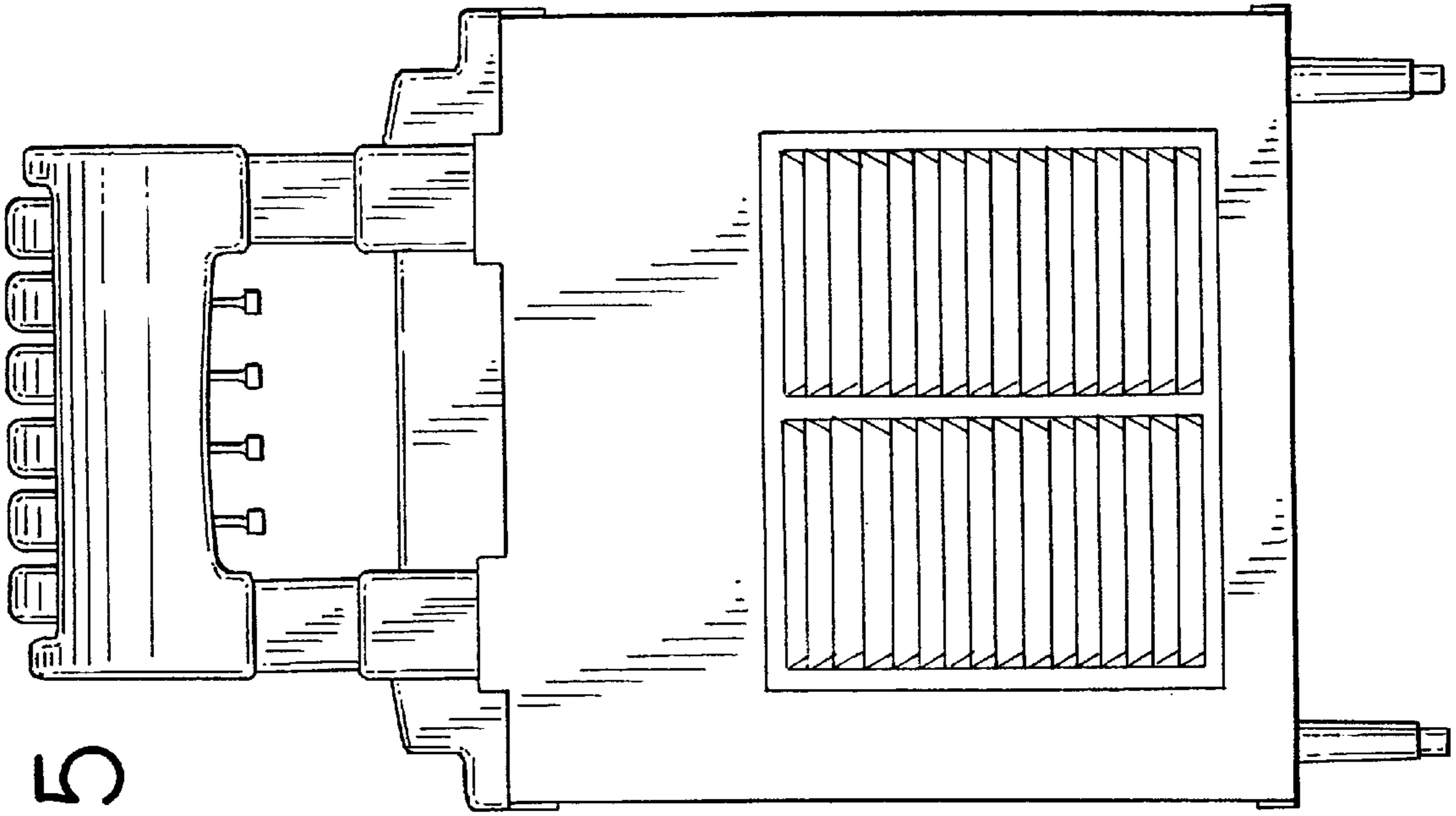


FIG. 5

FIG. 6

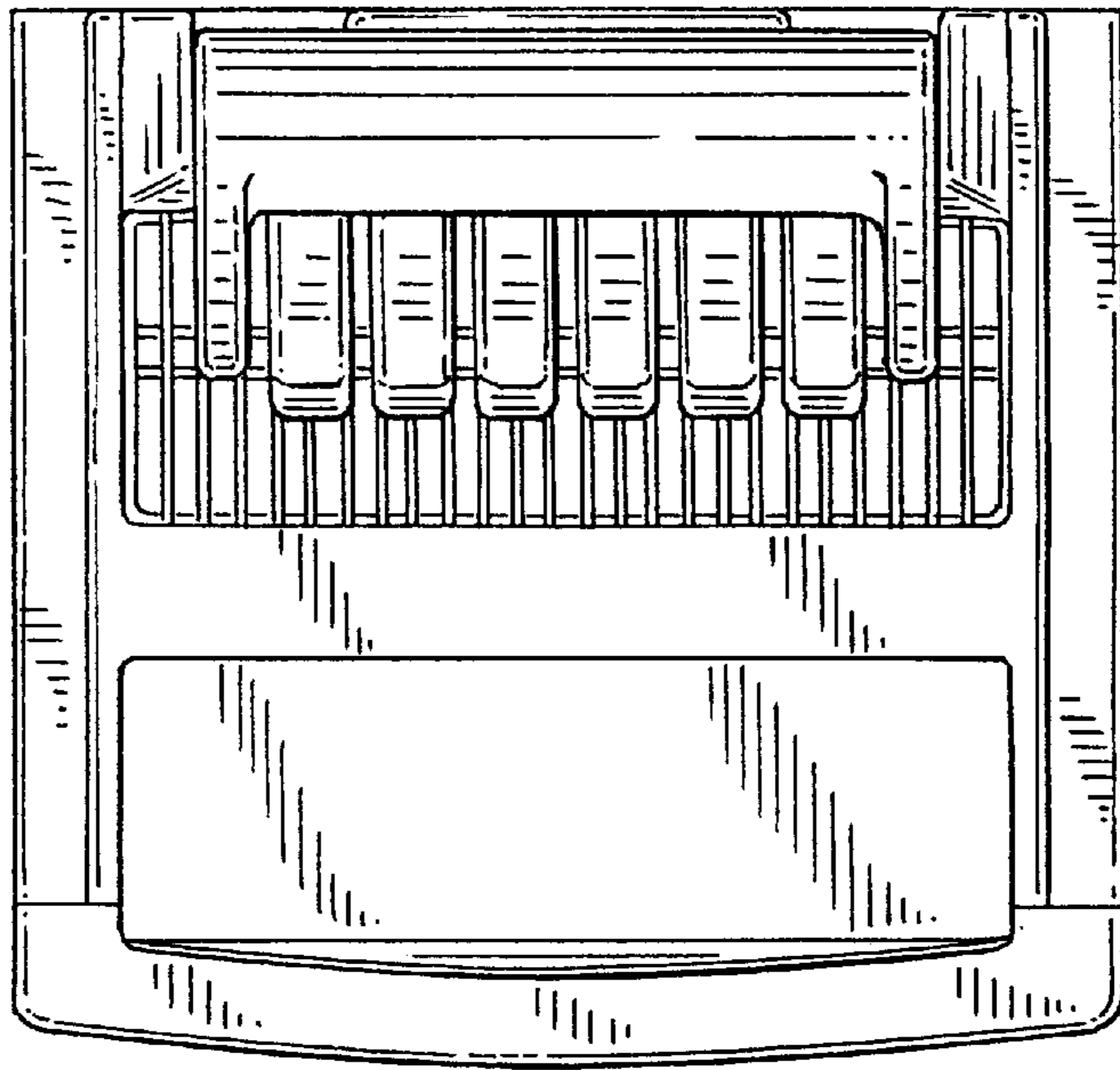


FIG. 7

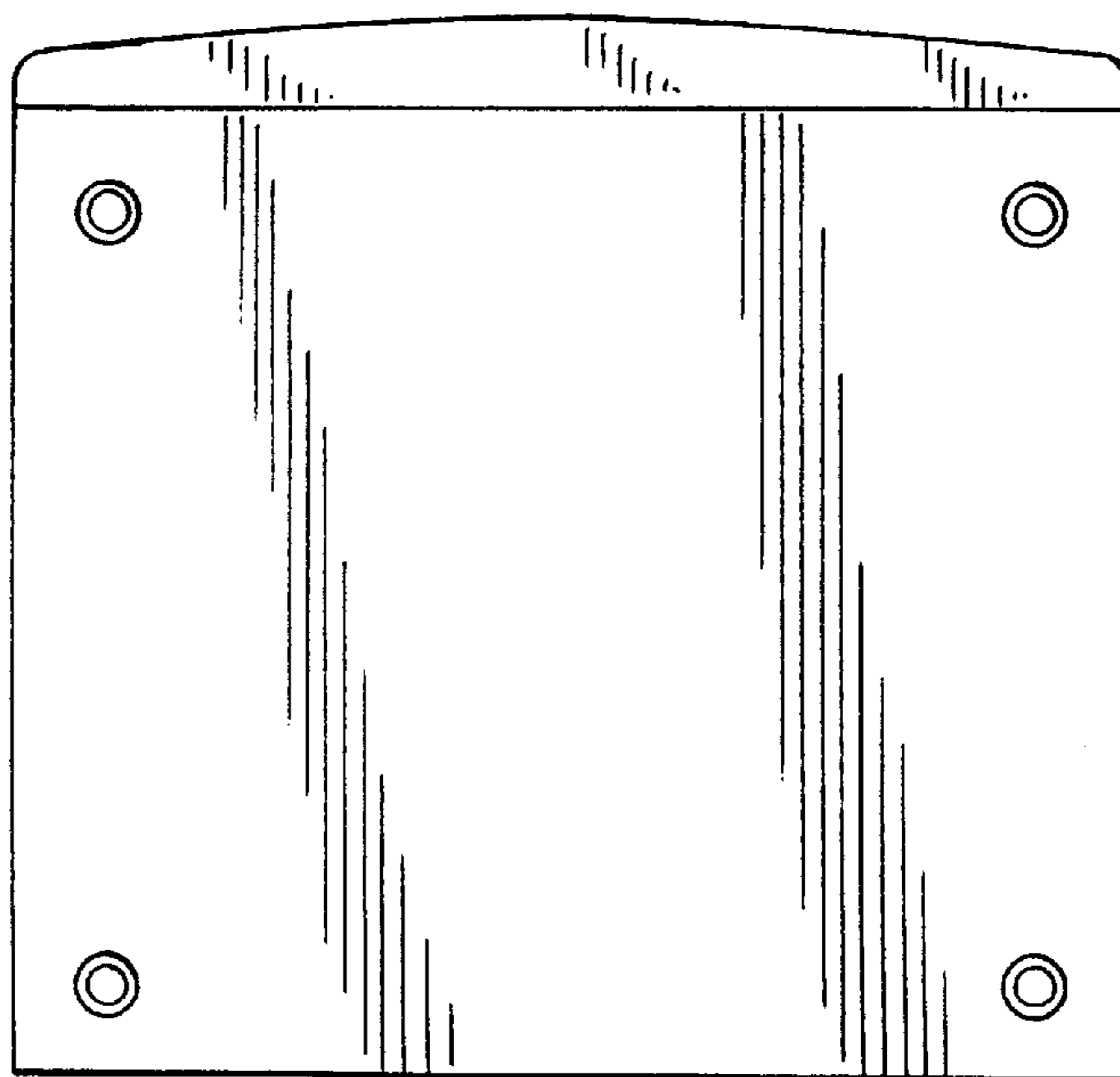
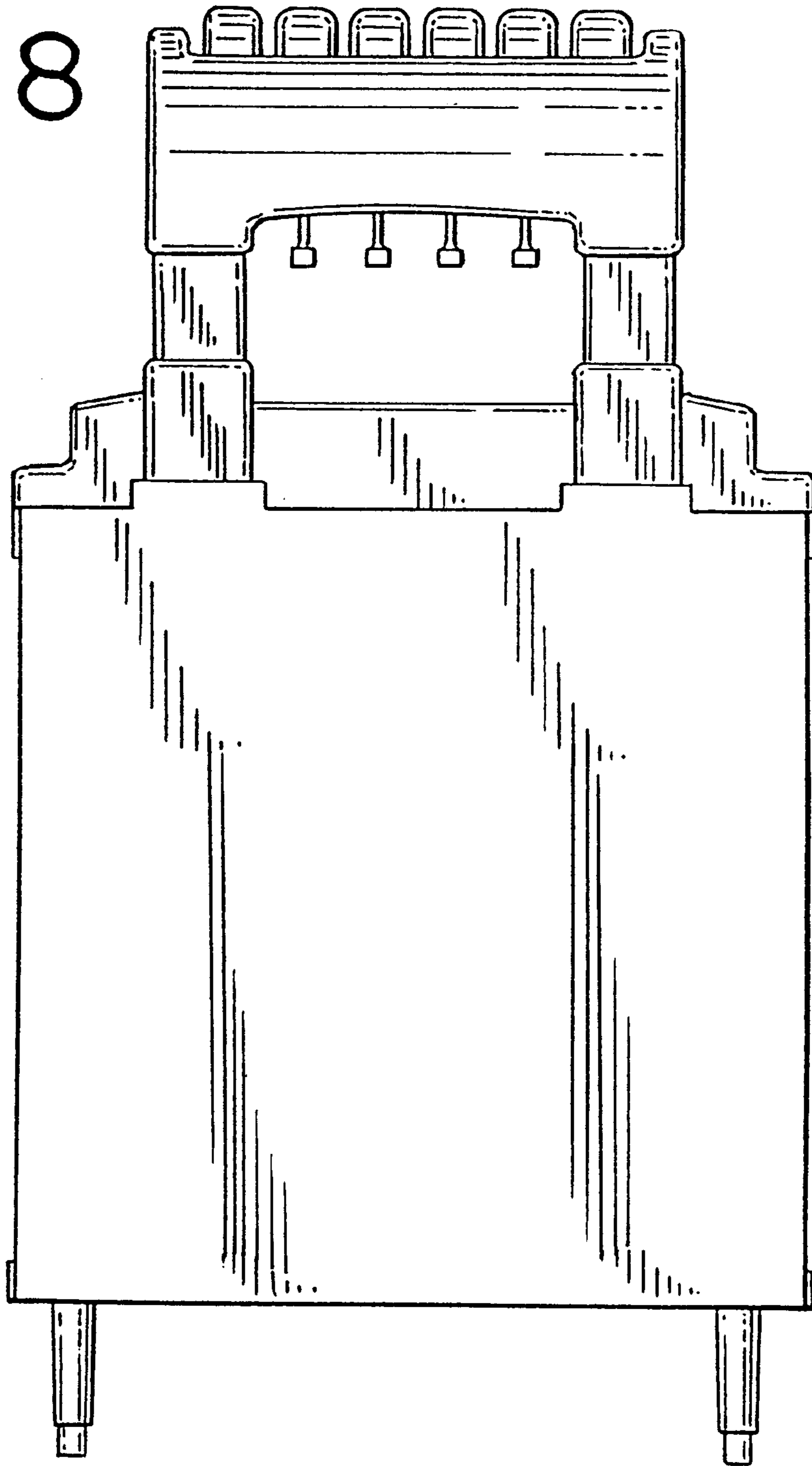


FIG. 8



UNITED STATES PATENT AND TRADEMARK OFFICE  
**CERTIFICATE OF CORRECTION**

PATENT NO. : Des. 462,225 S  
DATED : September 3, 2002  
INVENTOR(S) : Melvin D. Kyees et al.

Page 1 of 1

It is certified that error appears in the above-identified patent and that said Letters Patent is hereby corrected as shown below:

Title page,  
DESCRIPTION,  
Line 3, delete "as as" and substitute -- as -- in its place.

Signed and Sealed this

Twenty-second Day of April, 2003

A handwritten signature in black ink, appearing to read "James E. Rogan", written over a horizontal line.

JAMES E. ROGAN  
*Director of the United States Patent and Trademark Office*