



US00D462224S

(12) **United States Design Patent**
Bellin et al.

(10) **Patent No.: US D462,224 S**

(45) **Date of Patent: ** Sep. 3, 2002**

(54) **CASE FOR STORING AND TRANSPORTING COMPACT DISCS AND ACCESSORY MATERIALS**

(75) Inventors: **Russell D. Bellin**, Los Angeles; **Christopher Cupker Glupker**, Van Nuys; **Lance Hussey**, Simi Valley; **Mun Pook Lui**, Northridge; **Ravi Sawhney**, Calabasas; **Craig Steele**, Manhattan Beach; **Alvin Tolosa**, Ventura; **Albert R. Trussell**, Los Angeles, all of CA (US)

(73) Assignee: **Church of Spiritual Technology**, Los Angeles, CA (US)

(**) Term: **14 Years**

(21) Appl. No.: **29/149,227**

(22) Filed: **Oct. 4, 2001**

(51) **LOC (7) Cl. 06-04**

(52) **U.S. Cl. D6/632; D6/407**

(58) **Field of Search** D3/201, 218, 272, D3/273, 276, 905; D6/407, 626-635; D9/337, 445, 454; D19/26, 27, 32, 65, 75-77, 81; D28/77; 206/232, 307.1, 308.1, 308.2, 308.3, 309, 310, 311, 312, 313, 387.11, 387.13, 387.15; 312/9.57, 902, 9.9, 9.48, 9.55, 9.64, 9.47, 9.53, 328; 379/355

(56) **References Cited**

U.S. PATENT DOCUMENTS

D201,781 S	*	7/1965	Cuccio et al.	
D255,038 S	*	5/1980	Itakura	D21/385
D262,752 S	*	1/1982	Pepicelli, Jr. et al.	D6/633
D285,144 S	*	8/1986	Roskvist	D6/632

D288,983 S	*	3/1987	Juhas et al.	D6/634
D297,385 S	*	8/1988	Bennett	D6/631
D333,382 S	*	2/1993	Cheng	D6/634
D343,730 S	*	2/1994	Taylor	D6/630
D351,727 S	*	10/1994	Tarozzi	D3/276
D358,055 S	*	5/1995	Long et al.	D6/632
D365,206 S	*	12/1995	Goodman	D3/273
D385,454 S	*	10/1997	Marsilio et al.	D6/634
D401,463 S	*	11/1998	Cheris et al.	D6/634
5,878,878 A	*	3/1999	Wu	206/307
D414,977 S	*	10/1999	Hales et al.	D6/631
6,024,215 A	*	2/2000	Leung	206/308.1
D437,521 S	*	2/2001	Leung	D6/635
6,184,788 B1	*	2/2001	Middlemiss et al.	340/568.7
D452,938 S	*	1/2002	Lai	D28/77
D452,939 S	*	1/2002	Lai	D28/77

* cited by examiner

Primary Examiner—Celia Murphy

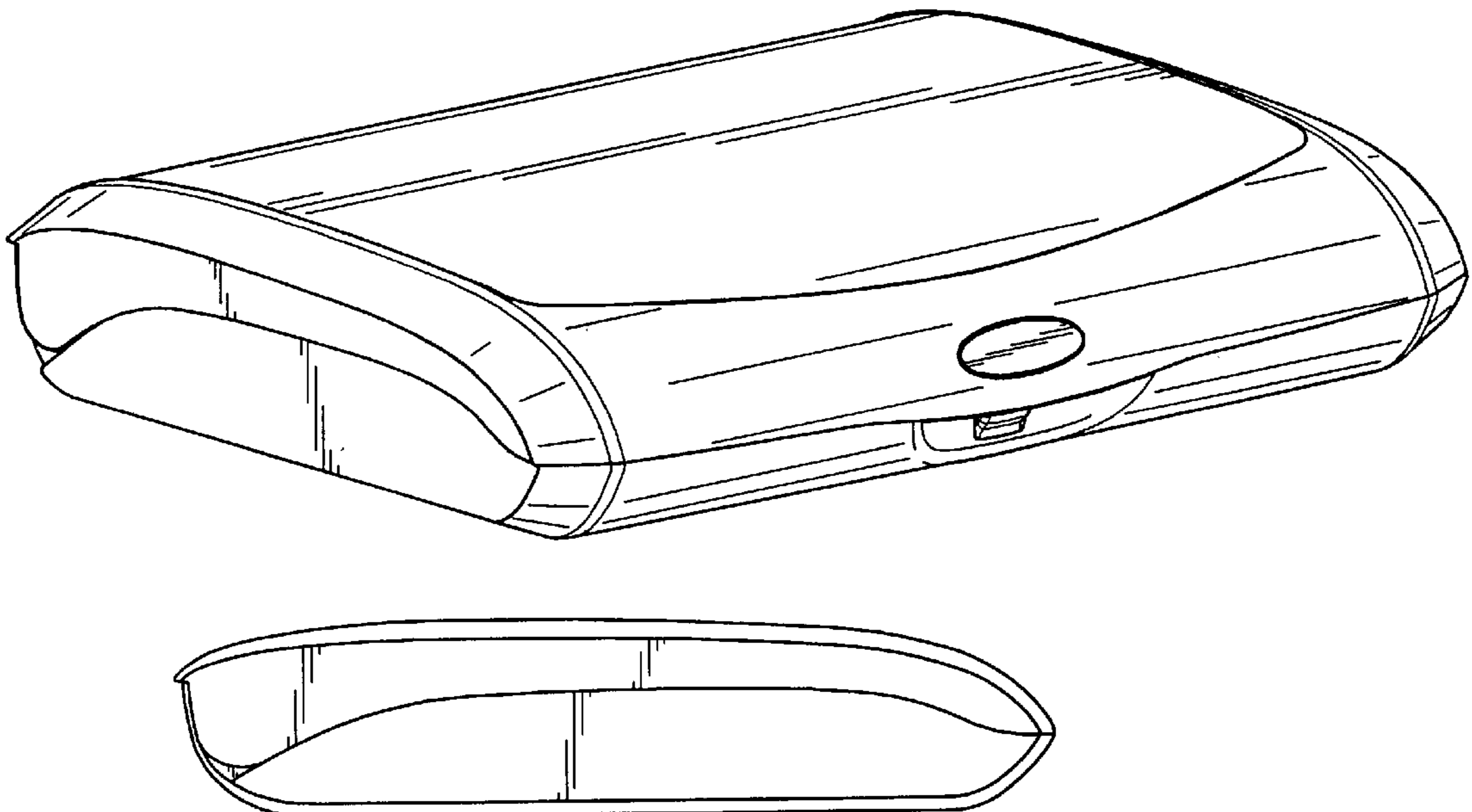
(57) **CLAIM**

The ornamental design for a case for storing and transporting compact discs and accessory materials, as shown and described.

DESCRIPTION

FIG. 1 is a front perspective view of a case for storing and transporting compact discs and accessory materials showing our new design;
FIG. 2 is a front elevational view thereof;
FIG. 3 is a rear elevational view thereof;
FIG. 4 is a left side elevational view of FIG. 2, the right side being a mirror image thereof;
FIG. 5 is a top plan view thereof; and,
FIG. 6 is a bottom plan view thereof.

1 Claim, 3 Drawing Sheets



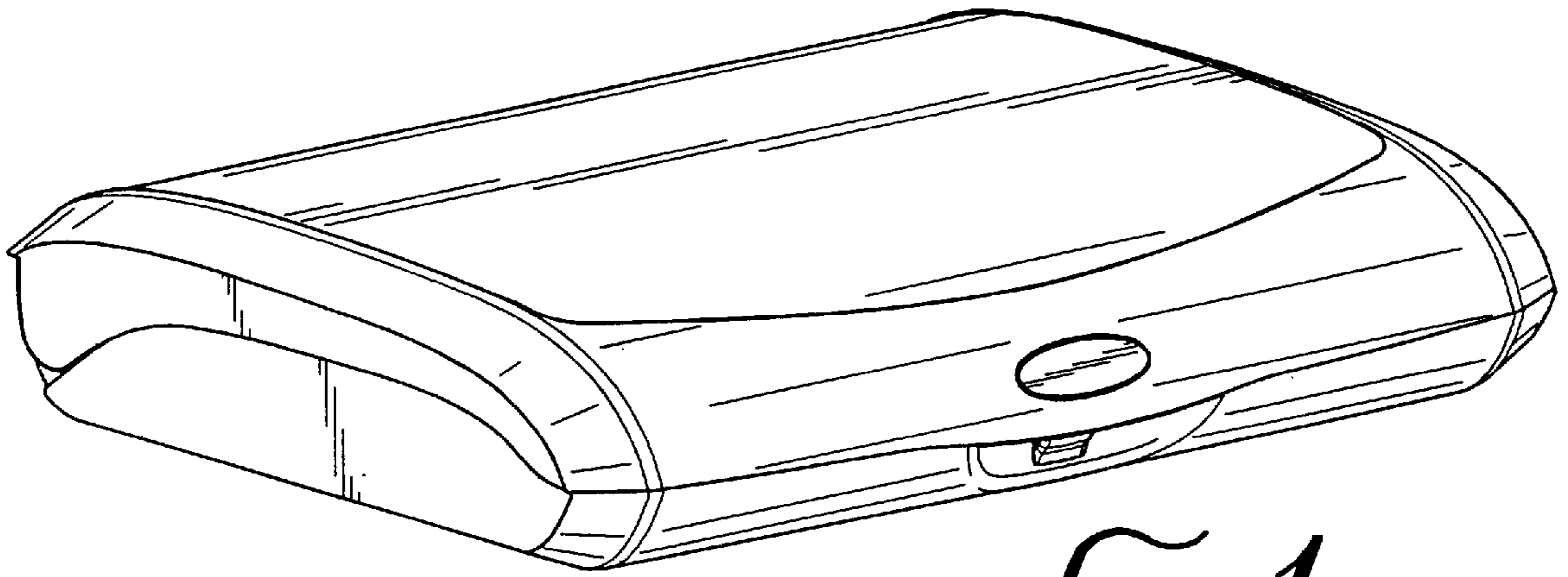


FIG. 1

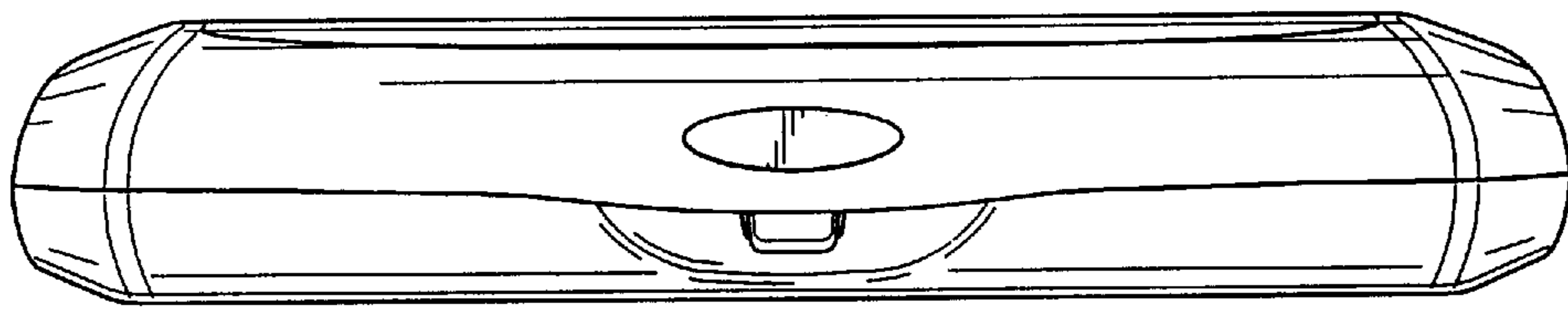


FIG. 2

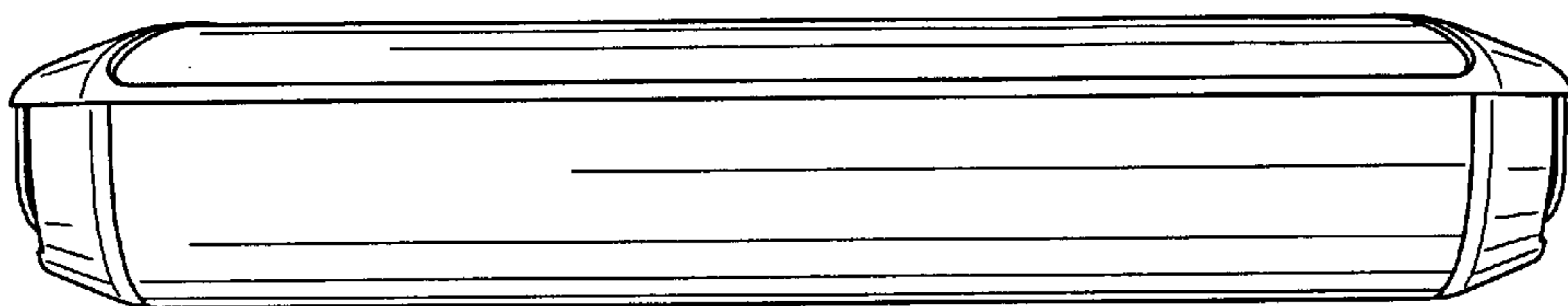


FIG. 3

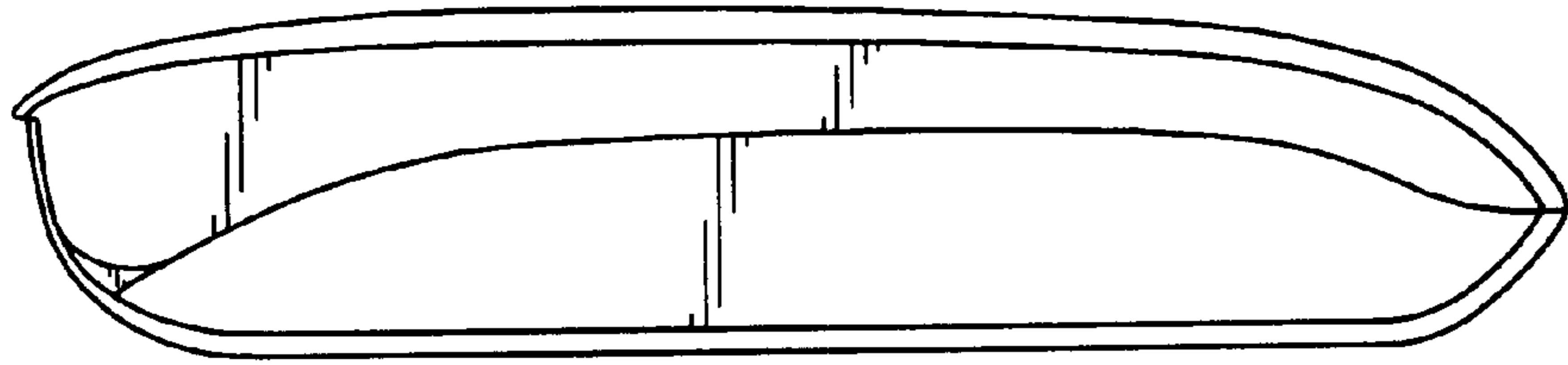


FIG. 4

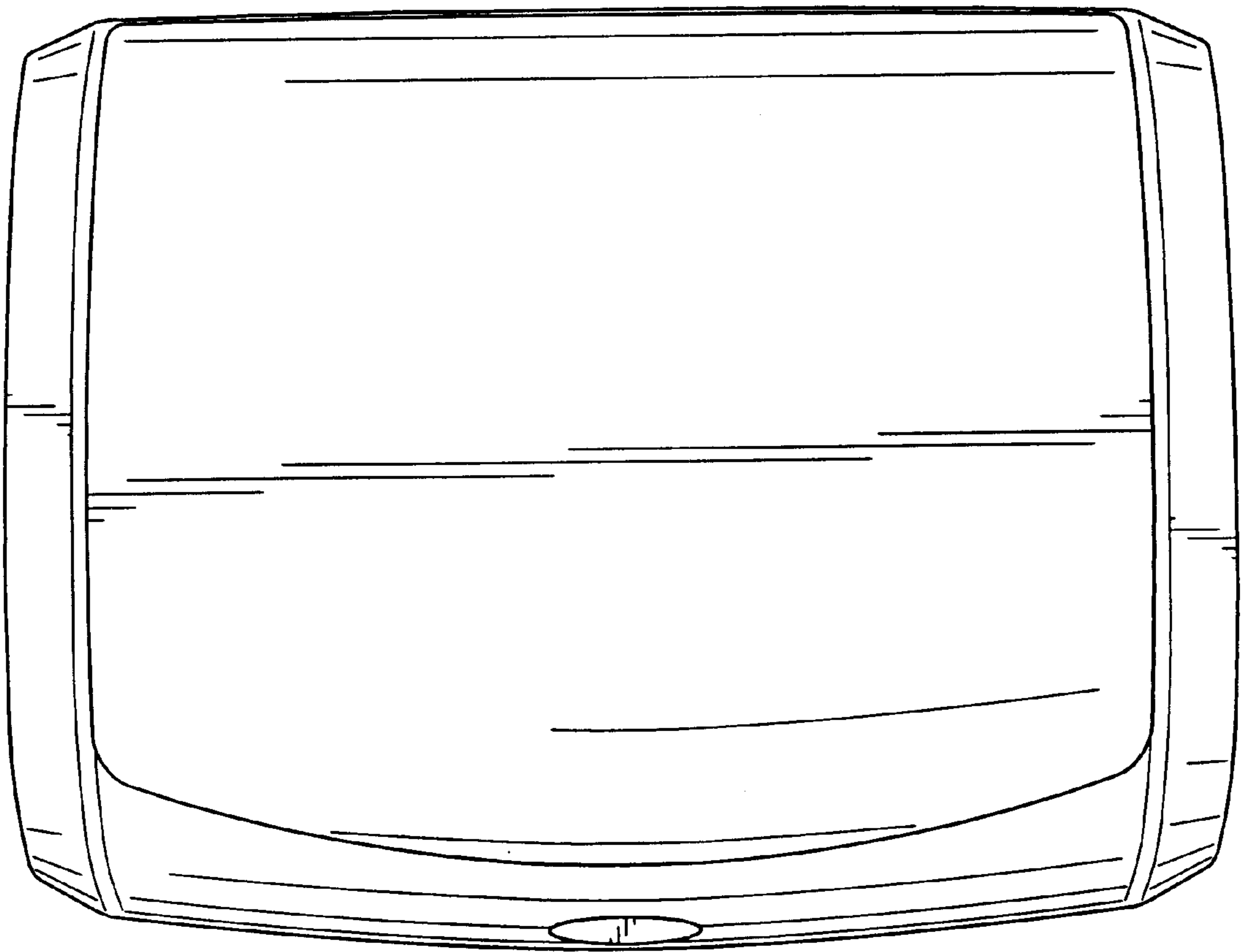


FIG. 5

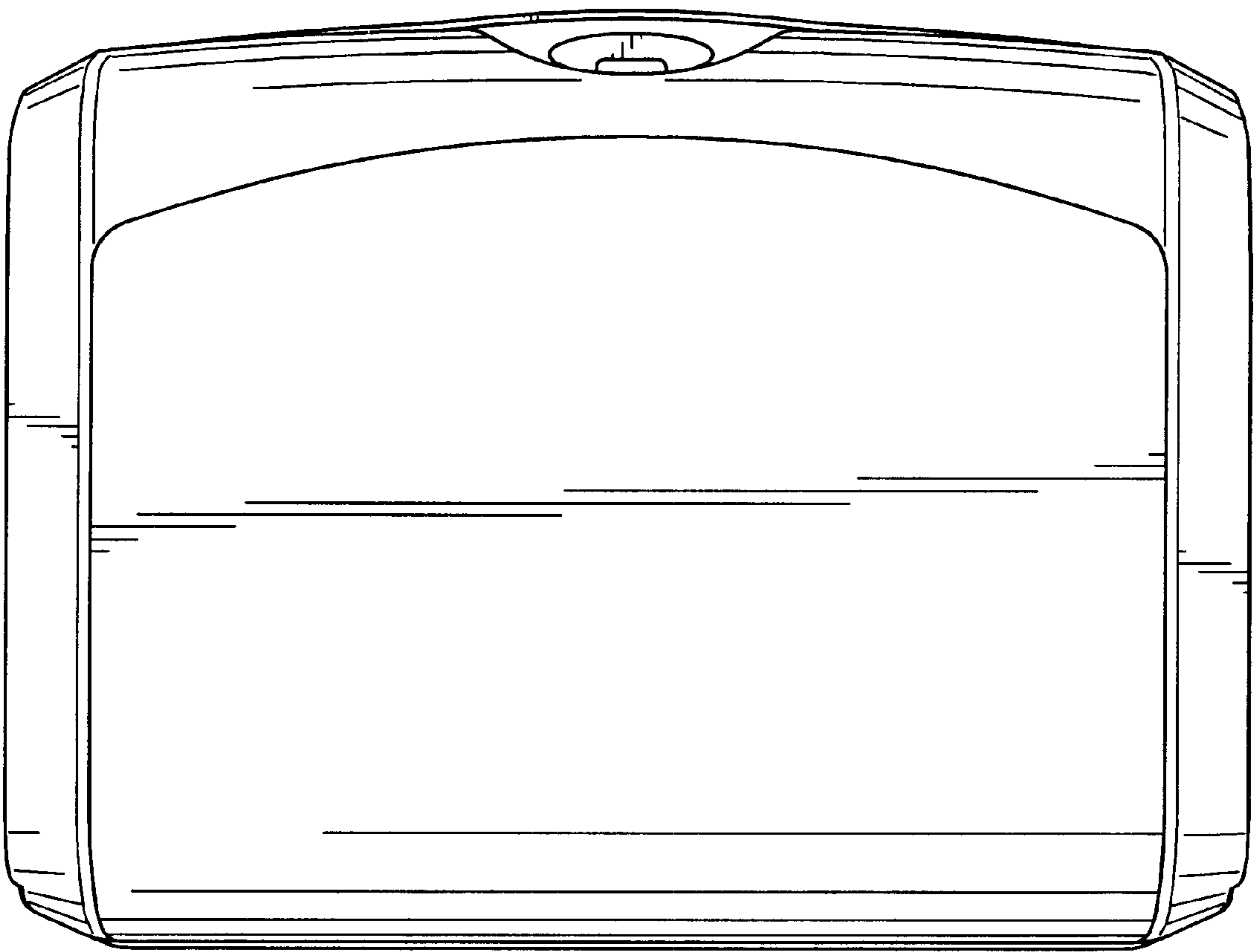


FIG. 6