



US00D462219S

(12) **United States Design Patent**
Lowe

(10) **Patent No.:** **US D462,219 S**

(45) **Date of Patent:** **** Sep. 3, 2002**

(54) **HINGE MOUNTABLE RACK WITH SWIVEL LOOP ARMS**

(75) Inventor: **Richard Bernard Lowe**, Indianapolis, IN (US)

(73) Assignee: **Richard Lowe**, Indianapolis, IN (US)

(**) Term: **14 Years**

(21) Appl. No.: **29/128,173**

(22) Filed: **Aug. 18, 2000**

(51) **LOC (7) Cl.** **06-04**

(52) **U.S. Cl.** **D6/548**

(58) **Field of Search** D6/548, 549, 546, D6/552, 566; D8/349; 211/16, 85.29, 86.01, 87.01, 88.04, 106, 119.004, 181.1, 182, 96; 248/200, 205.1, 213.1

(56) **References Cited**

U.S. PATENT DOCUMENTS

2,684,225 A * 7/1954 Johnson 211/86.01

3,825,127 A * 7/1974 Morrison et al. 211/96
4,721,212 A * 1/1988 Lowe 211/119.004
D302,507 S * 8/1989 Herrick D6/548
D371,033 S * 6/1996 Lowe D6/548
D378,967 S * 4/1997 Lowe D6/566
D412,630 S * 8/1999 Lowe D6/548 X

* cited by examiner

Primary Examiner—Brian N. Vinson

(57) **CLAIM**

The ornamental design for a hinge mountable rack with swivel loop arms, as shown and described.

DESCRIPTION

FIG. 1 is a front view of a hinge mountable rack with swivel loop arms showing my design; FIG. 2 is a top view thereof; and, FIG. 3 is a perspective view.

1 Claim, 1 Drawing Sheet

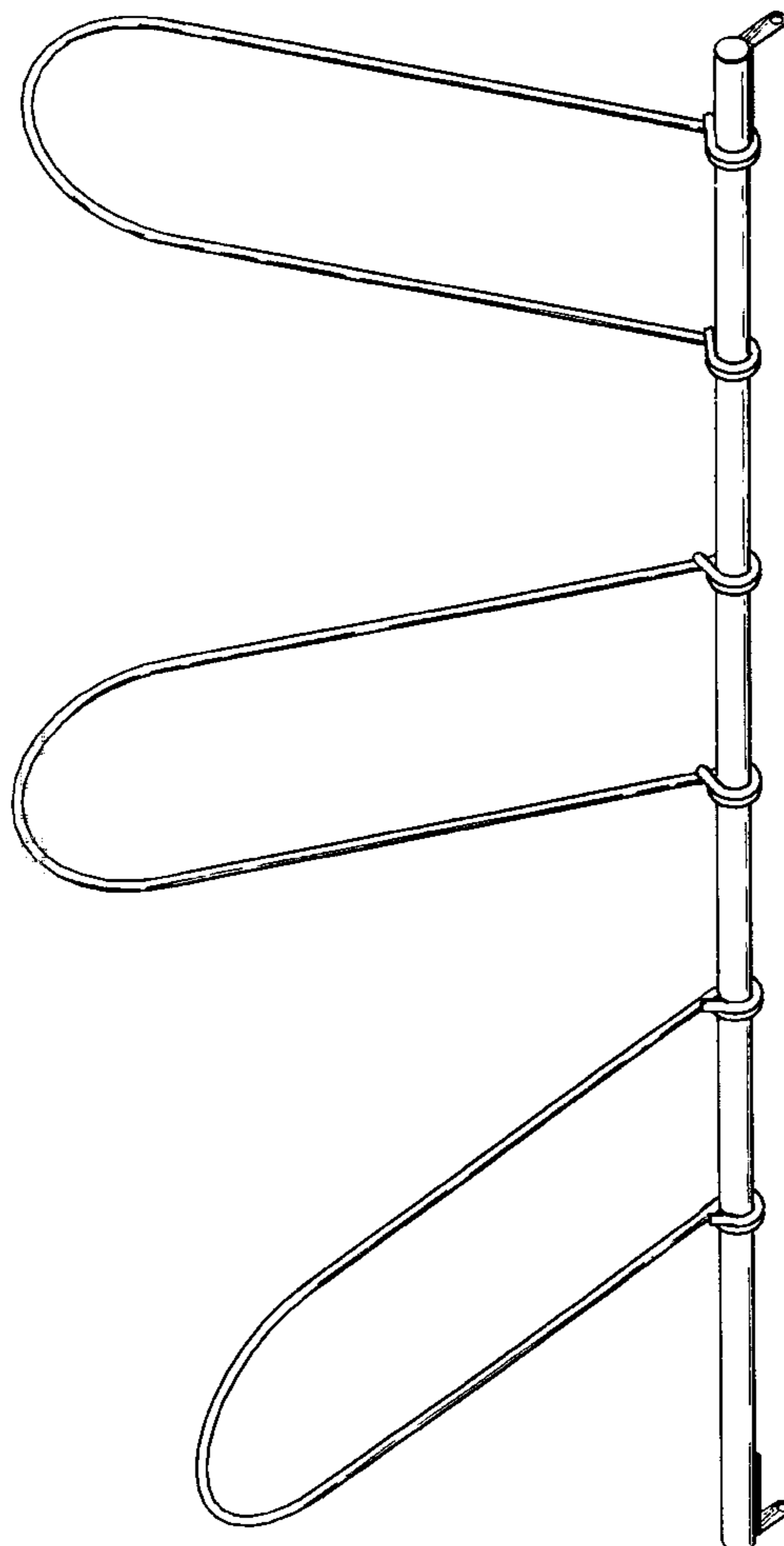


Fig. 2

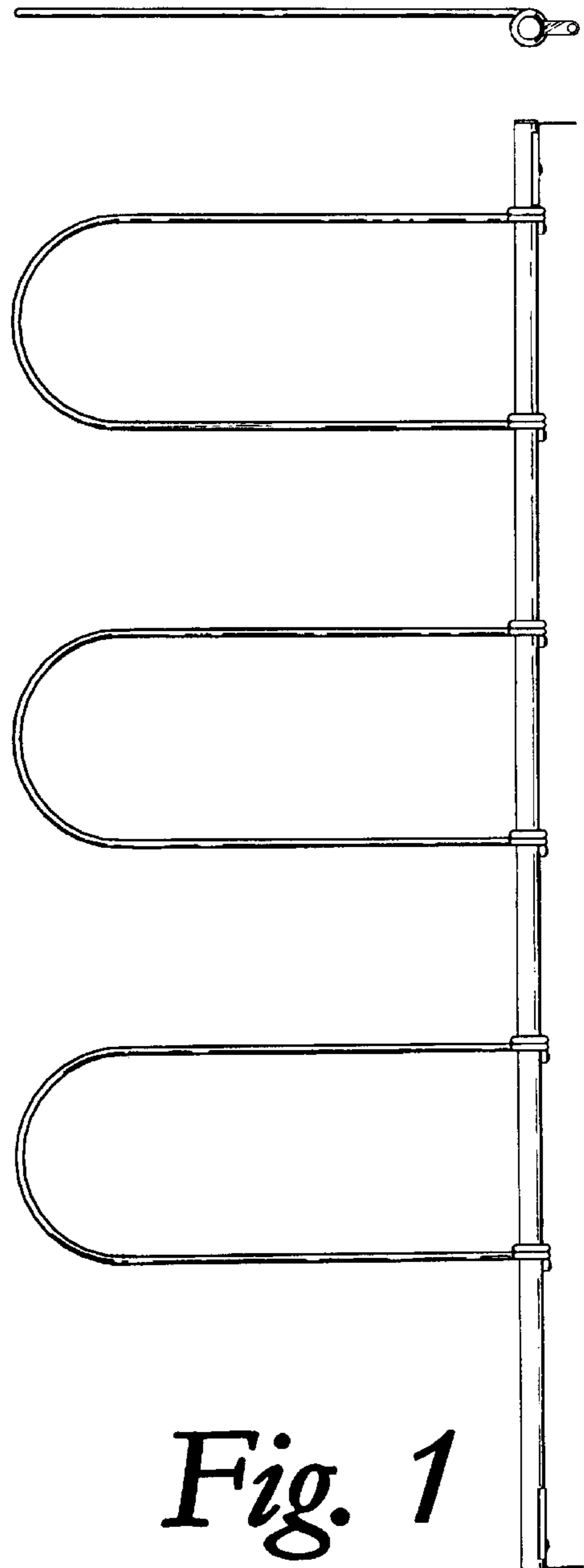


Fig. 1

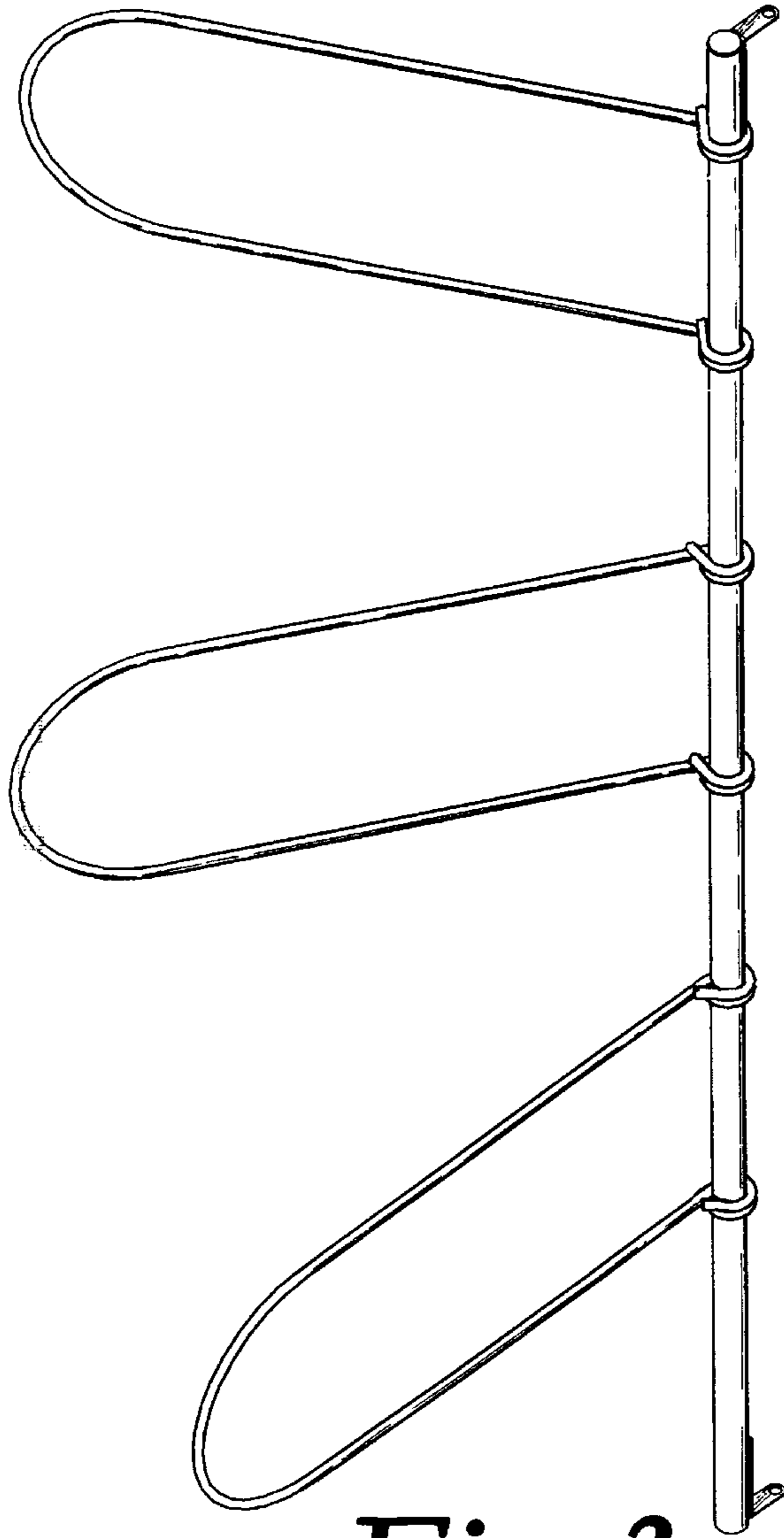


Fig. 3