



US00D462218S

(12) **United States Design Patent**
DeKoning et al.

(10) **Patent No.:** **US D462,218 S**

(45) **Date of Patent:** **** Sep. 3, 2002**

(54) **LIQUID DISPENSER HOUSING**

(75) Inventors: **Paul W. DeKoning; Dave Knaub;**
I-Chiang Sun; Dana Reinisch, all of
Portland, OR (US)

(73) Assignee: **The Dial Corporation**, Scottsdale, AZ
(US)

(**) Term: **14 Years**

(21) Appl. No.: **29/143,717**

(22) Filed: **Jun. 19, 2001**

Related U.S. Application Data

(62) Division of application No. 29/121,588, filed on Apr. 10,
2000, now Pat. No. Des. 449,753.

(51) **LOC (7) Cl.** **23-02**

(52) **U.S. Cl.** **D6/545**

(58) **Field of Search** D6/542-545; 222/173,
222/180, 181.1, 181.3, 182, 183

(56) **References Cited**

U.S. PATENT DOCUMENTS

| | | | |
|------------|-----------|---------------|--------|
| D312,184 S | 11/1990 | DeLuca et al. | |
| D316,498 S | 4/1991 | Barry | |
| D337,229 S | 7/1993 | Giugiaro | |
| D385,139 S | * 10/1997 | Mervar et al. | D6/545 |
| D401,093 S | * 11/1998 | Arbak et al. | D6/545 |
| D417,111 S | * 11/1999 | Polan | D6/545 |
| D431,404 S | * 10/2000 | Brazis et al. | D6/545 |

* cited by examiner

Primary Examiner—Brian N. Vinson

(74) *Attorney, Agent, or Firm*—Snell & Wilmer LLP

(57) **CLAIM**

The ornamental design for a liquid dispenser housing, as shown and described.

DESCRIPTION

FIG. 1 is a top, front, and left side perspective view of a liquid dispenser housing showing our new design;

FIG. 2 is a top, front, and left side perspective view of a liquid dispenser housing showing a second embodiment of our new design;

FIG. 3 is a front elevational view thereof;

FIG. 4 is a left side elevational view thereof;

FIG. 5 is a right side elevational view thereof;

FIG. 6 is a bottom plan view thereof;

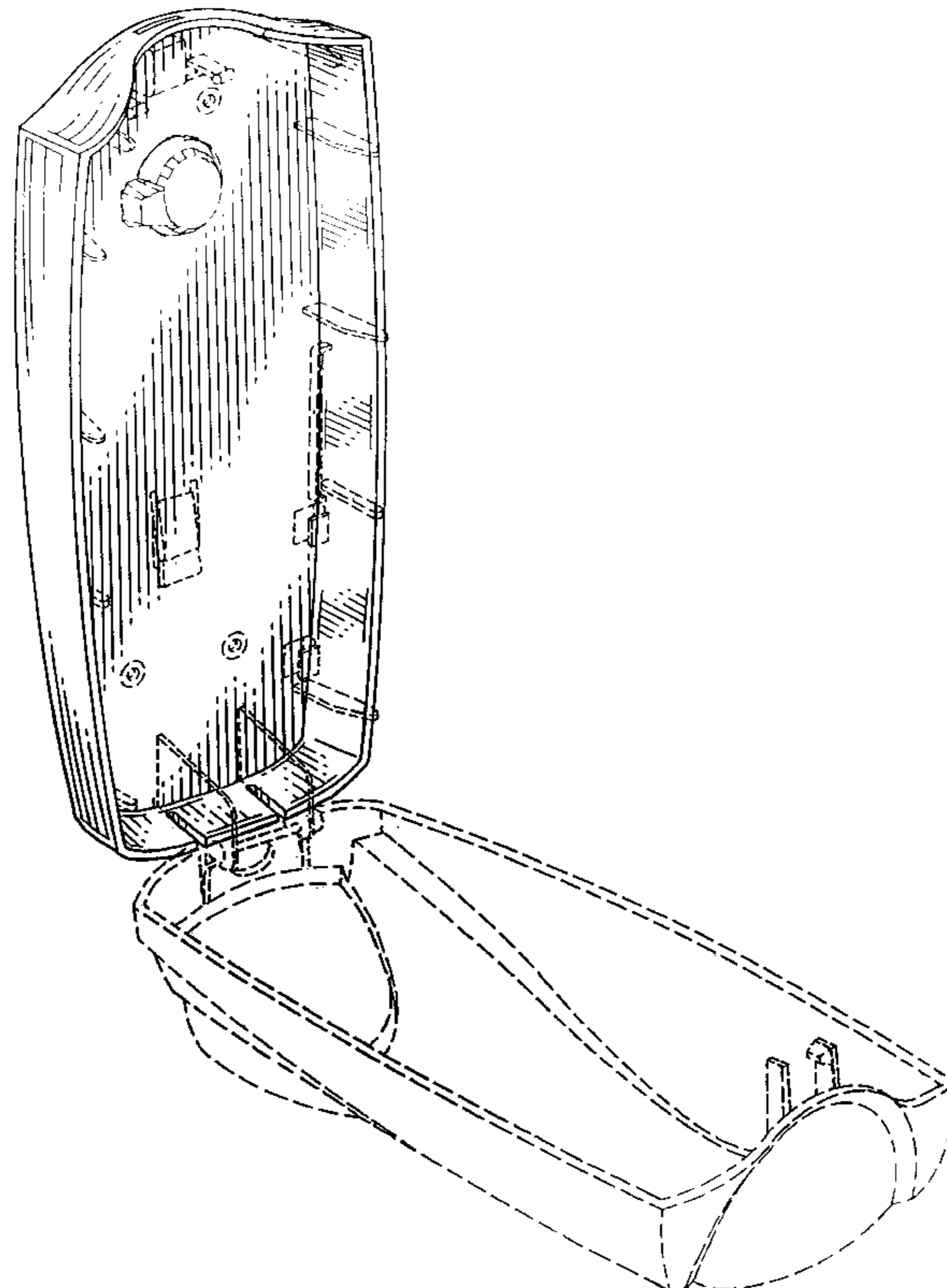
FIG. 7 is a top, front, and right side perspective view of a liquid dispenser housing showing a third embodiment of our new design;

FIG. 8 is a top, front, and right side perspective view of a liquid dispenser housing showing fourth embodiment of our new design; and,

FIG. 9 is a top, front, and right side perspective view of a liquid dispenser housing showing a fifth embodiment of our new design.

The broken-line disclosure of various elements in the views are for illustrative purposes only and forms no part of the claimed design.

1 Claim, 6 Drawing Sheets



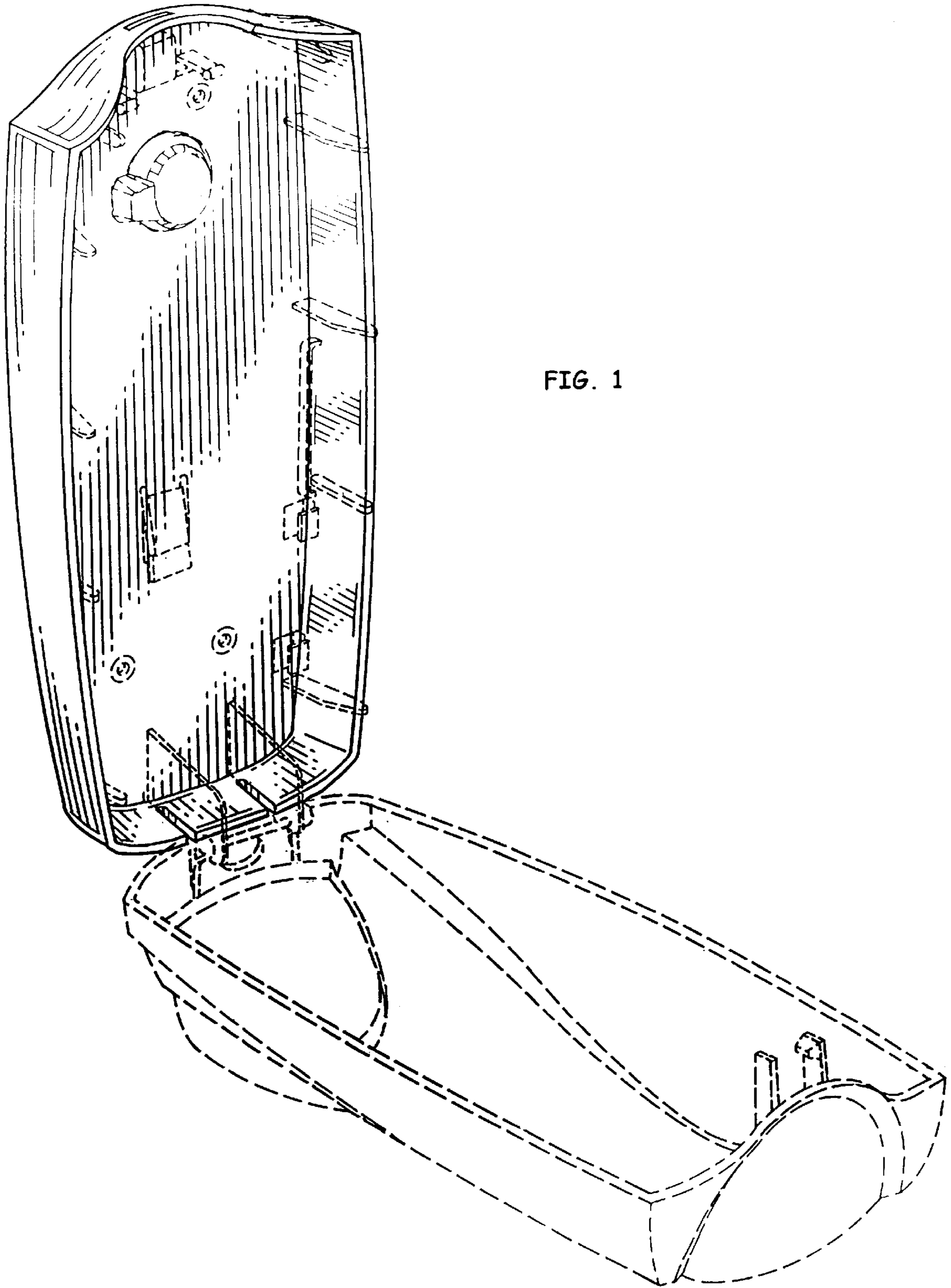


FIG. 1

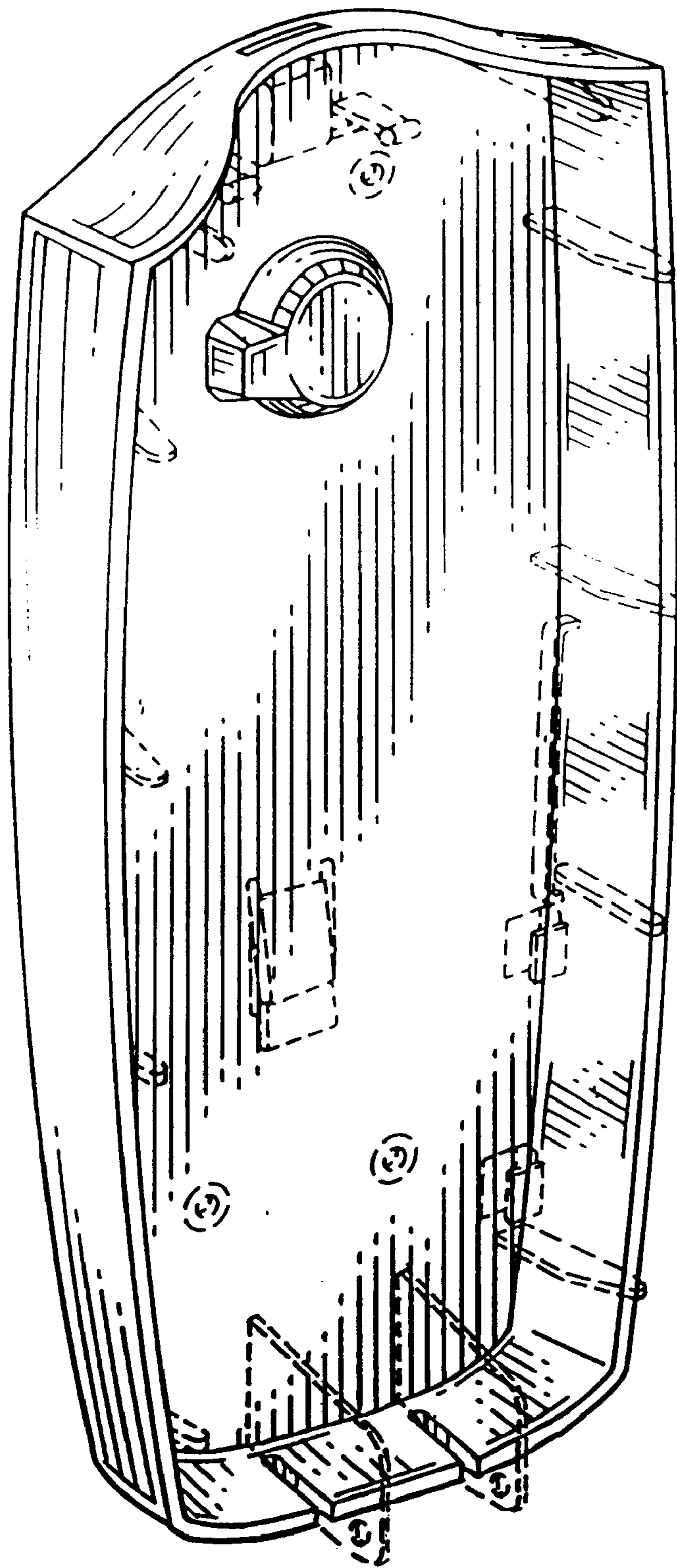


FIG. 2

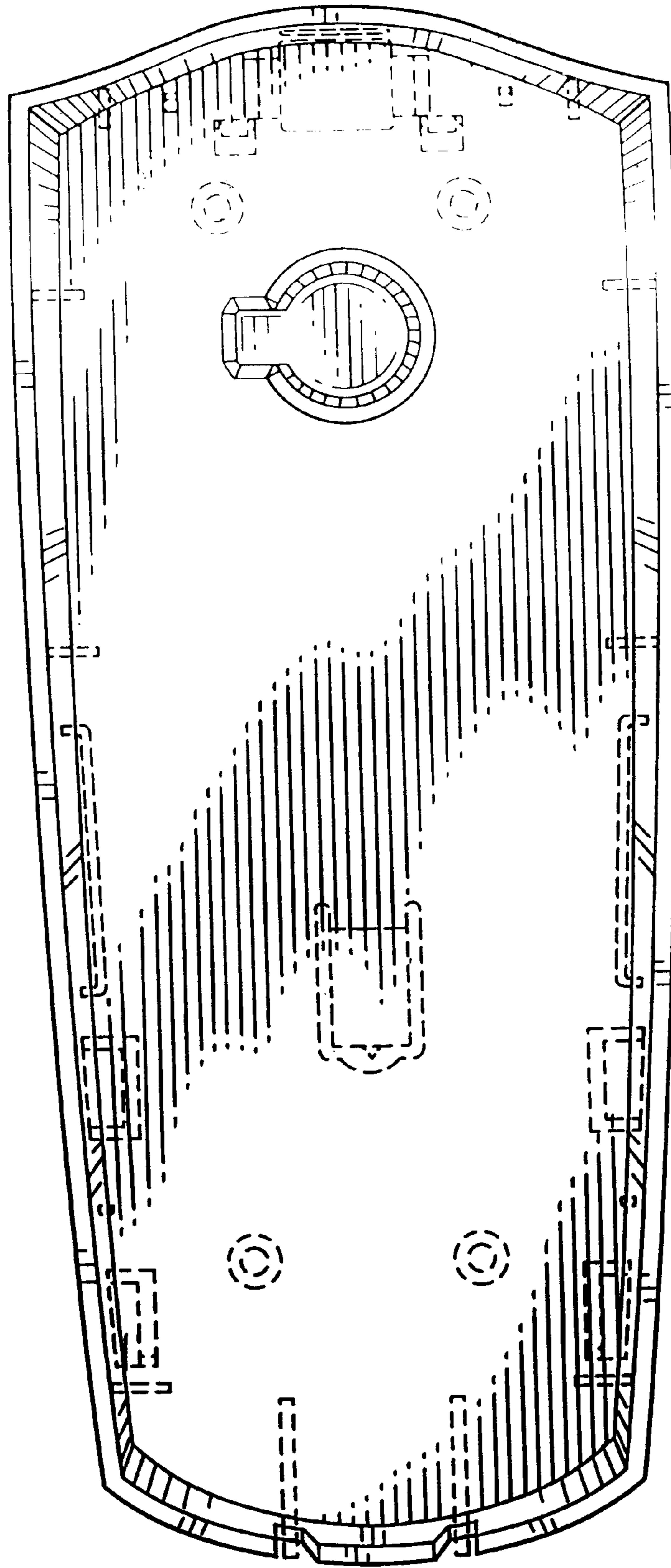


FIG. 3

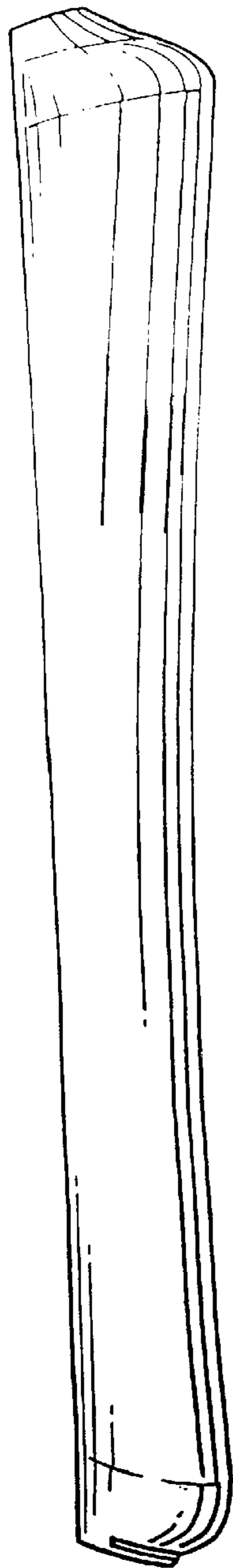


FIG. 4

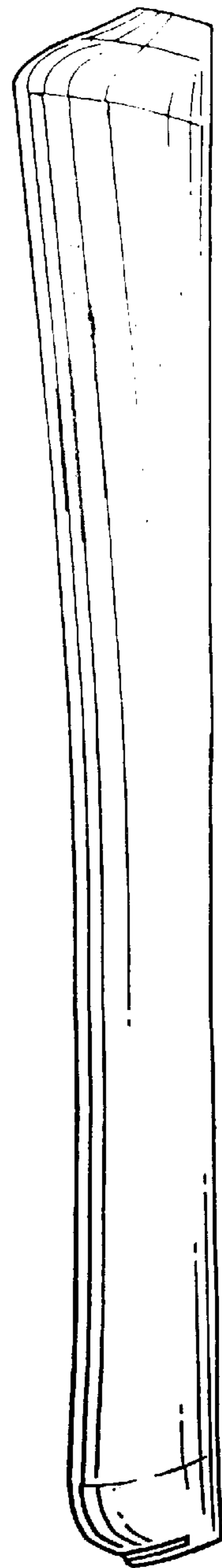


FIG. 5

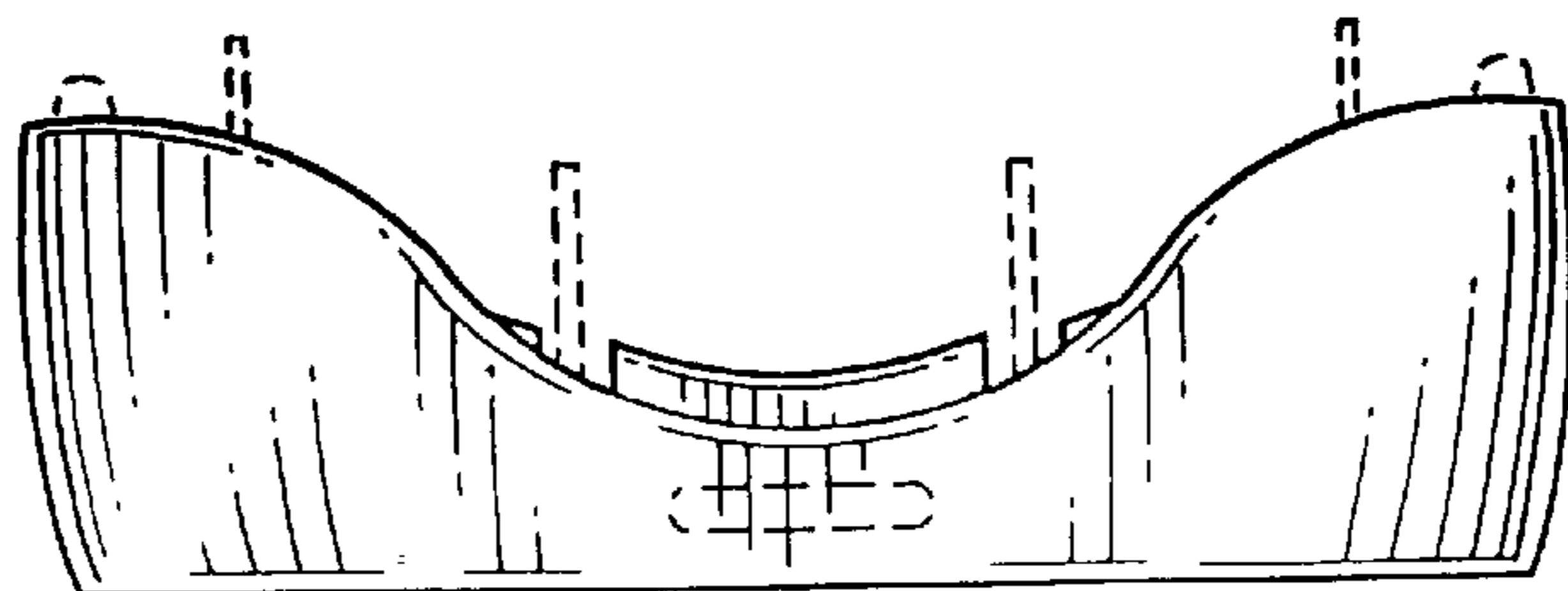


FIG. 6

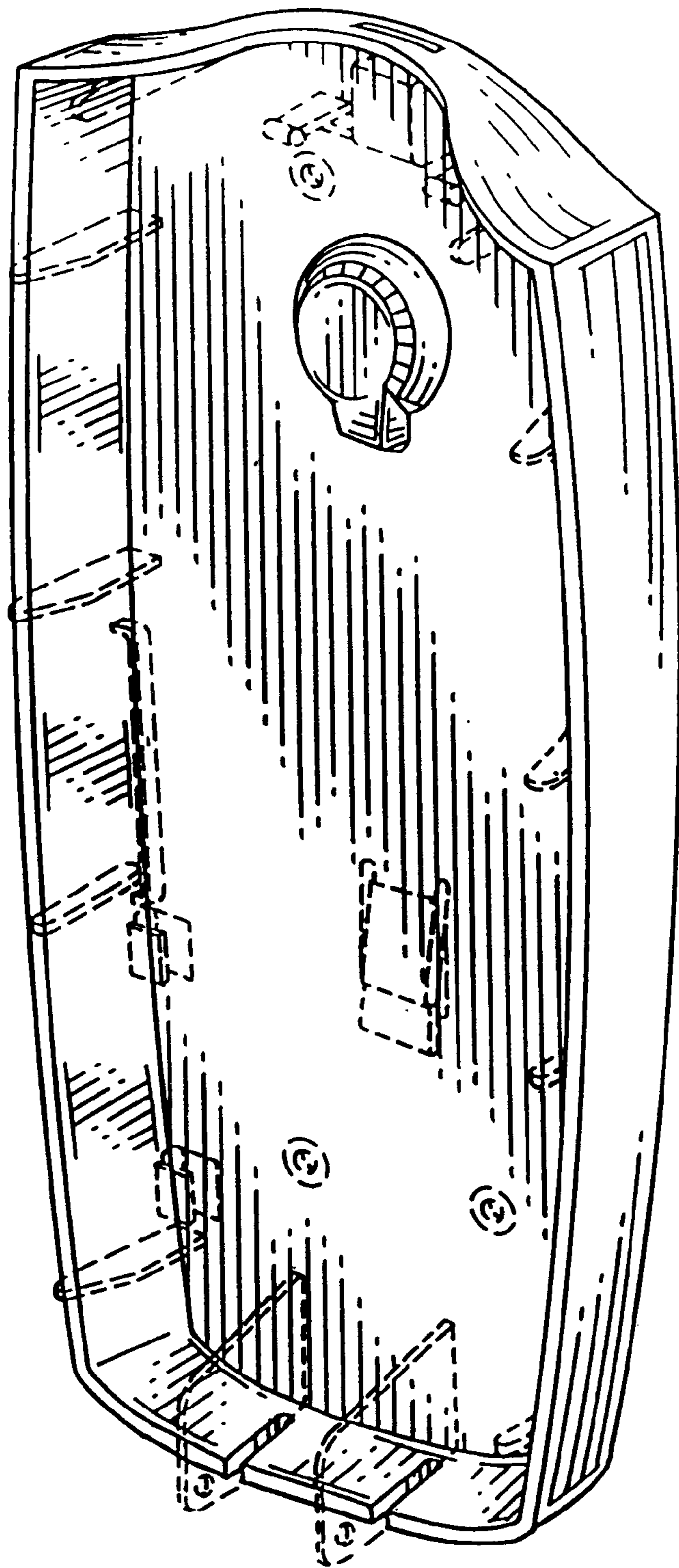


FIG. 7



FIG. 8

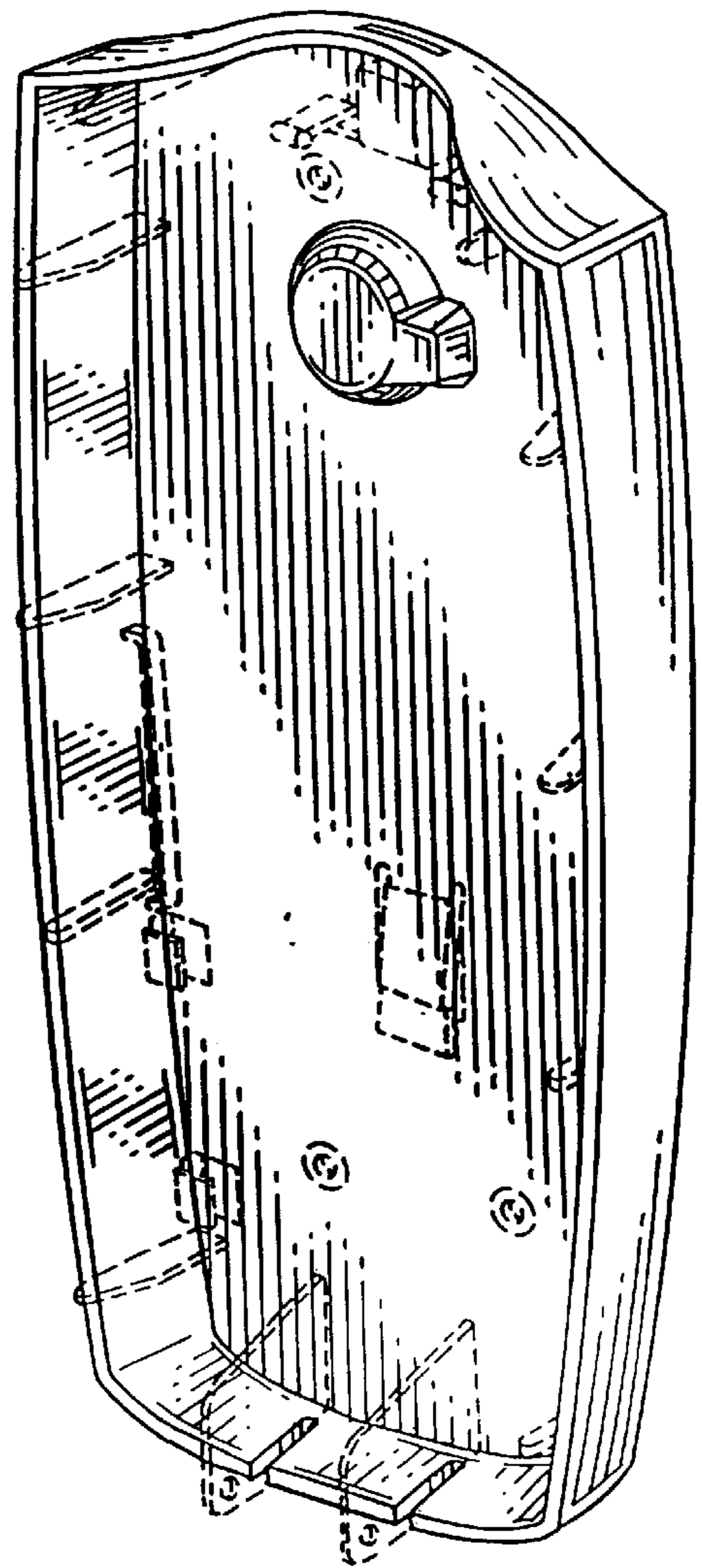


FIG. 9