



US00D462211S

(12) **United States Design Patent** (10) **Patent No.:** **US D462,211 S**  
**Bellows** (45) **Date of Patent:** **\*\* Sep. 3, 2002**

(54) **SIDE PANEL OF A BED FRAME**

- (75) Inventor: **William B. Bellows**, Wyomissing, PA (US)
- (73) Assignee: **Graco Children's Products Inc.**, Elverson, PA (US)
- (\*\*) Term: **14 Years**
- (21) Appl. No.: **29/150,766**
- (22) Filed: **Nov. 30, 2001**

**Related U.S. Application Data**

- (62) Division of application No. 29/136,359, filed on Jan. 31, 2001.
- (51) **LOC (7) Cl.** ..... **06-01**
- (52) **U.S. Cl.** ..... **D6/503**
- (58) **Field of Search** ..... D6/382-395, 503, D6/505-509; 5/53.1, 279.1, 280, 281, 907, 93.1, 97, 101, 100, 425

(56) **References Cited**

**U.S. PATENT DOCUMENTS**

- |             |         |                   |
|-------------|---------|-------------------|
| 3,135,973 A | 6/1964  | Spencer           |
| 3,383,718 A | 5/1968  | Spencer           |
| D364,754 S  | 12/1995 | Welsh, Jr. et al. |
| D438,723 S  | 3/2001  | Turner et al.     |

**OTHER PUBLICATIONS**

Evenflo Brochure, "Leading the way in New Baby Products." Evenflo Juvenile Furniture Company, Inc. Lullabye, c1936, p. 26, bed in center, 2109-8.  
 Little Tikes Brochure, Cozy Side Rail Toddler Bed/Classic Side Rail Toddler Bed, The Little Tikes Company, 3 pp., 1994.  
 Patio Rocking Chair Assembly Instructions, Semco Plastic Company Incorporated, 2 pp., 1997-1999, available at <http://www.semcoplastics.com/products/chair.htm>.

*Primary Examiner*—Janice E. Seeger  
 (74) *Attorney, Agent, or Firm*—Foley & Lardner

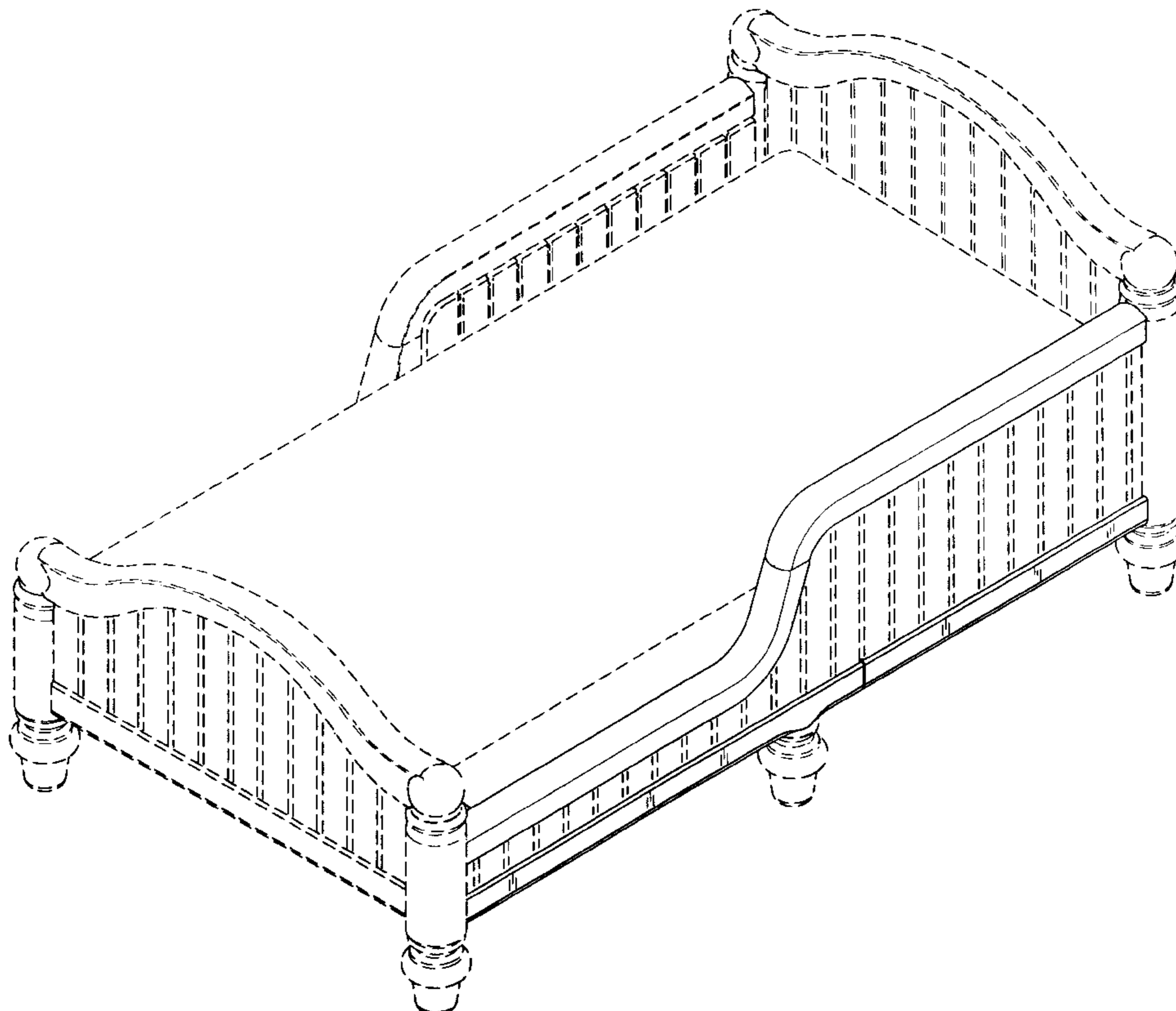
(57) **CLAIM**

The ornamental design for a side panel of a bed frame, as shown and described.

**DESCRIPTION**

FIG. 1 is a perspective view of a side panel of a bed frame showing my new design;  
 FIG. 2 is a top plan view thereof;  
 FIG. 3 is a front elevation view thereof;  
 FIG. 4 is a right-hand side view thereof; and,  
 FIG. 5 is a left-hand side view thereof.  
 The broken lines are for environmental purposes only and form no part of the claimed design.

**1 Claim, 5 Drawing Sheets**



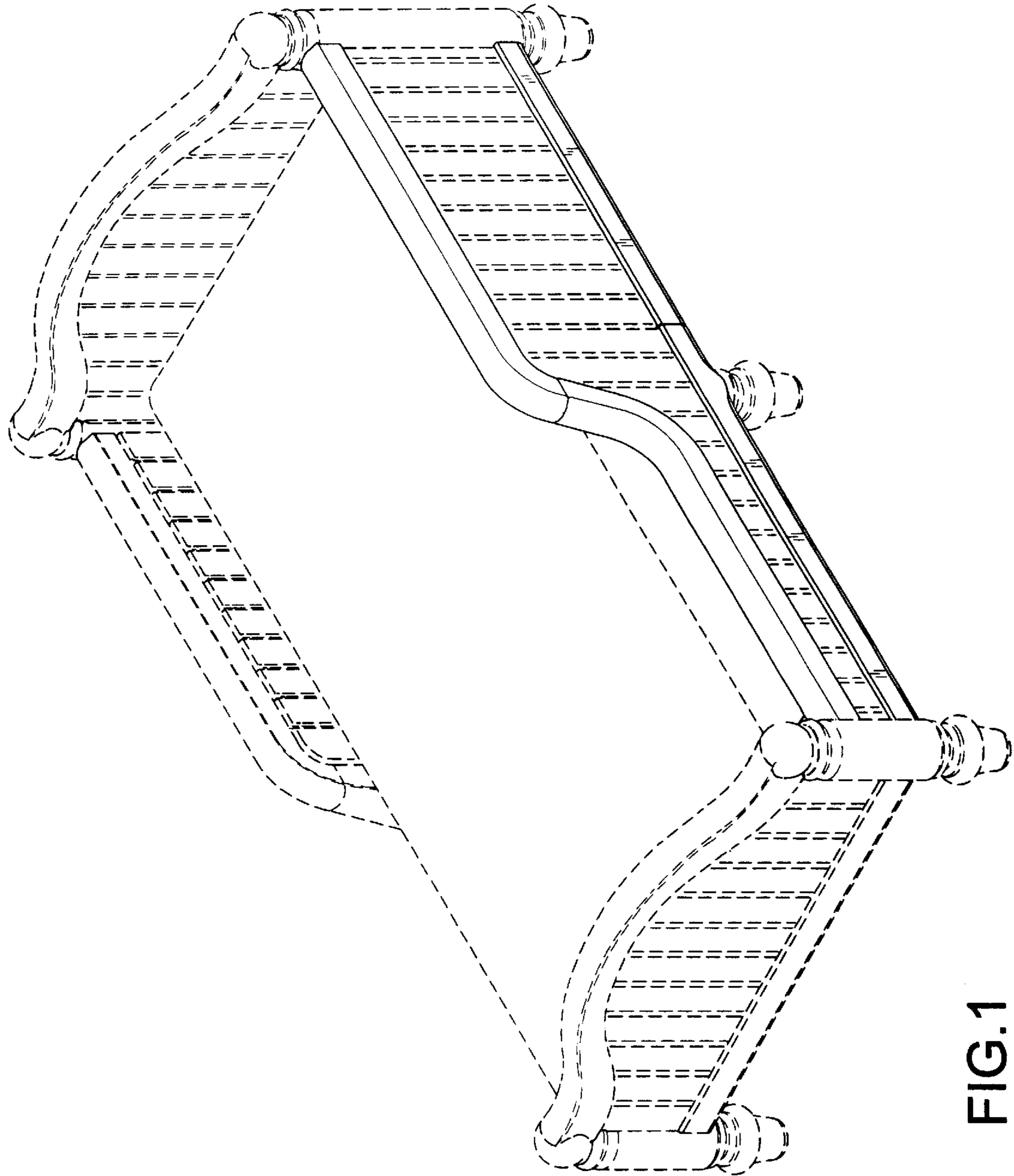


FIG. 1

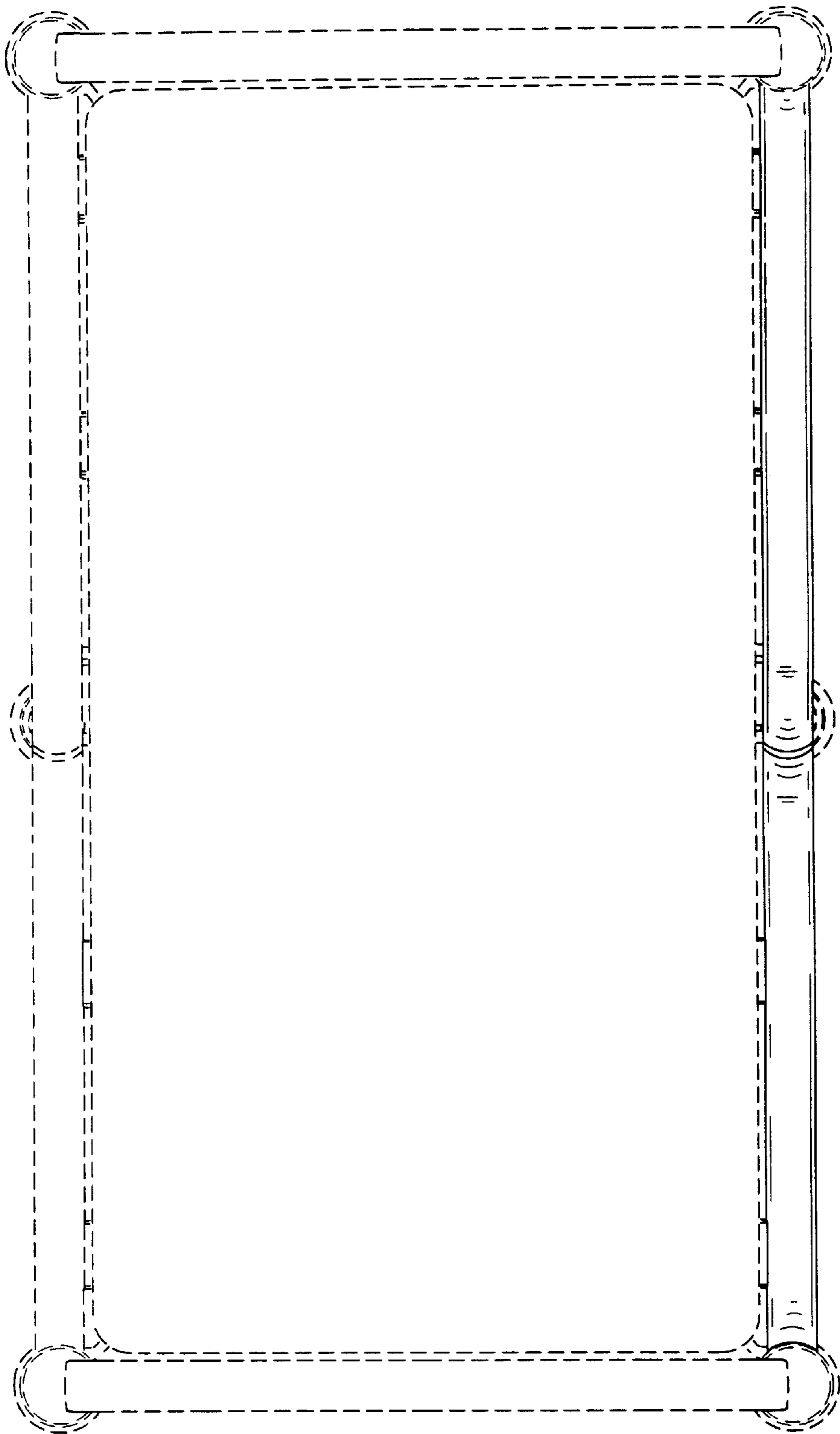


FIG.2

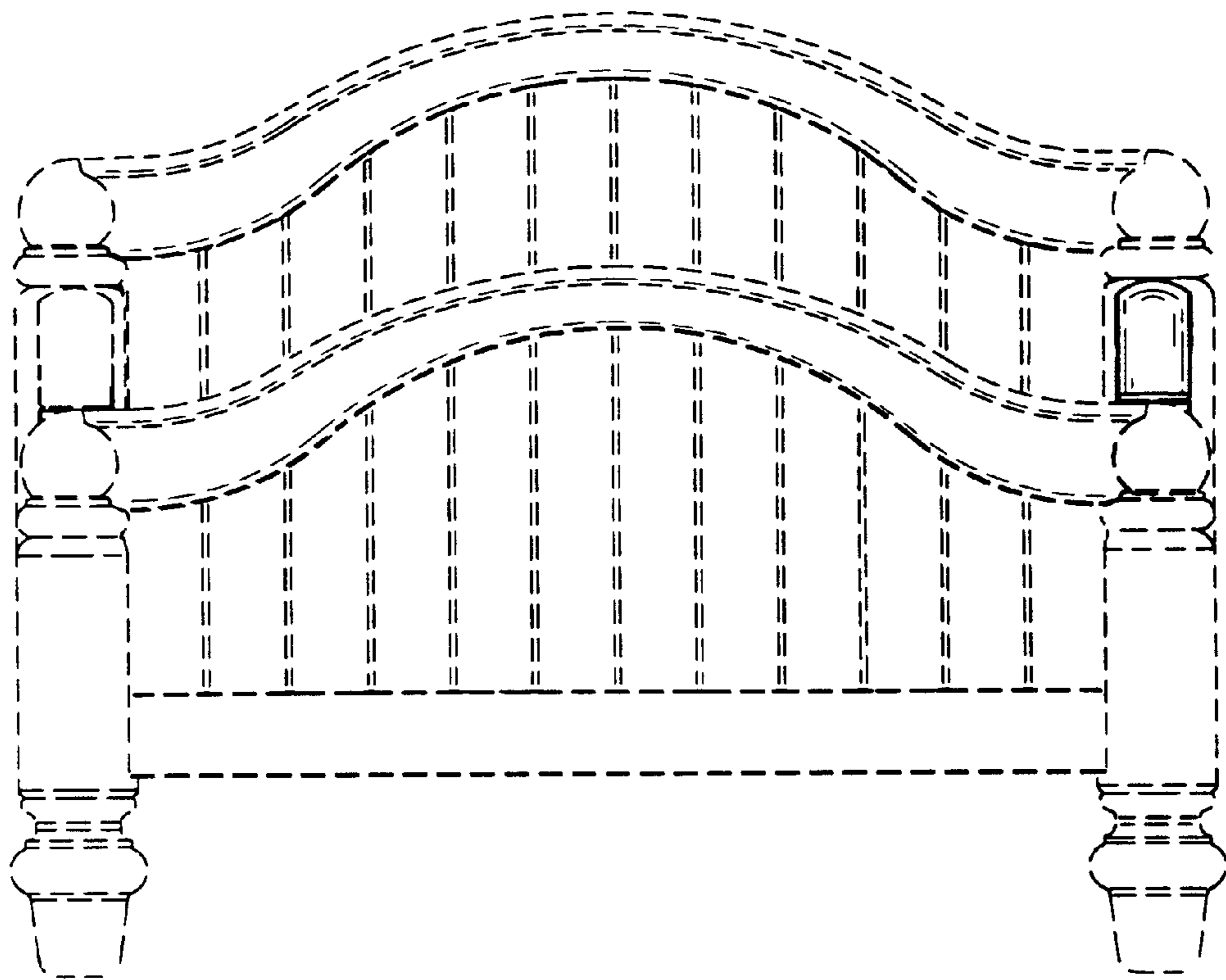


FIG.3

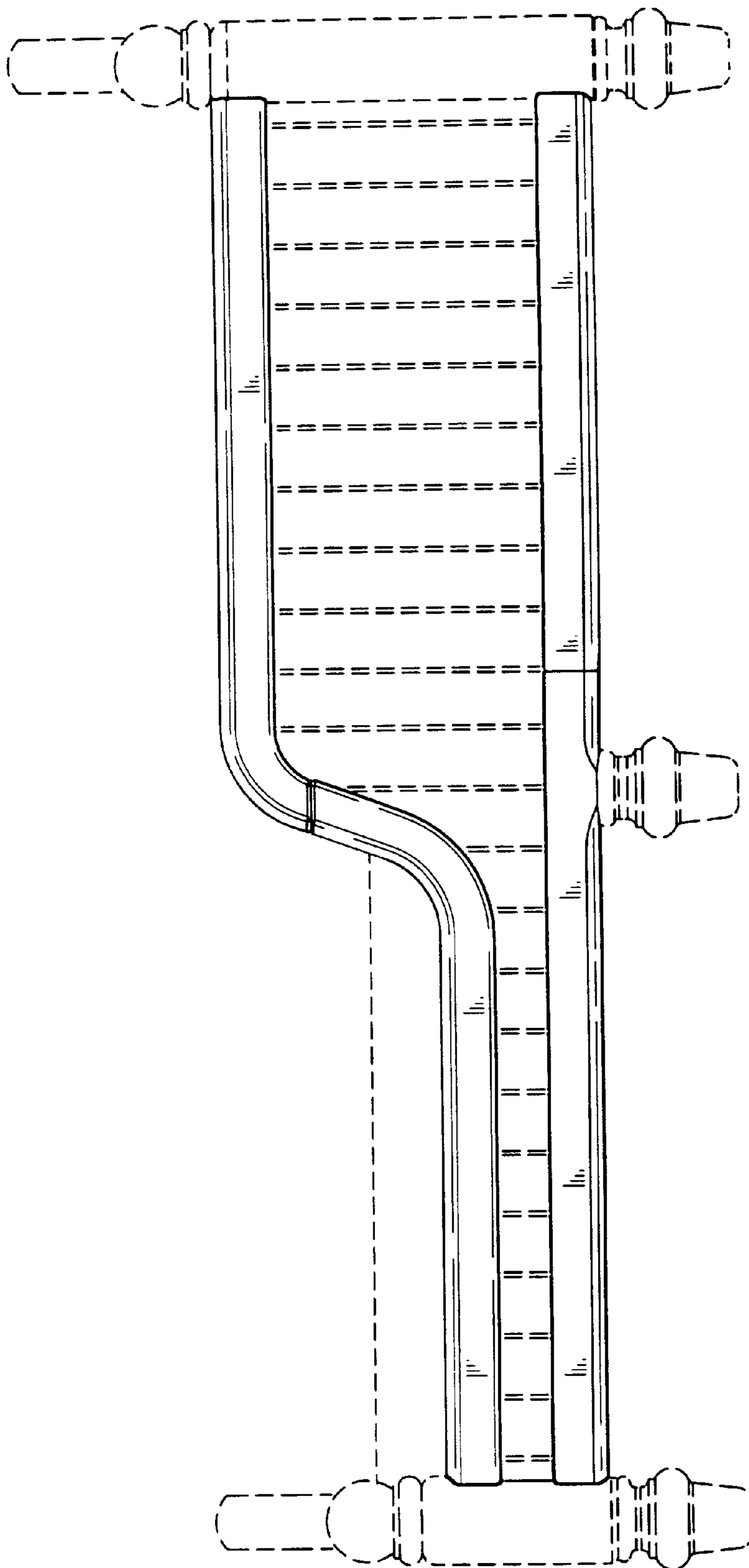


FIG.4

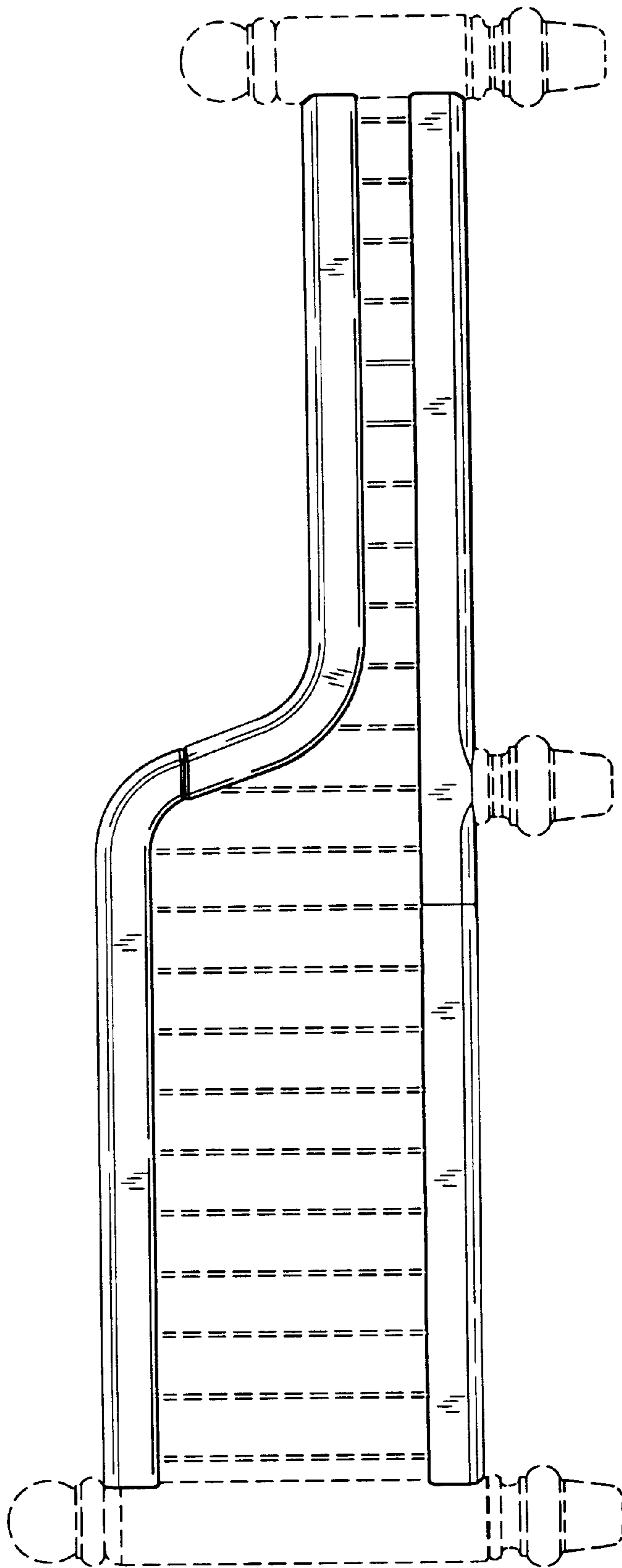


FIG.5