



US00D462207S

(12) **United States Design Patent**  
**Chen**

(10) **Patent No.:** **US D462,207 S**

(45) **Date of Patent:** **\*\* Sep. 3, 2002**

(54) **LEGS FOR A CHAIR**

(76) Inventor: **Chun Chen**, No. 32-8, Hsi Pu, Hsin Fu Village, Hsi Kang, Tainan County (TW)

(\*\*) Term: **14 Years**

(21) Appl. No.: **29/147,491**

(22) Filed: **Aug. 27, 2001**

(51) **LOC (7) Cl.** ..... **06-06**

(52) **U.S. Cl.** ..... **D6/498; D6/366**

(58) **Field of Search** ..... D6/334, 364, 365, D6/366, 367, 498, 500, 501, 502; 248/188, 188.1, 188.7, 188.8, 188.9; 297/358, 411.2

(56) **References Cited**

**U.S. PATENT DOCUMENTS**

1,670,561	A	*	5/1928	Adams	.....	248/188.7
1,864,535	A	*	6/1932	Hach et al.	.....	248/188.7
D113,191	S	*	1/1939	Salomon	.....	D6/366
D123,106	S	*	10/1940	Cramer et al.	.....	D6/367
D234,384	S	*	2/1975	Tacke	.....	D6/366
3,937,434	A	*	2/1976	Tacke	.....	248/188.7

D273,729	S	*	5/1984	Pelly et al.	.....	D6/366
D274,865	S	*	7/1984	Murry	.....	D6/366 X
D346,072	S	*	4/1994	Zapf	.....	D6/366

\* cited by examiner

*Primary Examiner*—Gary D. Watson

(74) *Attorney, Agent, or Firm*—Alan Kamrath; Rider, Bennett, Egan & Arundel, LLP

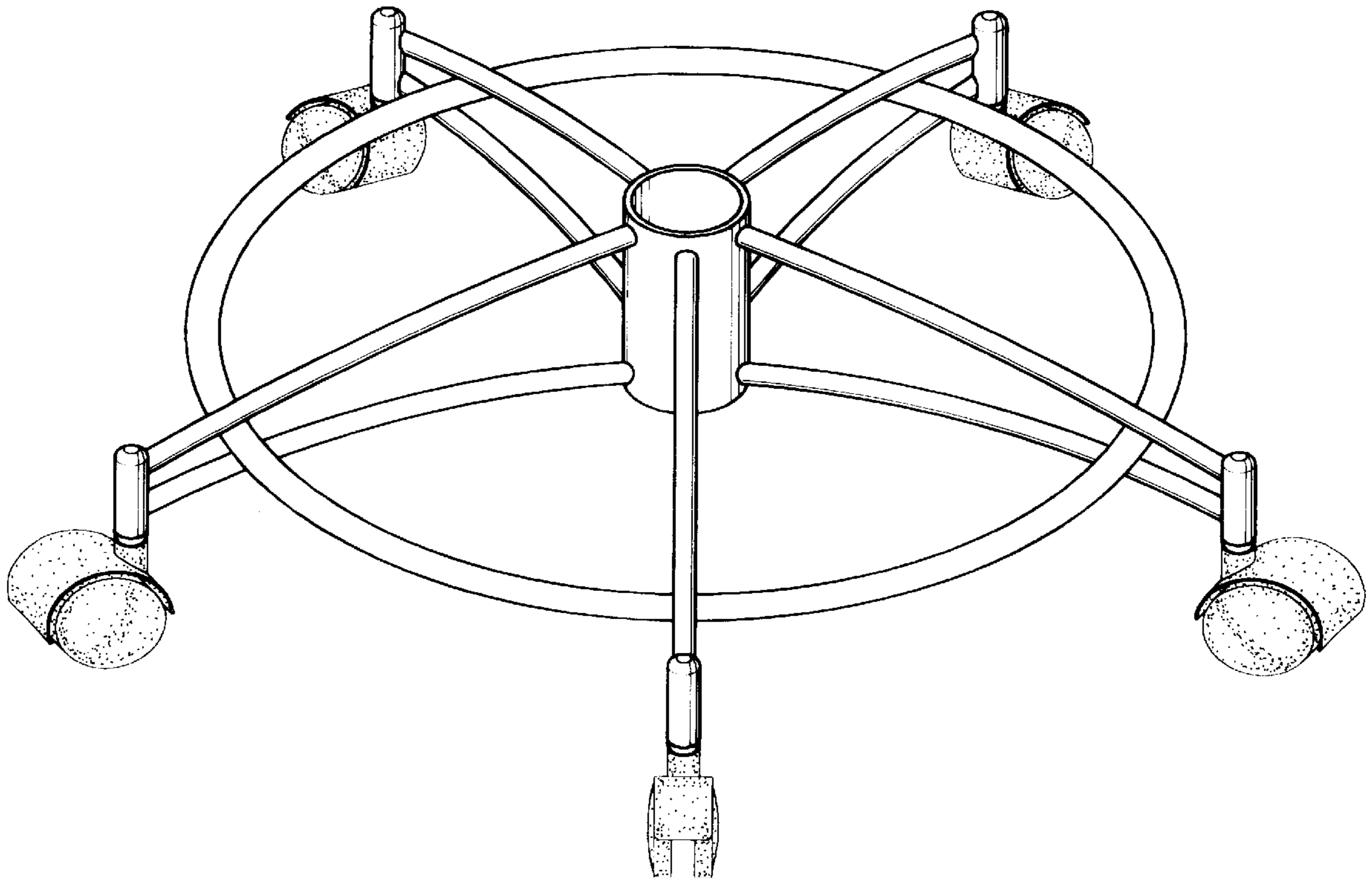
(57) **CLAIM**

The ornamental design for legs for a chair, as shown and described.

**DESCRIPTION**

FIG. 1 is a perspective view of the legs for a chair showing my new design;  
FIG. 2 is a front elevational view thereof;  
FIG. 3 is a rear elevational view thereof;  
FIG. 4 is a left side elevational view thereof;  
FIG. 5 is a right side elevational view thereof;  
FIG. 6 is a top plan view thereof; and,  
FIG. 7 is a bottom plan view thereof.

**1 Claim, 5 Drawing Sheets**



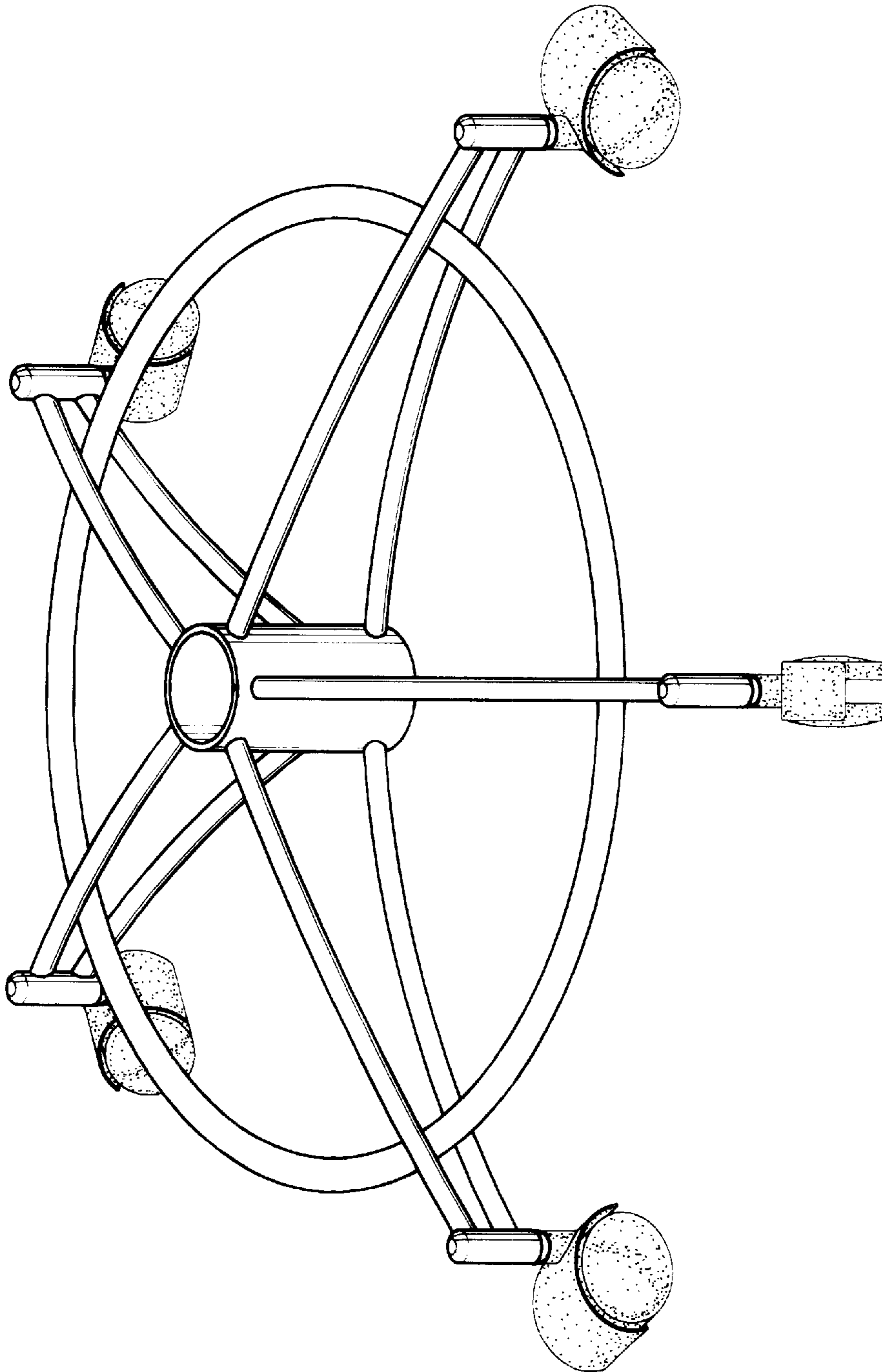


FIG. 1

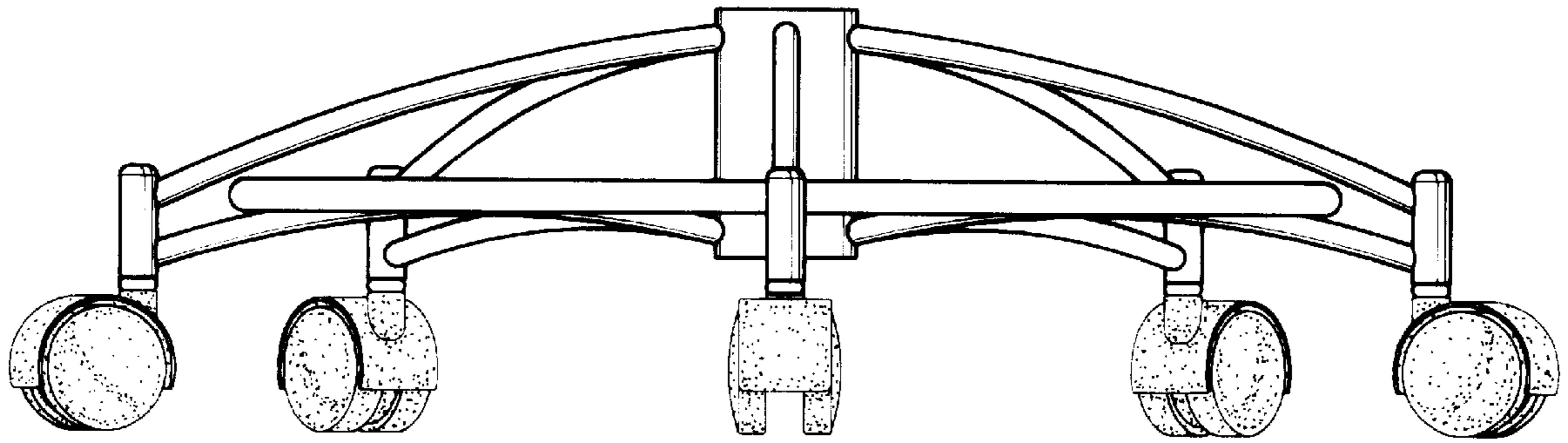


FIG. 2

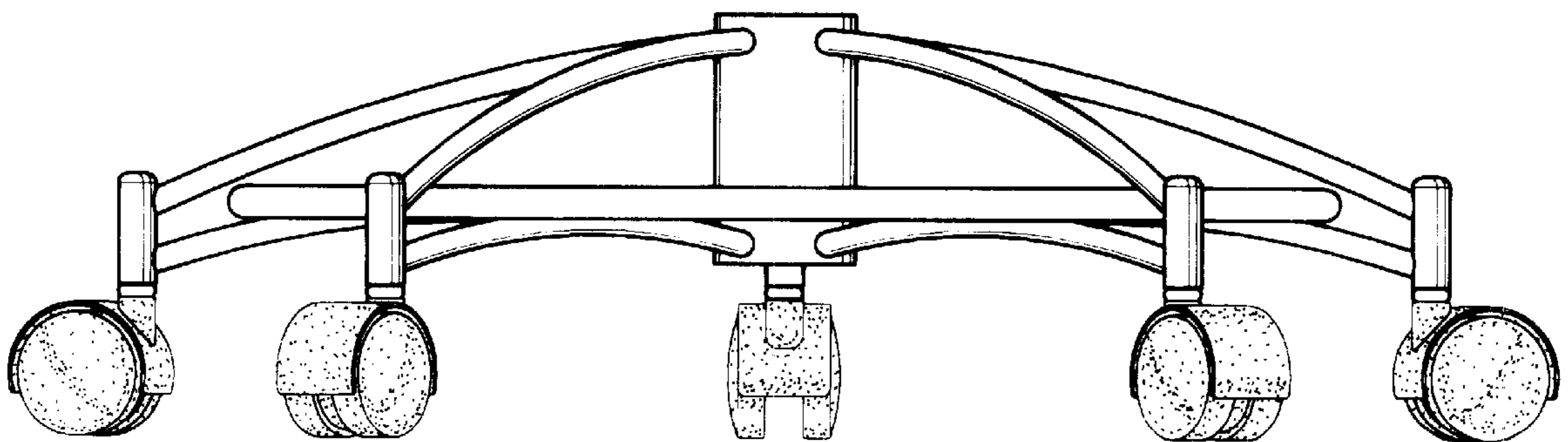


FIG. 3

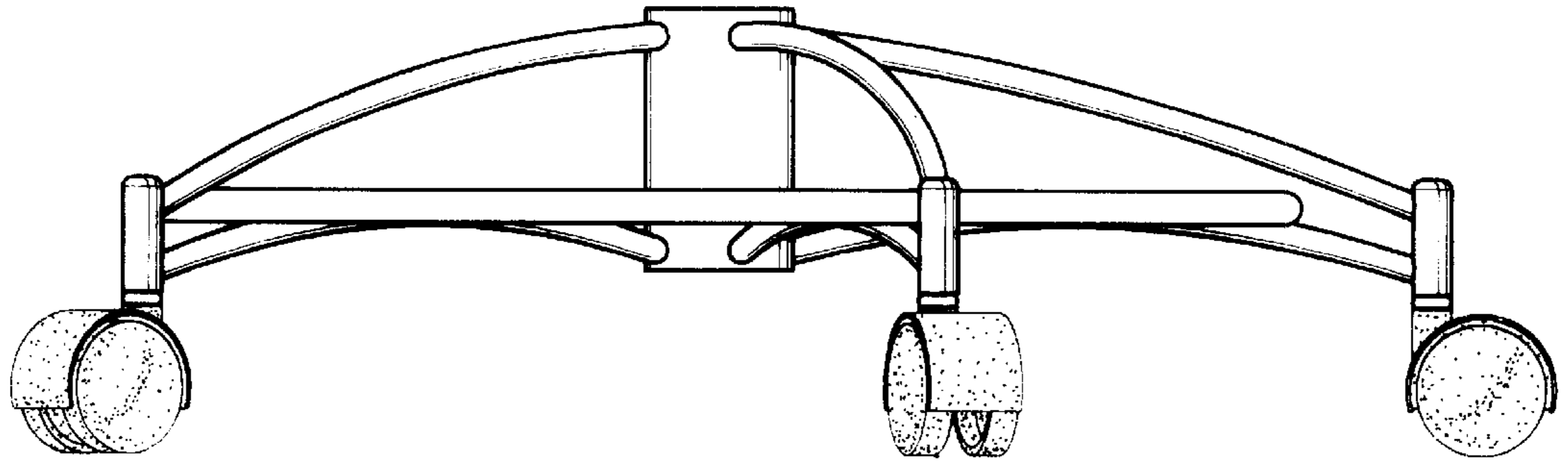


FIG. 4

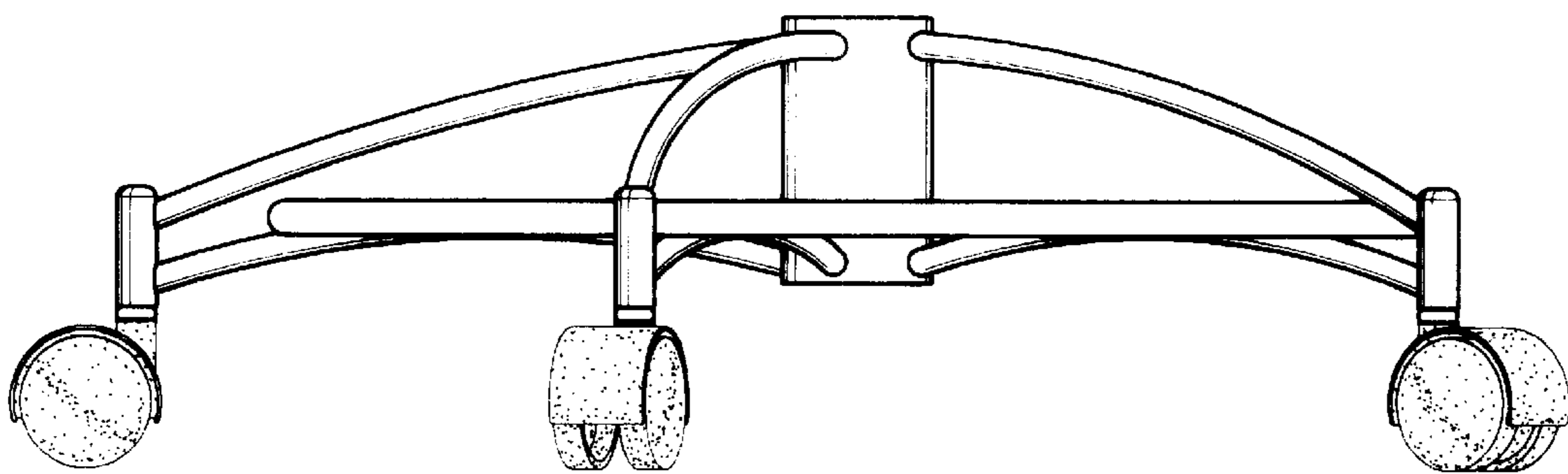


FIG. 5

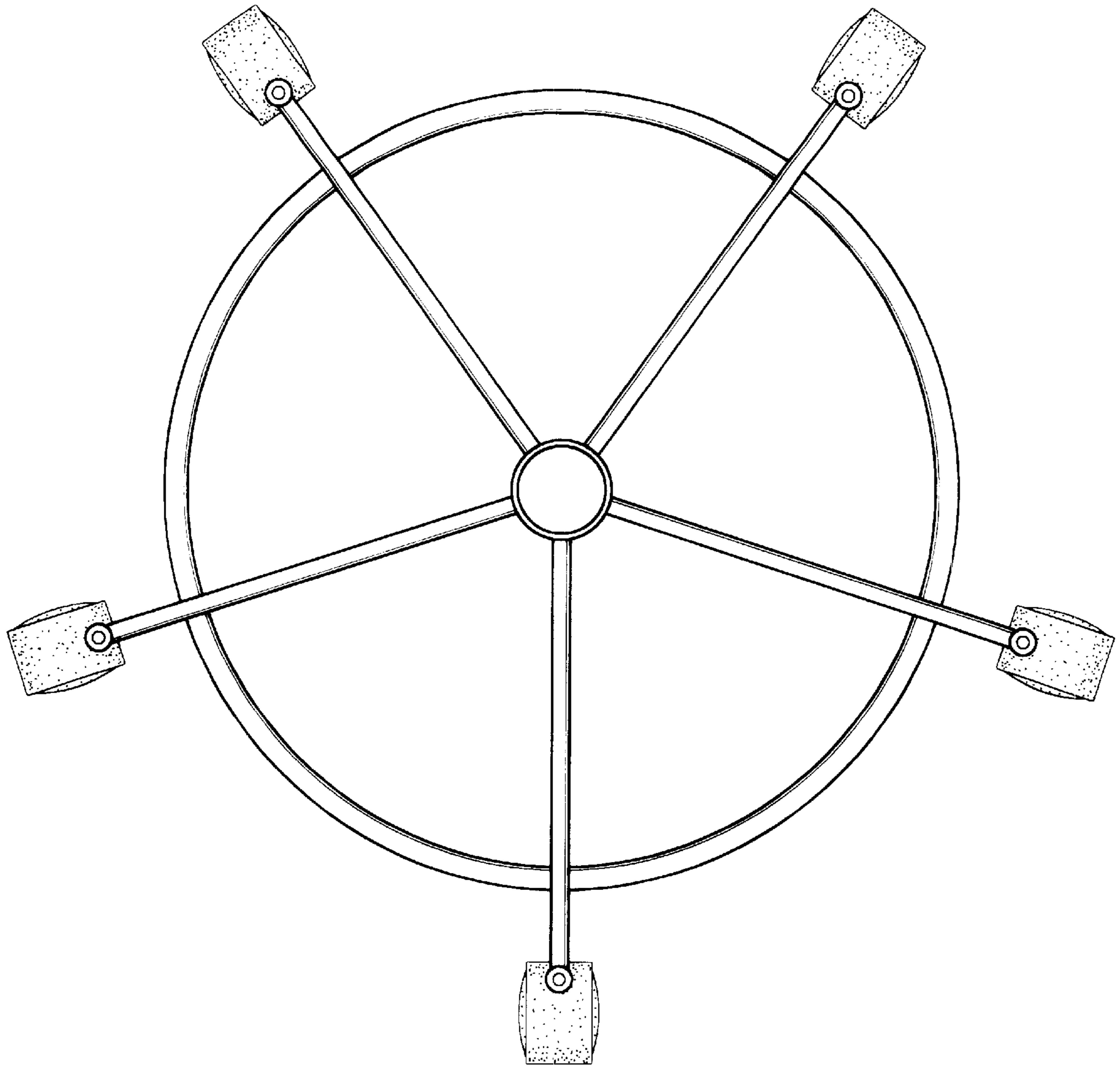


FIG. 6

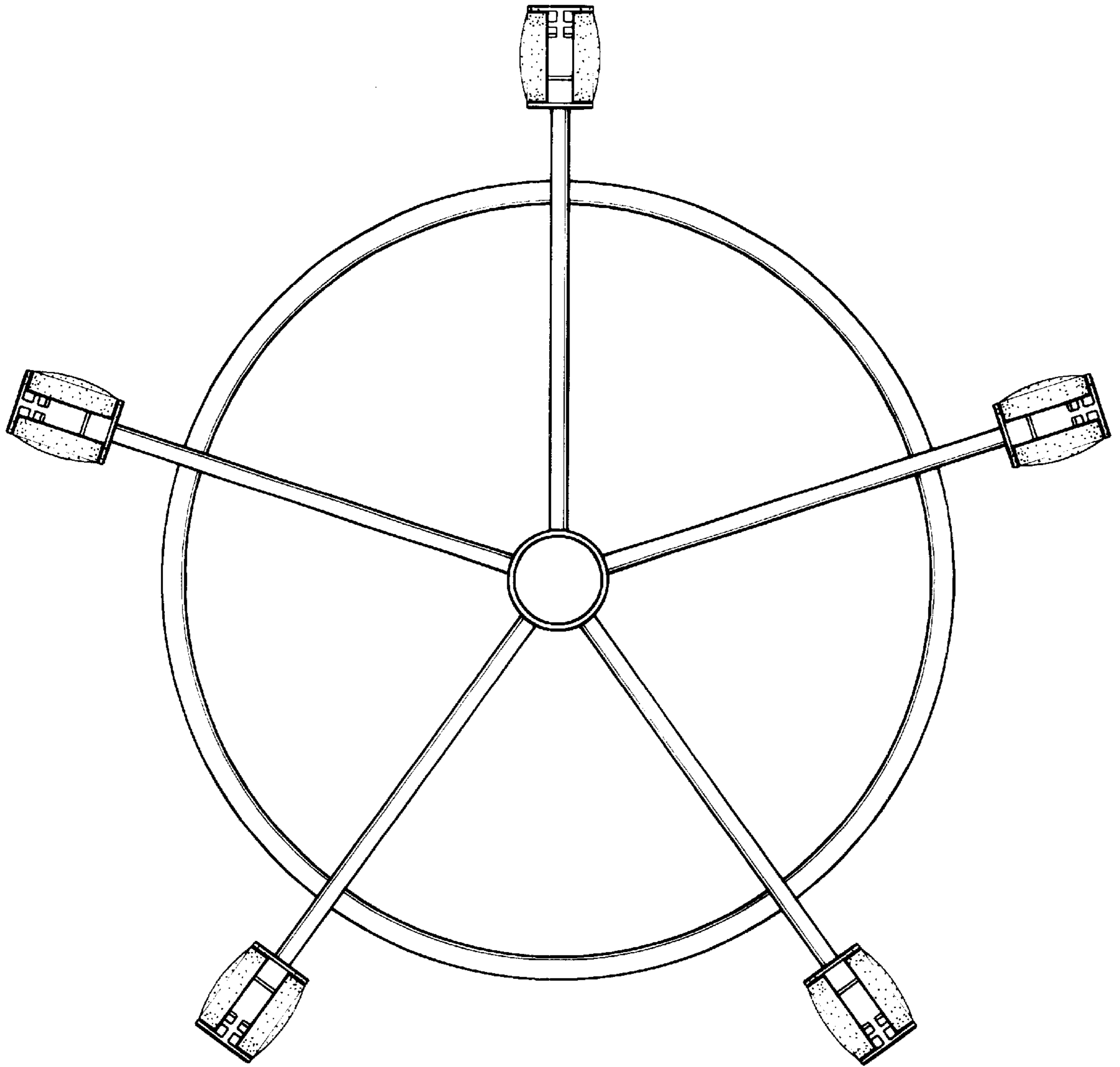


FIG. 7