



US00D462201S

(12) **United States Design Patent**  
**Palmer**

(10) **Patent No.:** **US D462,201 S**

(45) **Date of Patent:** **\*\* Sep. 3, 2002**

(54) **MEDIA STORAGE RACK**

(75) **Inventor:** **Christopher G. Palmer**, Fremont, CA  
(US)

(73) **Assignee:** **The Mead Corporation**, Dayton, OH  
(US)

(\*\*) **Term:** **14 Years**

(21) **Appl. No.:** **29/146,012**

(22) **Filed:** **Aug. 2, 2001**

(51) **LOC (7) Cl.** ..... **06-04**

(52) **U.S. Cl.** ..... **D6/465**

(58) **Field of Search** ..... D6/407, 629, 630,  
D6/631, 410-415, 449, 458, 459, 460-468;  
108/59, 76, 91, 92, 102, 106, 108, 132;  
206/307, 307.1, 308.1, 310, 387.15; 211/13.1,  
34, 36-38, 40-41.12, 55-58, 74, 77, 78,  
85.6, 126.9, 134, 144, 163, 181.1, 187,  
194; 312/9.1, 9.47-9.64, 348.3

(56) **References Cited**

**U.S. PATENT DOCUMENTS**

2,299,021 A \* 10/1942 Hoffman ..... 211/34  
D233,380 S \* 10/1974 Hyman ..... D6/458  
D241,101 S \* 8/1976 Kapnek ..... D6/461  
5,314,077 A \* 5/1994 Theosabrata ..... 211/40

D365,226 S \* 12/1995 Goebel ..... D6/449  
D427,836 S \* 7/2000 Ribet et al. .... D6/630  
D430,431 S \* 9/2000 Walter ..... D6/465

\* cited by examiner

*Primary Examiner*—Cathron C. Brooks

(74) *Attorney, Agent, or Firm*—Thompson Hine LLP

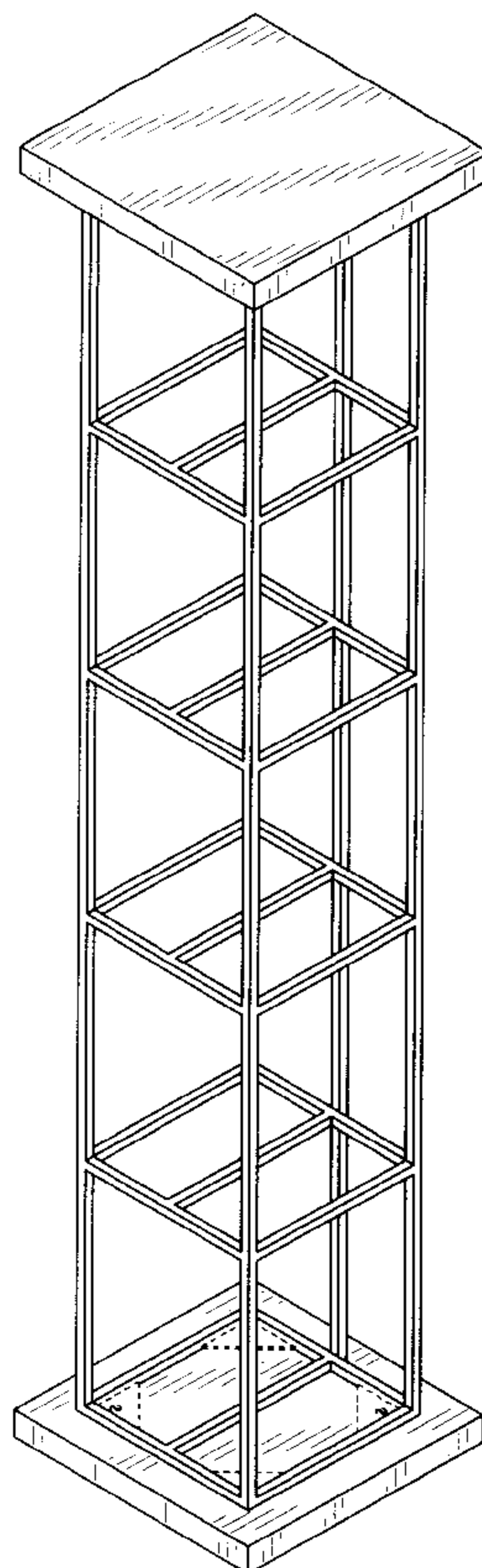
(57) **CLAIM**

The design for a media storage rack, as shown and described.

**DESCRIPTION**

FIG. 1 is a front perspective view of one embodiment of the media storage rack of the present invention; FIG. 2 is a front view of the media storage rack of FIG. 1; FIG. 3 is a right side view of the media storage rack of FIG. 1; the left side view being substantially identical; FIG. 4 is a rear view of the media storage rack of FIG. 1; FIG. 5 is a top view of the media storage rack of FIG. 1; FIG. 6 is a bottom view of the media storage rack of FIG. 1; FIG. 7 is a front perspective view of another embodiment of the media storage rack of the present invention; and, FIG. 8 is a front perspective view of another embodiment of the media storage rack of the present invention. The hidden lines are for illustrative purposes only and form no part of the claimed design.

**1 Claim, 5 Drawing Sheets**



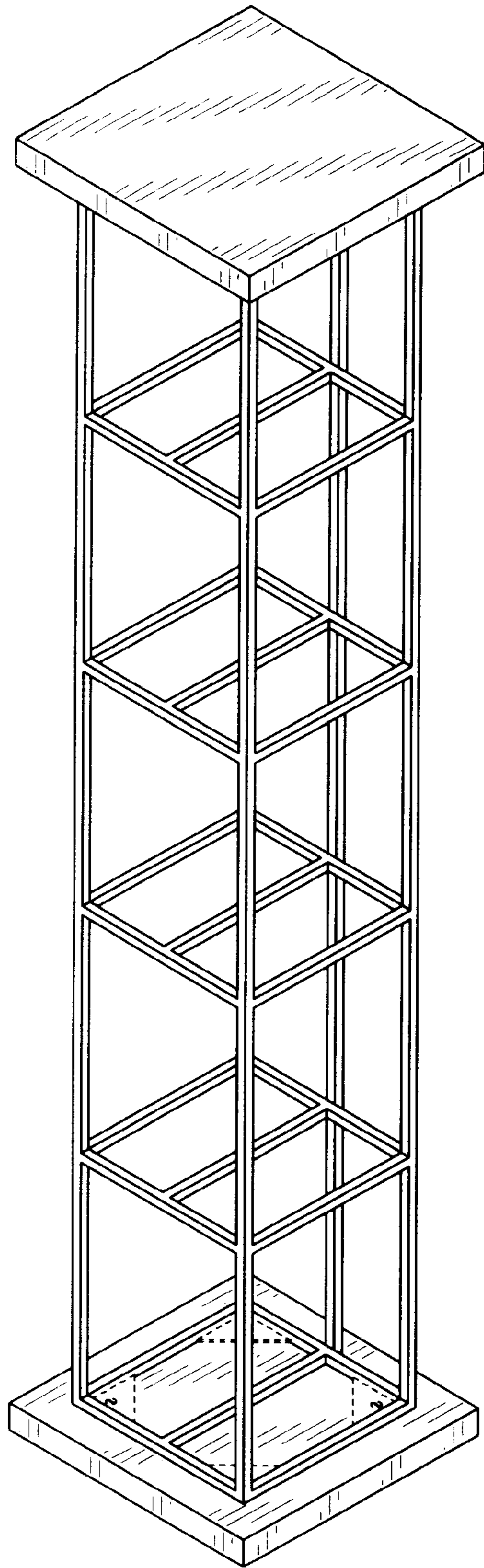


FIG. 1

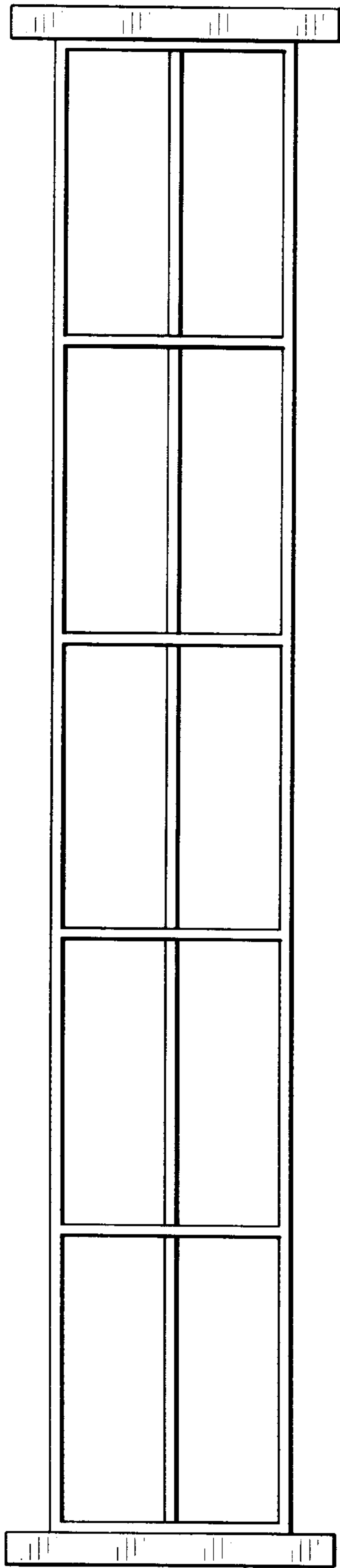


FIG. 2

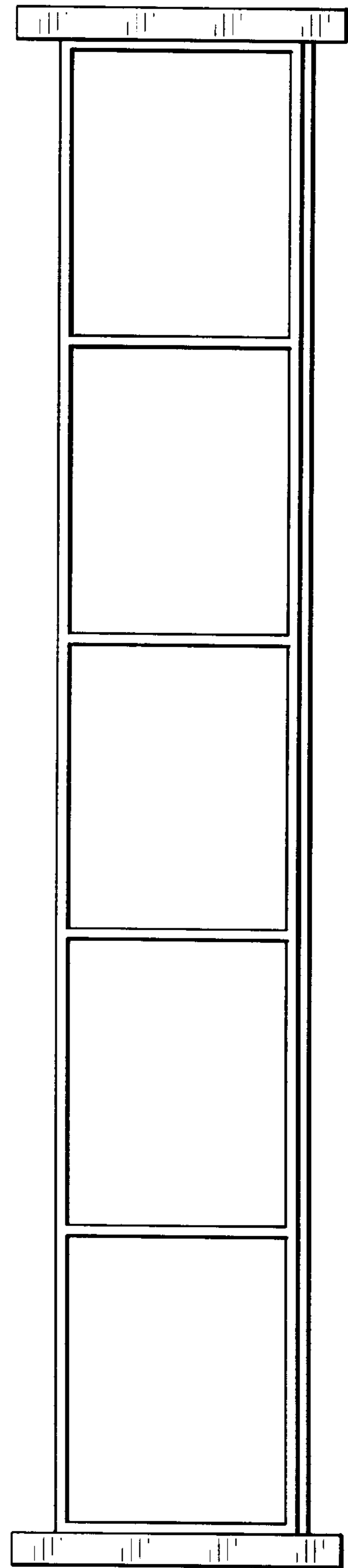


FIG. 3

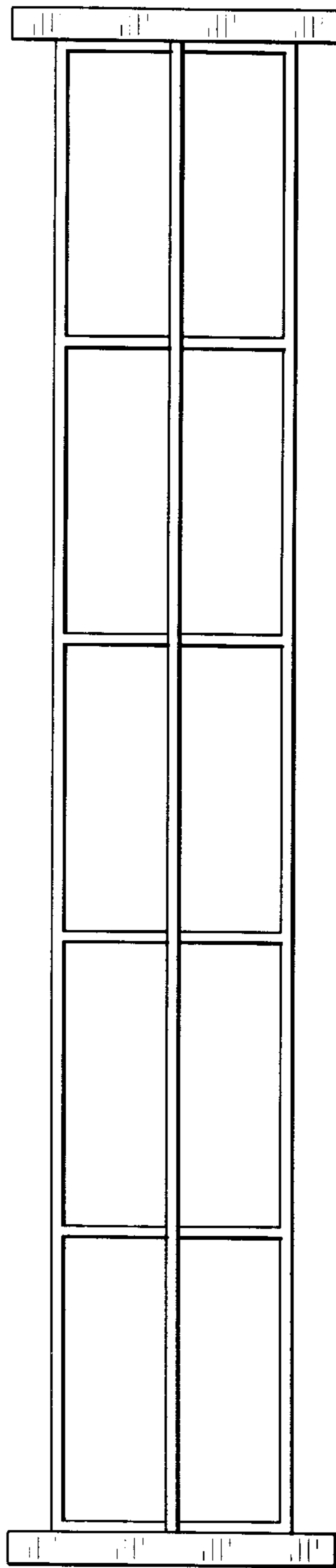


FIG. 4

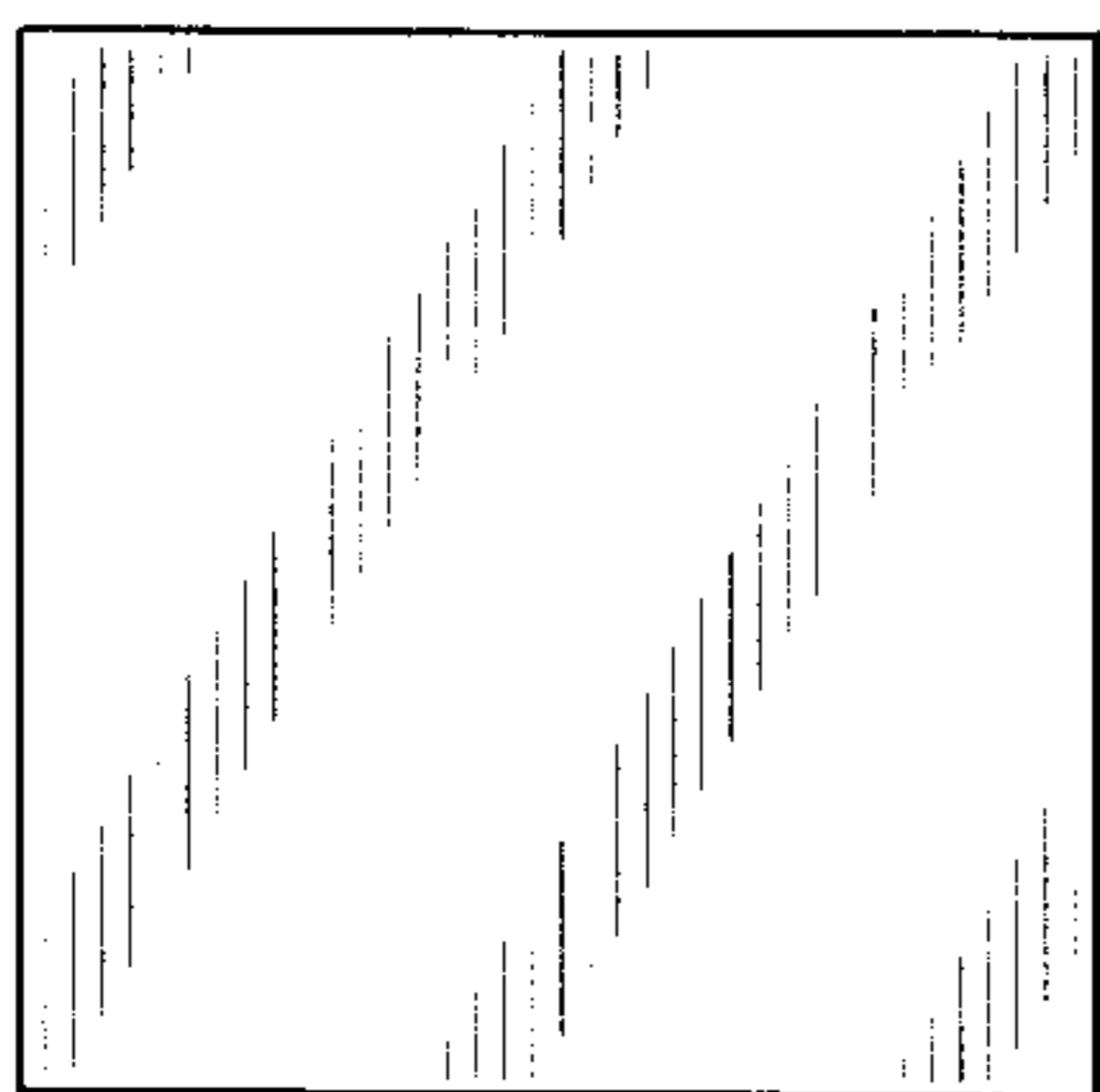


FIG. 5

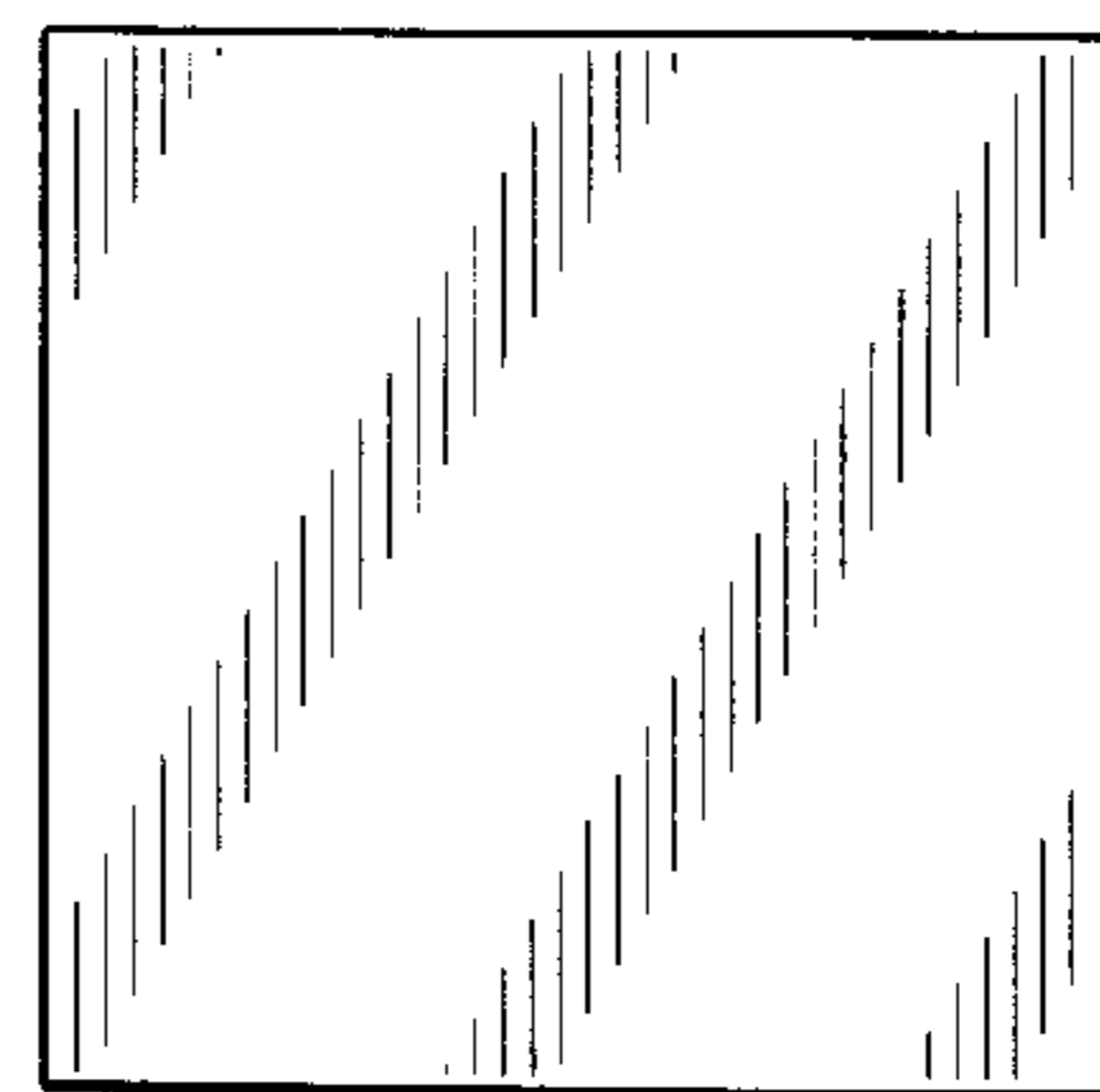


FIG. 6

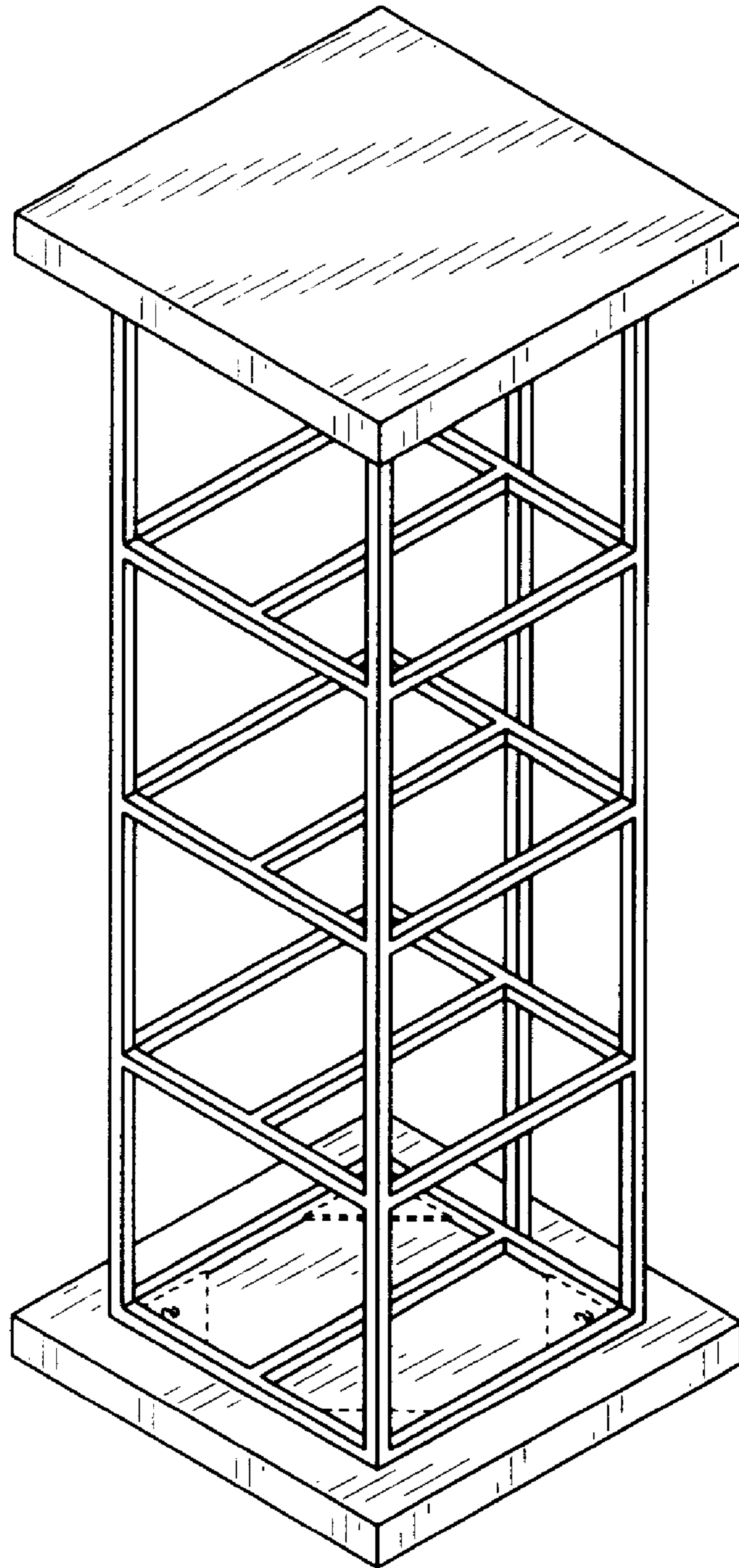


FIG. 7



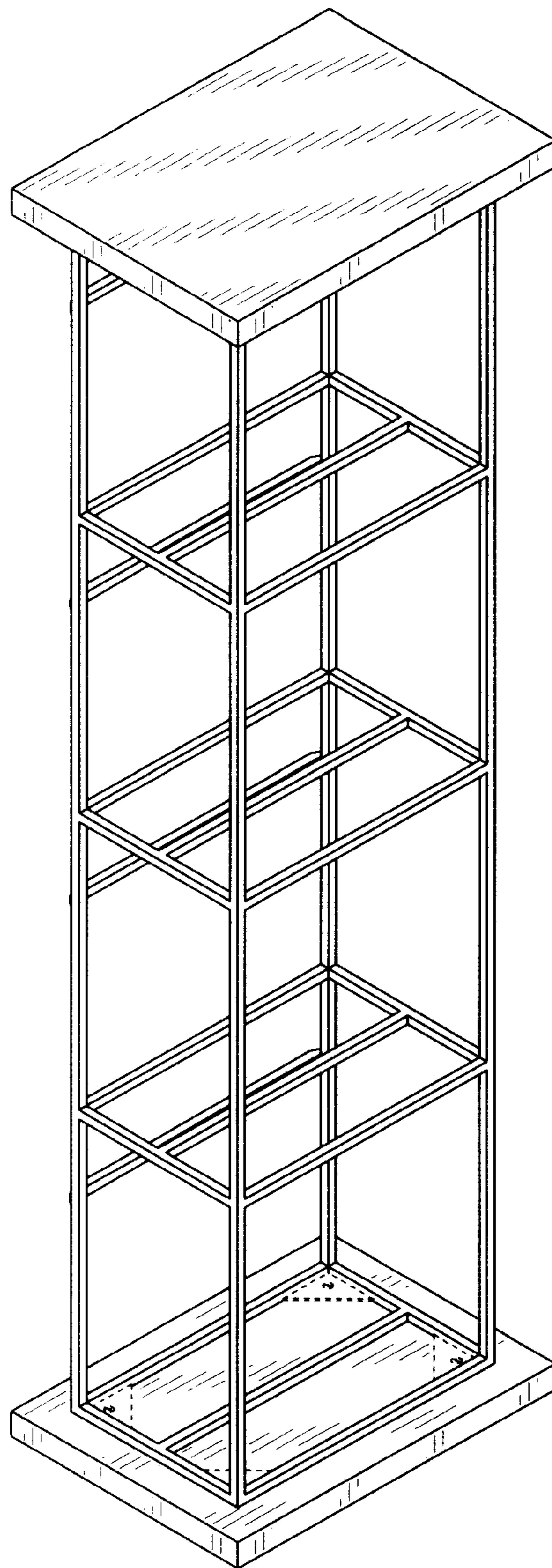


FIG. 8