



US00D462200S

(12) **United States Design Patent**
Pollard et al.

(10) **Patent No.:** **US D462,200 S**

(45) **Date of Patent:** **** Sep. 3, 2002**

(54) **BEVERAGE DISPLAY RACK**

(75) Inventors: **David Pollard**, Temple; **Javier Castillo**, Smyrna, both of GA (US)

(73) Assignee: **L & P Property Management Company**, South Gate, CA (US)

(**) Term: **14 Years**

(21) Appl. No.: **29/152,075**

(22) Filed: **Dec. 11, 2001**

(51) **LOC (7) Cl.** **06-04**

(52) **U.S. Cl.** **D6/458**

(58) **Field of Search** D6/407, 629, 630,
D6/631, 410-415, 449, 458, 459, 460-468;
108/59, 76, 91, 92, 102, 106, 108, 132;
26/307, 307.1, 308.1, 310, 387.15; 211/13.1,
34, 36-38, 40-41.12, 55-58, 74, 77, 78,
85.6, 126.9, 134, 144, 163, 181.1, 194;
312/9.1, 9.47-9.64, 348.3

(56) **References Cited**

U.S. PATENT DOCUMENTS

D190,352 S * 5/1961 Hackathorn D6/458

D242,591 S * 12/1976 Hurd D6/458
D288,038 S * 2/1987 Henning D6/458
5,255,801 A * 10/1993 Berger 211/131.1
D378,881 S * 4/1997 Lusk et al. D6/463

* cited by examiner

Primary Examiner—Cathron C. Brooks
(74) *Attorney, Agent, or Firm*—Michael Best & Friedrich LLC; Martin L. Stern

(57) **CLAIM**

The ornamental design for a beverage display rack, as shown and described.

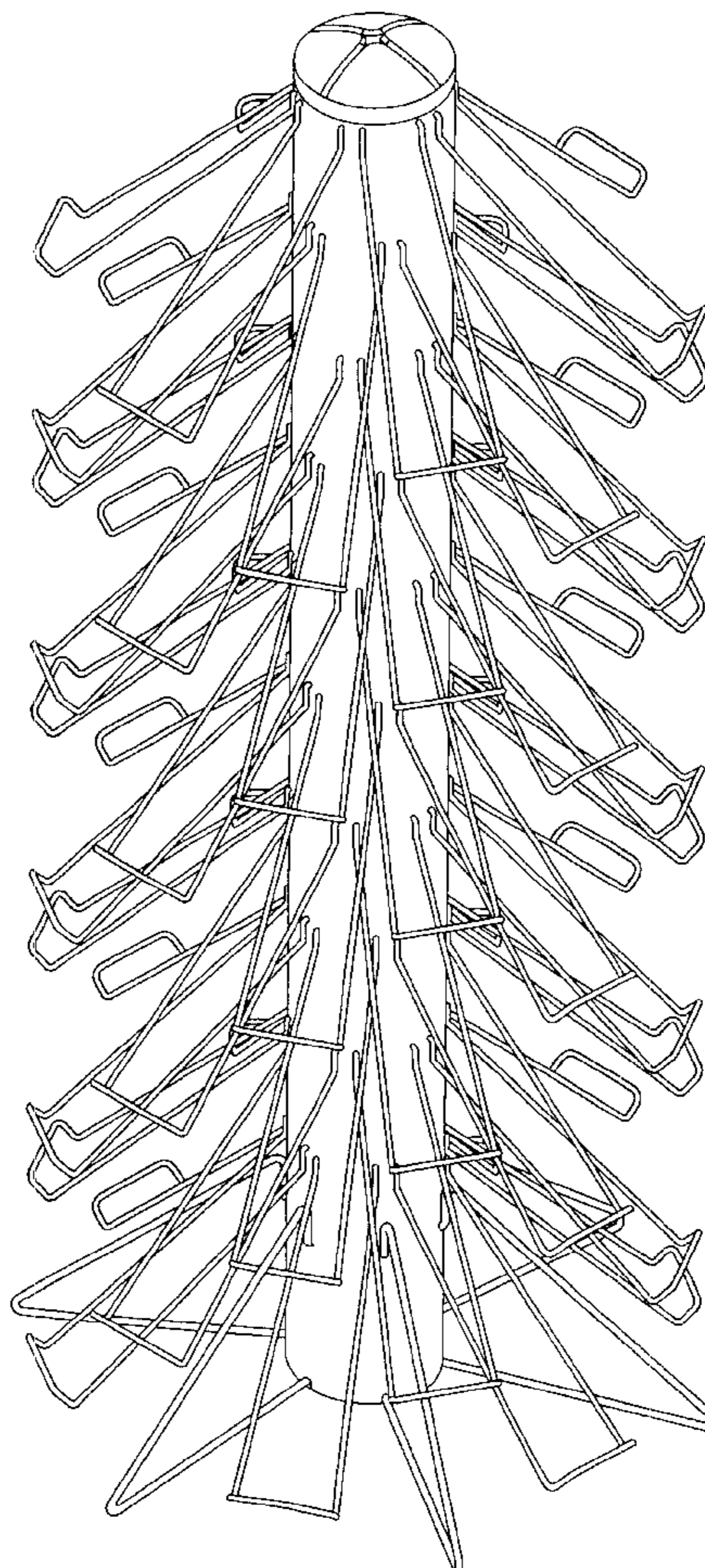
DESCRIPTION

FIG. 1 is a perspective view of the front of the beverage display rack, the other side of which is a mirror image.

FIG. 2 is a top plan view of the rack; and,

FIG. 3 is a side elevation view of the rack, the other side of which is a mirror image.

1 Claim, 2 Drawing Sheets



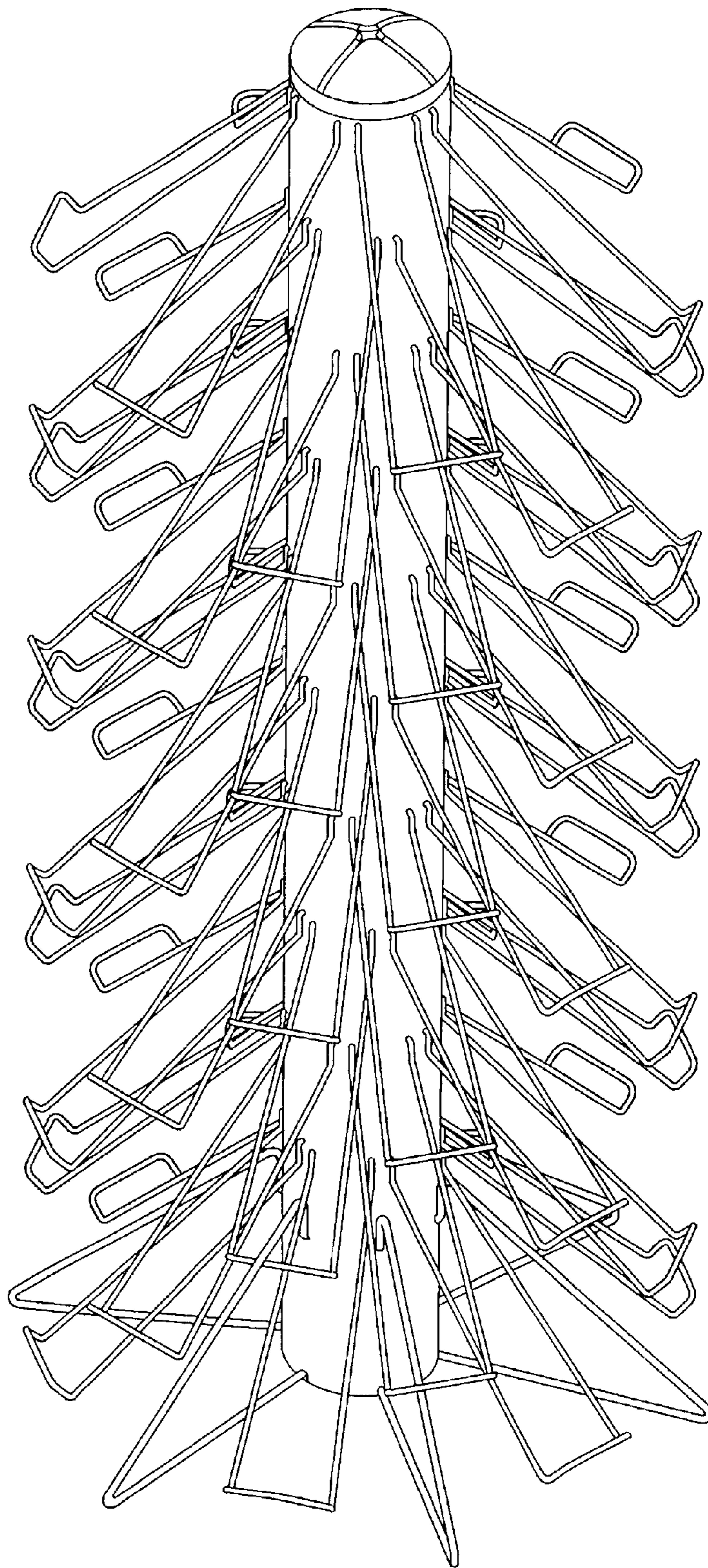


FIG. 1

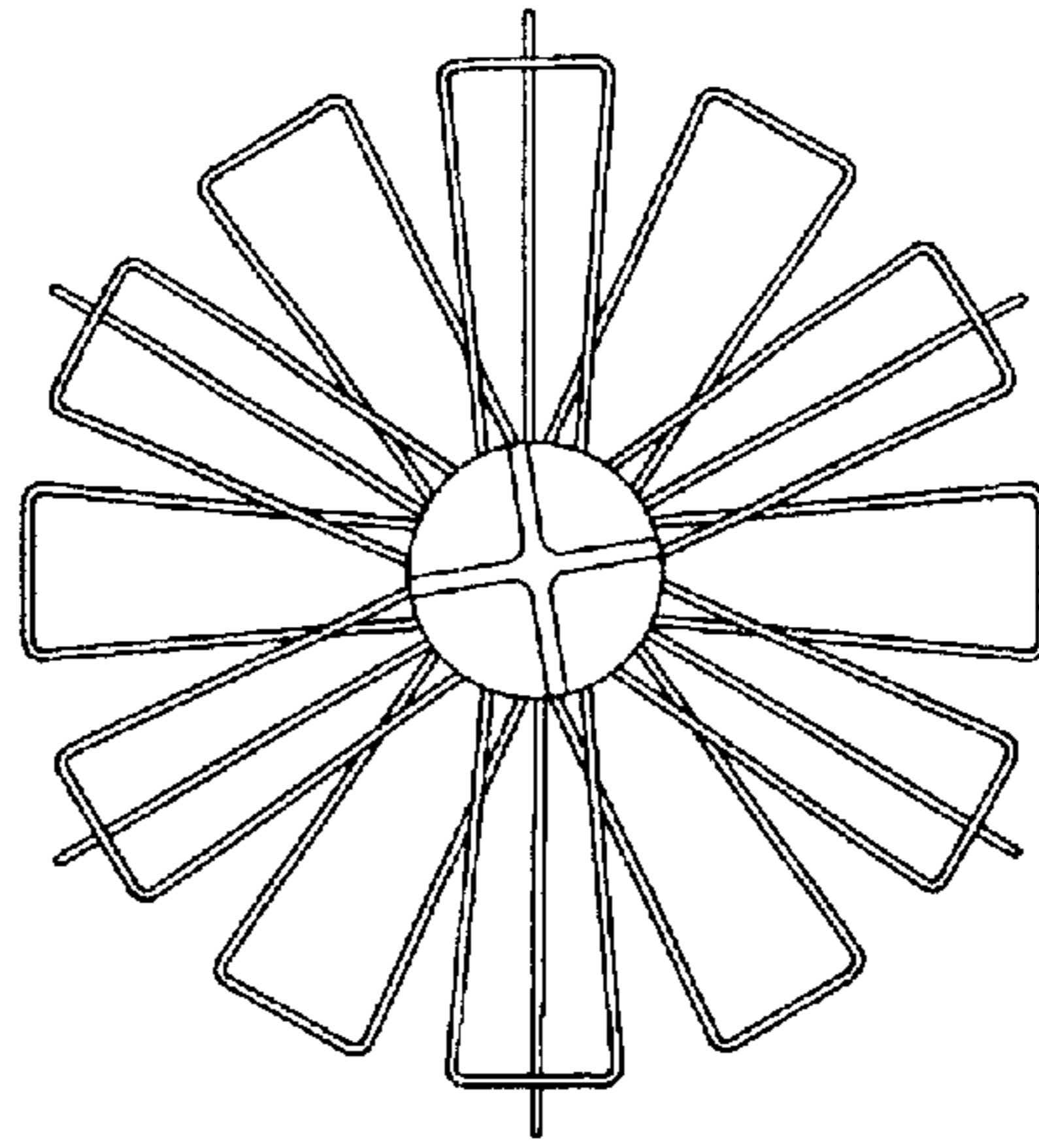


FIG. 2

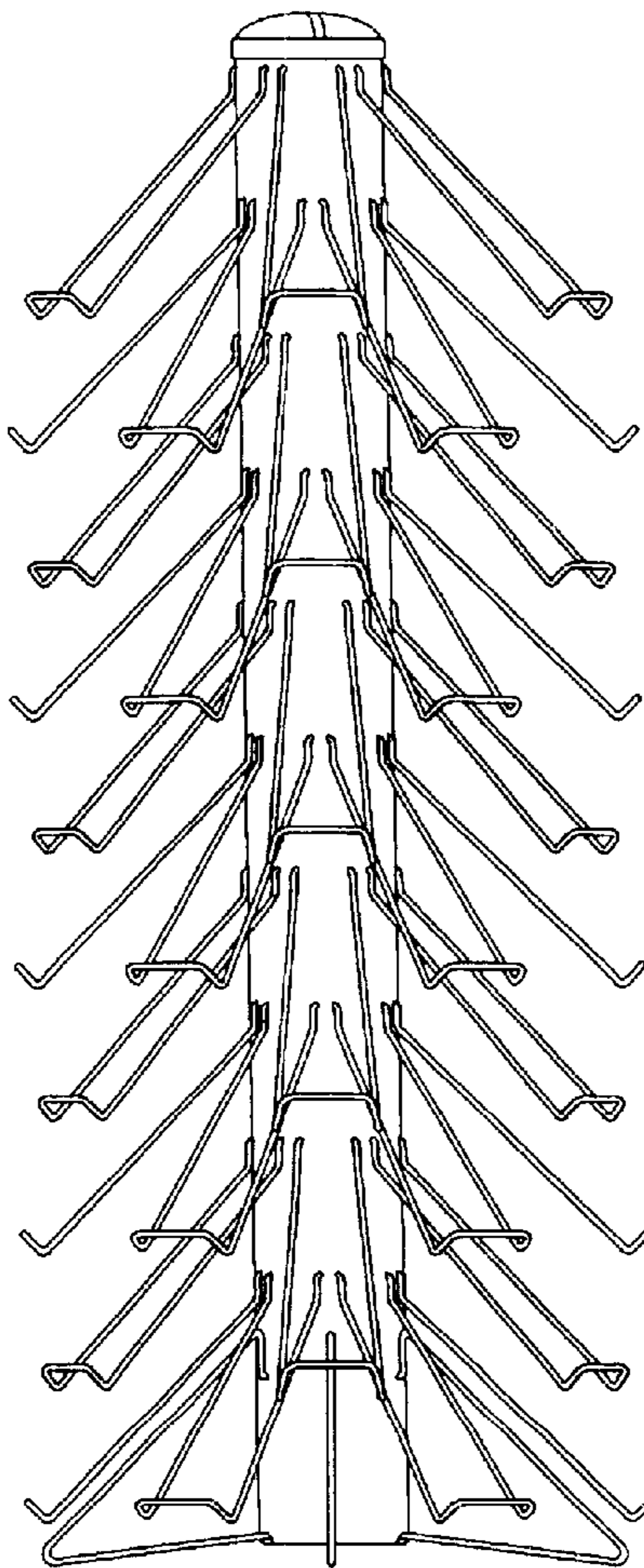


FIG. 3