



US00D462197S

(12) **United States Design Patent**
Tabbia

(10) **Patent No.:** **US D462,197 S**

(45) **Date of Patent:** **** Sep. 3, 2002**

(54) **CHEST**

(74) *Attorney, Agent, or Firm*—William J. Daniel

(76) **Inventor:** **Lawrence E. Tabbia**, 102 E. Pleasant Grove Rd., Jackson, NJ (US) 08527

(57) **CLAIM**

The ornamental design for a chest, as shown and described.

(**) **Term:** **14 Years**

DESCRIPTION

(21) **Appl. No.:** **29/141,843**

FIG. 1 is a front elevational view of a chest showing my new design;

(22) **Filed:** **May 15, 2001**

FIG. 2 is a left side elevational view of the chest of FIG. 1; FIG. 3 is a right side elevational view of the chest of FIG. 1;

(51) **LOC (7) Cl.** **06-04**

FIG. 4 is a top plan view thereof;

(52) **U.S. Cl.** **D6/446**

FIG. 5 is a greatly enlarged sectional view taken along line 5—5 of FIG. 1 showing in detail the cross-sectional configuration of a front corner portion of the chest;

(58) **Field of Search** D6/432-448; 312/204, 312/224, 257.1

FIG. 6 is a greatly enlarged sectional view taken along line 6—6 of FIG. 1 showing another portion of the claimed design;

(56) **References Cited**

U.S. PATENT DOCUMENTS

| | | | | | |
|------------|---|---------|---------------|-------|--------|
| D399,373 S | * | 10/1998 | Blaay | | D6/446 |
| D406,202 S | * | 3/1999 | Zaidman | | D6/439 |
| D409,853 S | * | 5/1999 | Horn | | D6/397 |
| D412,413 S | * | 8/1999 | Keller et al. | | D6/445 |
| D433,845 S | * | 11/2000 | Wilson et al. | | D6/446 |
| D440,789 S | * | 4/2001 | Tabbia | | D6/446 |

FIG. 7 is a greatly enlarged sectional view taken along line 7—7 of FIG. 1 showing another portion of the claimed design; and,

FIG. 8 is a front elevational view of a second embodiment of the design of my invention, the views not shown are identical to those of the first embodiment except for the difference in height.

OTHER PUBLICATIONS

Furniture Today, Chest, p. 55, Dec. 6, 1999.*

The drawer or door handles or pulls, shown in dotted lines, are for illustration purposes and do not form part of the claimed design.

* cited by examiner

Primary Examiner—Cathron C. Brooks

1 Claim, 5 Drawing Sheets

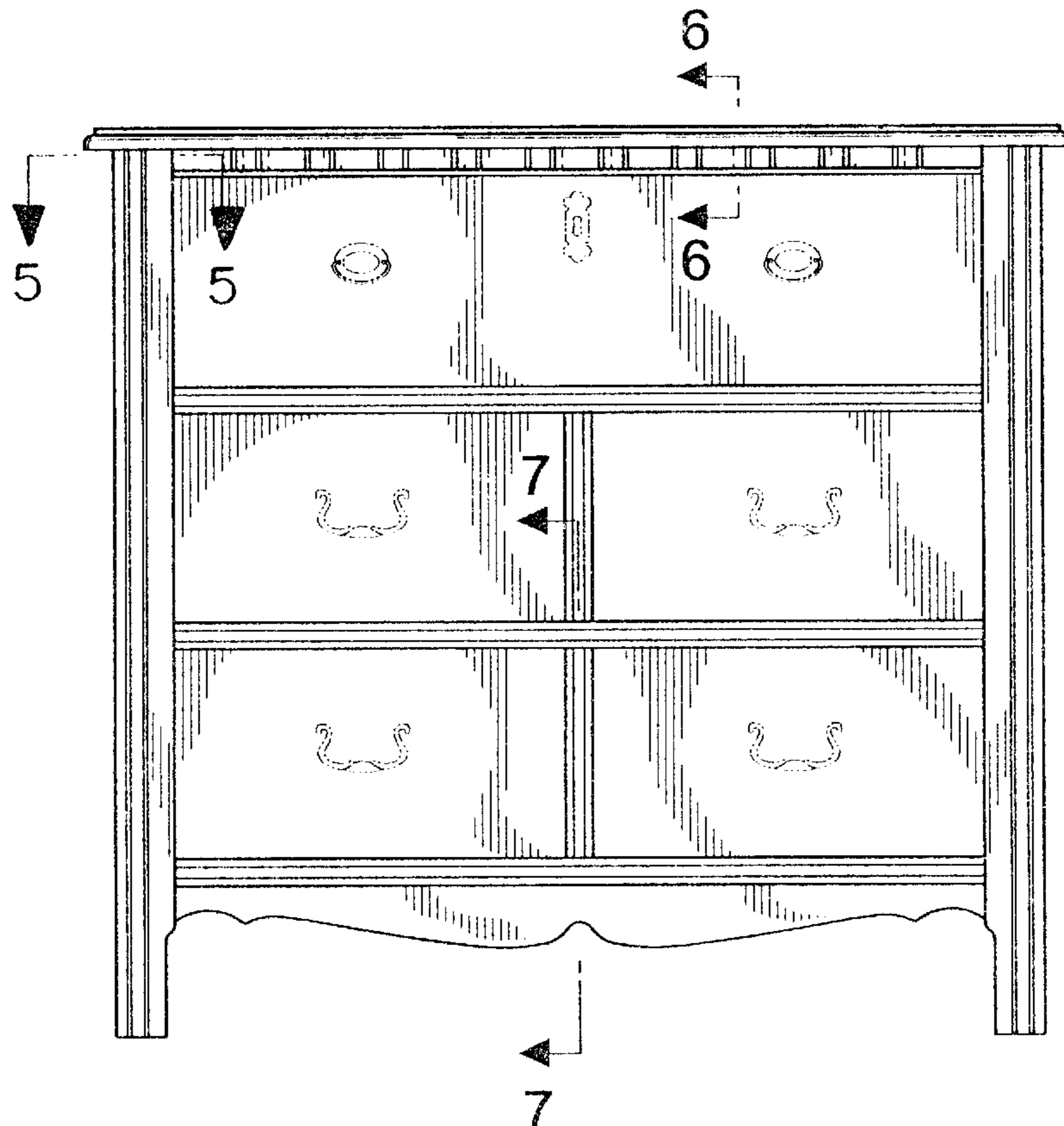
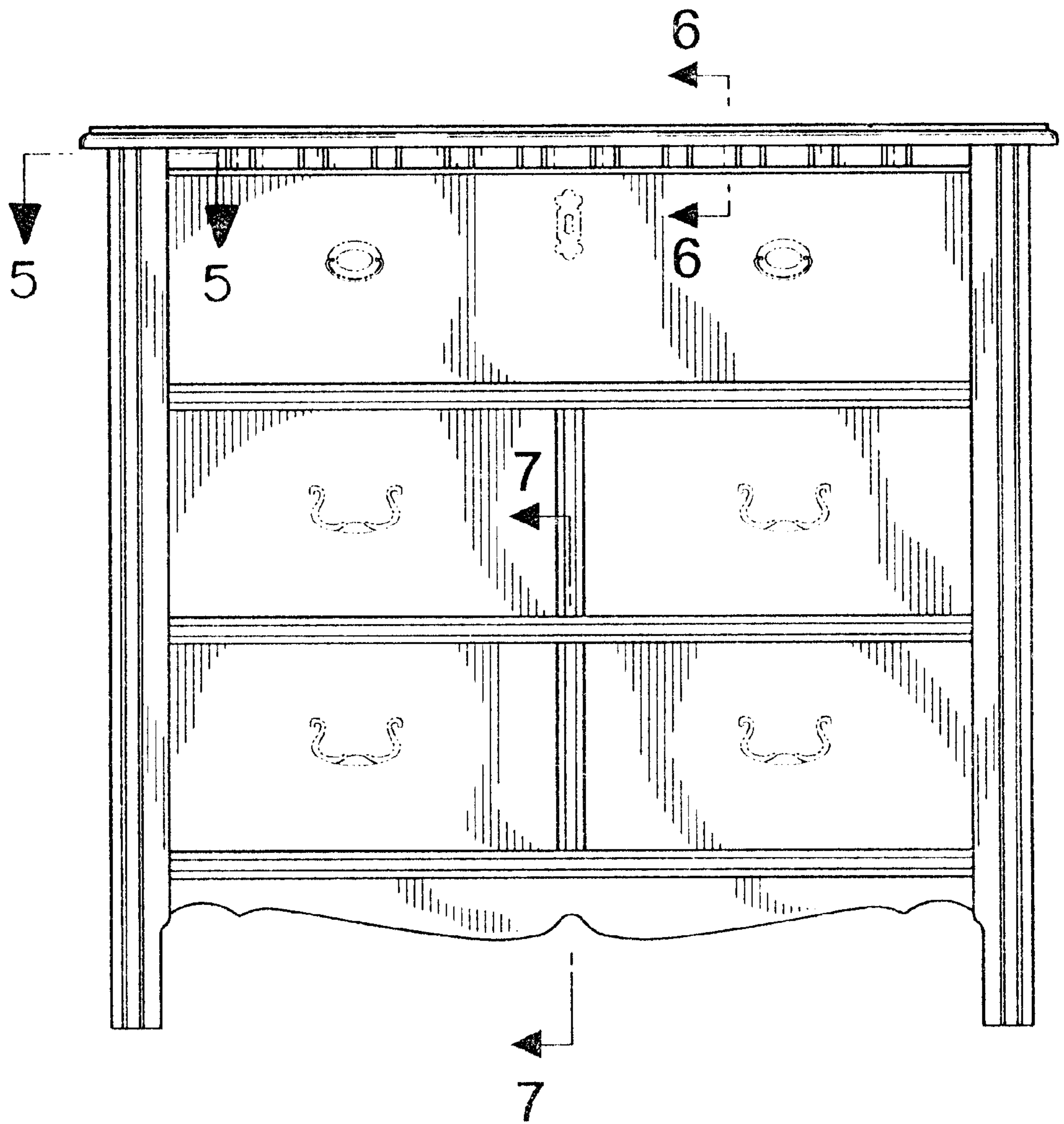


FIG. 1



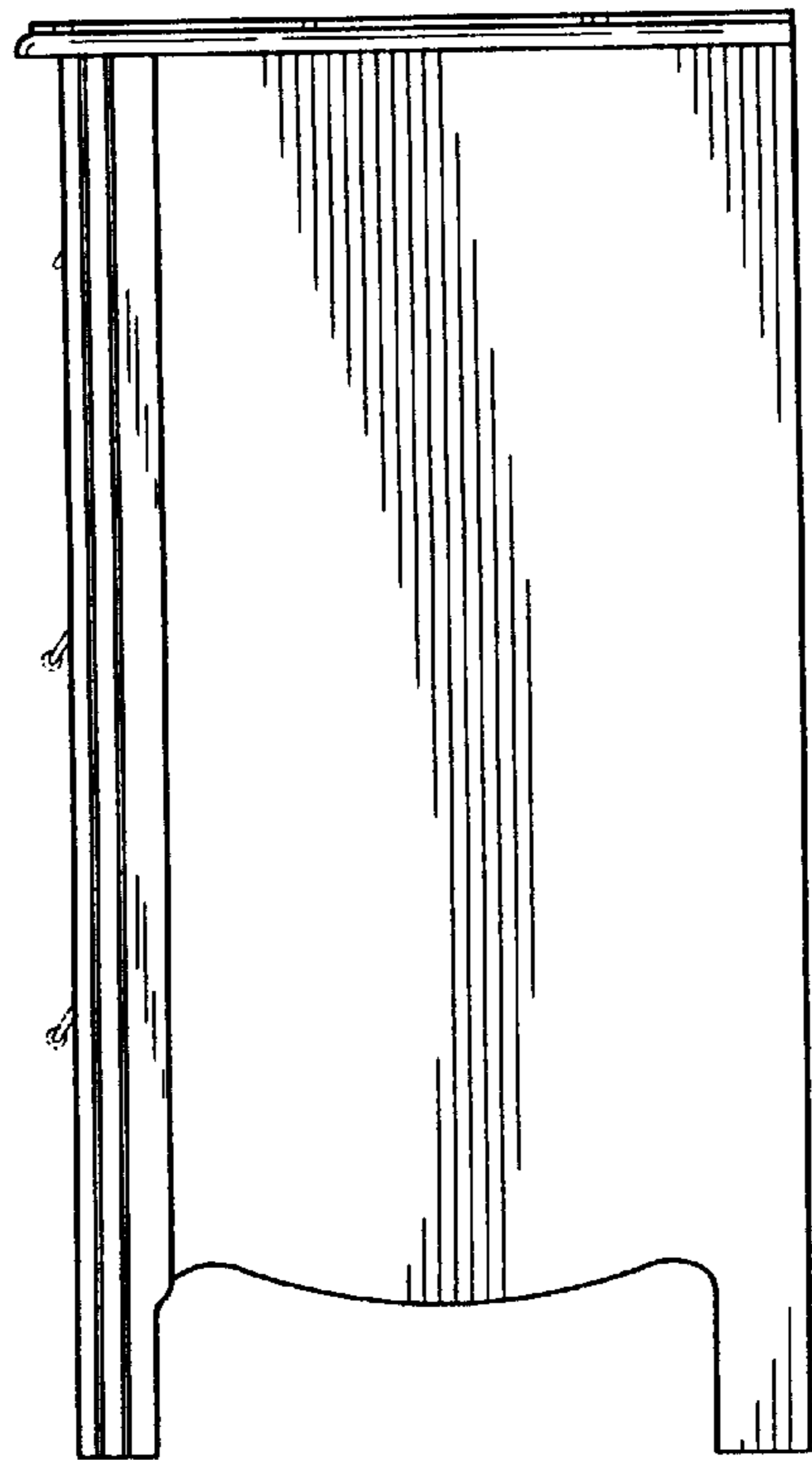


FIG. 2

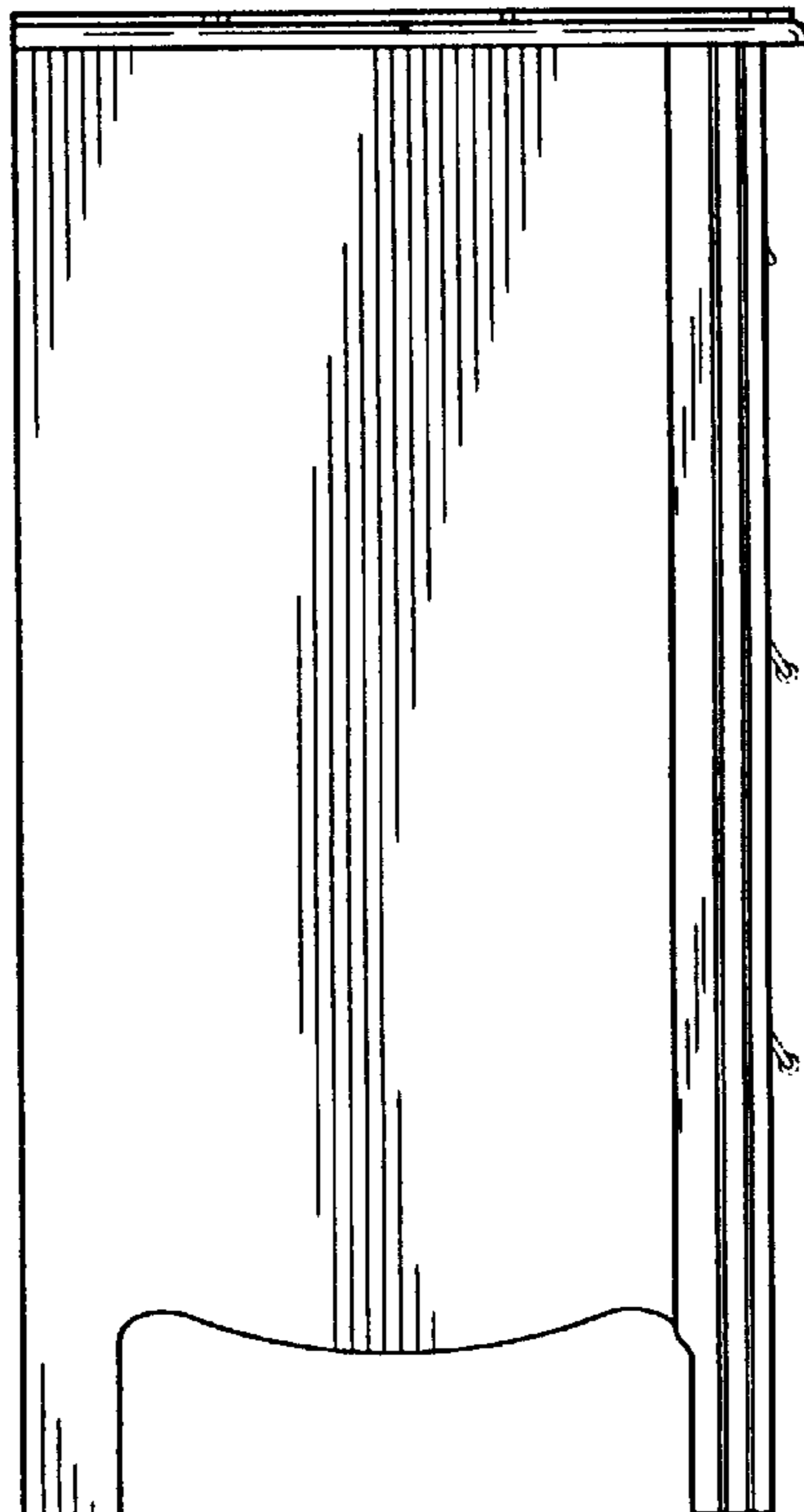


FIG. 3

FIG.4

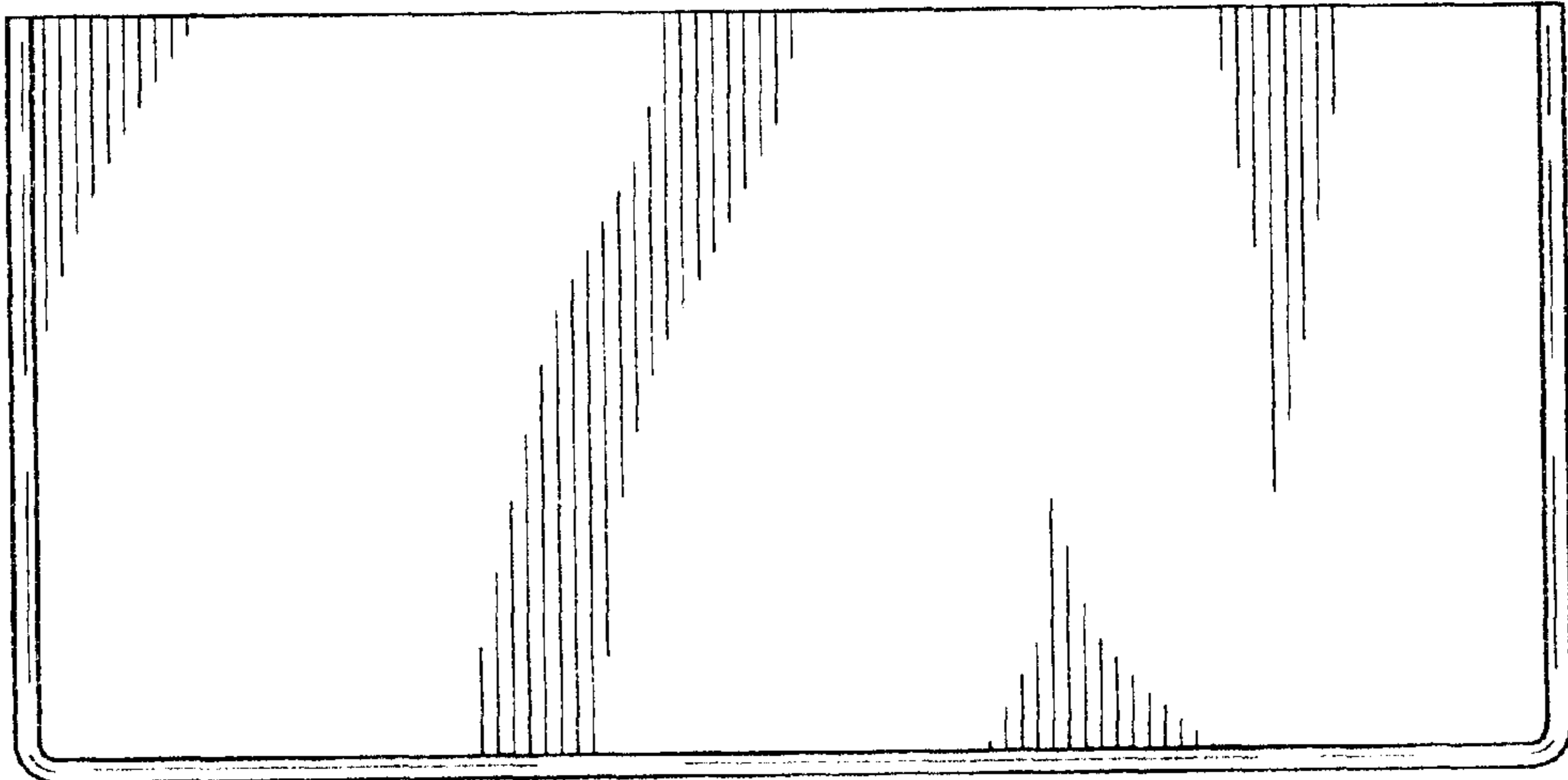


FIG.5

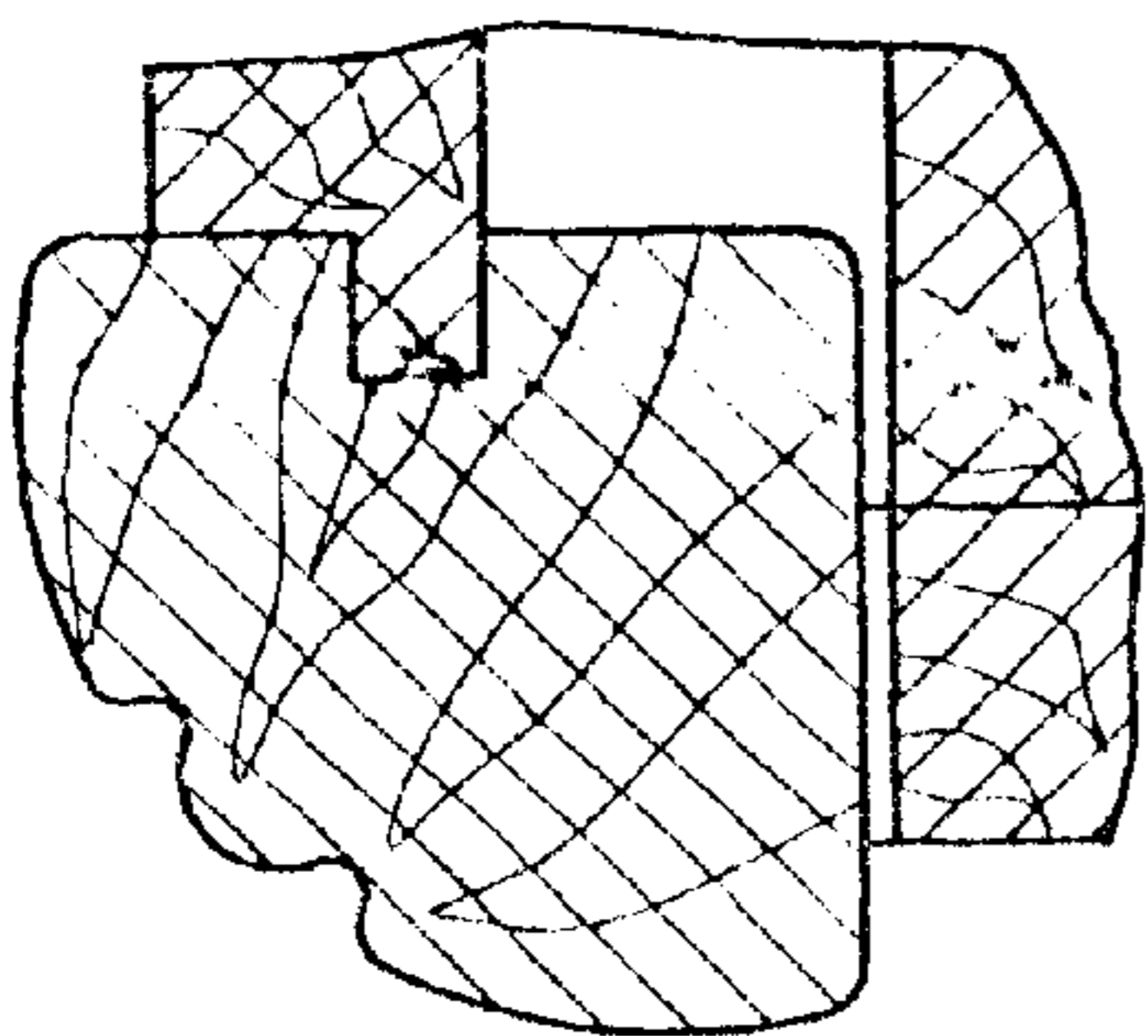
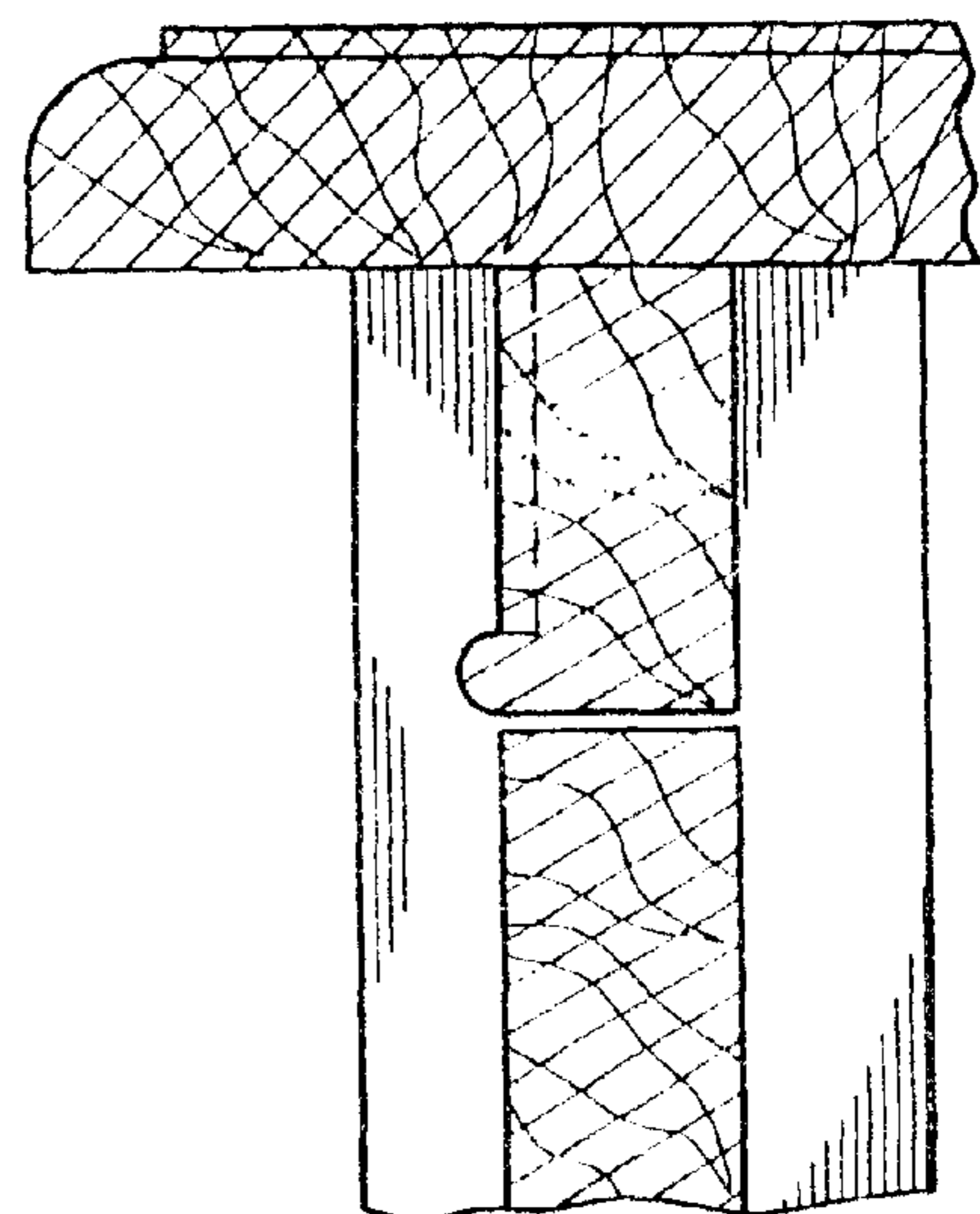


FIG.6



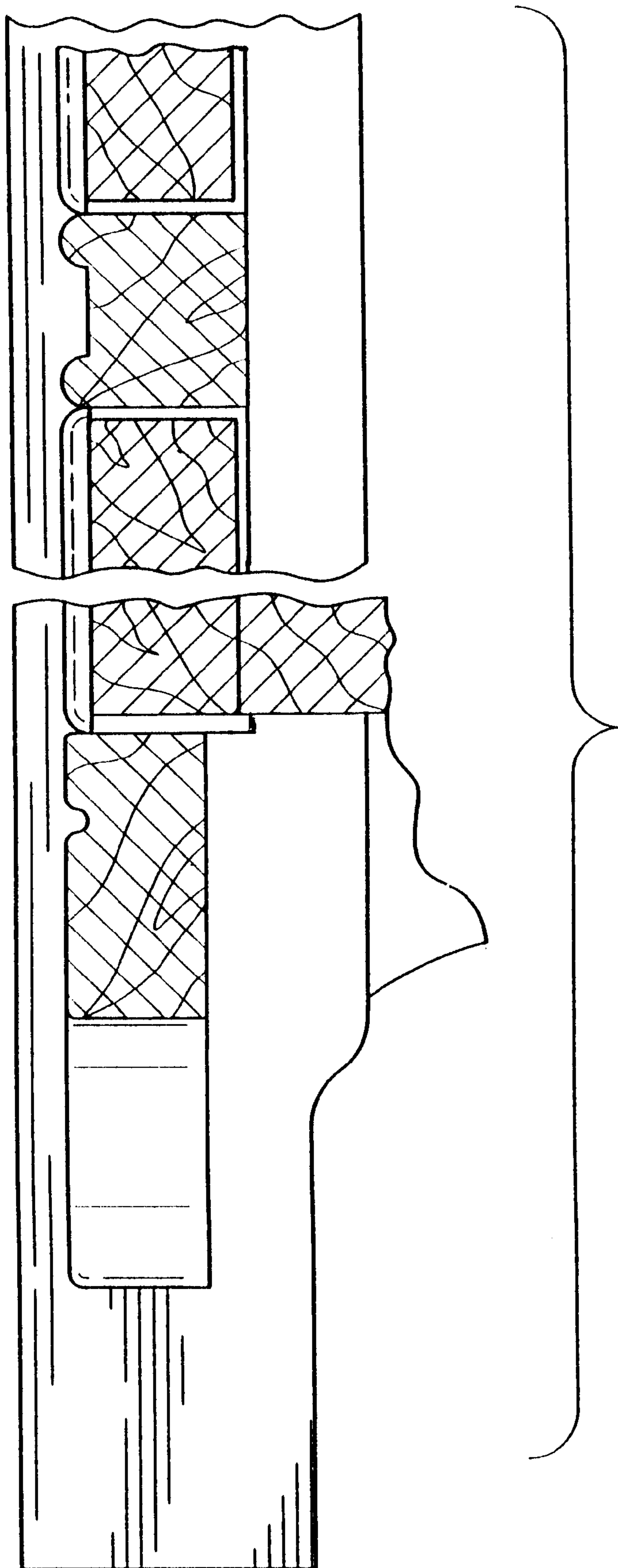


FIG.7

FIG.8

