



US00D462196S

(12) **United States Design Patent**
Holub et al.

(10) **Patent No.:** **US D462,196 S**

(45) **Date of Patent:** **** Sep. 3, 2002**

(54) **FOLDING TABLE**

D448,211 S * 9/2001 Schulte et al. D6/480

(75) Inventors: **Timothy Holub**, Cheney; **Lauren Worley**, Wichita; **Todd W. Showalter**, Derby; **Gary P. Israel**; **Mitchell L. Wilgus**, both of Andover; **Robert Schulte**, Augusta, all of KS (US); **James Morrow**, Oak Park; **Adam Savick**, Chicago, both of IL (US)

* cited by examiner

Primary Examiner—Janice E. Seeger

(74) *Attorney, Agent, or Firm*—Kramer Levin Naftalis & Frankel, LLP

(73) Assignee: **The Coleman Company, Inc.**, Wichita, KS (US)

(57) **CLAIM**

The ornamental design for a folding table, as shown and described.

(**) Term: **14 Years**

DESCRIPTION

(21) Appl. No.: **29/145,094**

FIG. 1 is a front left perspective view of a folding table according to an exemplary embodiment of the present invention, the folding table being in an extended position having four legs rotated outward.

(22) Filed: **Jul. 16, 2001**

FIG. 2 is a left side elevational view of the folding table of FIG. 1.

(51) **LOC (7) Cl.** **06-03**

FIG. 3 is a right side elevational view of the folding table of FIG. 1.

(52) **U.S. Cl.** **D6/429; D6/480**

FIG. 1.

(58) **Field of Search** D6/480-489, 495-499, D6/429-431, 511; 108/150, 151, 153.1, 156, 157.1, 161, 115, 69, 77, 129; 248/188, 188.1, 188.8

FIG. 4 is a front elevational view of the folding table of FIG. 1.

FIG. 5 is a back elevational view of the folding table of FIG. 1.

(56) **References Cited**

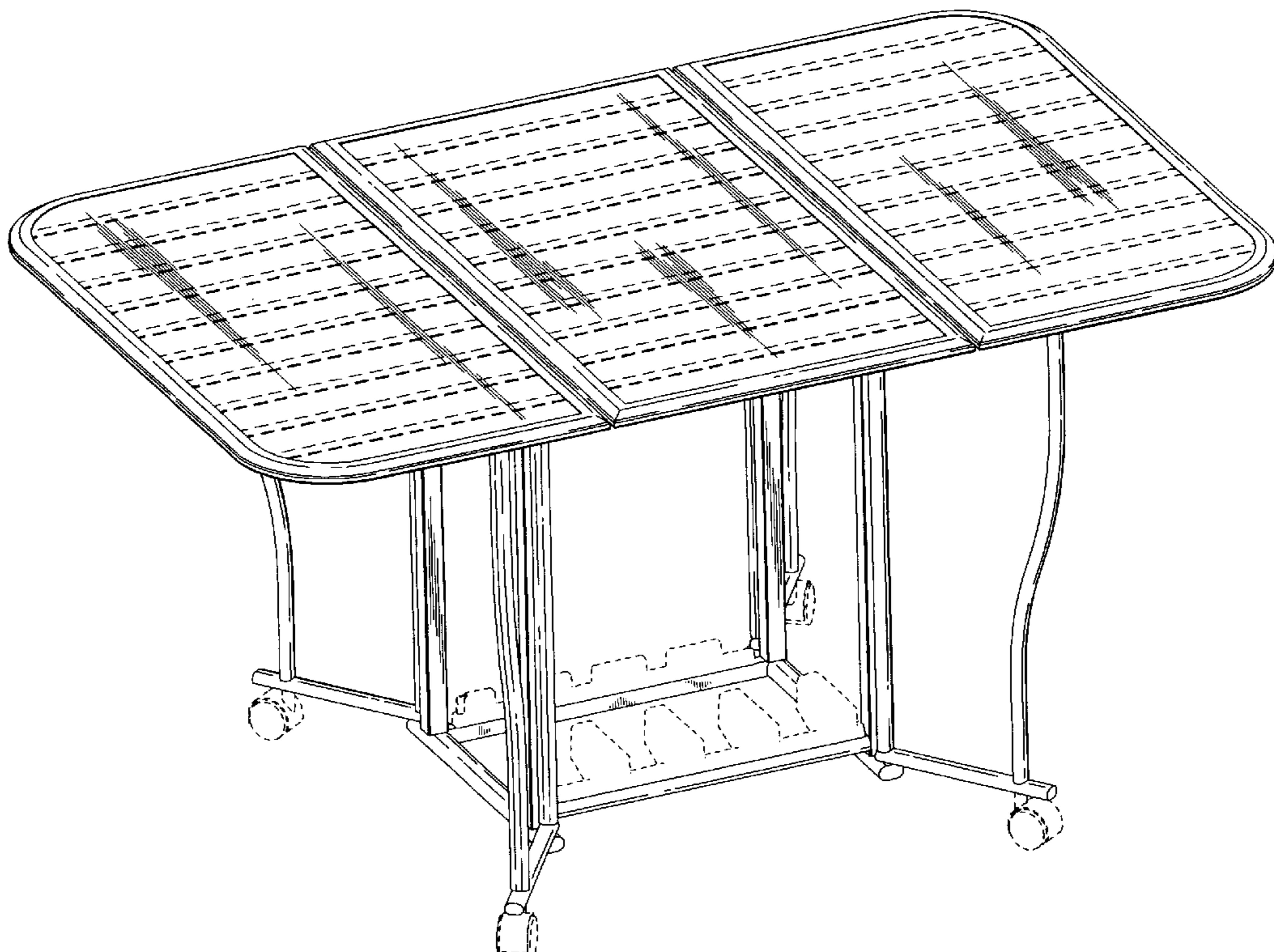
FIG. 6 is a top plan view of the folding table of FIG. 1; and, FIG. 7 is a rear left perspective view of the folding table in folded condition and having four legs rotated inward.

U.S. PATENT DOCUMENTS

The broken lines are for environmental purposes only and form no part of the claimed design.

D153,739 S	*	5/1949	Wallance	D6/429
D182,910 S	*	5/1958	Lubberts et al.	D6/429
D293,862 S	*	1/1988	Hubert	D6/430
D421,859 S	*	3/2000	Klein	D6/488

1 Claim, 7 Drawing Sheets



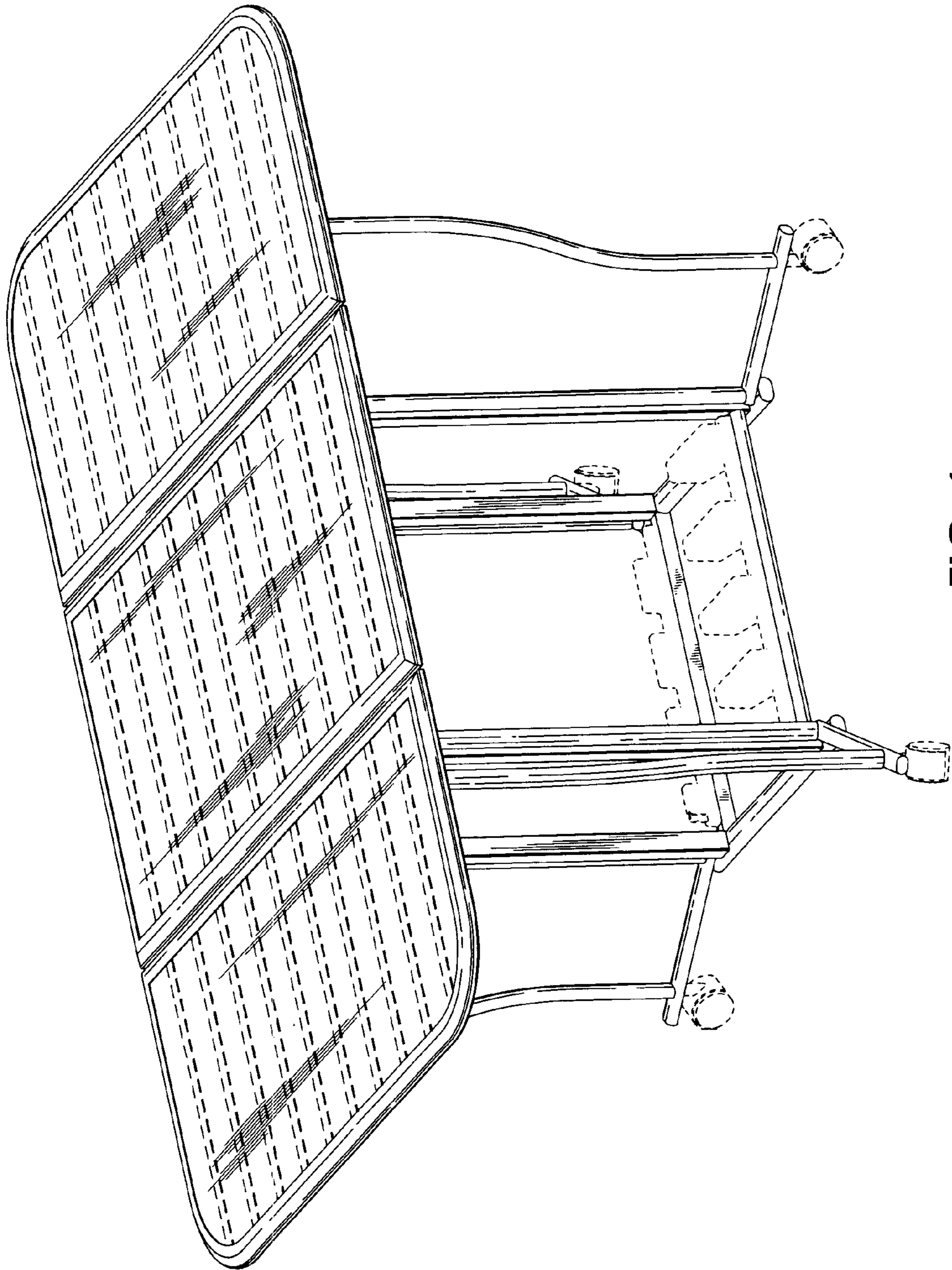


FIG. 1

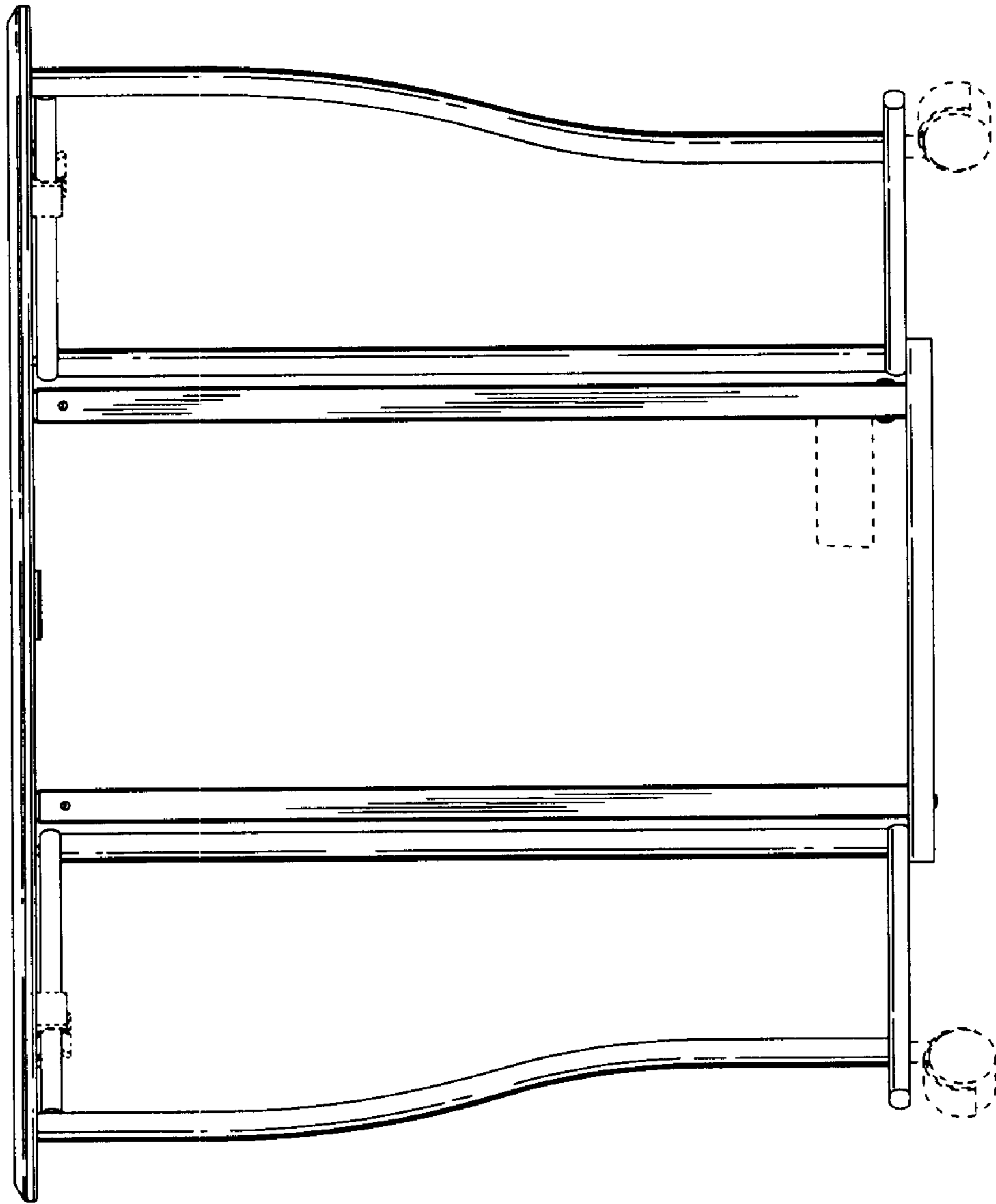


FIG. 2

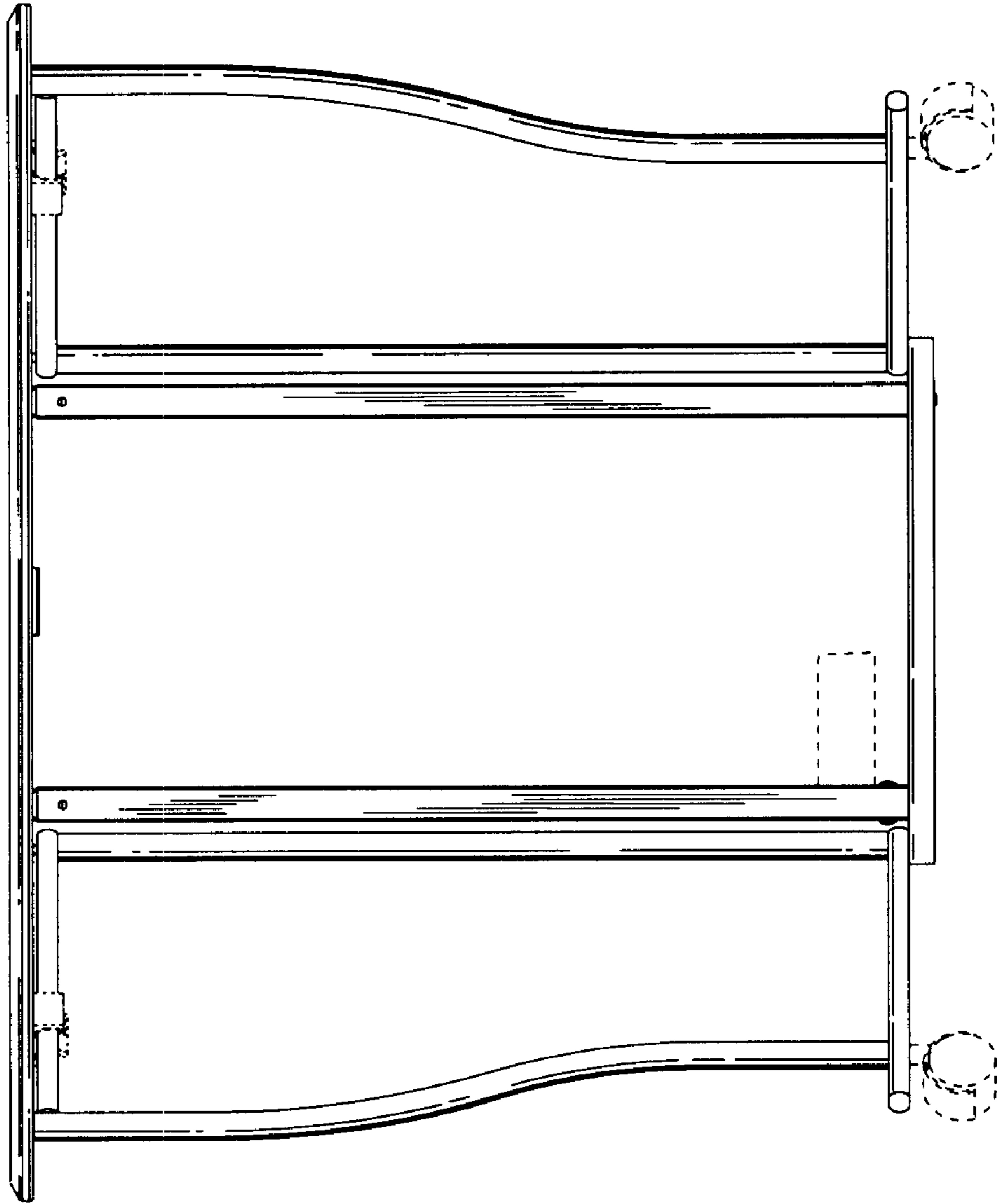


FIG. 3

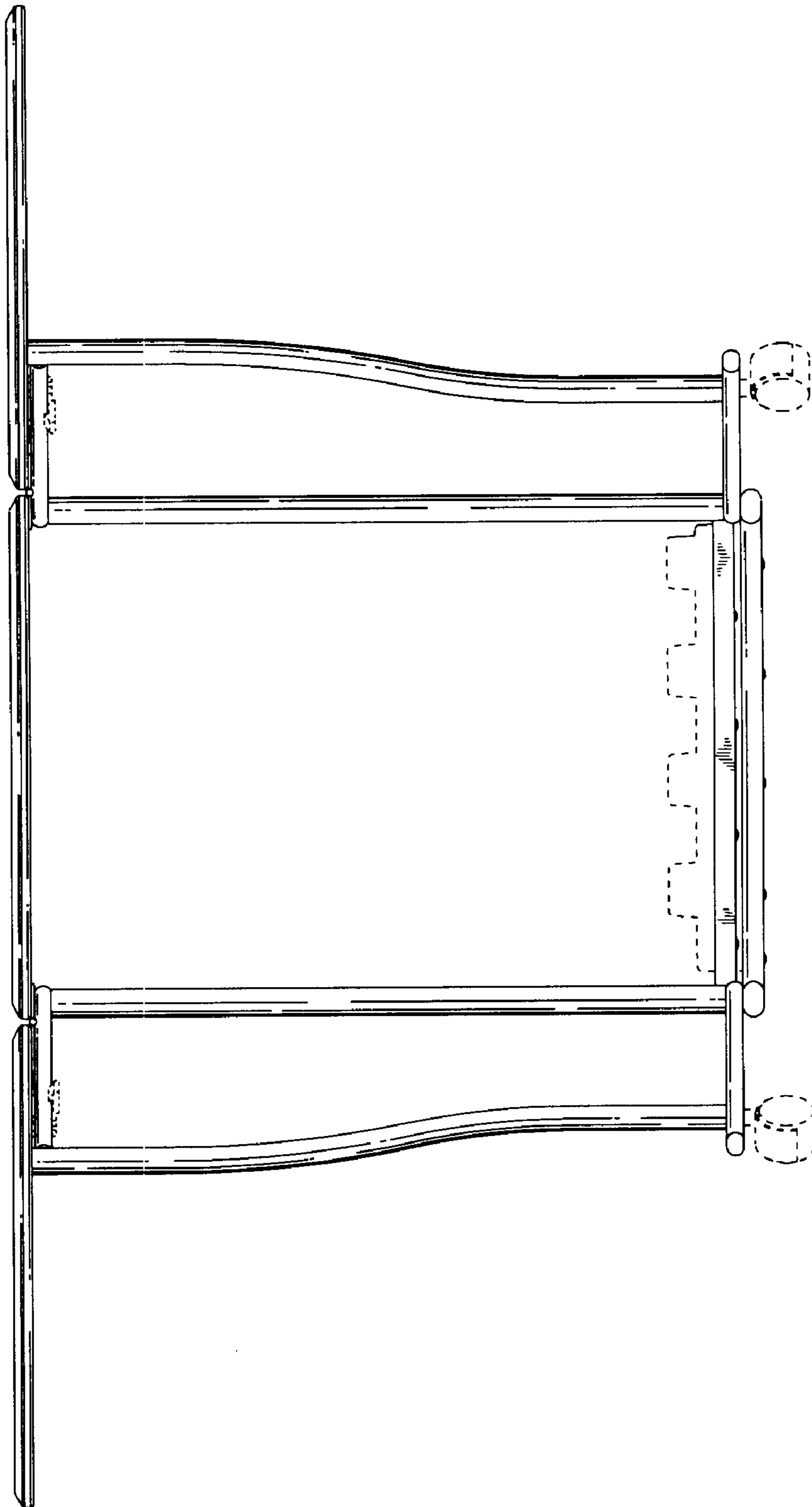


FIG. 4

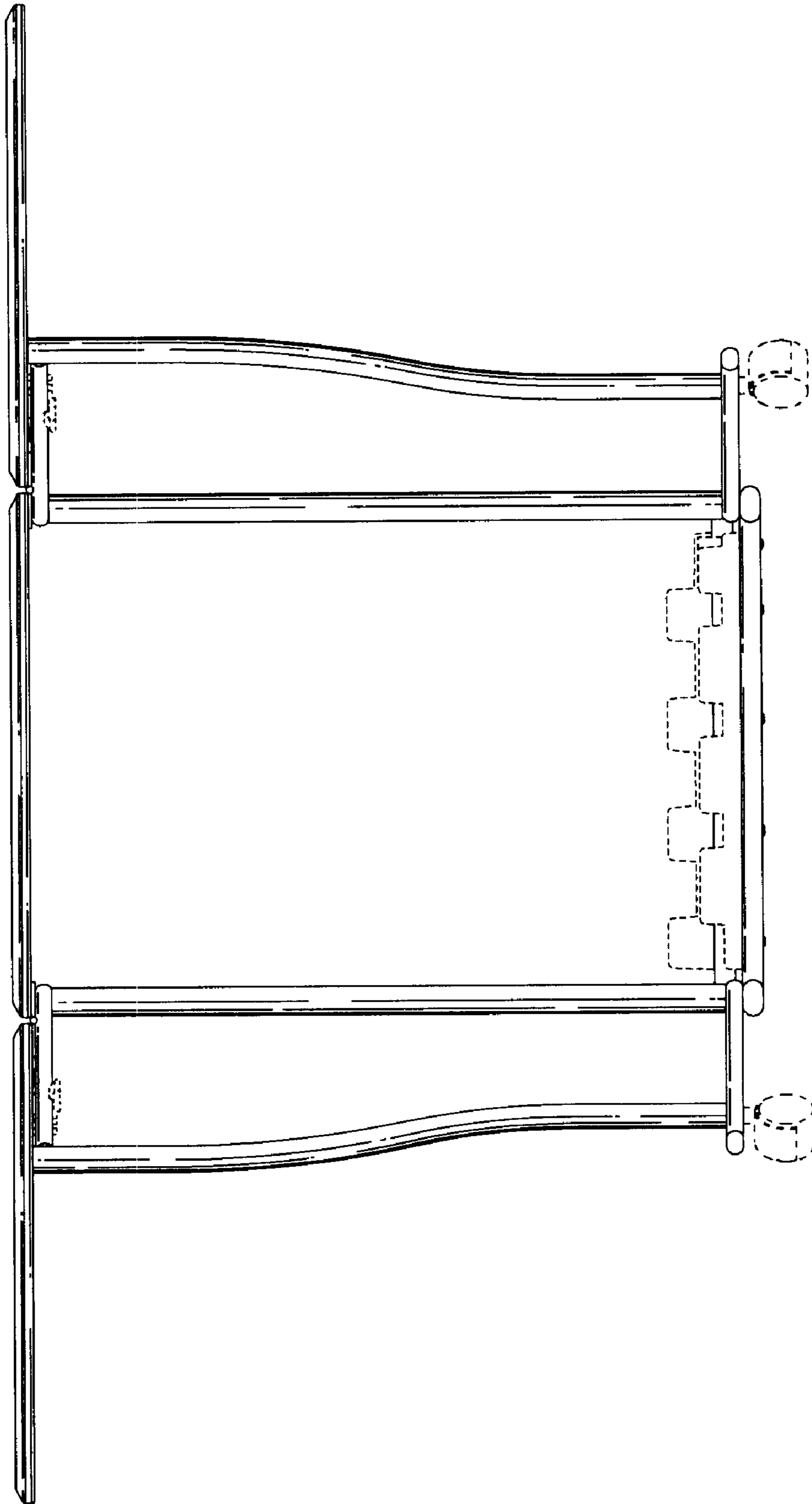


FIG. 5

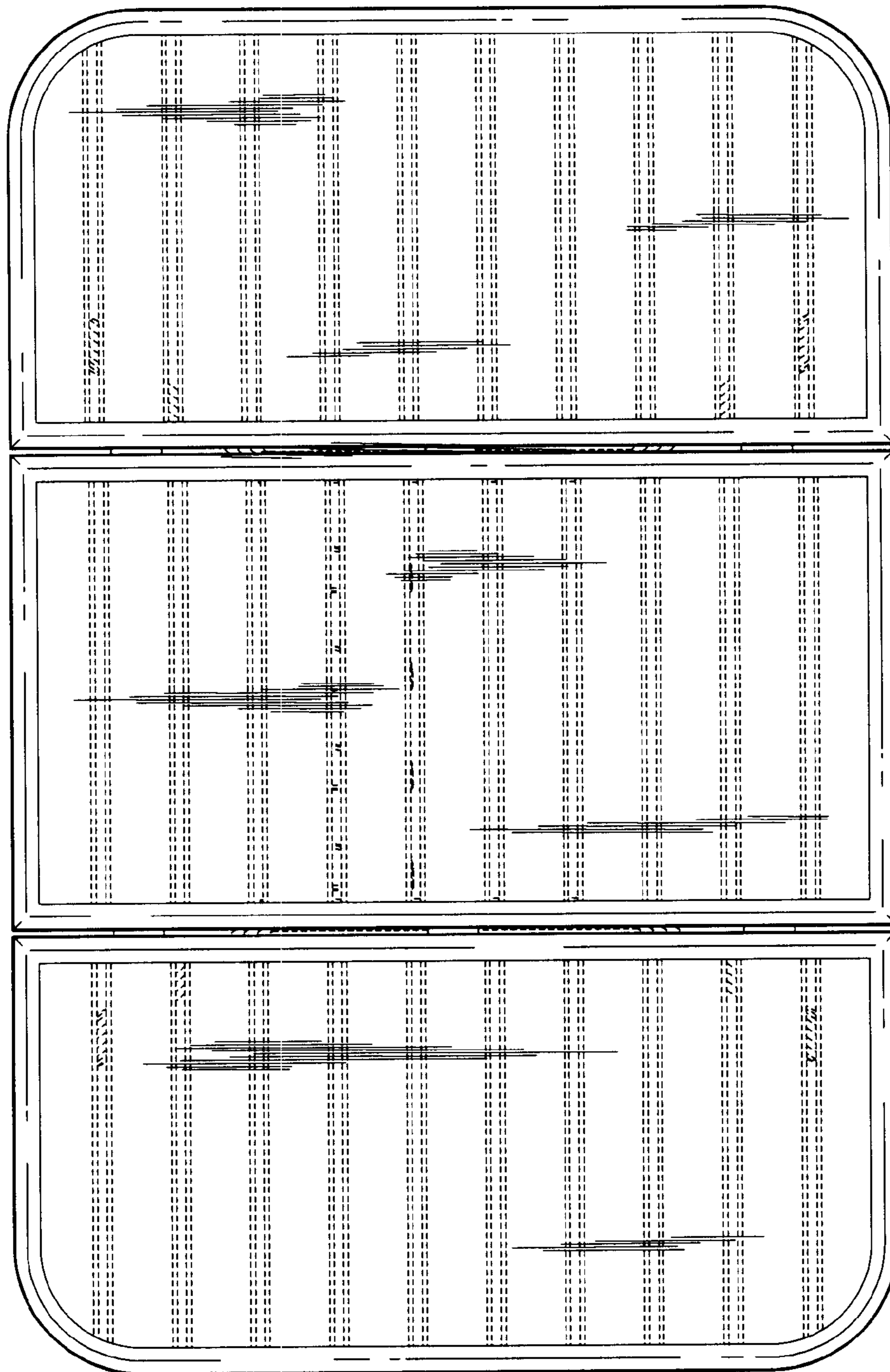


FIG. 6

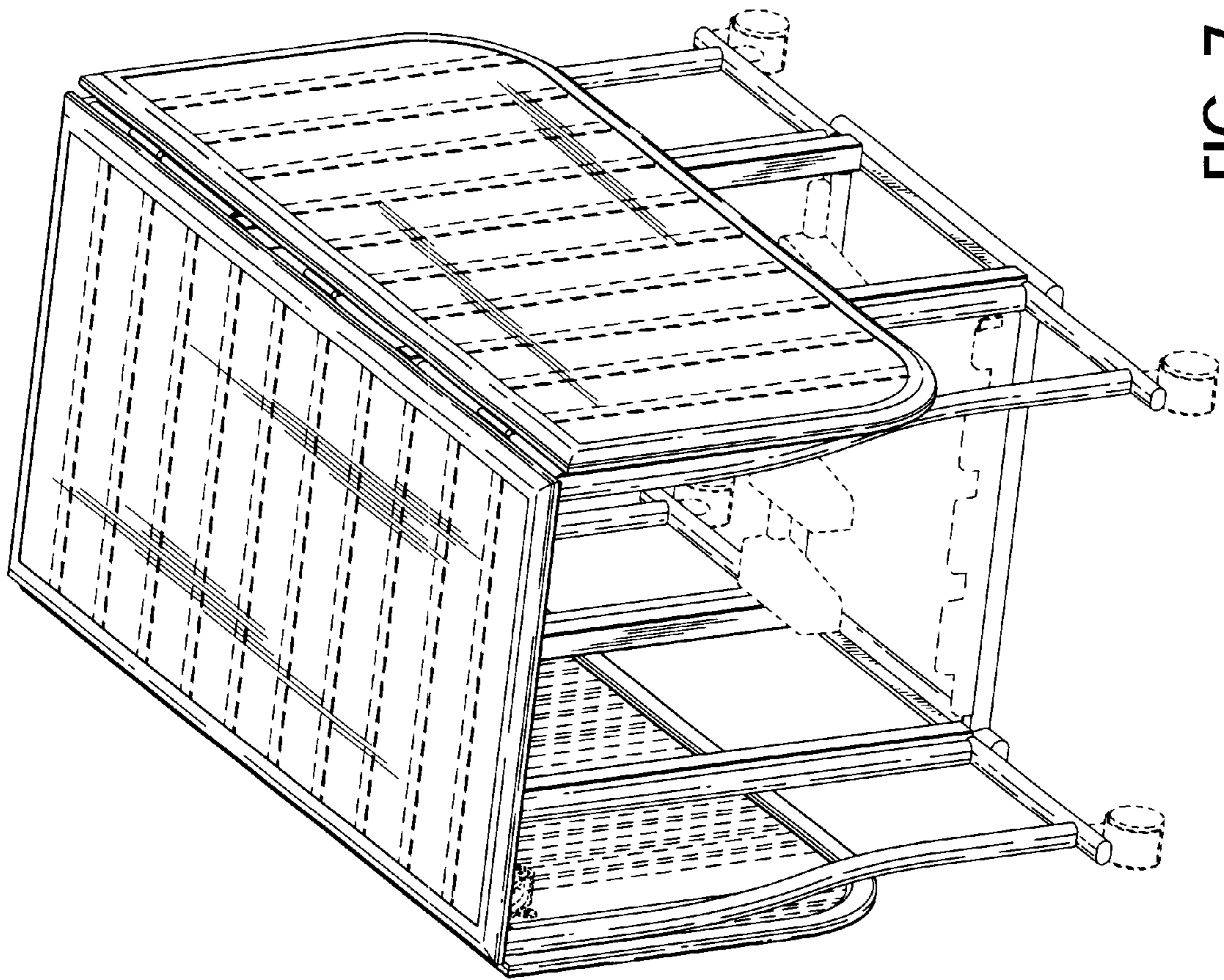


FIG. 7