



US00D462195S

(12) **United States Design Patent**
Wang

(10) **Patent No.:** **US D462,195 S**

(45) **Date of Patent:** **** Sep. 3, 2002**

(54) **COMPUTER DESK**

D452,620 S * 1/2002 Wang D6/426

(76) Inventor: **Chih-Hsing Wang**, P.O. Box 90, Tainan City (TW)

* cited by examiner

Primary Examiner—Janice E. Seeger

(**) Term: **14 Years**

(57) **CLAIM**

(21) Appl. No.: **29/150,095**

The ornamental design for a computer desk, as shown and described.

(22) Filed: **Nov. 6, 2001**

(51) **LOC (7) Cl.** **06-04**

(52) **U.S. Cl.** **D6/425; D6/426**

(58) **Field of Search** D6/422–428, 495, D6/499, 464, 465, 474, 477, 479; 312/194–196, 208.1; 108/50.01, 50.02, 92, 59

DESCRIPTION

FIG. 1 is a perspective view of a computer desk showing my design;

FIG. 2 is a front elevational view thereof;

FIG. 3 is a rear elevational view thereof;

FIG. 4 is a left side elevational view thereof;

FIG. 5 is a right side elevational view thereof;

FIG. 6 is a top plan view thereof; and,

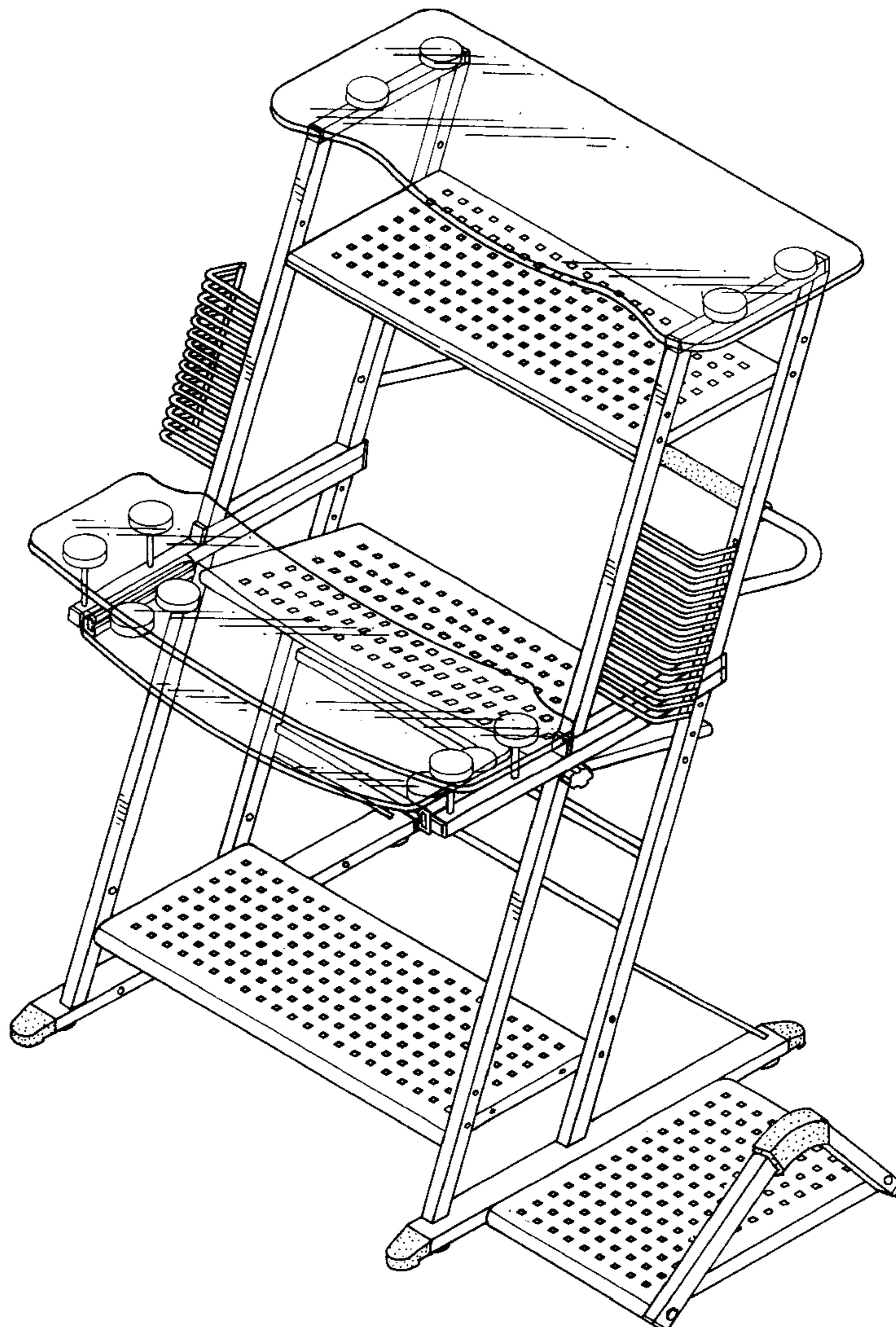
FIG. 7 is a bottom plan view thereof.

(56) **References Cited**

U.S. PATENT DOCUMENTS

- D324,143 S * 2/1992 Hammond D6/474
- 5,623,881 A * 4/1997 Huang 108/50
- D447,646 S * 9/2001 Chang D6/426

1 Claim, 6 Drawing Sheets



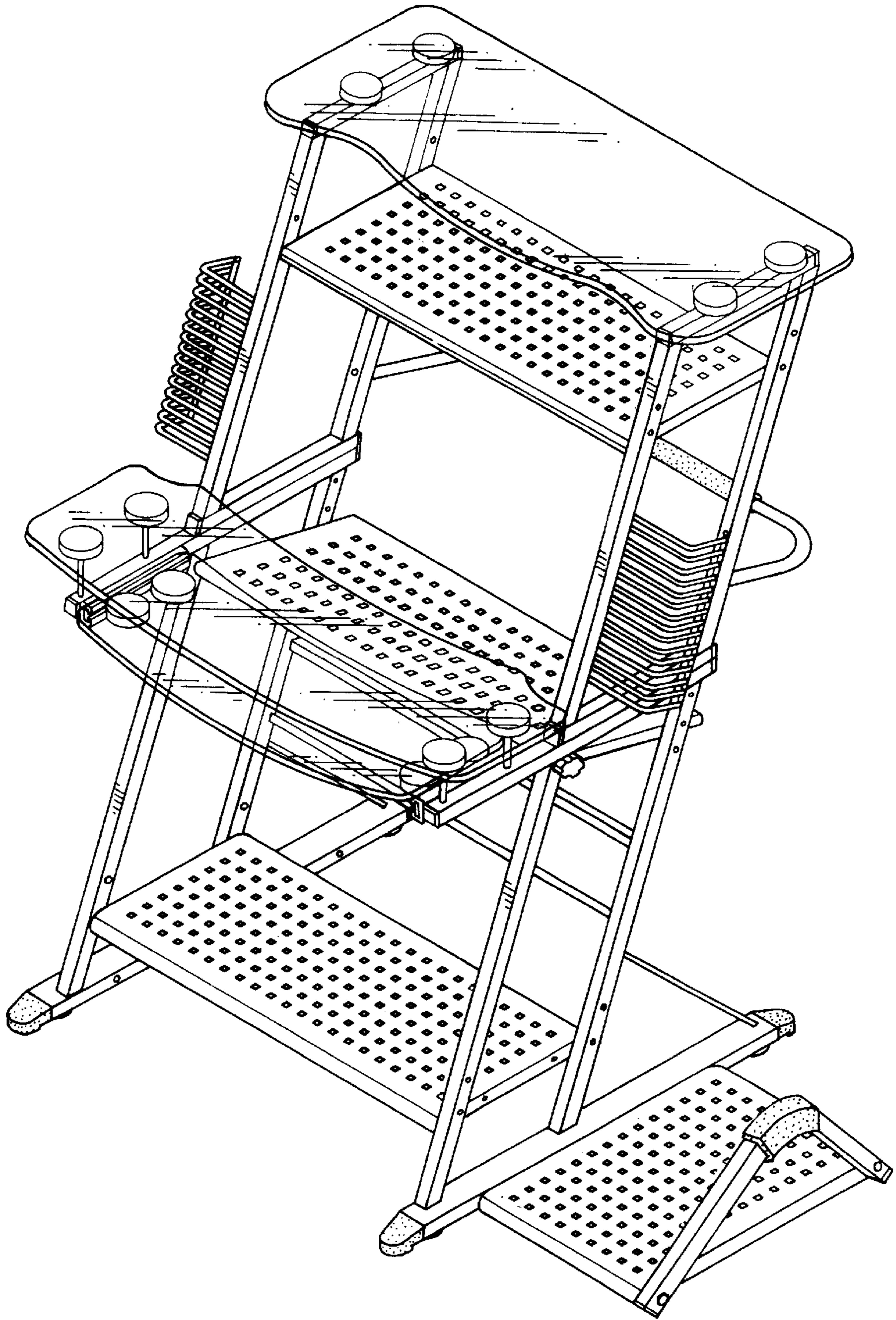


FIG. 1

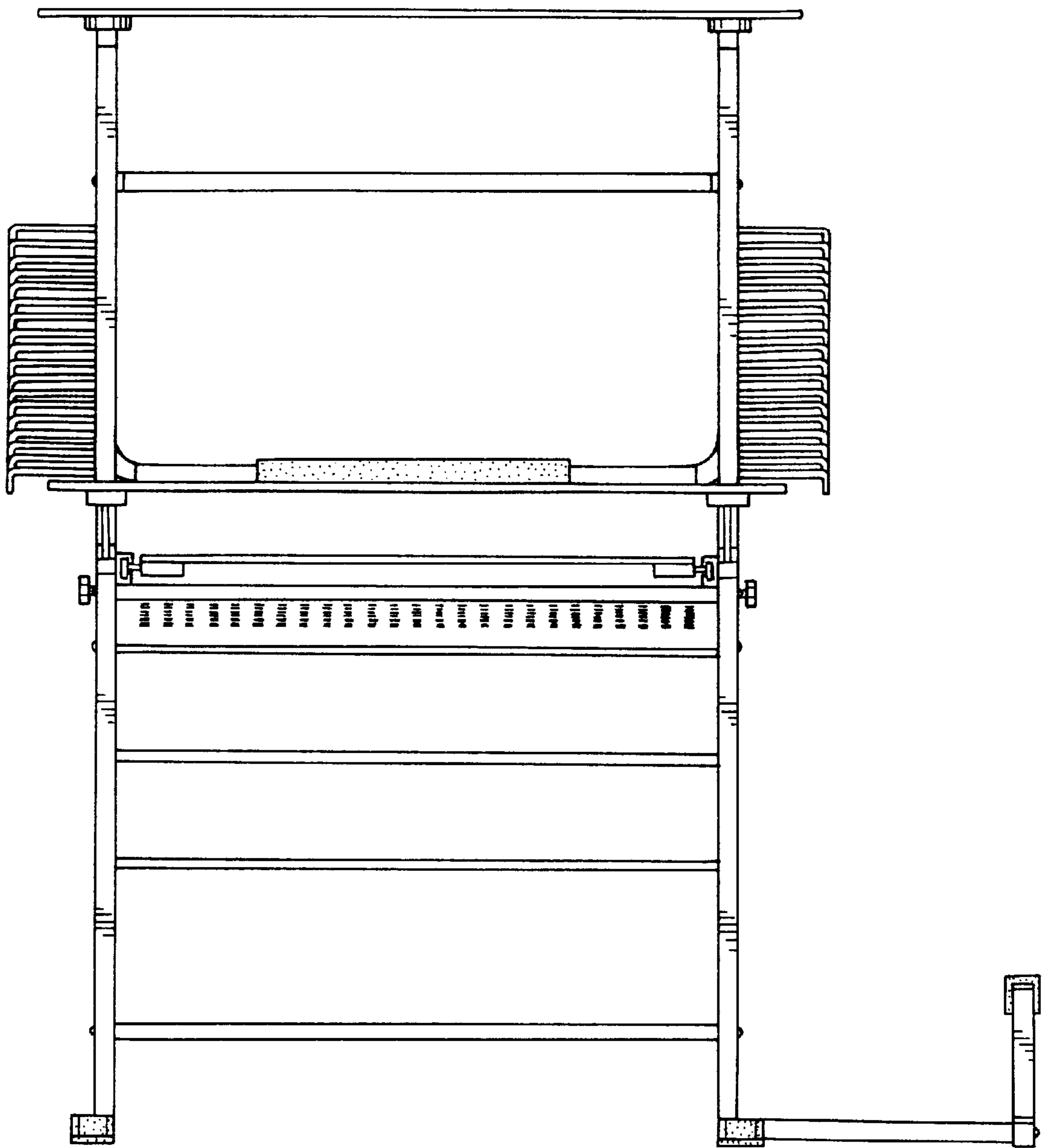


FIG.2

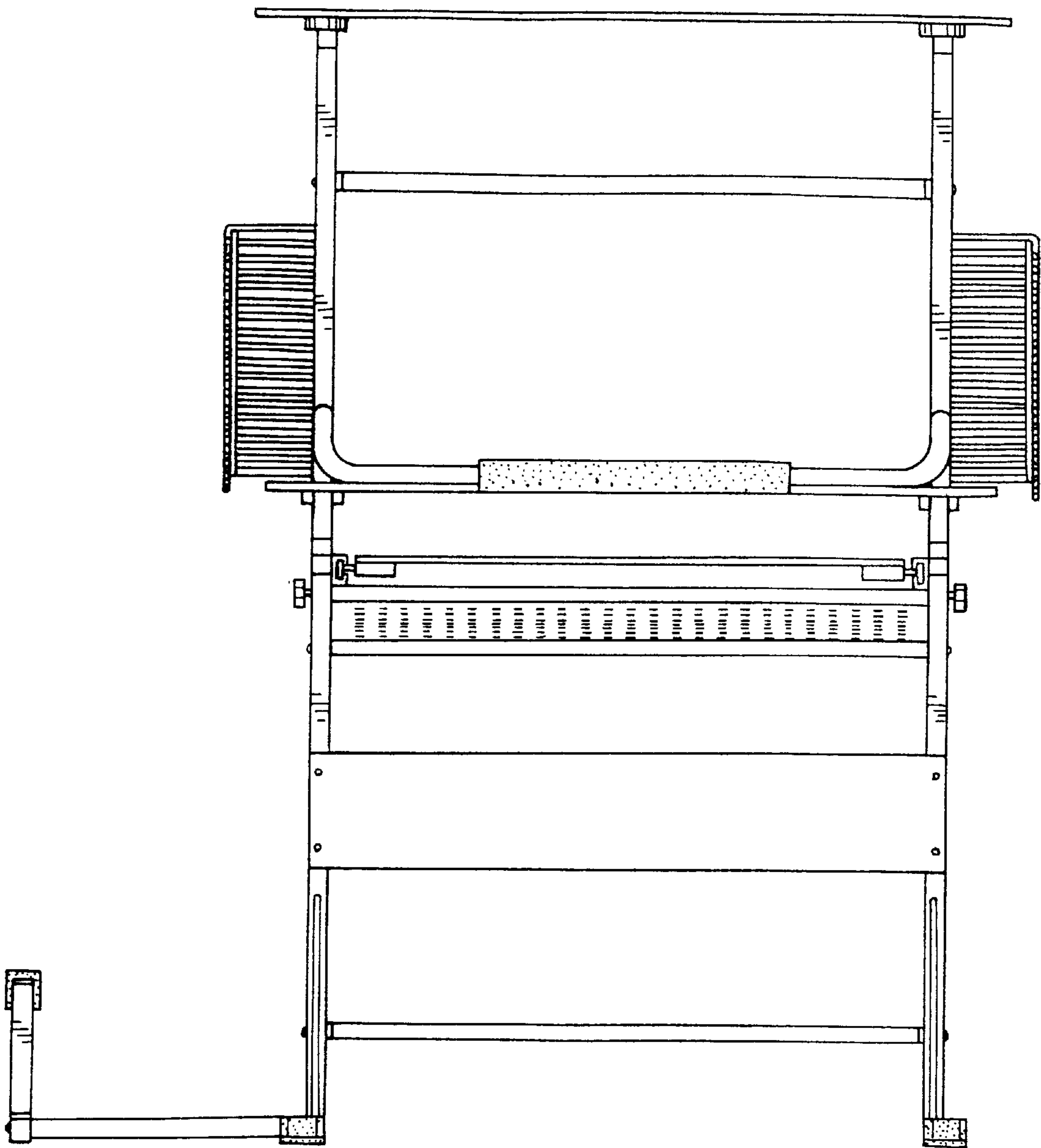


FIG. 3

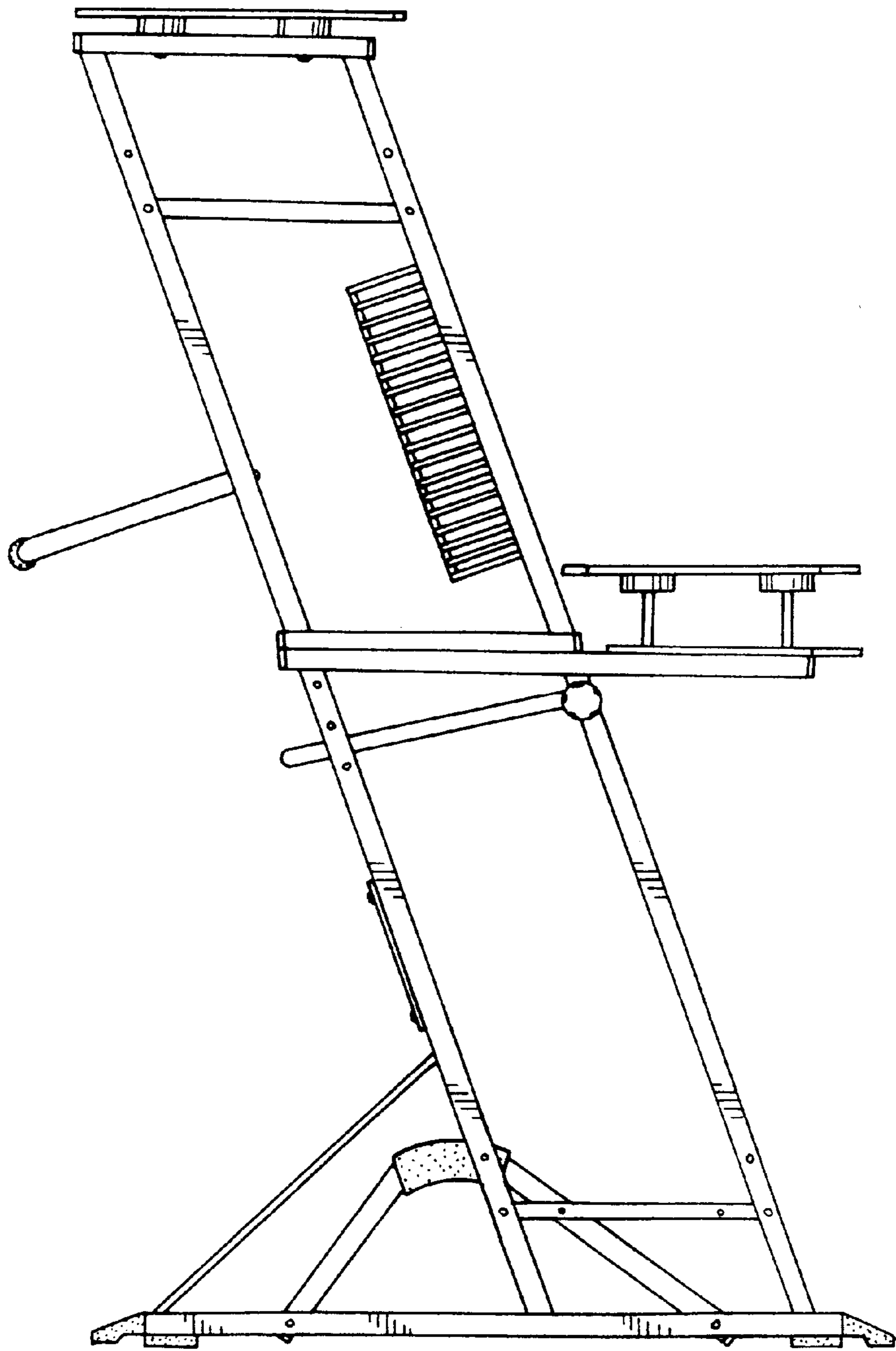


FIG.4

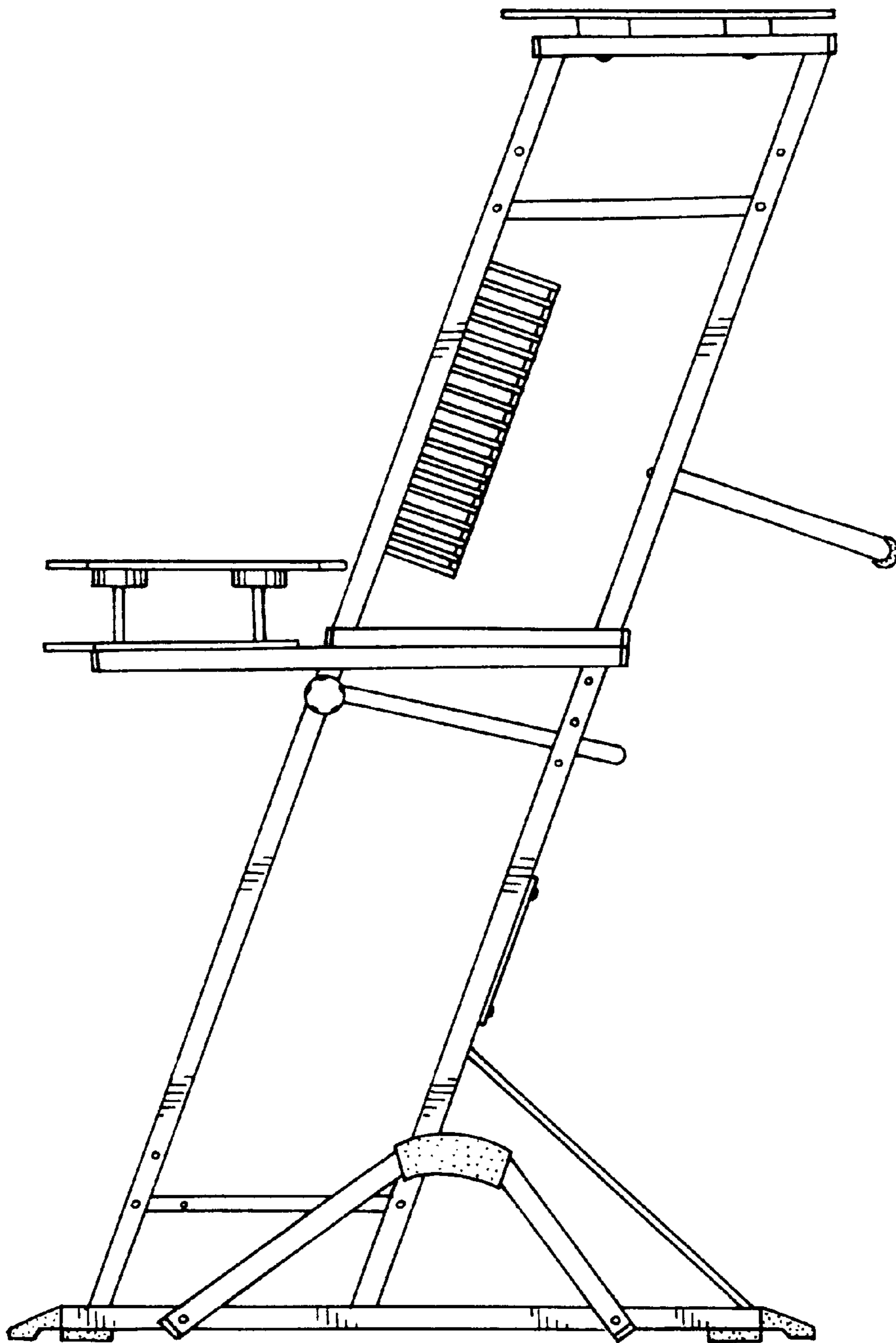


FIG.5

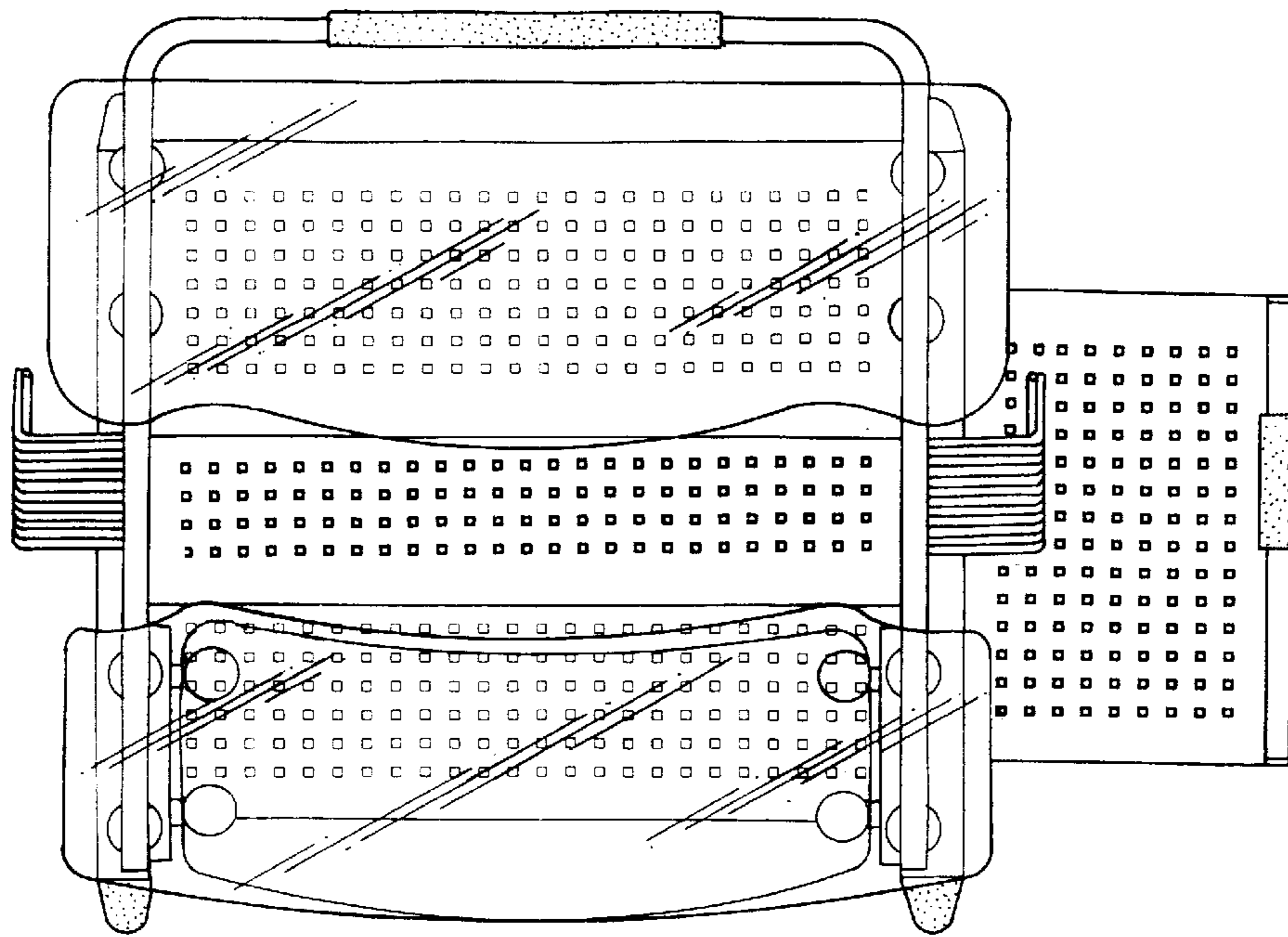


FIG. 6

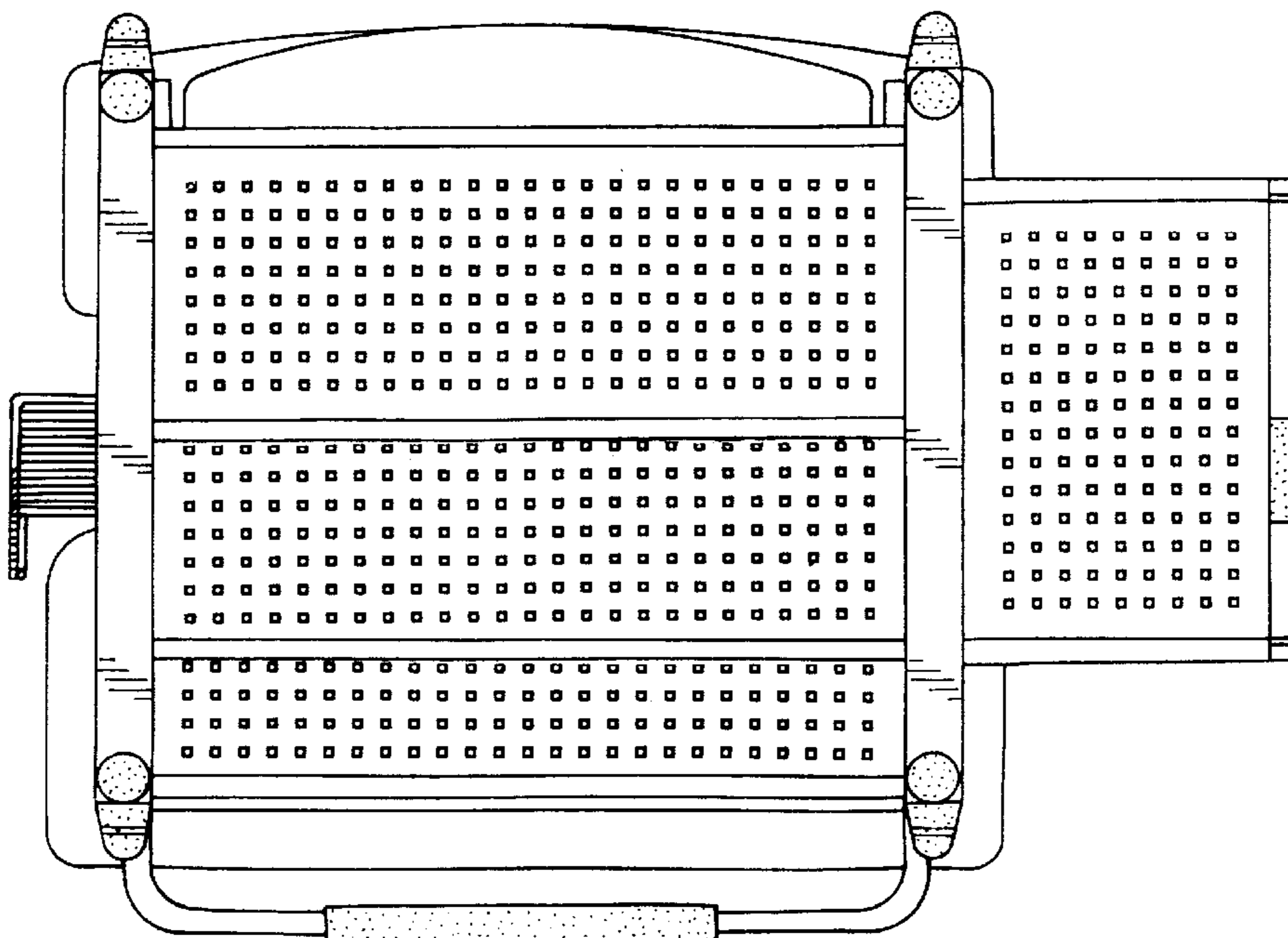


FIG. 7