



US00D462192S

(12) **United States Design Patent**
Jaccoma et al.

(10) **Patent No.:** **US D462,192 S**

(45) **Date of Patent:** **** Sep. 3, 2002**

(54) **SEAT**

(75) **Inventors:** **Lawrence P. Jaccoma**, White Plains, NY (US); **John J. LeShane**, Guilford, CT (US)

(73) **Assignee:** **Johnston Casuals Furniture, Inc.**, North Wilkesboro, NC (US)

(**) **Term:** **14 Years**

(21) **Appl. No.:** **29/140,518**

(22) **Filed:** **Apr. 19, 2001**

(51) **LOC (7) Cl.** **06-01**

(52) **U.S. Cl.** **D6/380**

(58) **Field of Search** D6/334, 370, 374, D6/376, 379, 380, 500, 501, 502; 297/446.1

(56) **References Cited**

U.S. PATENT DOCUMENTS

D376,273 S	*	12/1996	Keller	D6/380
D404,583 S	*	1/1999	Muller	D6/370
D430,419 S	*	9/2000	Chun	D6/380
D447,355 S	*	9/2001	Copeland	D6/380

OTHER PUBLICATIONS

Amisco web site, Paul chair shown (www.amisco.com), Dec. 19, 2001.*

Home Decorators catalog, p. 99, "D" Lattice-back chair at bottom, Spring 2000.*

Encyclopedia of Chairs by Simon Yates, p. 84, chair 1366 at top right by Gimson, ©1988.*

* cited by examiner

Primary Examiner—Gary D. Watson

(74) *Attorney, Agent, or Firm*—Womble Carlyle Sandridge & Rice, PLLC; Lewis S. Rowell

(57) **CLAIM**

The ornamental design for a seat, as shown and described.

DESCRIPTION

FIG. 1 is a left front perspective view of a seat showing our new design;

FIG. 2 is a front perspective view thereof;

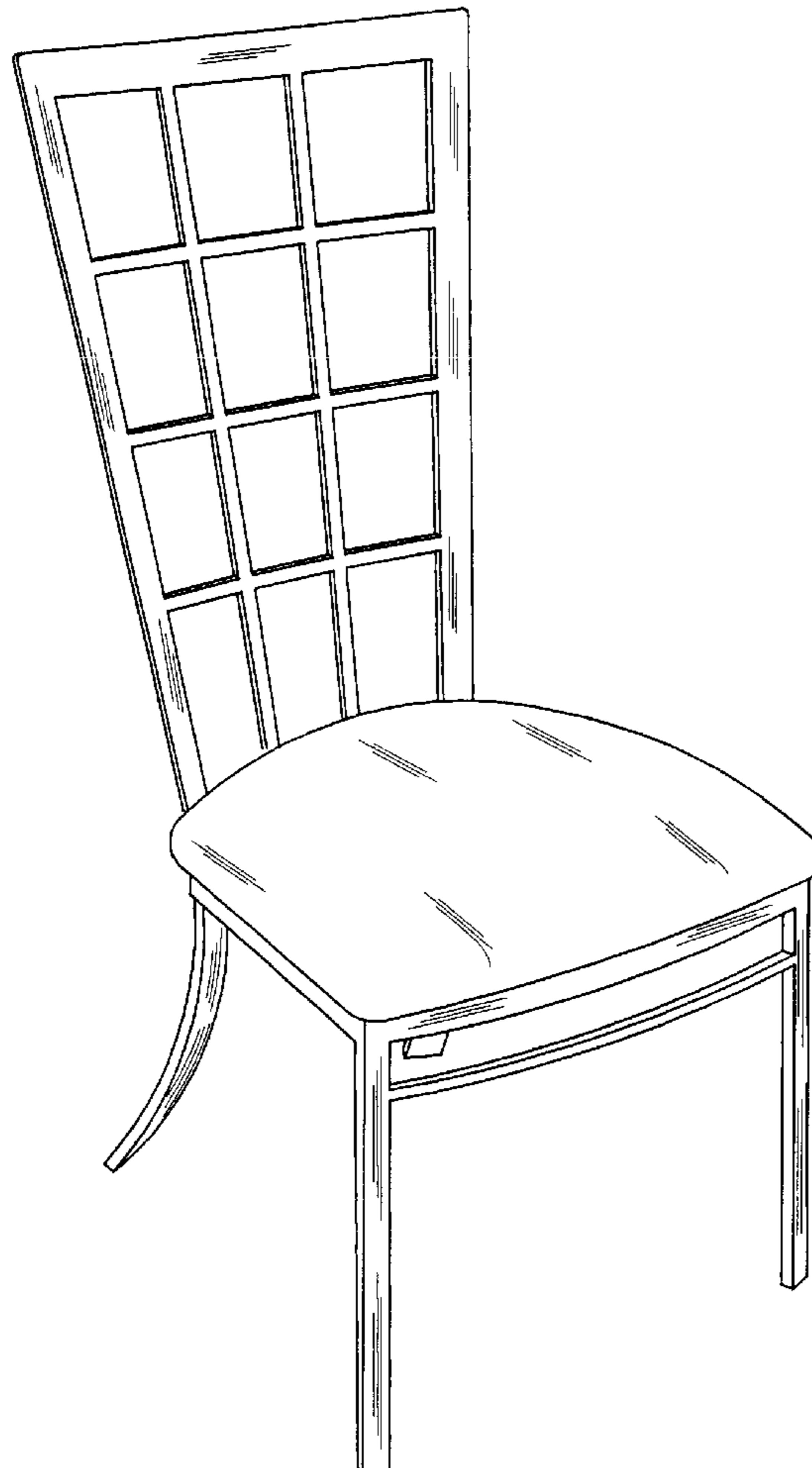
FIG. 3 is a front elevational view thereof;

FIG. 4 is a side view thereof;

FIG. 5 is a rear perspective view thereof; and,

FIG. 6 is a left rear perspective view thereof.

1 Claim, 3 Drawing Sheets



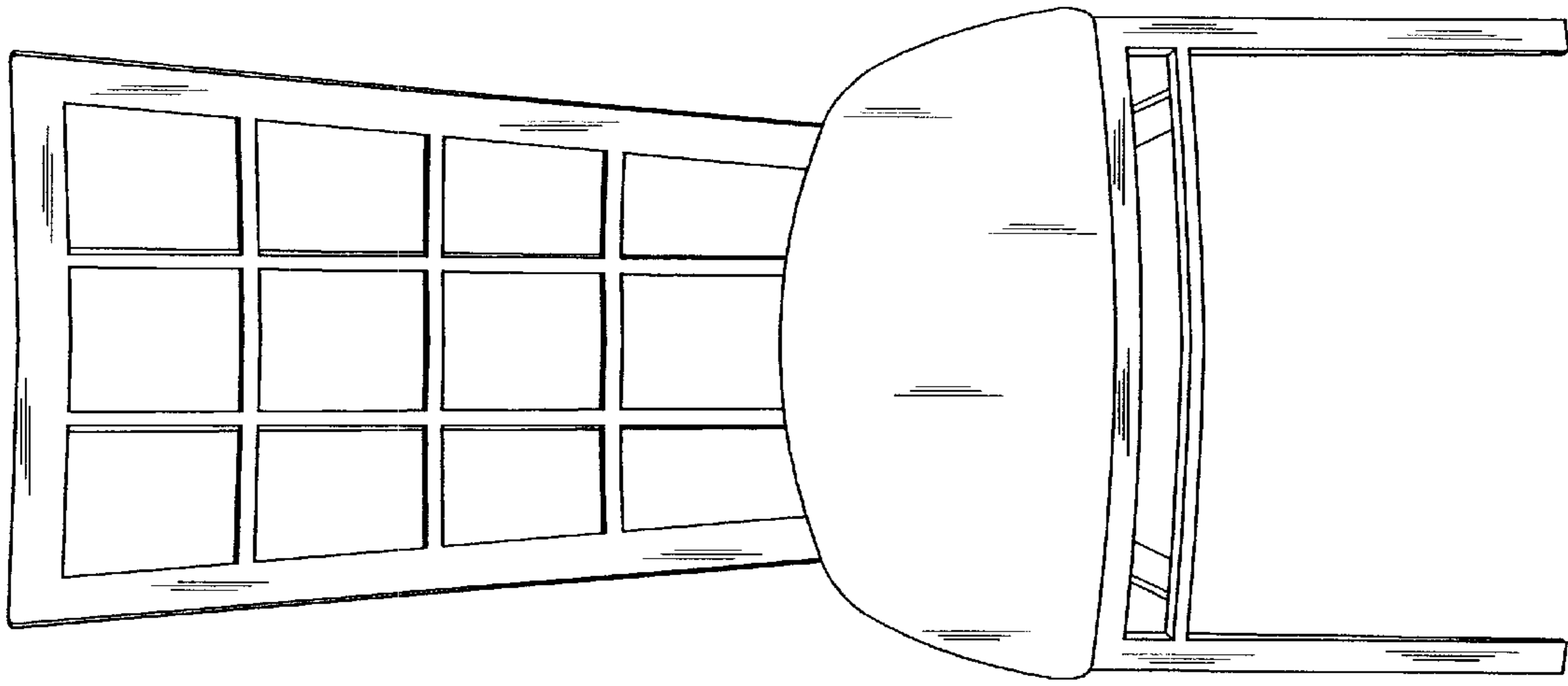


FIG. 2

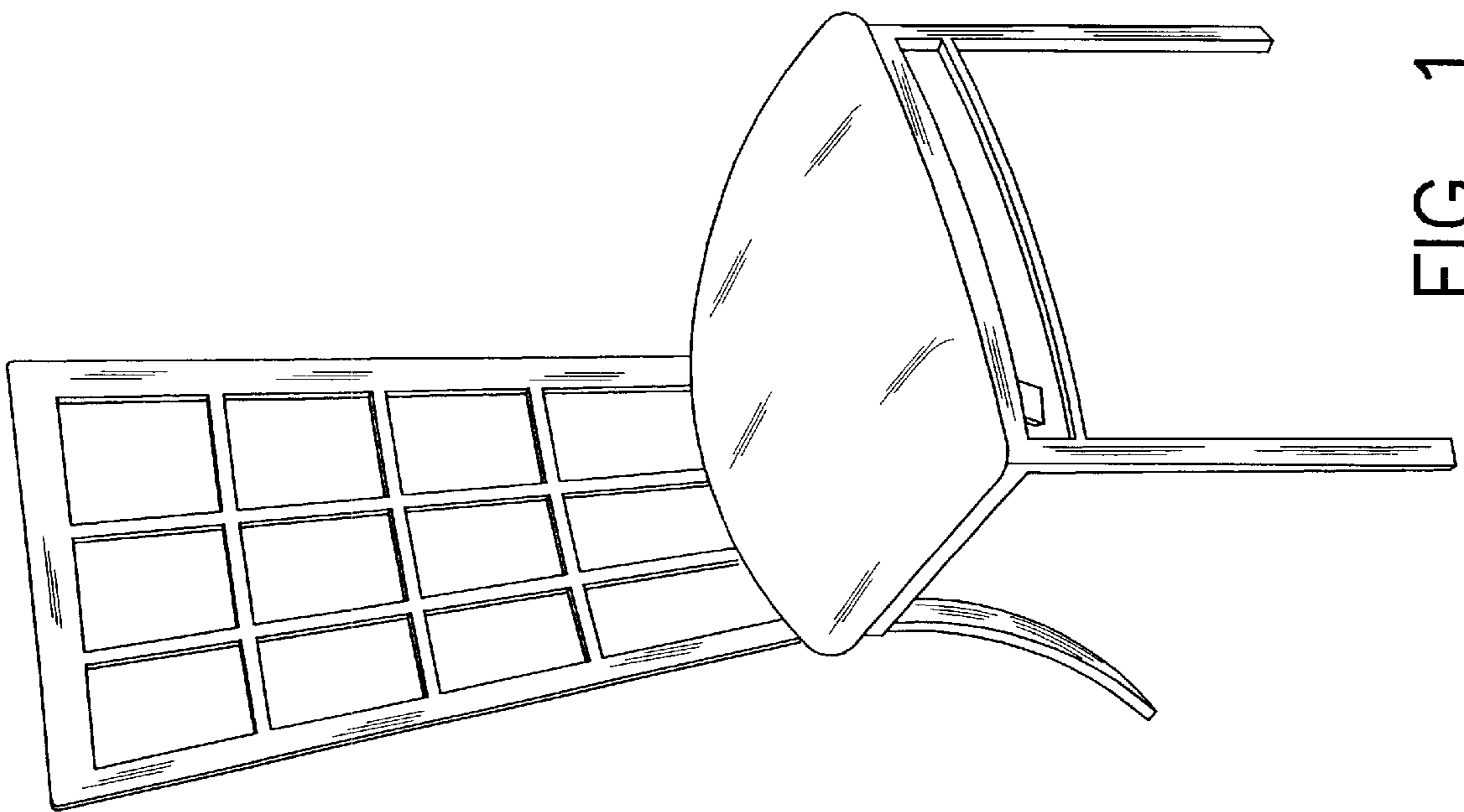


FIG. 1

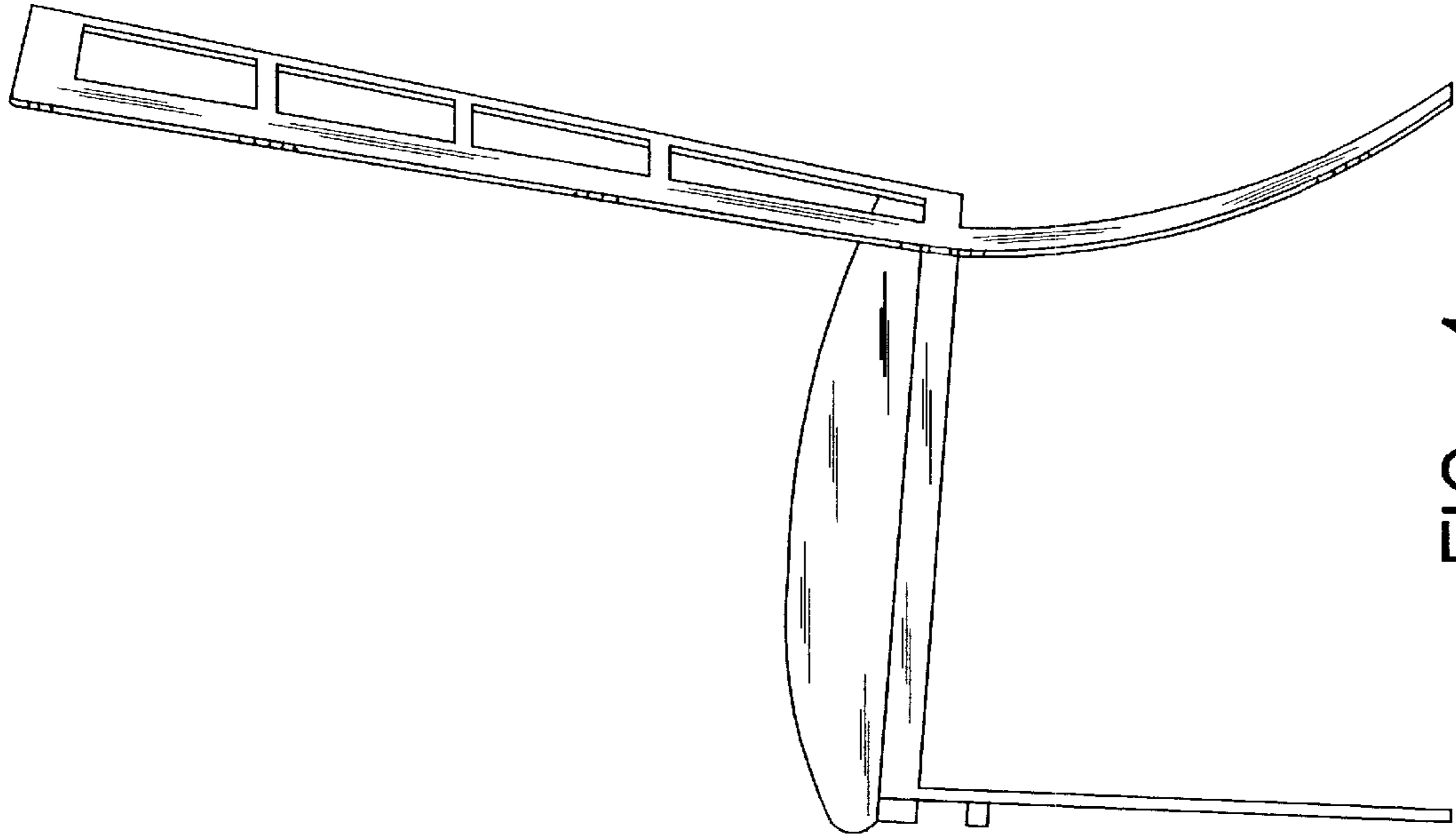


FIG. 4

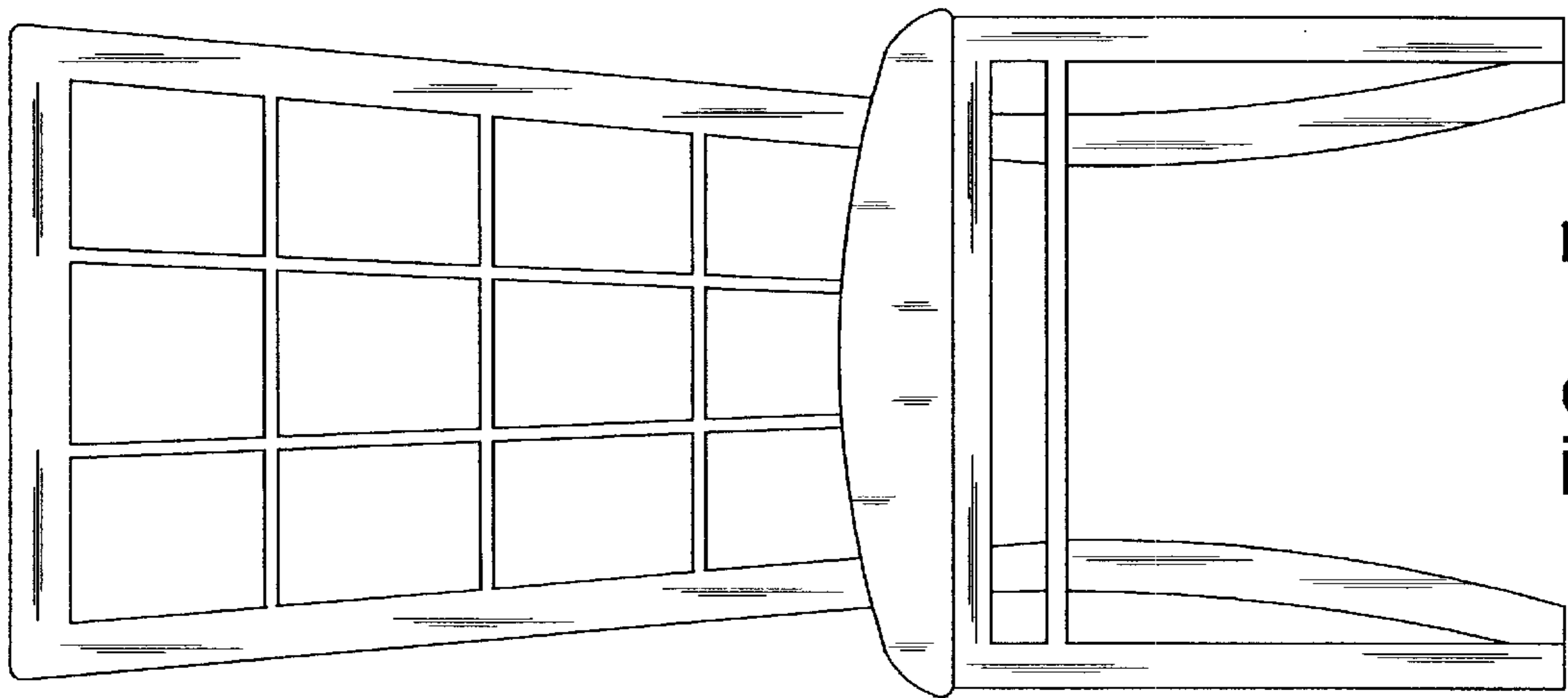


FIG. 3

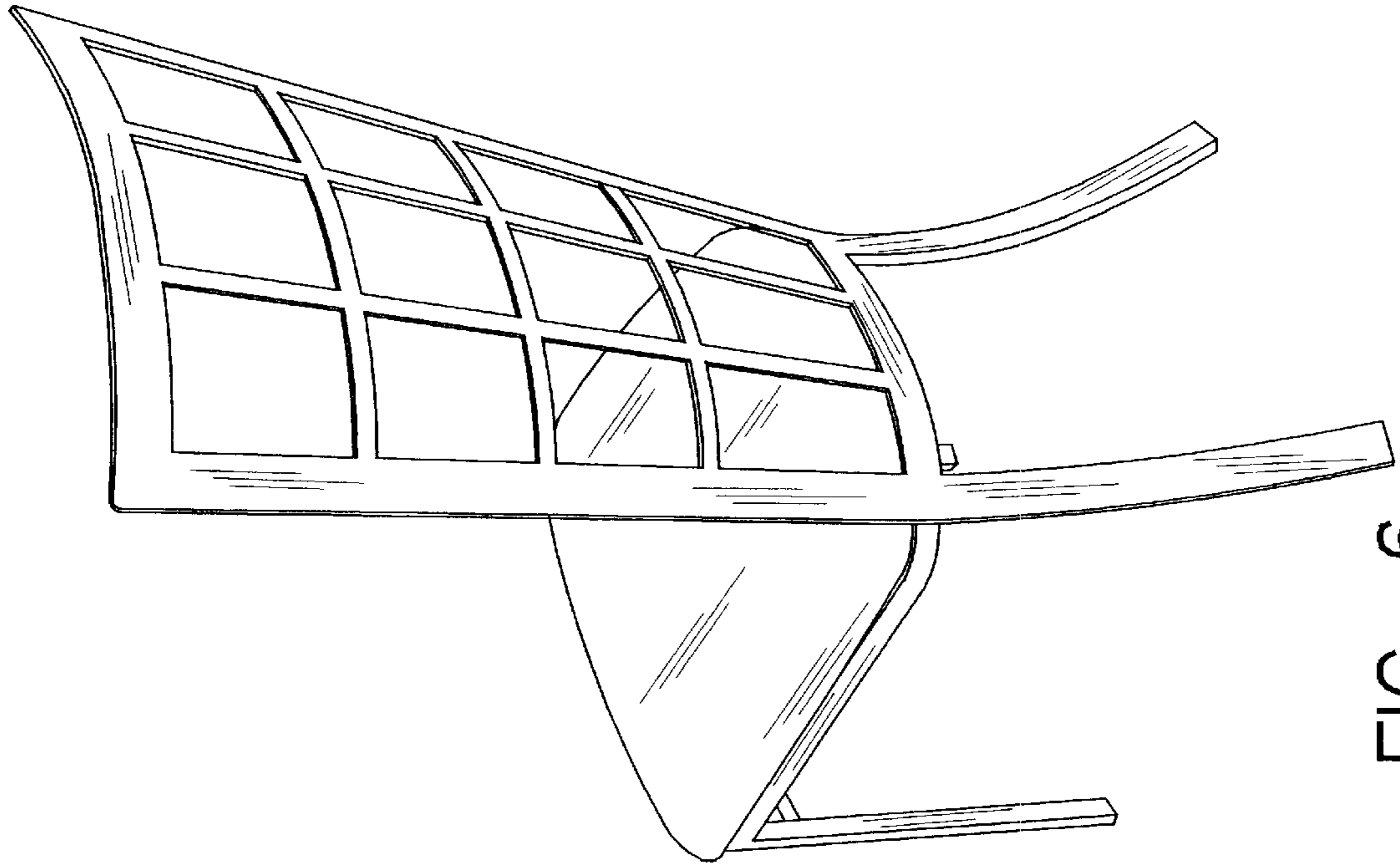


FIG. 6

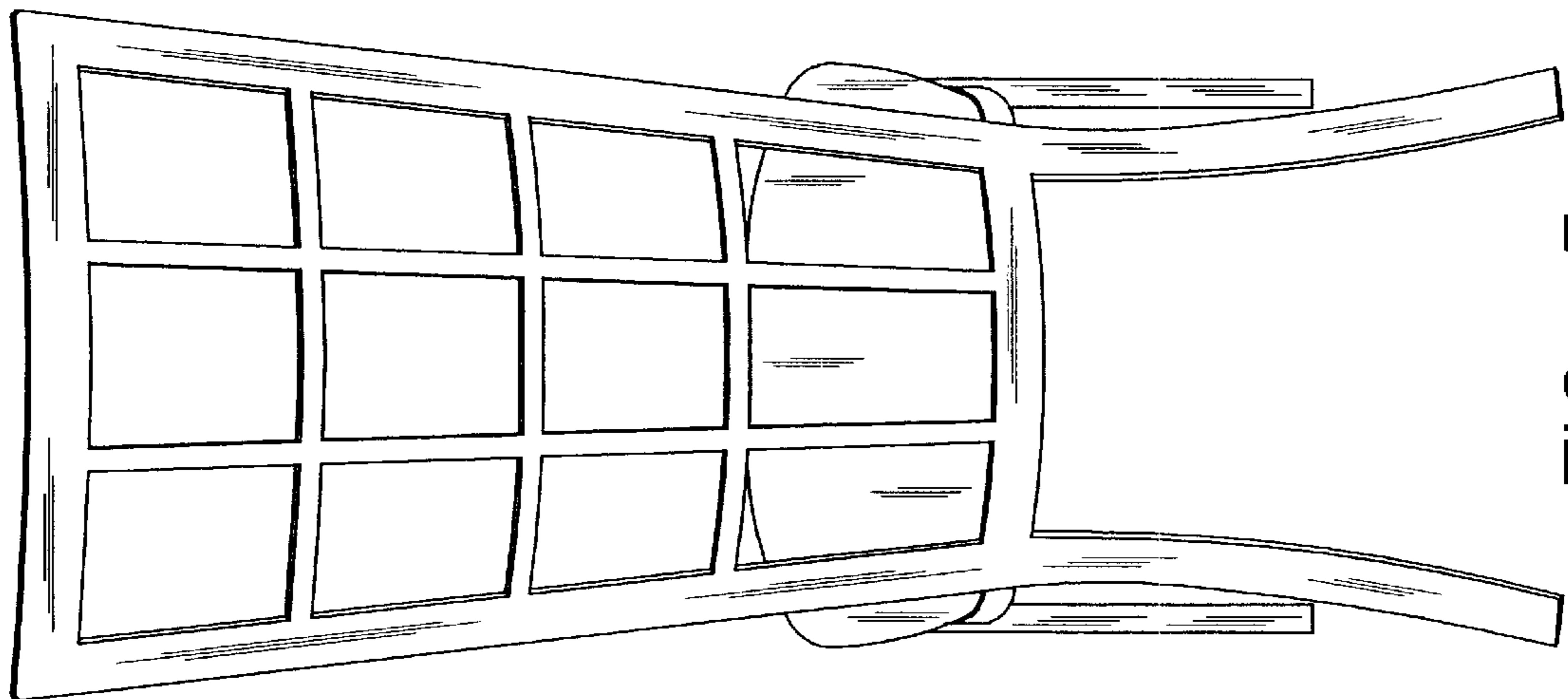


FIG. 5