



US00D462191S

(12) **United States Design Patent**
Lovell

(10) **Patent No.:** **US D462,191 S**

(45) **Date of Patent:** **** Sep. 3, 2002**

(54) **ARM CHAIR**

D265,871 S * 8/1982 Gageby D6/370

(76) **Inventor:** **Suzanne Lovell**, 3800 N. Lake Shore
Dr., Chicago, IL (US) 60613

* cited by examiner

(**) **Term:** **14 Years**

Primary Examiner—Gary D. Watson

(74) *Attorney, Agent, or Firm*—Knechtel, Demeur &
Samlan

(21) **Appl. No.:** **29/147,288**

(57) **CLAIM**

(22) **Filed:** **Aug. 27, 2001**

The ornamental design for an arm chair, as shown and
described.

(51) **LOC (7) Cl.** **06-01**

(52) **U.S. Cl.** **D6/379; D6/370; D6/380**

(58) **Field of Search** D6/334, 370, 374,
D6/379, 380, 500, 501, 502; 297/445.1,
446.1, 452.63

DESCRIPTION

FIG. 1 is a perspective view.

FIG. 2 is a top plan view.

FIG. 3 is a bottom view.

FIG. 4 is a rear view.

FIG. 5 is a left side elevational view with the right side
elevational view being a mirror image thereof; and,

FIG. 6 is a front elevational view.

(56) **References Cited**

U.S. PATENT DOCUMENTS

D104,769 S * 6/1937 Eppenstein D6/379

D149,798 S * 6/1948 Crawford D6/374

D181,261 S * 10/1957 Lubberts et al. D6/379

1 Claim, 2 Drawing Sheets

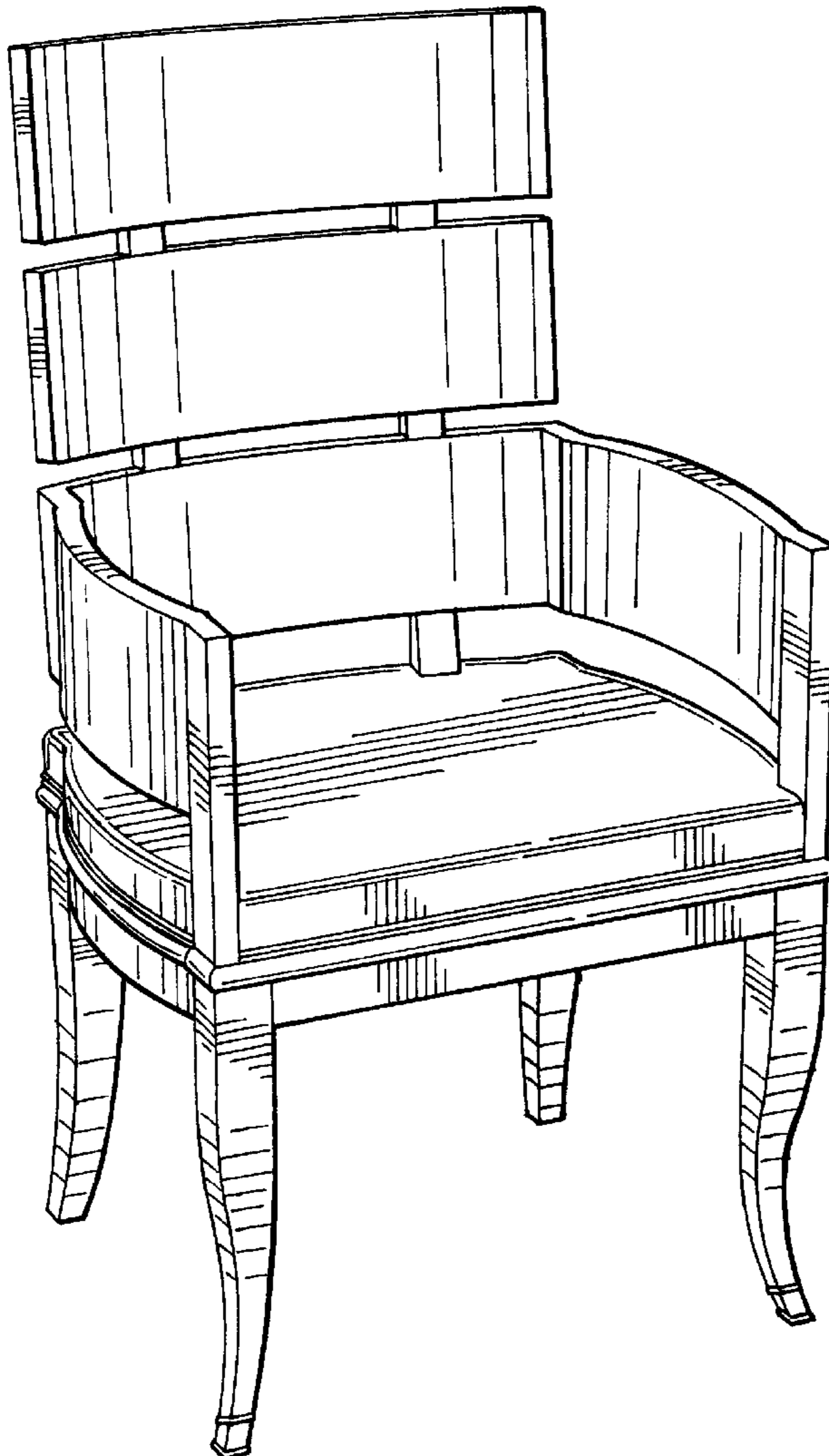


FIG.1

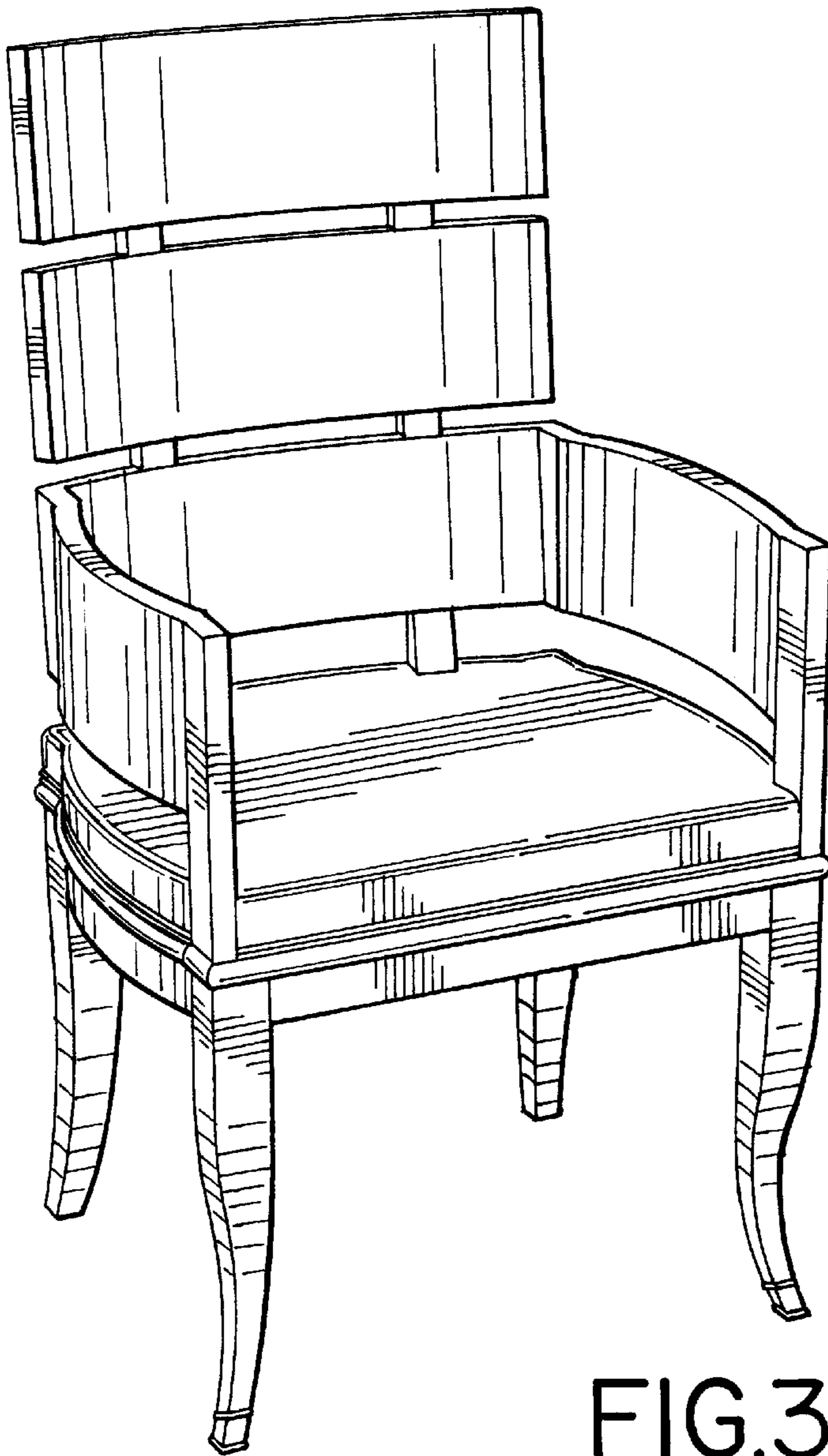


FIG.2

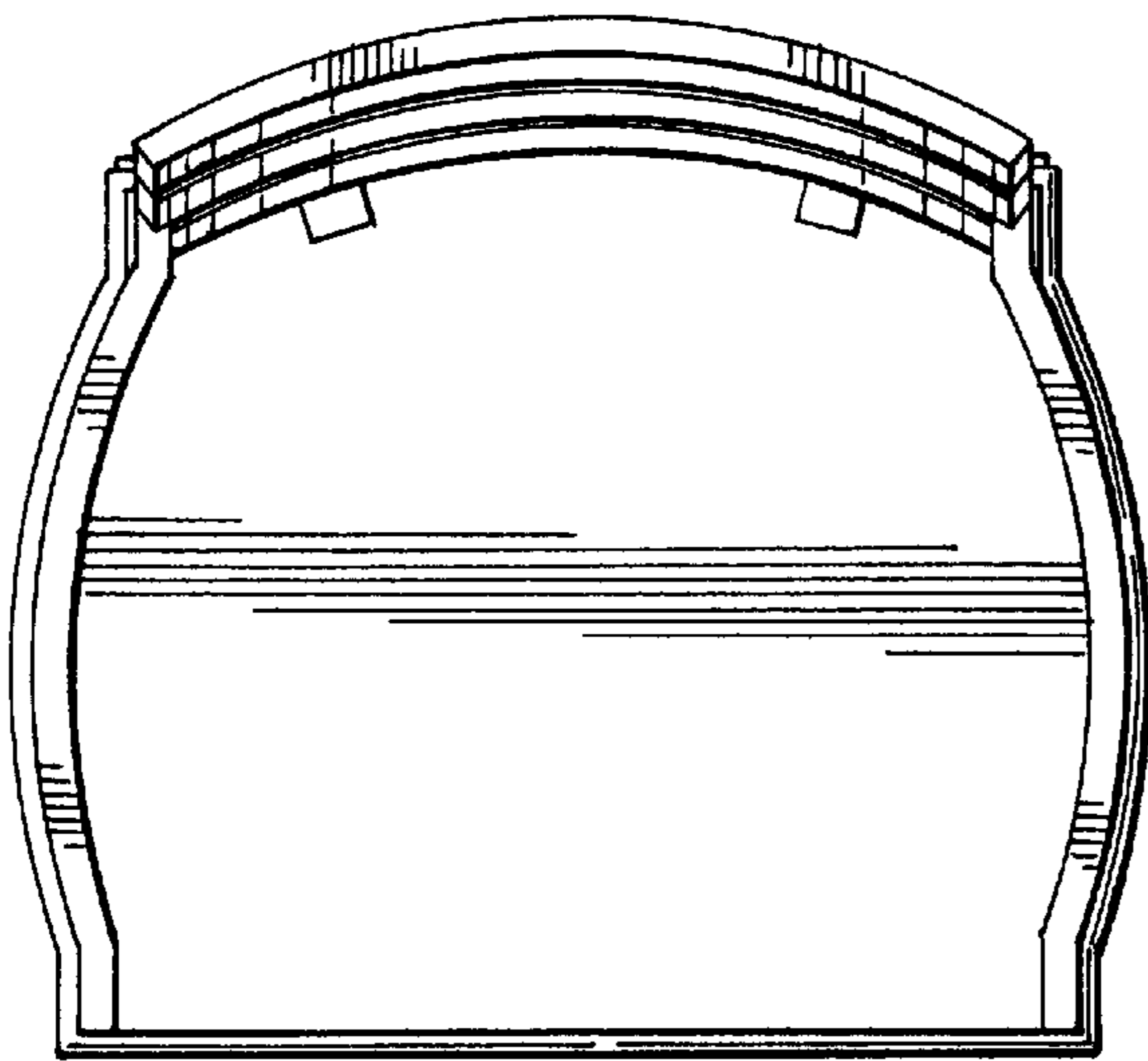


FIG.3

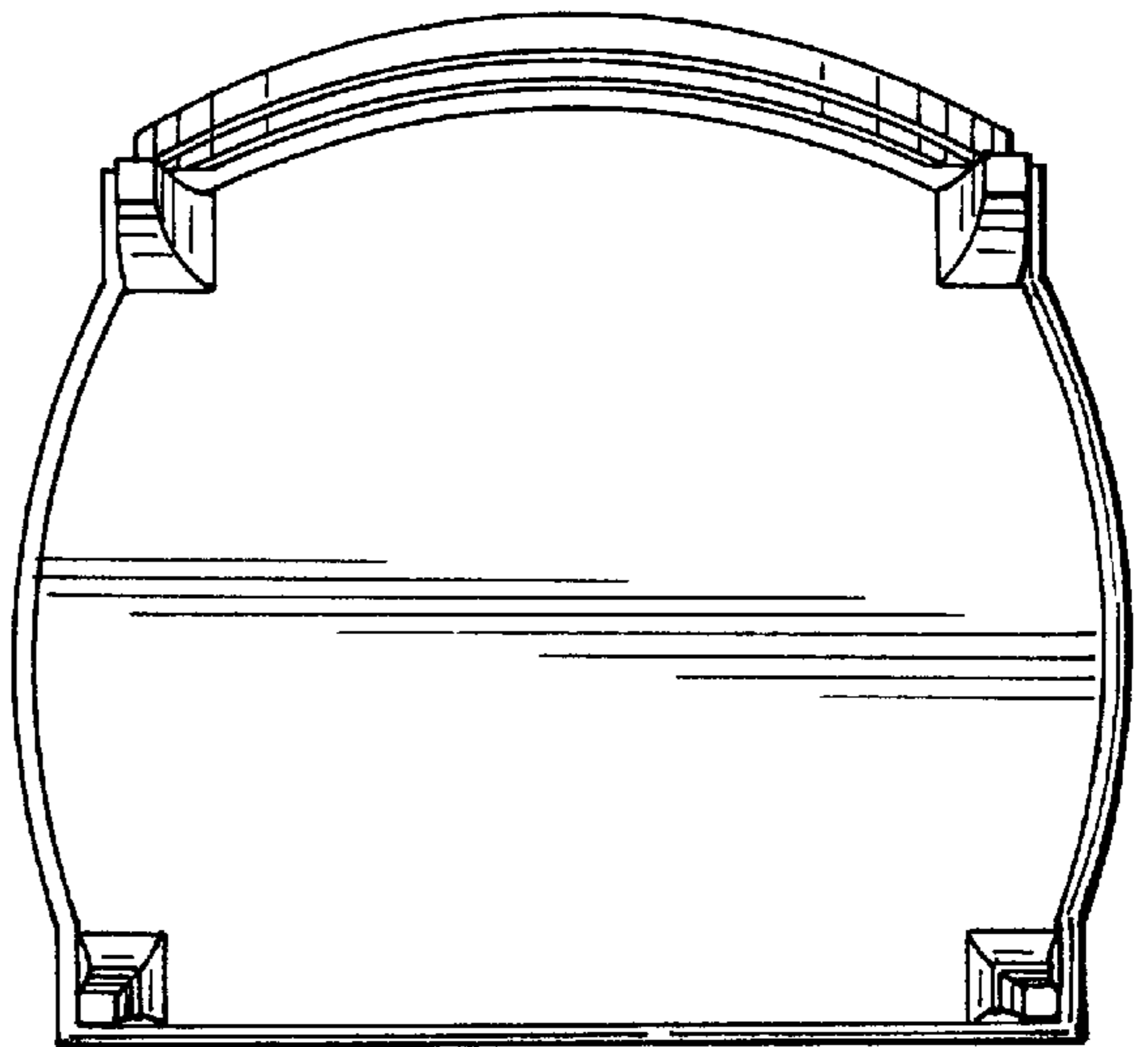


FIG.6

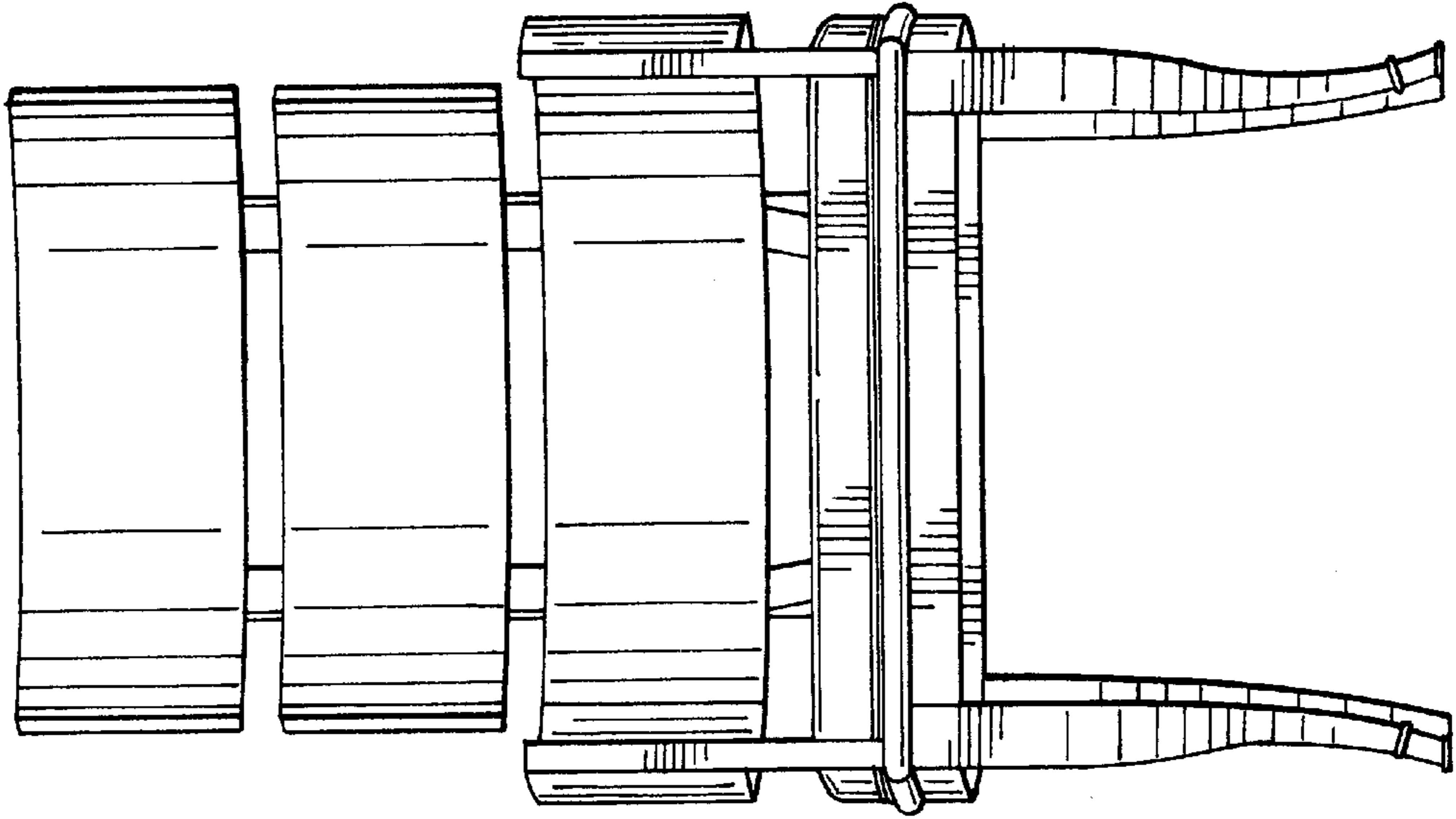


FIG.5

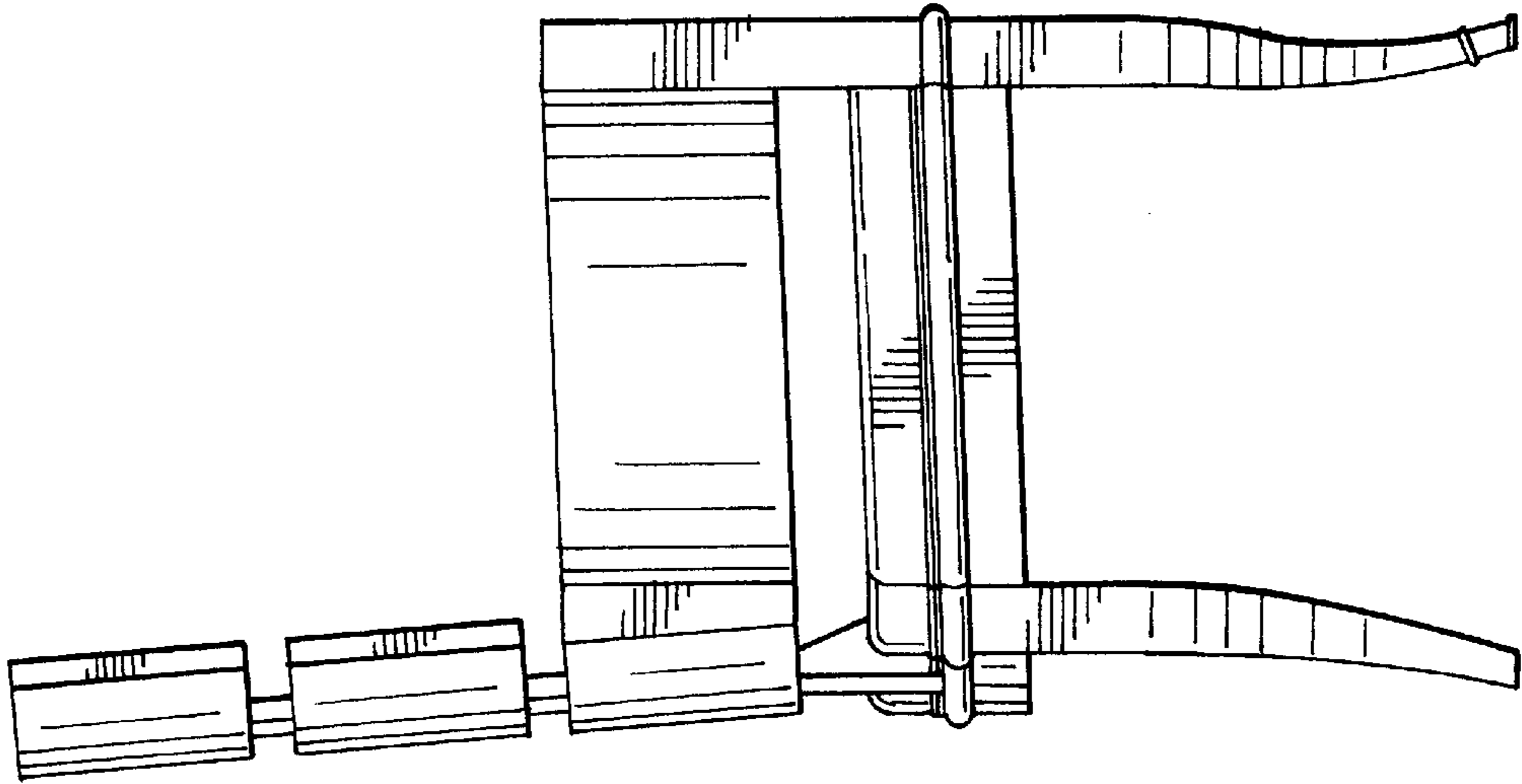


FIG.4

