



US00D462190S

(12) **United States Design Patent**
Garcia

(10) **Patent No.:** **US D462,190 S**

(45) **Date of Patent:** **** Sep. 3, 2002**

(54) **ARMCHAIR**

(75) Inventor: **Enrique Canto Garcia**, Novelda (ES)

(73) Assignee: **Eurokeyton, S.A.**, Alicante (ES)

(**) Term: **14 Years**

(21) Appl. No.: **29/153,811**

(22) Filed: **Jan. 11, 2002**

(30) **Foreign Application Priority Data**

Jul. 23, 2001 (ES) 151894

(51) **LOC (7) Cl.** **06-01**

(52) **U.S. Cl.** **D6/367**

(58) **Field of Search** D6/334, 335, 360,
D6/361, 367, 371, 373, 379, 500-502;
297/68, 83, 423.1, 423.19, 423.2

(56) **References Cited**

U.S. PATENT DOCUMENTS

D430,974 S * 9/2000 Yang D6/367

D433,243 S * 11/2000 Garcia D6/360

D447,348 S * 9/2001 Kobayashi et al. D6/335

* cited by examiner

Primary Examiner—Doris V. Coles

Assistant Examiner—Mimosa De

(57) **CLAIM**

The ornamental design for an armchair, as shown and described.

DESCRIPTION

FIG. 1 is a left front perspective view of an armchair showing my design;

FIG. 2 is a front elevational view thereof;

FIG. 3 is a rear elevational view thereof;

FIG. 4 is a left side elevational view thereof;

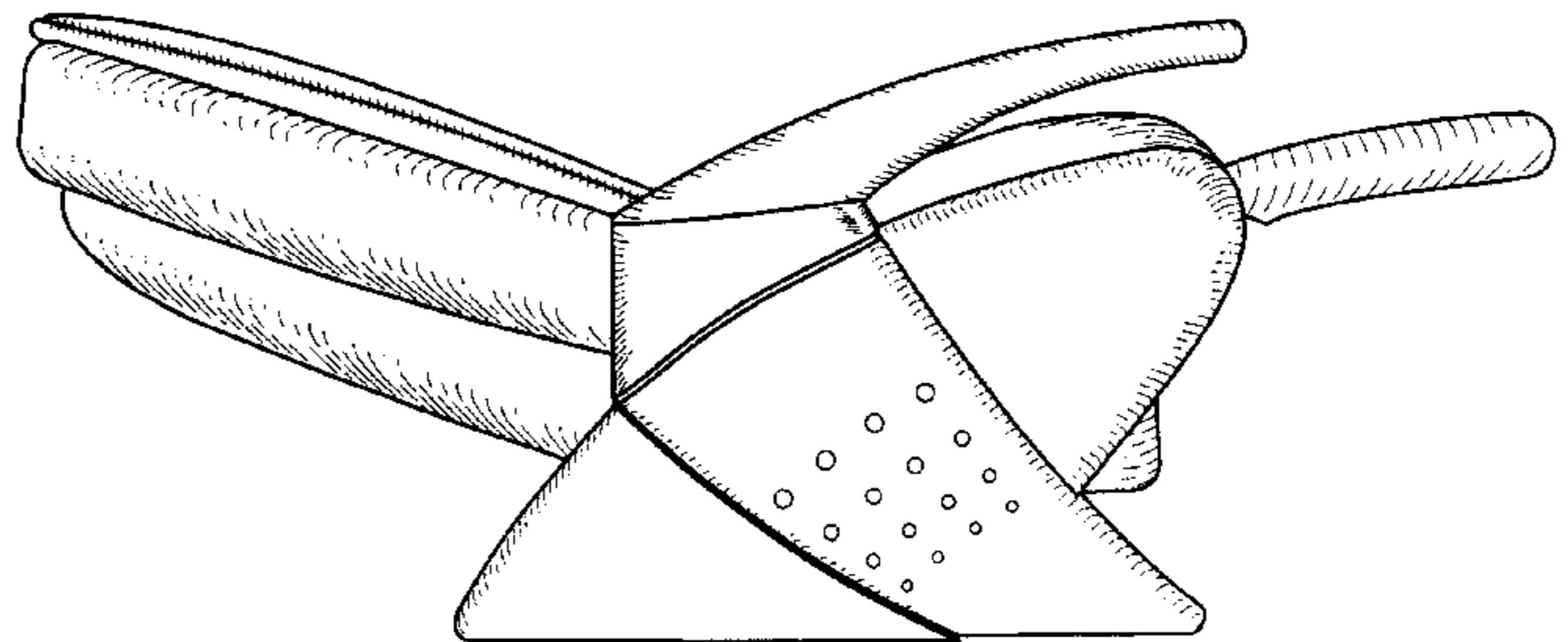
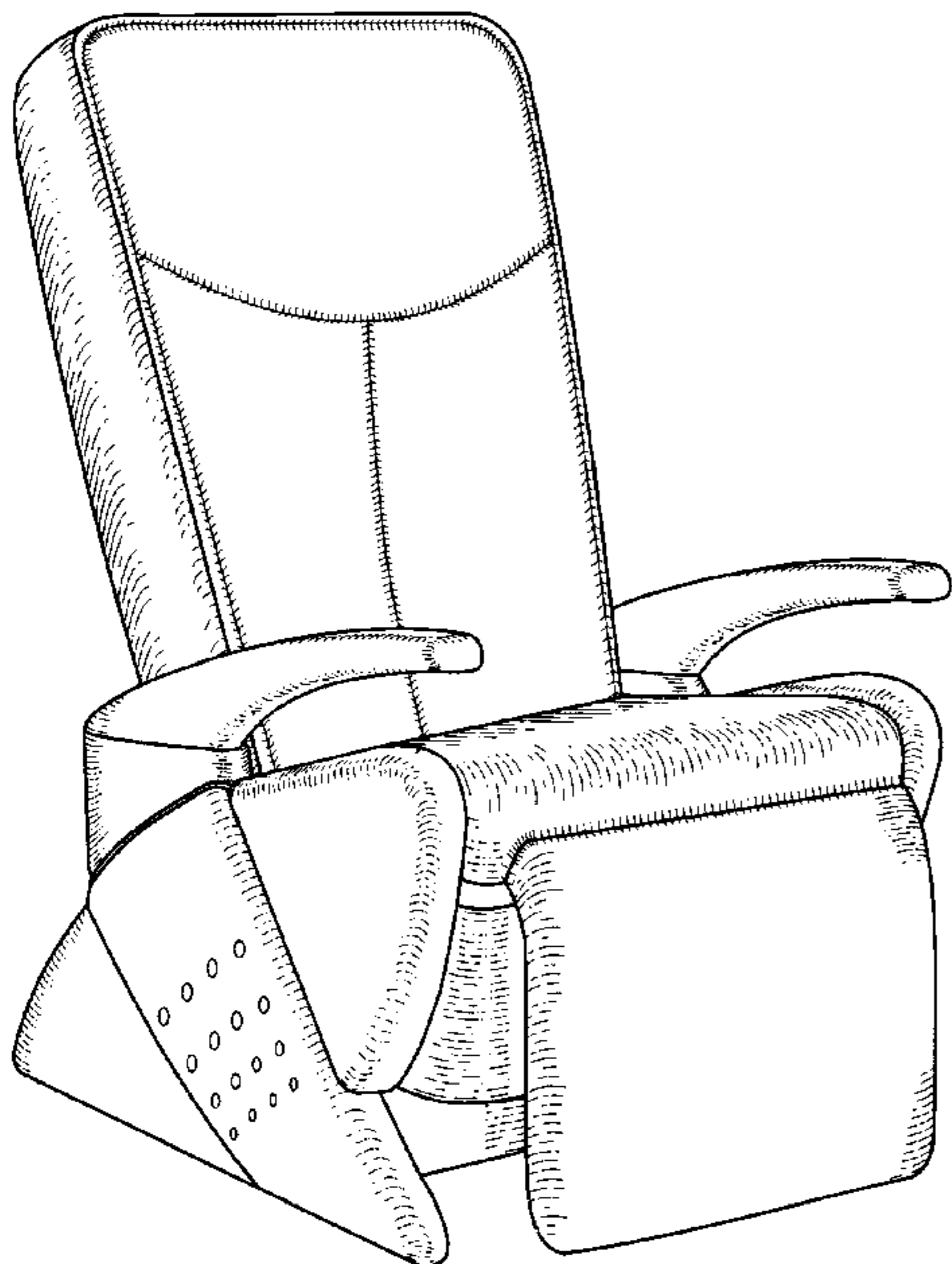
FIG. 5 is a right side elevational view thereof;

FIG. 6 is a left side elevational view thereof showing the armchair in a reclining position;

FIG. 7 is a right side elevational view thereof showing the armchair in a reclining position; and,

FIG. 8 is a top view thereof showing the armchair in a reclining position.

1 Claim, 5 Drawing Sheets



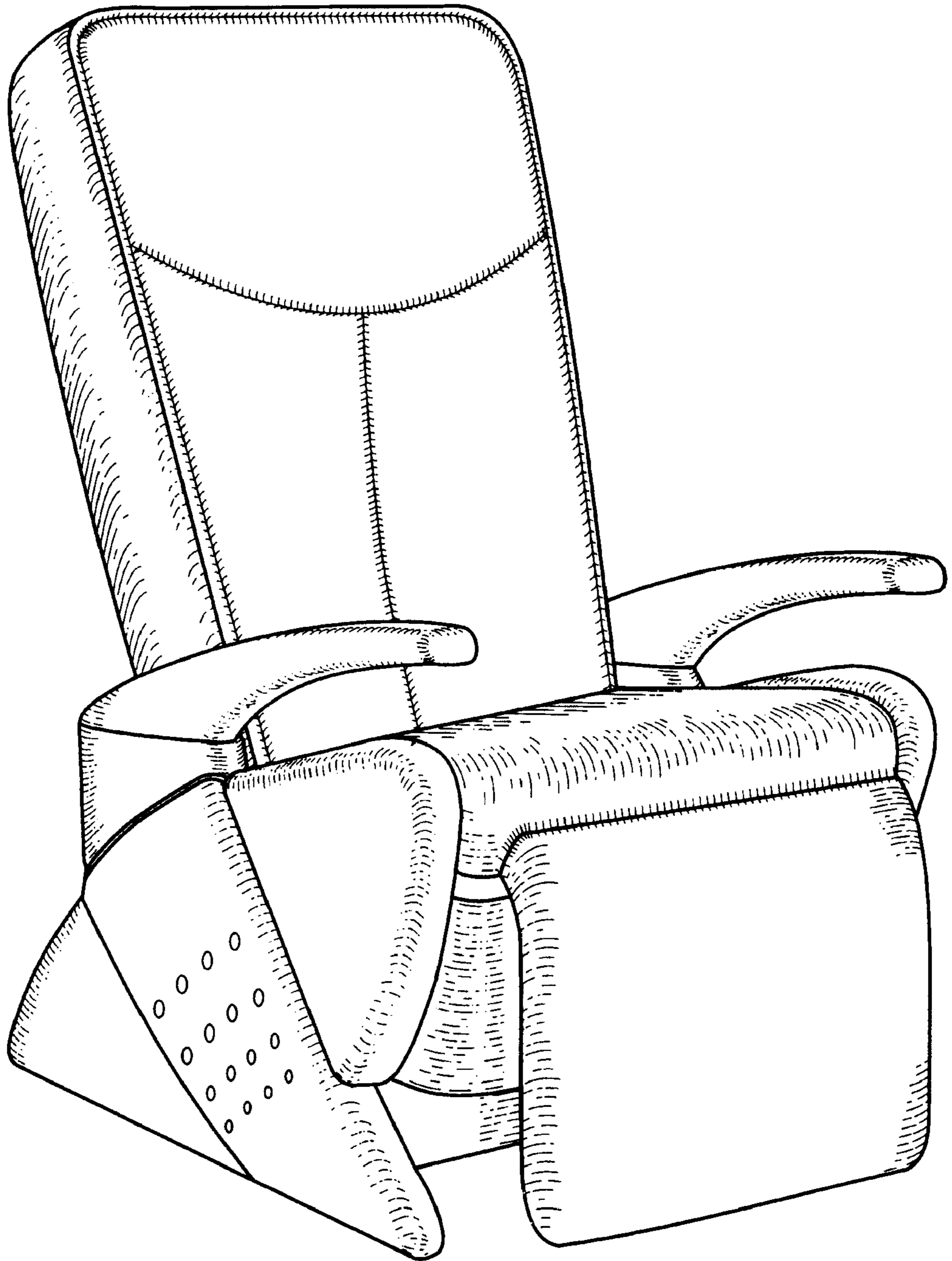


FIG. 1

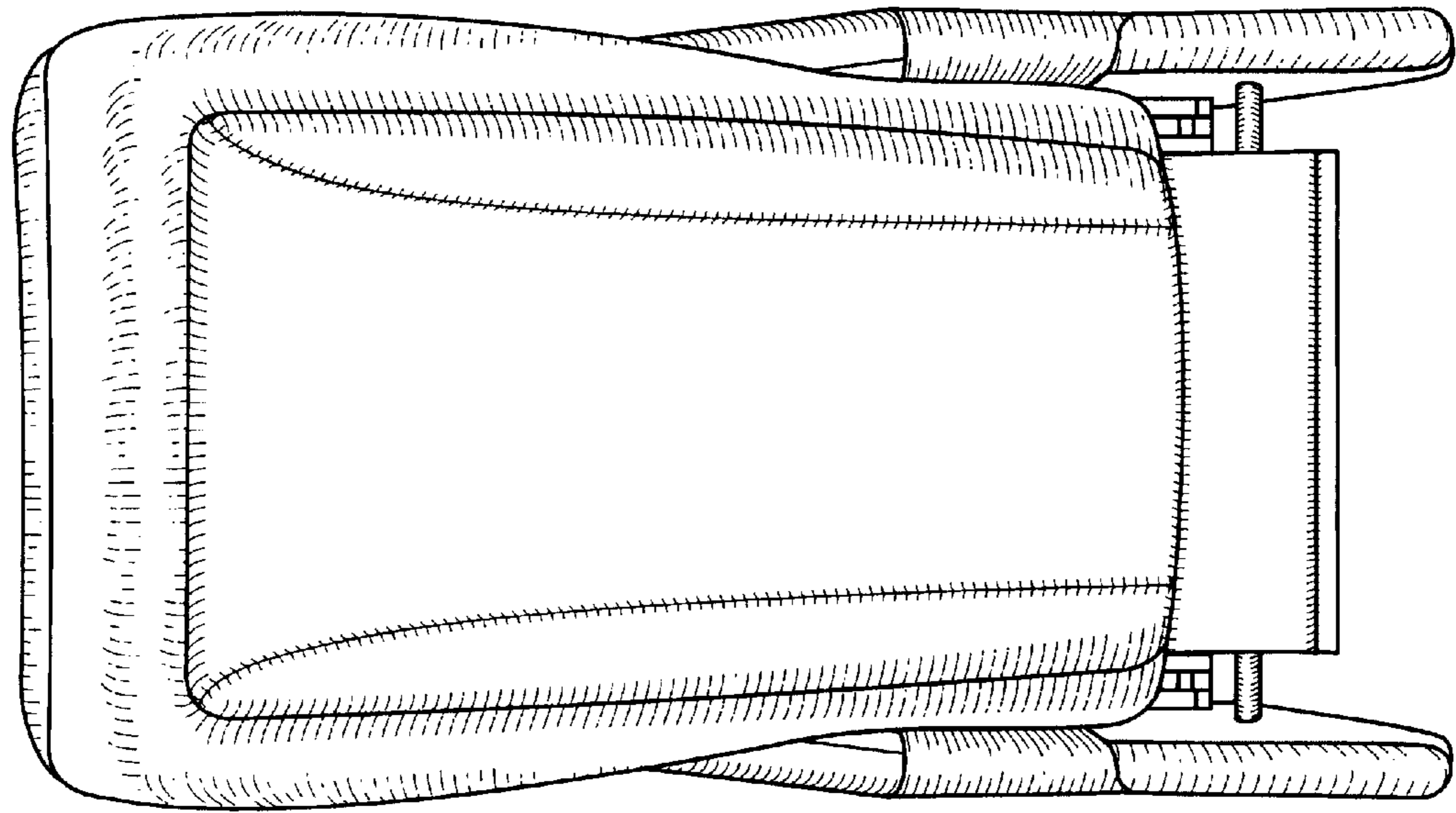


FIG. 3

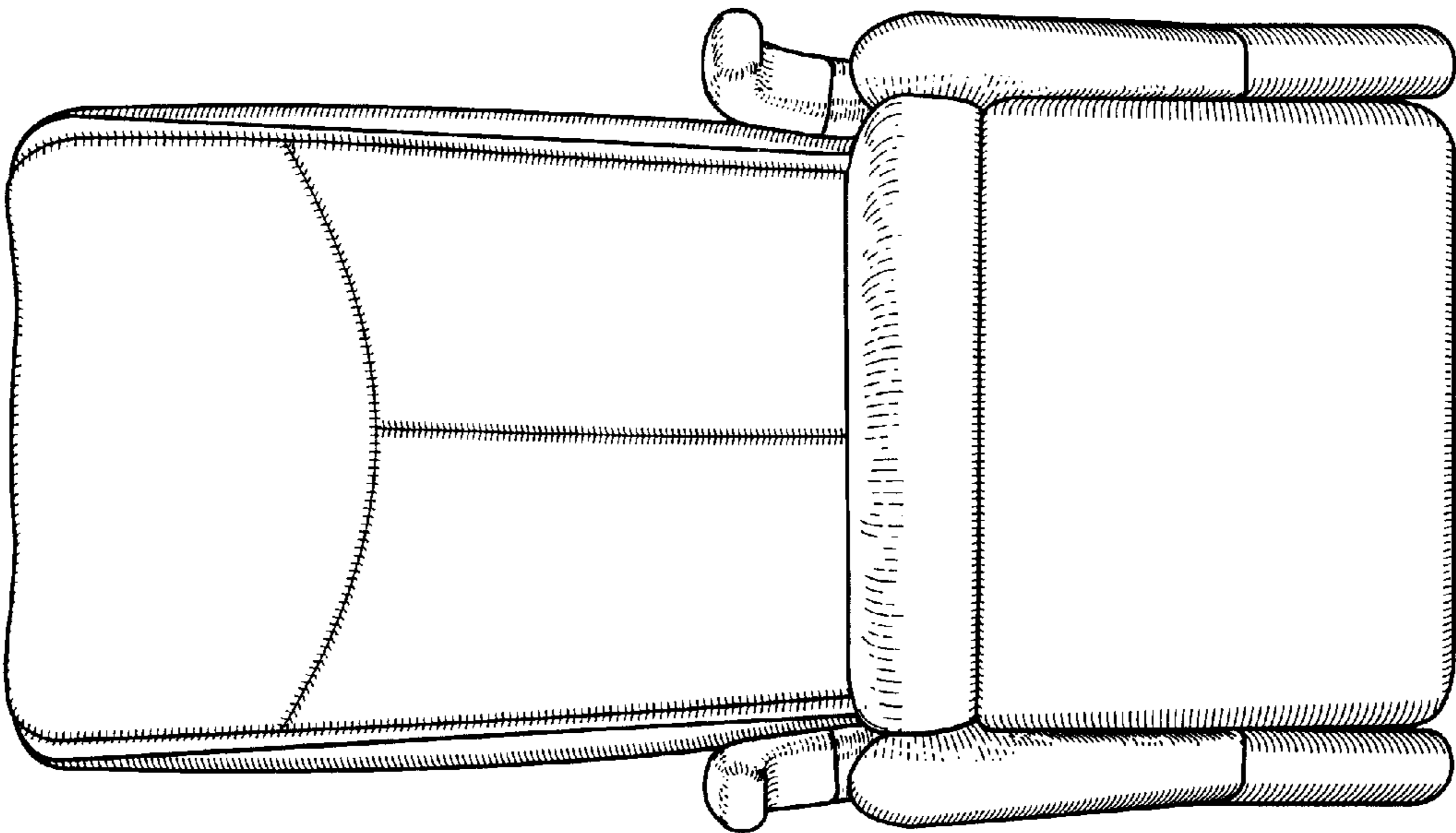


FIG. 2

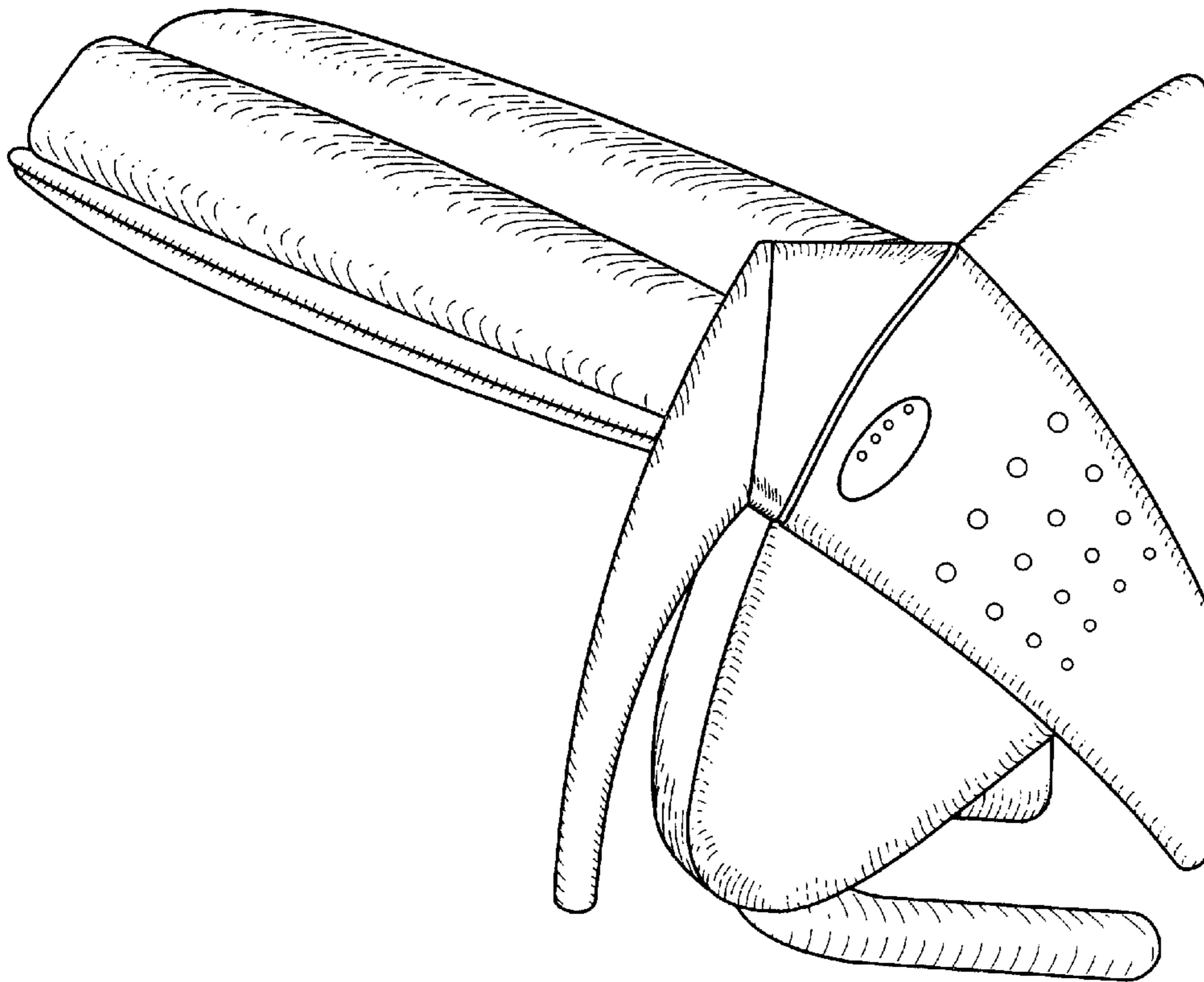


FIG. 5

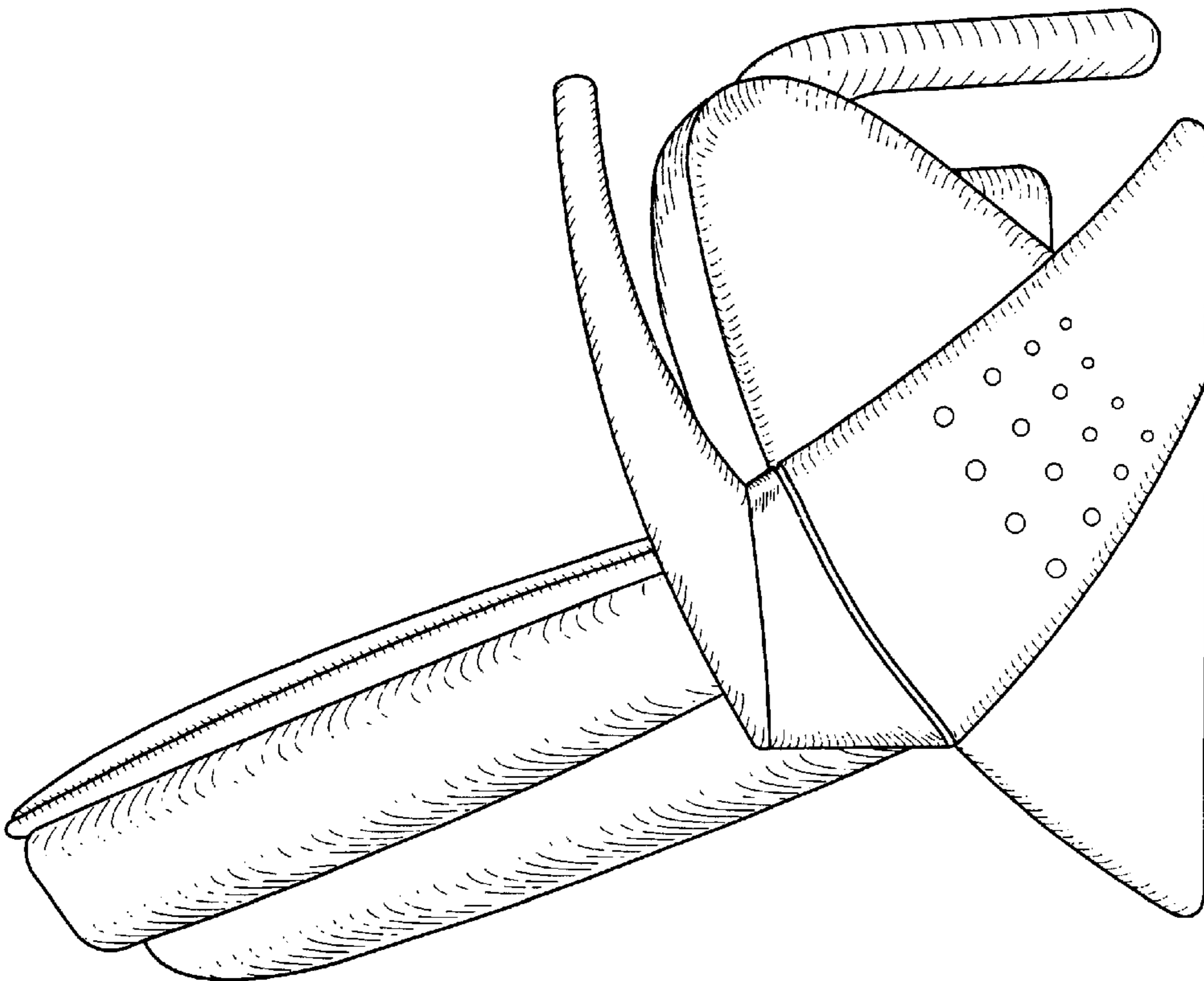


FIG. 4

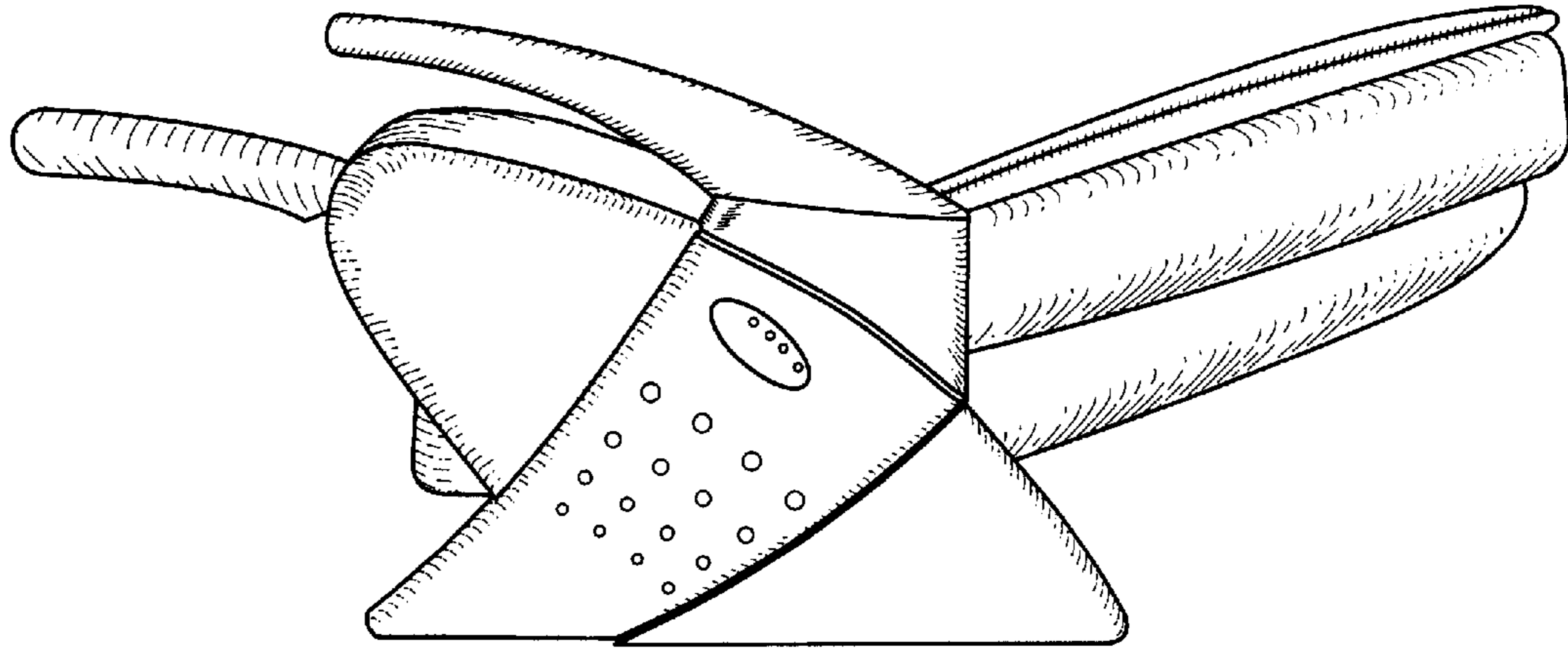


FIG. 6

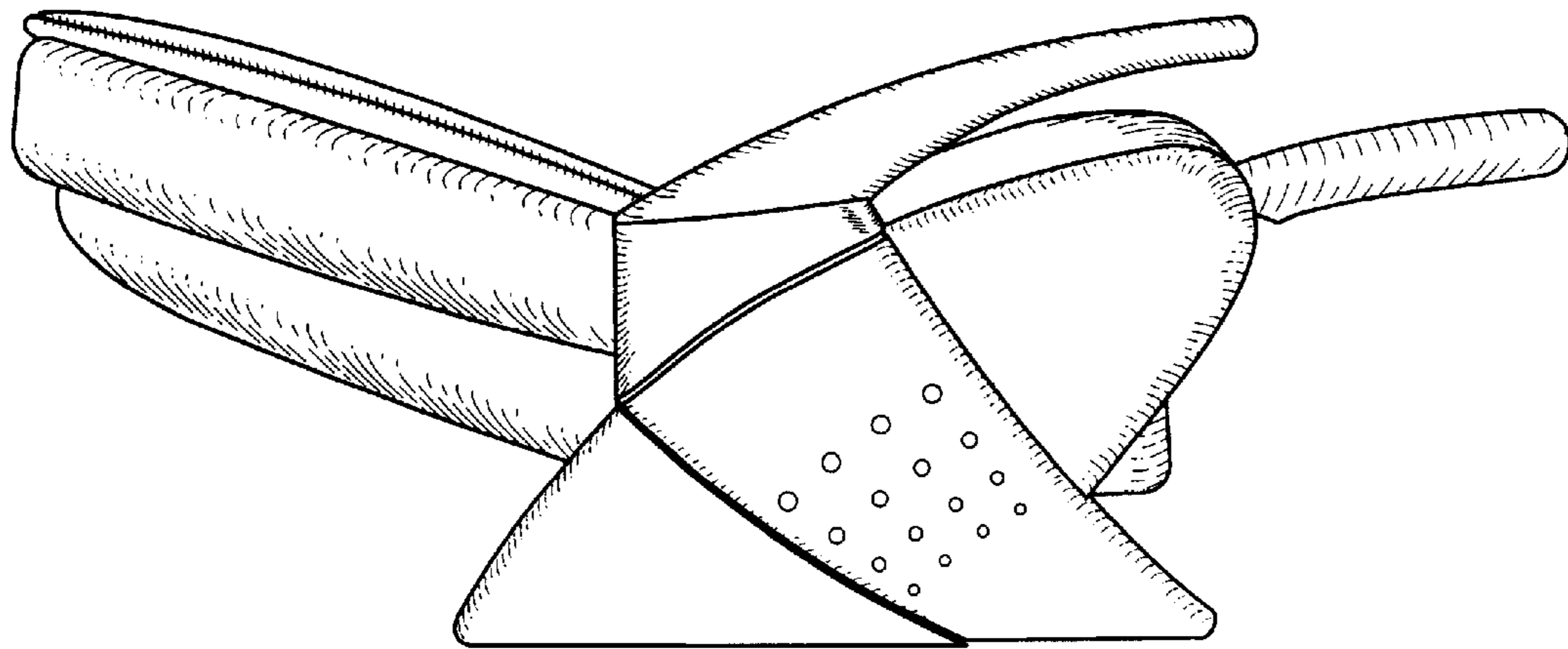


FIG. 7

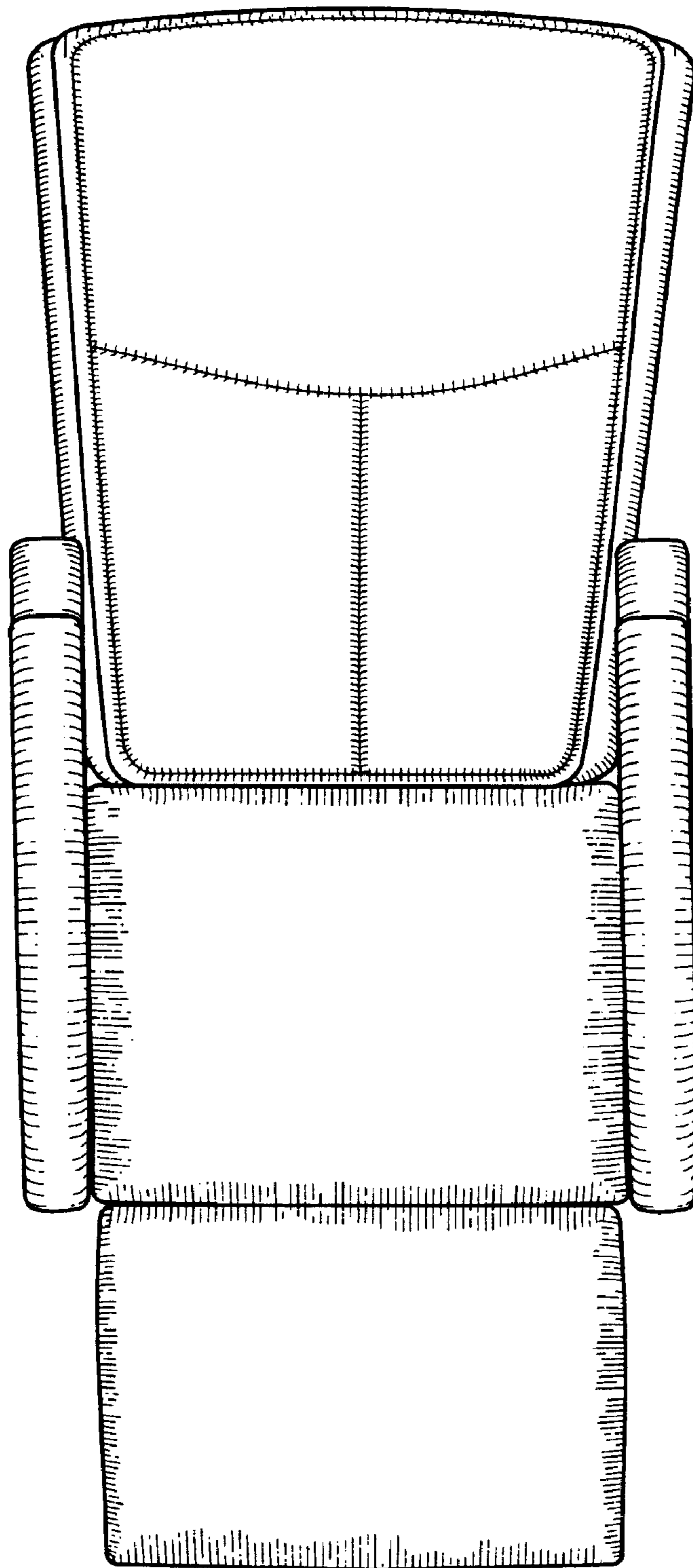


FIG. 8