



US00D462187S

(12) **United States Design Patent**  
**Koepke et al.**

(10) **Patent No.:** **US D462,187 S**

(45) **Date of Patent:** **\*\* Sep. 3, 2002**

(54) **CHAIR**

(75) Inventors: **Marcus C. Koepke**, Indianapolis, IN (US); **Jay R. Machael**, Muscatine, IA (US); **Craig H. Schultz**, Muscatine, IA (US); **Douglas A. Schroeder**, Muscatine, IA (US); **Erik A. Steffensen**, Iowa City, IA (US); **Brian R. Trego**, Muscatine, IA (US); **Tim Coffield**, Grand Rapids, MI (US); **Patrick Burgess**, Grand Rapids, MI (US); **George Mulka**, Grand Rapids, MI (US)

(73) Assignee: **HON Technology Inc.**, Muscatine, IA (US)

(\*\*) Term: **14 Years**

(21) Appl. No.: **29/143,580**

(22) Filed: **Jun. 15, 2001**

(51) **LOC (7) Cl.** ..... **06-01**

(52) **U.S. Cl.** ..... **D6/366**

(58) **Field of Search** ..... D6/334, 335, 364, D6/365, 366, 367, 500, 501, 502; 297/411.2, 411.27, 411.36, 452.18, 452.2

(56)

**References Cited**

**U.S. PATENT DOCUMENTS**

D346,279 S	*	4/1994	Stumpf et al.	.....	D6/366
D423,259 S	*	4/2000	Grove	.....	D6/500
D423,260 S	*	4/2000	Grove	.....	D6/500
D431,400 S	*	10/2000	Grove	.....	D6/500
D436,456 S	*	1/2001	Neil	.....	D6/366
D440,419 S	*	4/2001	Röder	.....	D6/366
D449,174 S	*	10/2001	Neil	.....	D6/366
D451,293 S	*	12/2001	Su	.....	D6/366
D453,079 S	*	1/2002	Ma	.....	D6/366

\* cited by examiner

*Primary Examiner*—Gary D. Watson

(74) *Attorney, Agent, or Firm*—Jones, Day, Reavis & Pogue

(57)

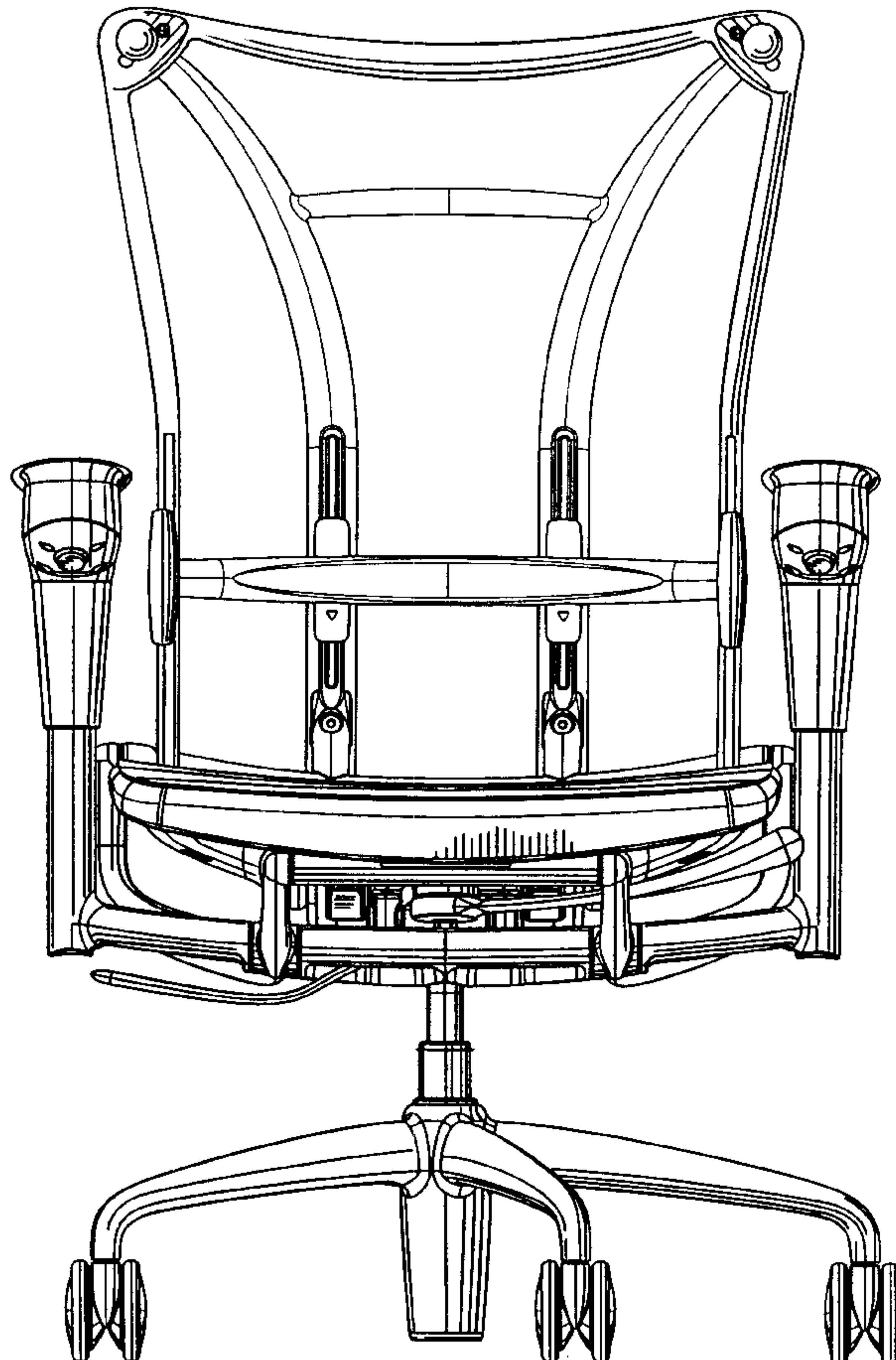
**CLAIM**

The ornamental design for a chair, as shown.

**DESCRIPTION**

FIG. 1 is a front view of a chair showing our new design; FIG. 2 is a rear view thereof; FIG. 3 is a left side view thereof; FIG. 4 is a right side view thereof; and, FIG. 5 is a top view thereof.

**1 Claim, 5 Drawing Sheets**



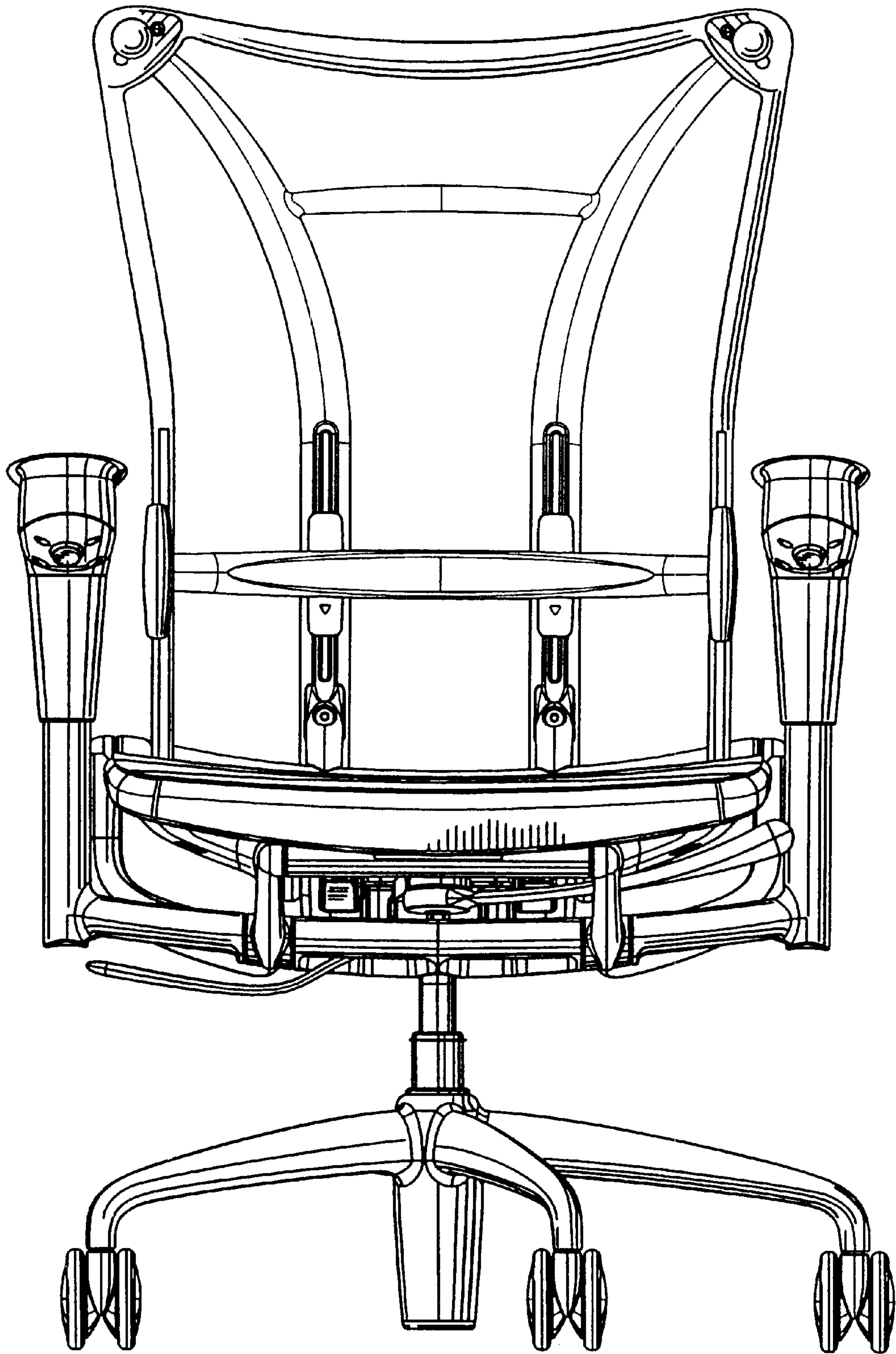


FIG. 1

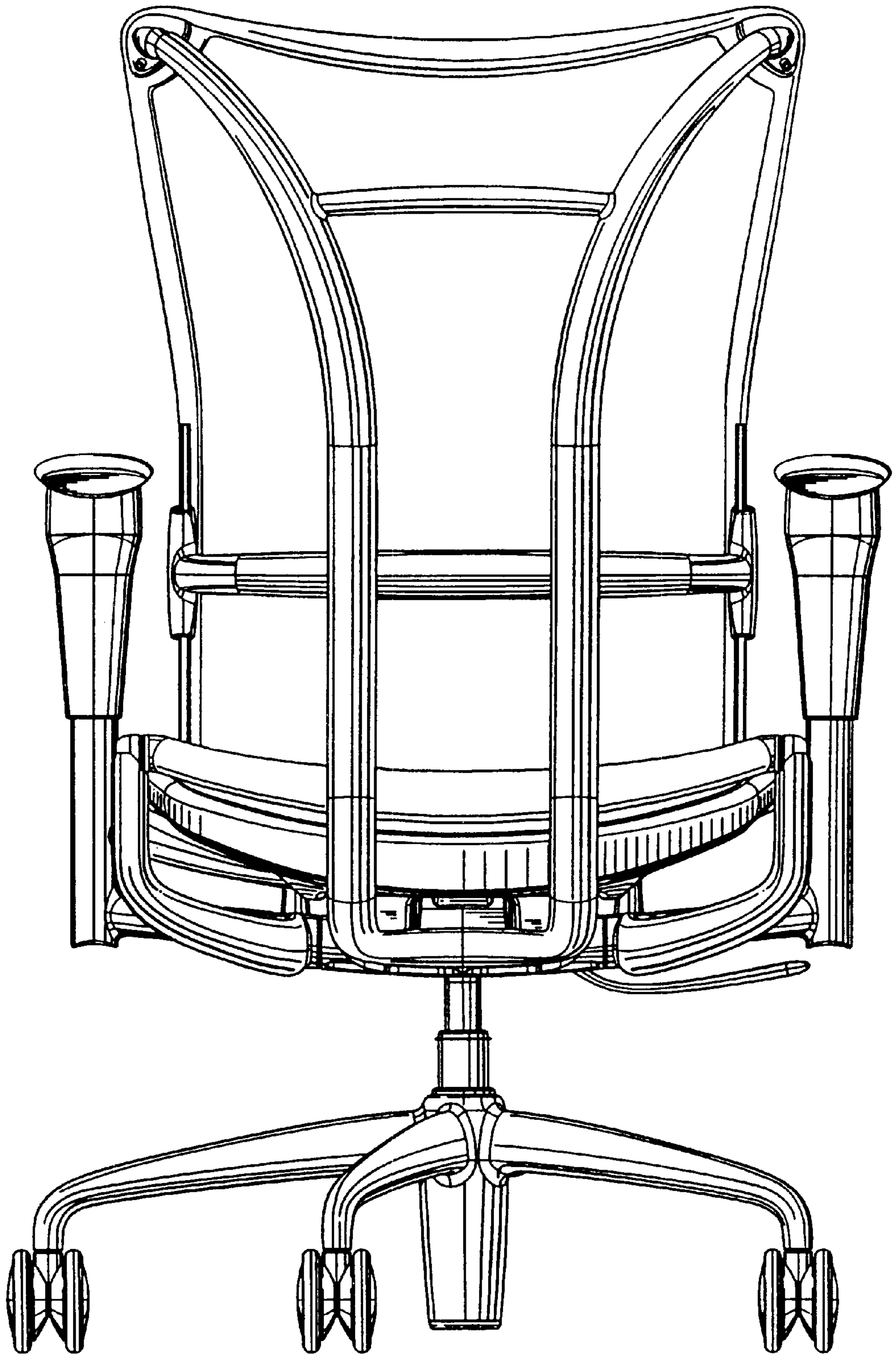


FIG. 2



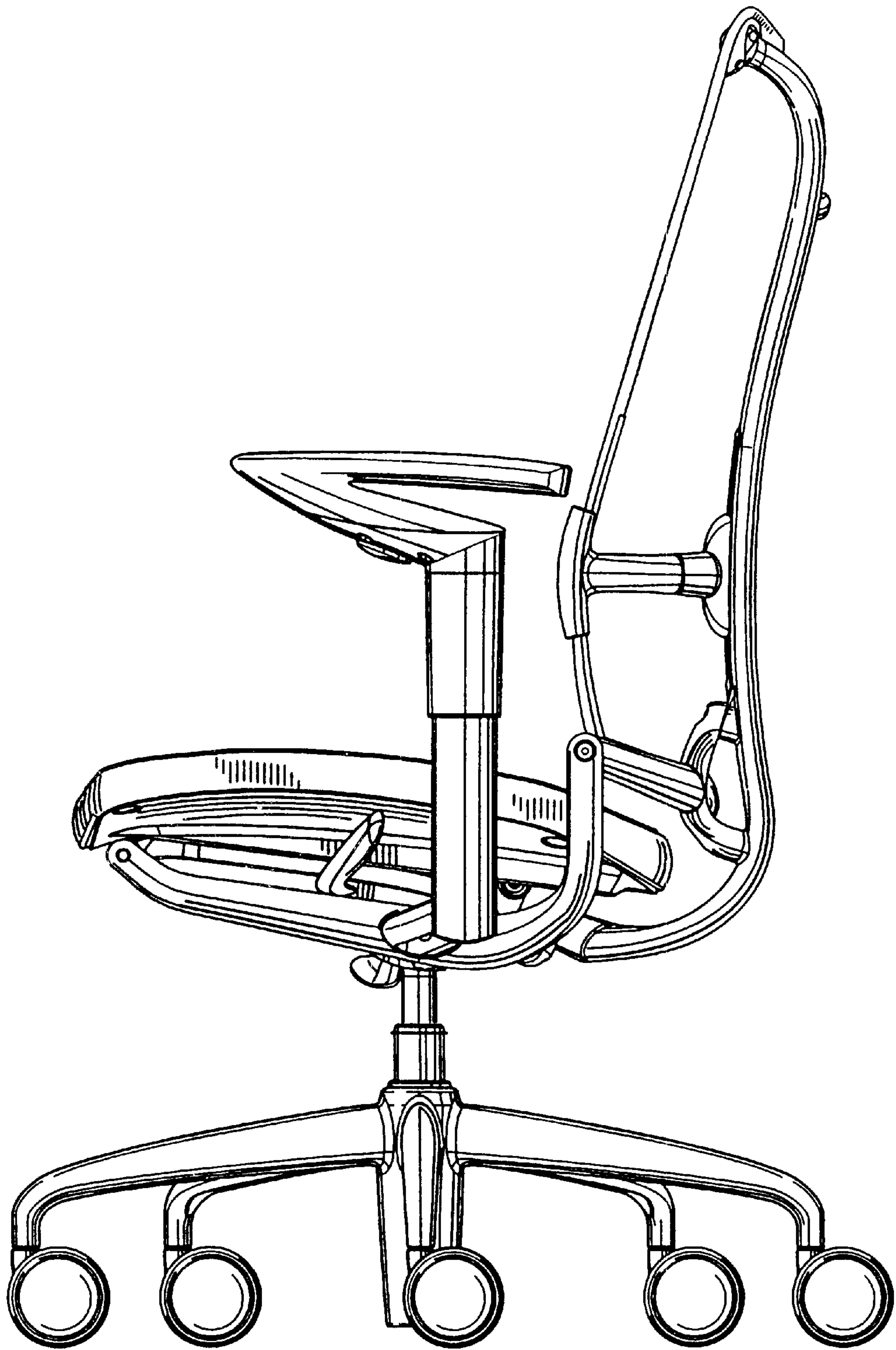


FIG. 3

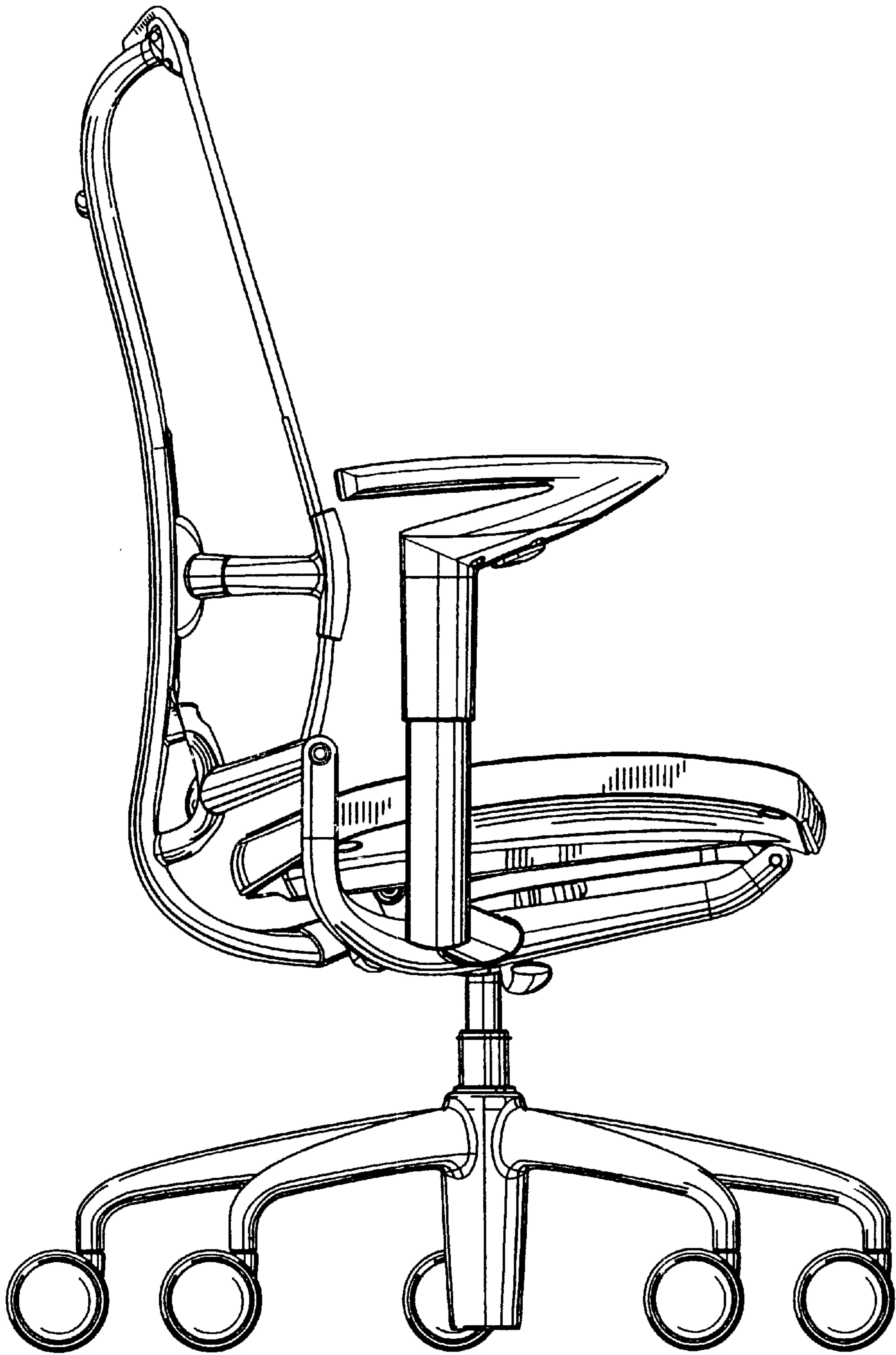


FIG. 4

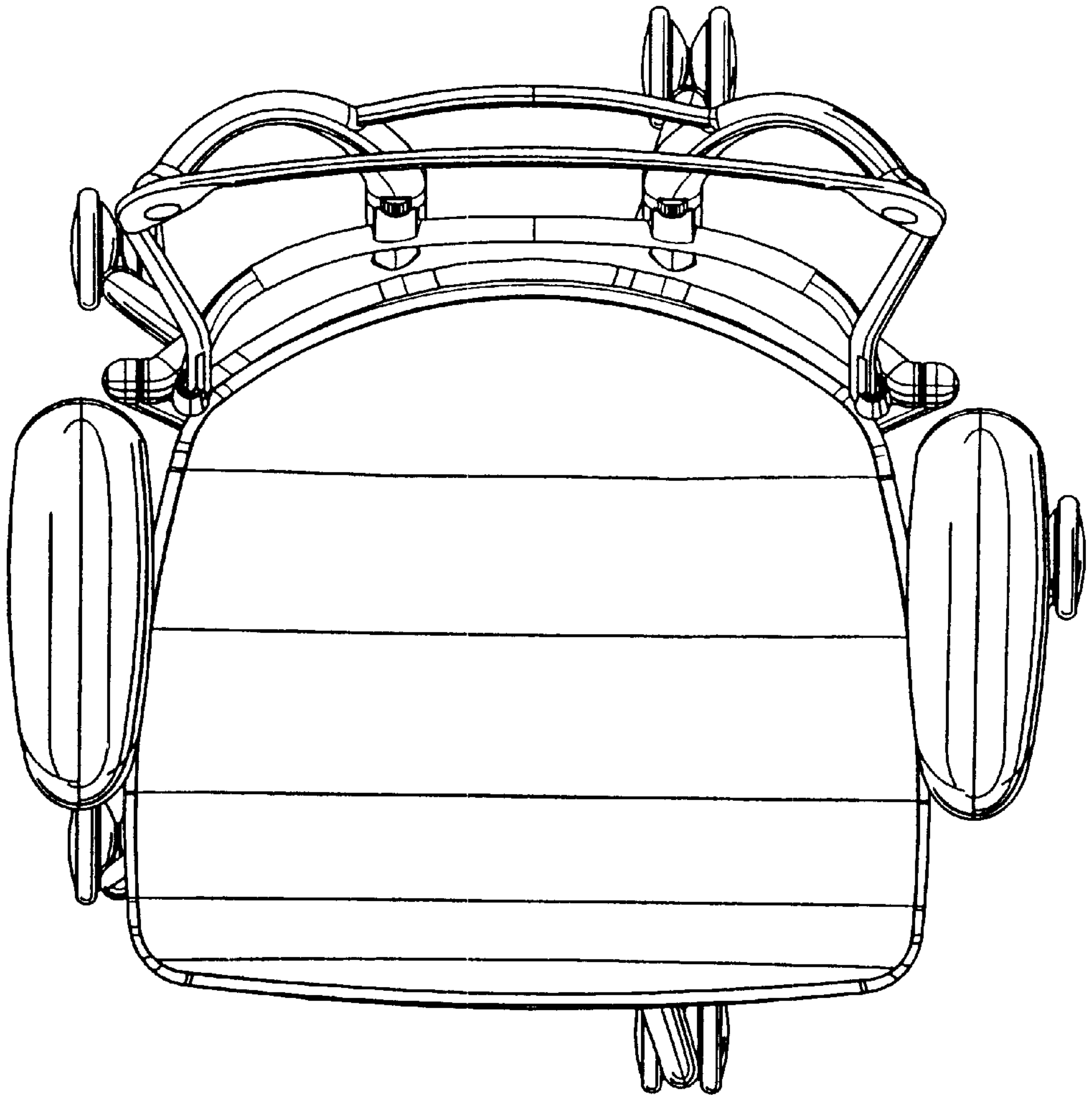


FIG. 5