



US00D462183S

(12) **United States Design Patent**
Canto Garcia

(10) **Patent No.:** **US D462,183 S**

(45) **Date of Patent:** **** Sep. 3, 2002**

(54) **MASSAGING ARMCHAIR**

(75) Inventor: **Enrique Canto Garcia**, San Juan (ES)

(73) Assignee: **Eurokeyton, S.A.**, Alicante (ES)

(**) Term: **14 Years**

(21) Appl. No.: **29/133,147**

(22) Filed: **Nov. 24, 2000**

(51) **LOC (7) Cl.** **06-01**

(52) **U.S. Cl.** **D6/335**

(58) **Field of Search** D6/334, 335, 360,
D6/367, 500-502; 297/68, 83, 423.1, 423.19,
423.2, 423.25, 423.39

(56) **References Cited**

U.S. PATENT DOCUMENTS

D152,200 S	*	12/1948	Luketa	D6/367
D161,762 S	*	1/1951	Kaufman	D6/336
D171,900 S	*	4/1954	Leather	D6/371
D182,804 S	*	5/1958	Glass	D6/360

* cited by examiner

Primary Examiner—Doris V. Coles

Assistant Examiner—Mimosa De

(74) *Attorney, Agent, or Firm*—Hamman & Benn

(57) **CLAIM**

The ornamental design for a massaging armchair, as shown and described.

DESCRIPTION

FIG. 1 is a top and left front perspective view of a massaging armchair showing my design;

FIG. 2 is a front elevational view thereof;

FIG. 3 is a rear elevational view thereof;

FIG. 4 is a top perspective view thereof;

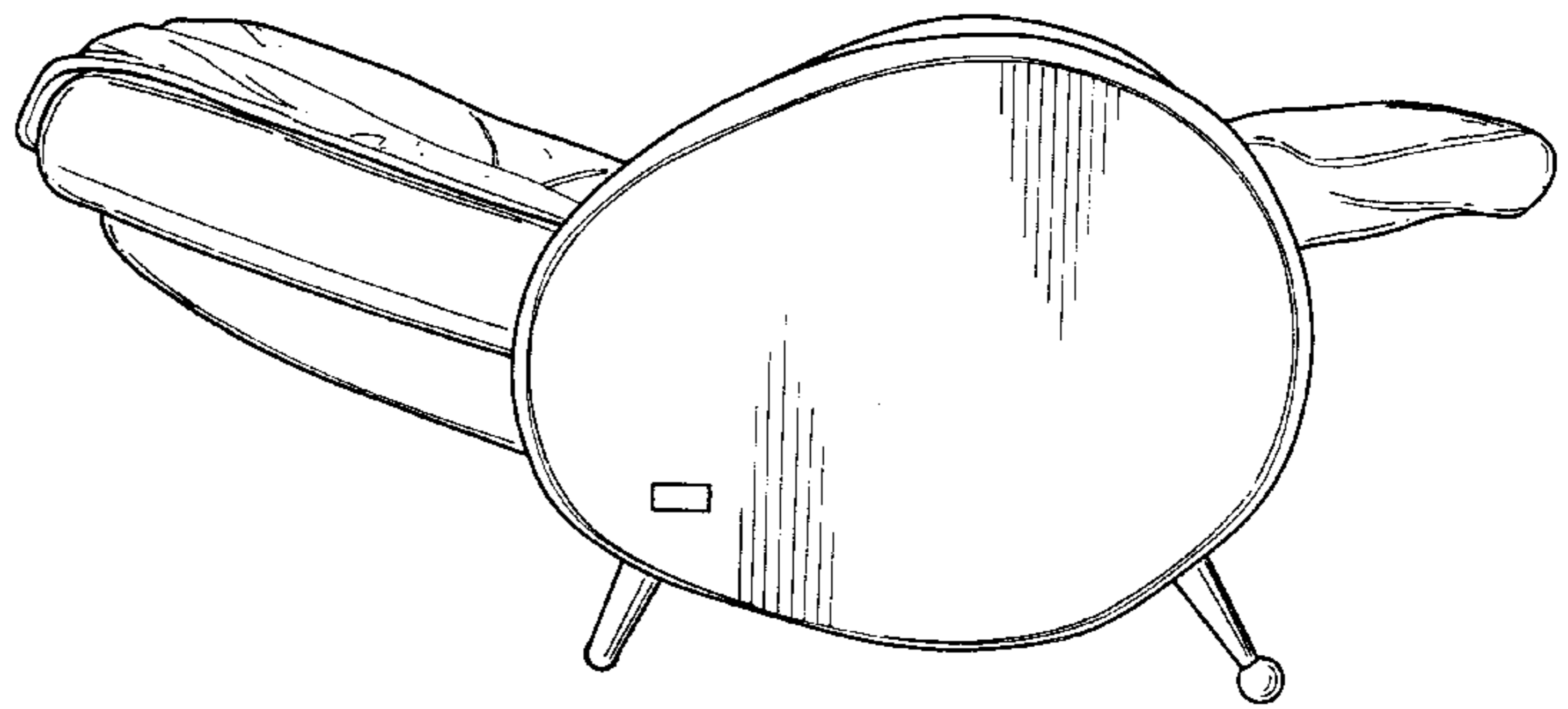
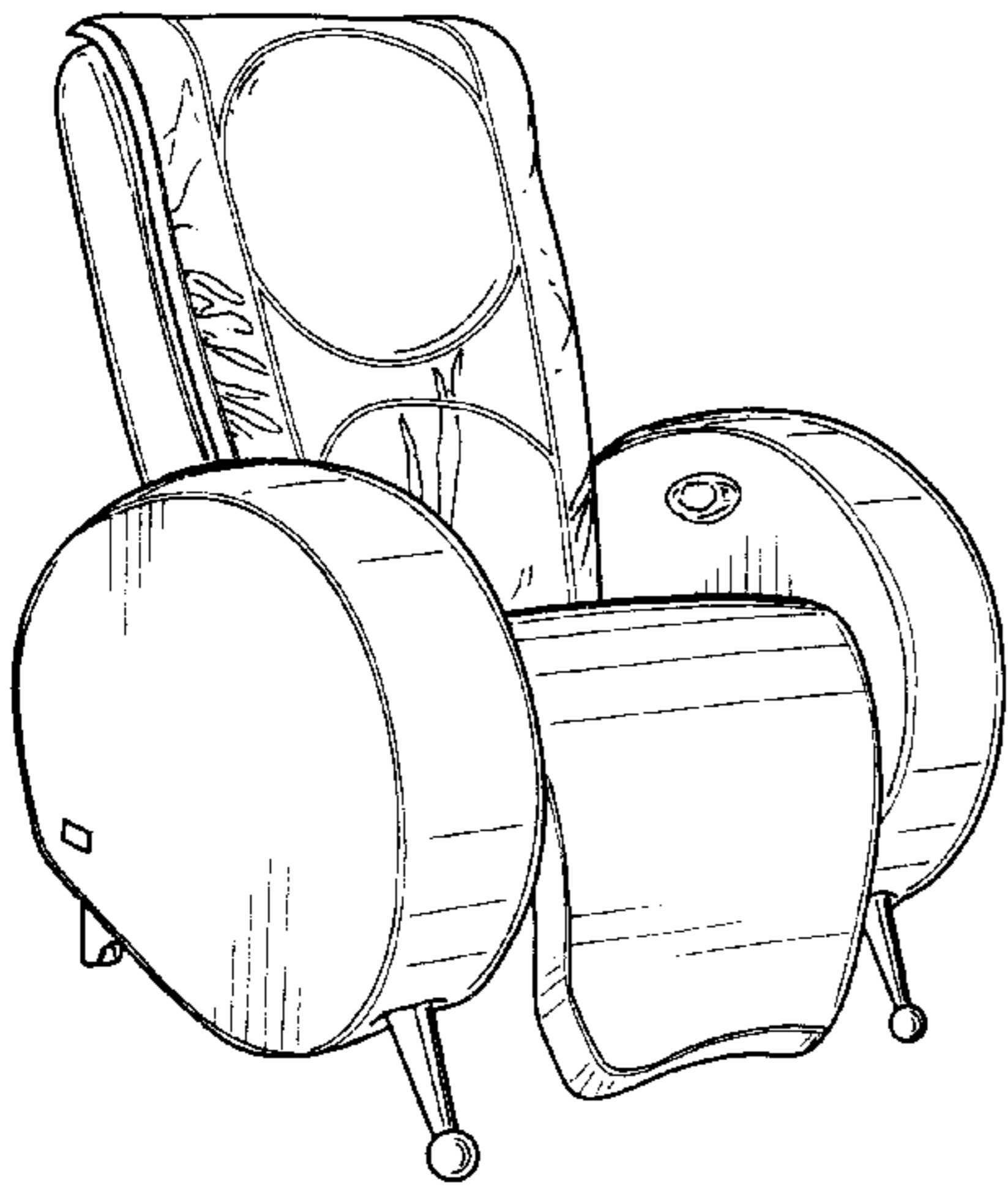
FIG. 5 is a left side elevational view thereof;

FIG. 6 is a right side elevational view thereof;

FIG. 7 is a left side elevational view thereof showing the armchair in a reclining position; and,

FIG. 8 is a right side elevational view thereof.

1 Claim, 8 Drawing Sheets



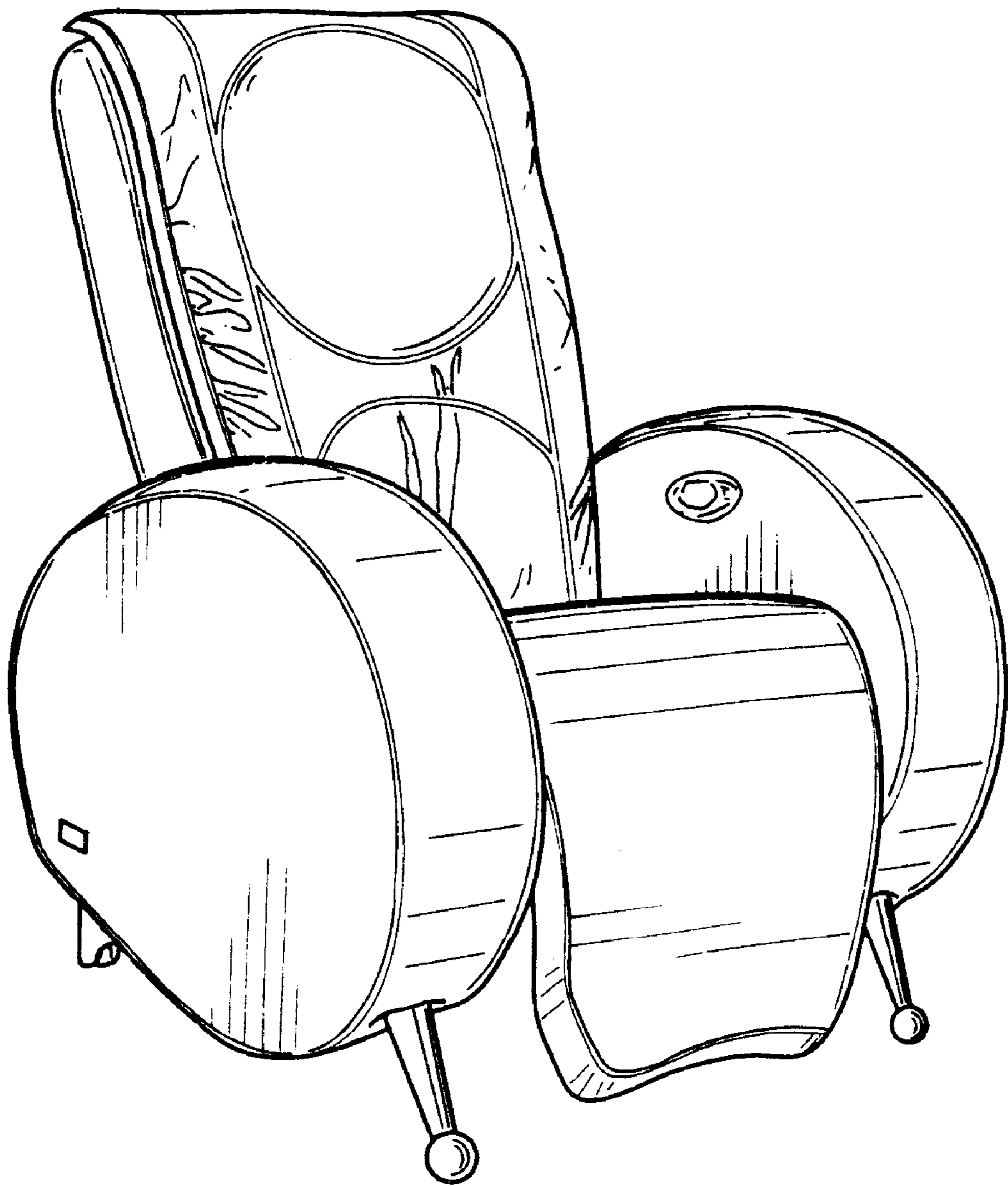


FIG. 1

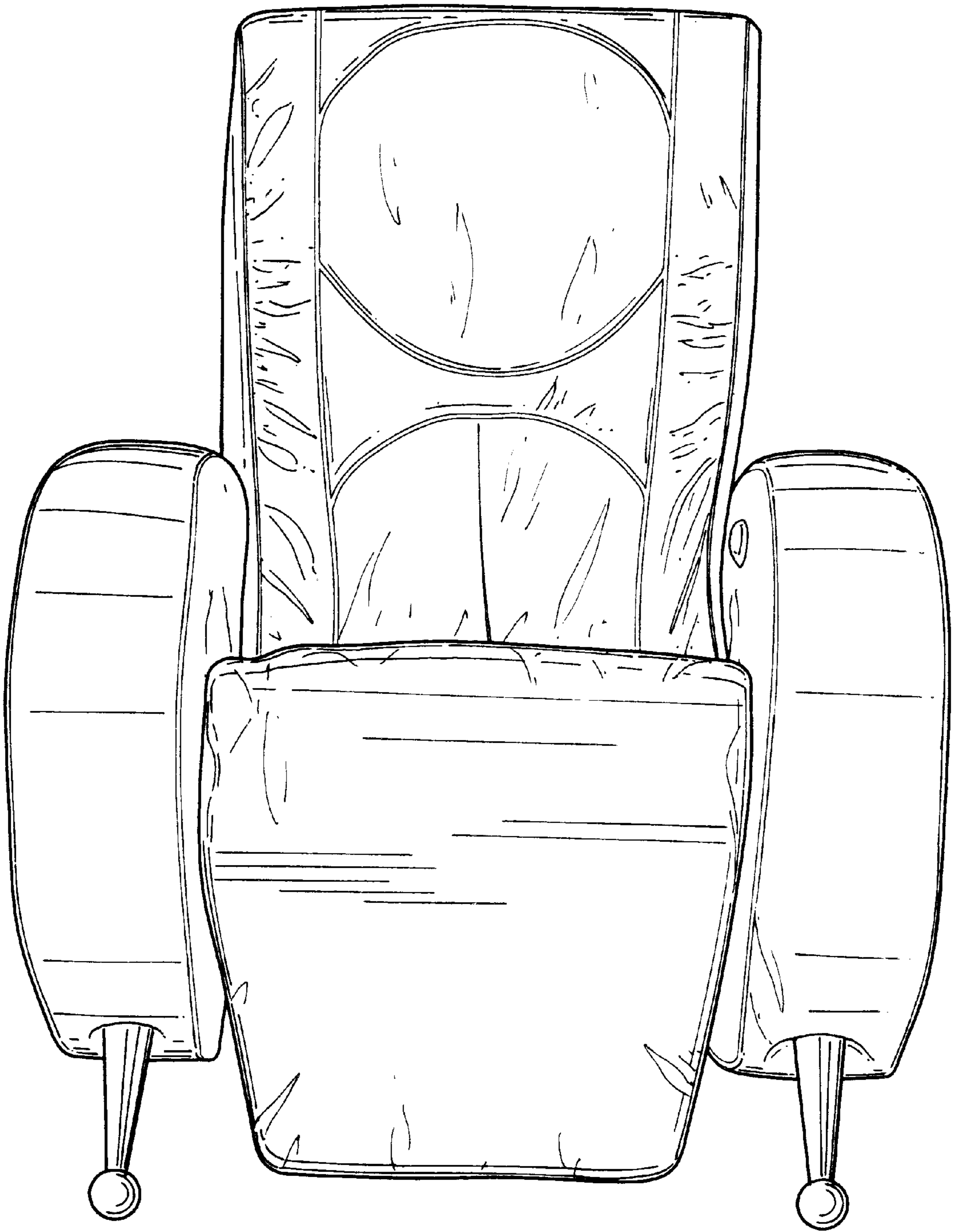


FIG. 2

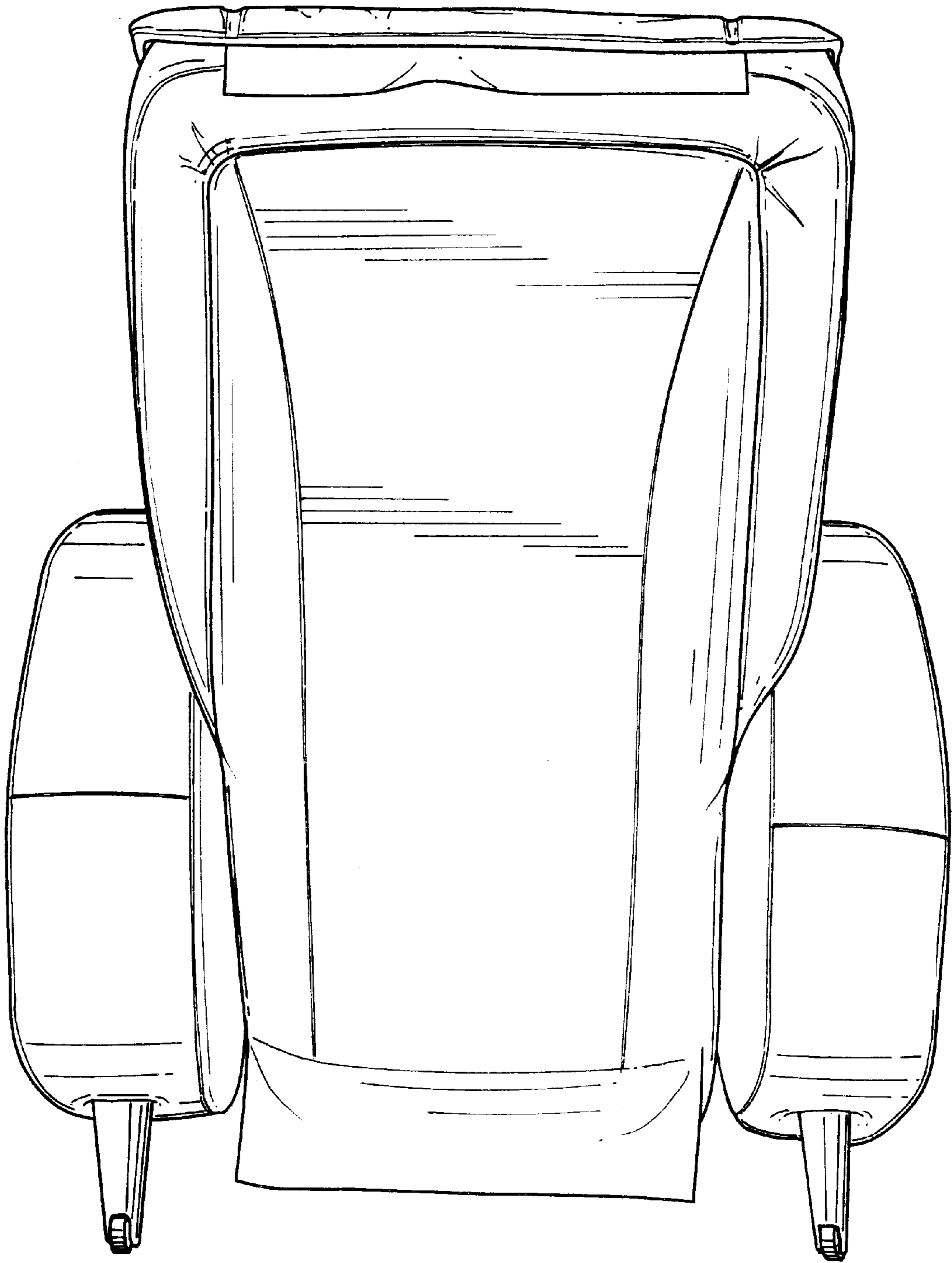


FIG. 3

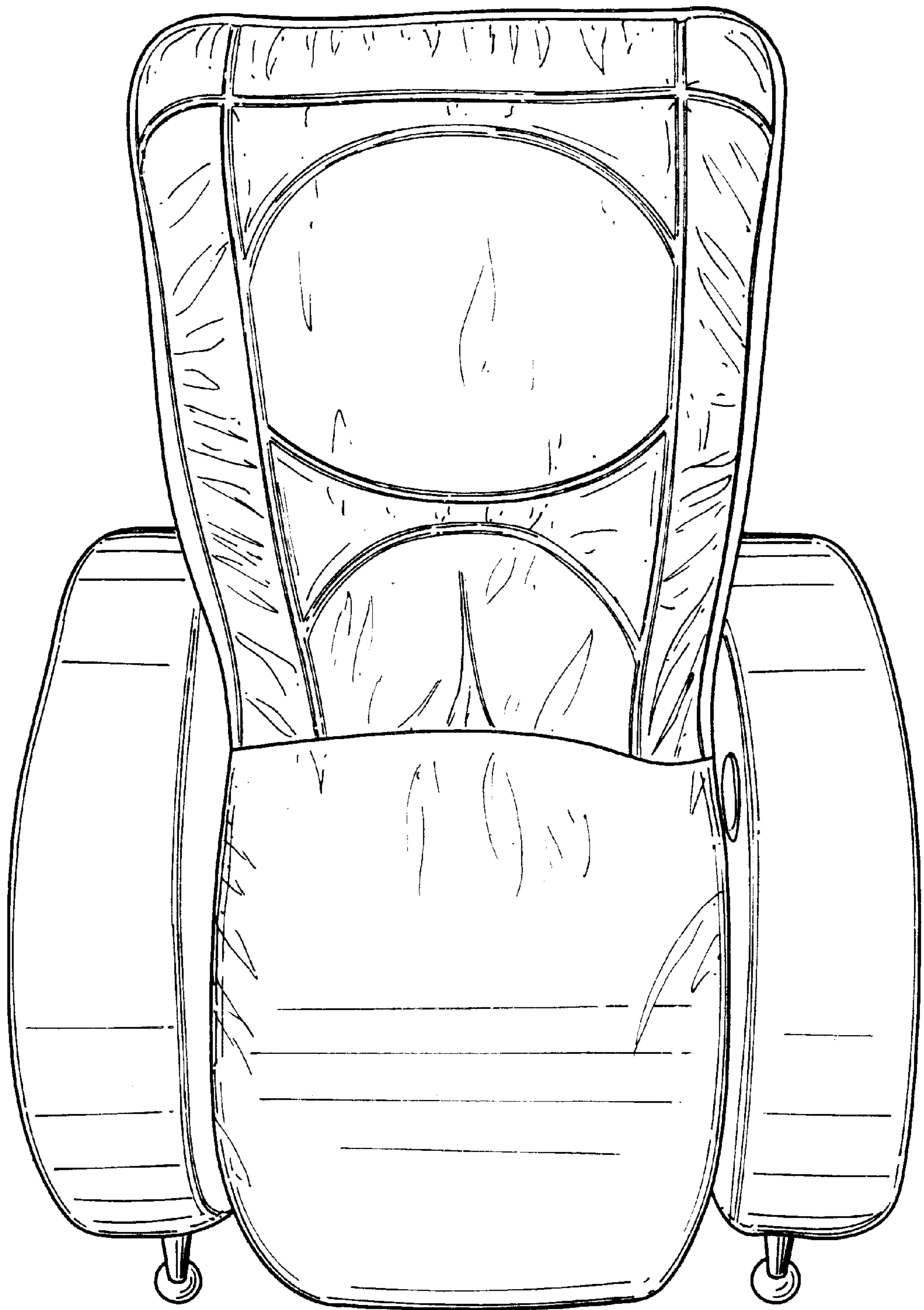


FIG. 4

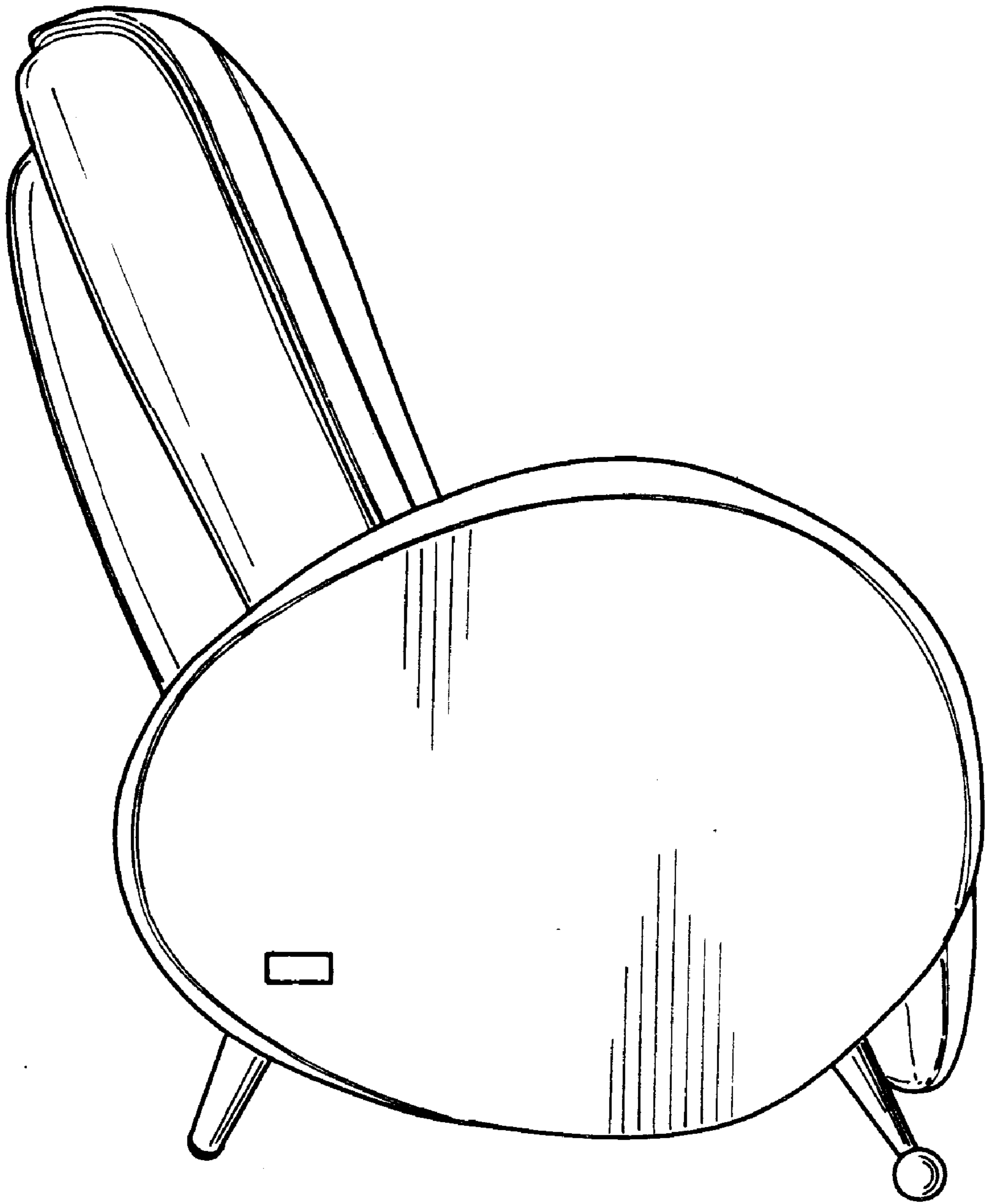


FIG. 5

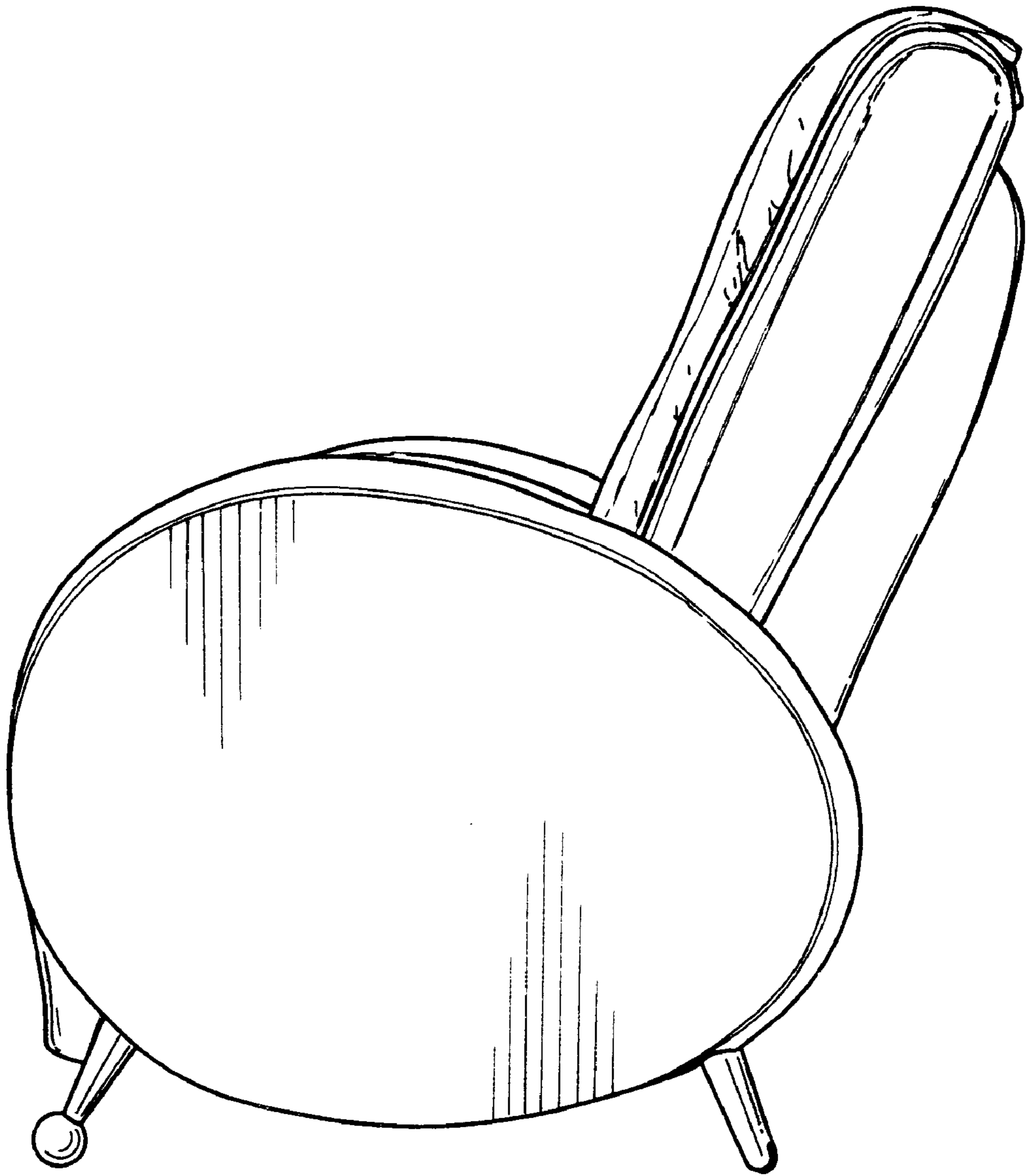


FIG. 6

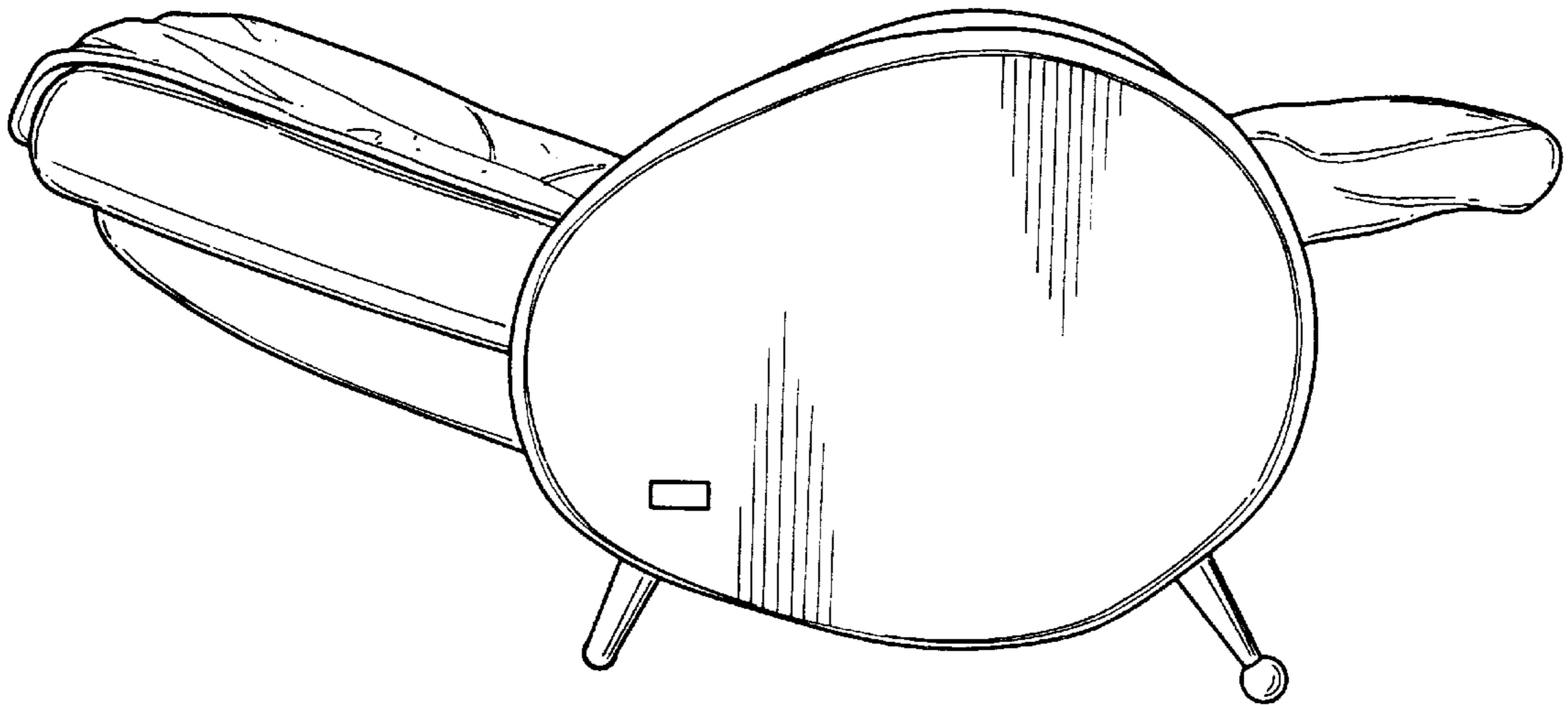


FIG. 7

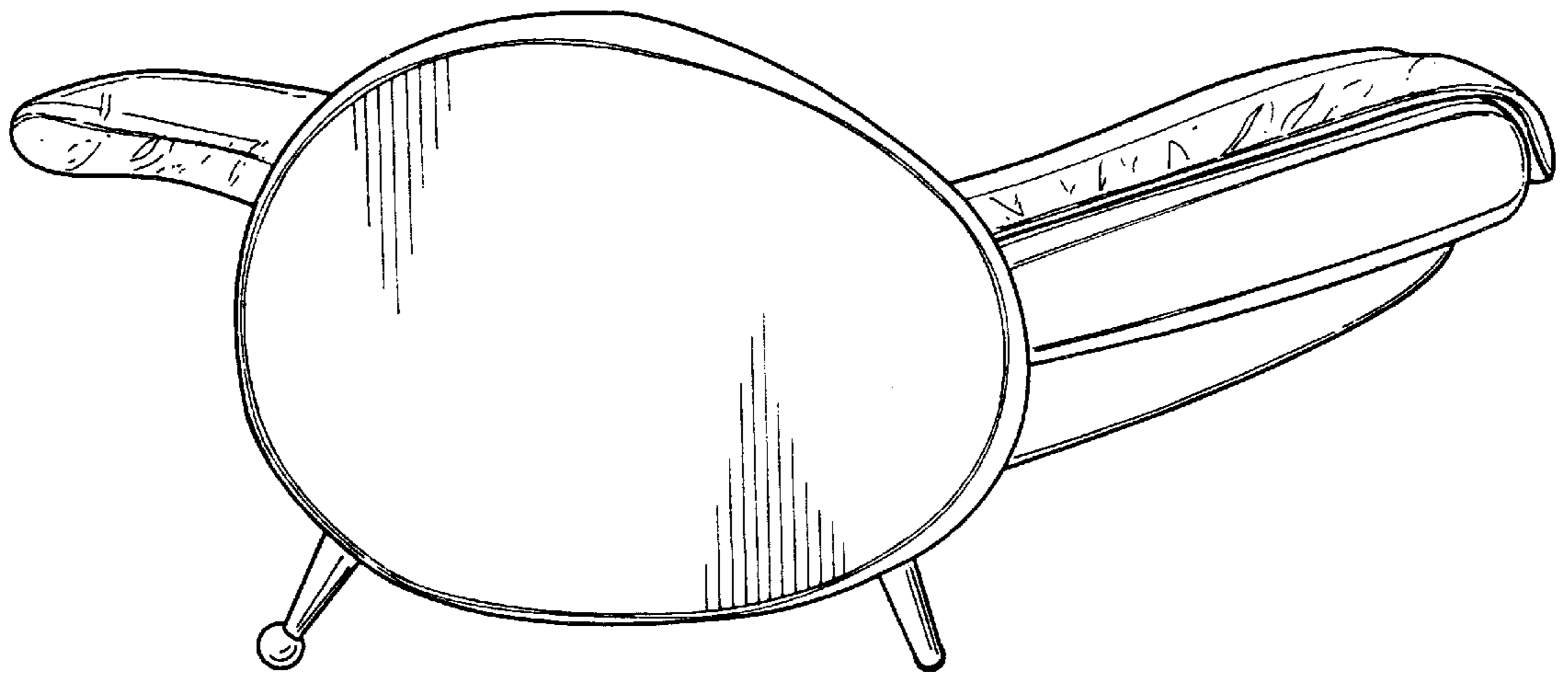


FIG. 8