



US00D462181S

(12) **United States Design Patent** (10) **Patent No.:** **US D462,181 S**
Vandenbussche (45) **Date of Patent:** **** Sep. 3, 2002**

(54) **TABLE MIRROR**

(75) Inventor: **Francis Vandenbussche**, Vaucresson (FR)

(73) Assignee: **Chanel, Inc.**, New York, NY (US)

(**) Term: **14 Years**

(21) Appl. No.: **29/147,048**

(22) Filed: **Aug. 21, 2001**

(51) **LOC (7) Cl.** **06-07**

(52) **U.S. Cl.** **D6/310**

(58) **Field of Search** D6/300, 308, 310;
309/838; 248/441.1

(56) **References Cited**

U.S. PATENT DOCUMENTS

D259,306 S * 5/1981 Licastro, II D6/300
5,161,766 A * 11/1992 Arima 248/447

* cited by examiner

Primary Examiner—Nelson C. Holtje

(74) *Attorney, Agent, or Firm*—Darby & Darby

(57) **CLAIM**

The ornamental design for a table mirror, as shown and described.

DESCRIPTION

FIG. 1 is a perspective view of a first embodiment of a table mirror in accordance with my invention;

FIG. 2 is a front elevation of the mirror;

FIG. 3 is a side elevation of the mirror the opposite side elevation being a mirror image thereof;

FIG. 4 is a rear elevation of the mirror;

FIG. 5 is a top elevation of the mirror;

FIG. 6 is a bottom elevation of the mirror;

FIG. 7 is a perspective view of a second embodiment of the invention;

FIG. 8 is a front elevation of a mirror according to the second embodiment;

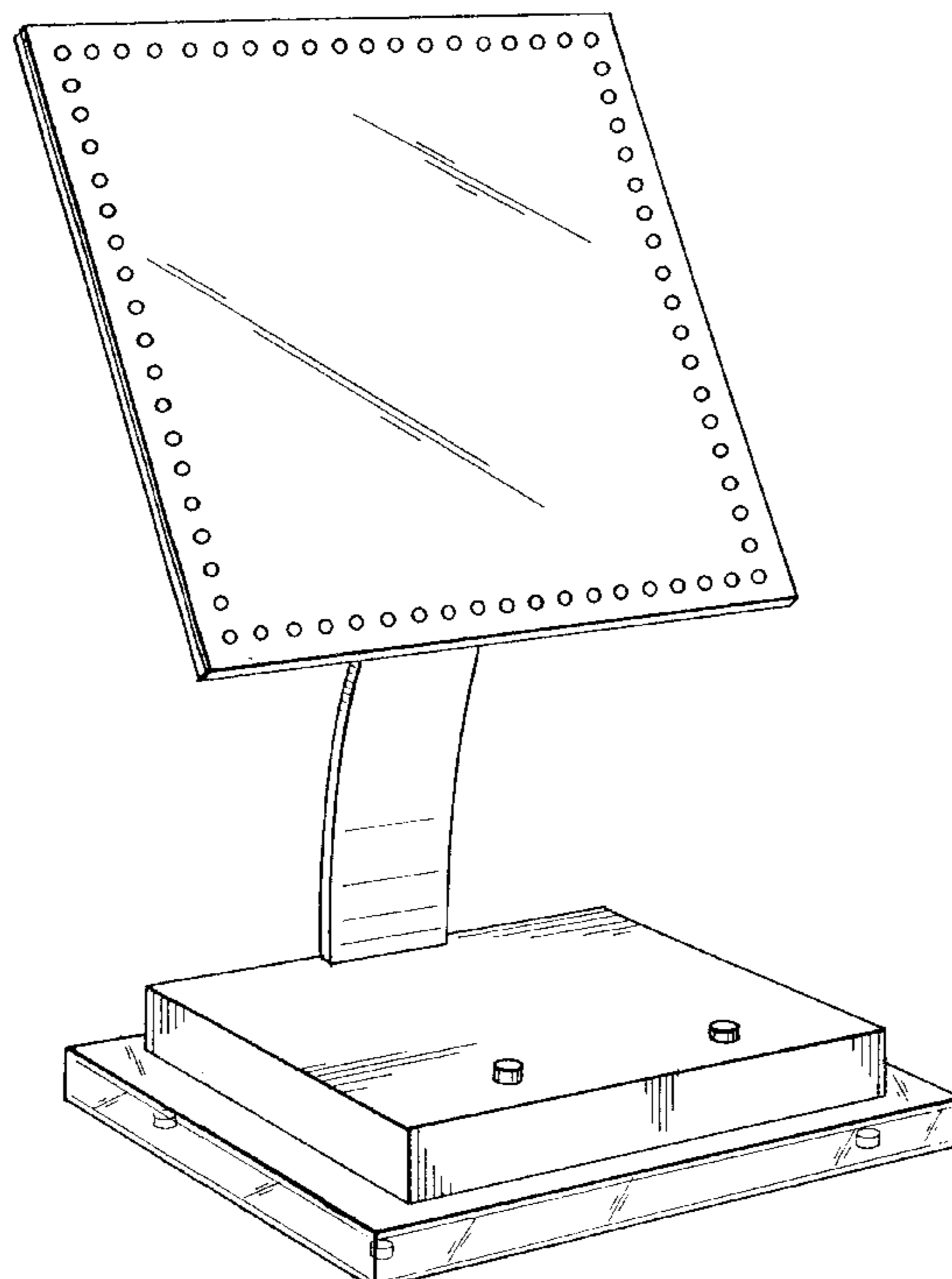
FIG. 9 is a side elevation of the mirror according to the second embodiment, the opposite side elevation being a mirror image thereof;

FIG. 10 is a rear elevation of the mirror according to the second embodiment;

FIG. 11 is a top elevation of the mirror according to the second embodiment; and,

FIG. 12 is a bottom elevation of the mirror according to the second embodiment.

1 Claim, 6 Drawing Sheets



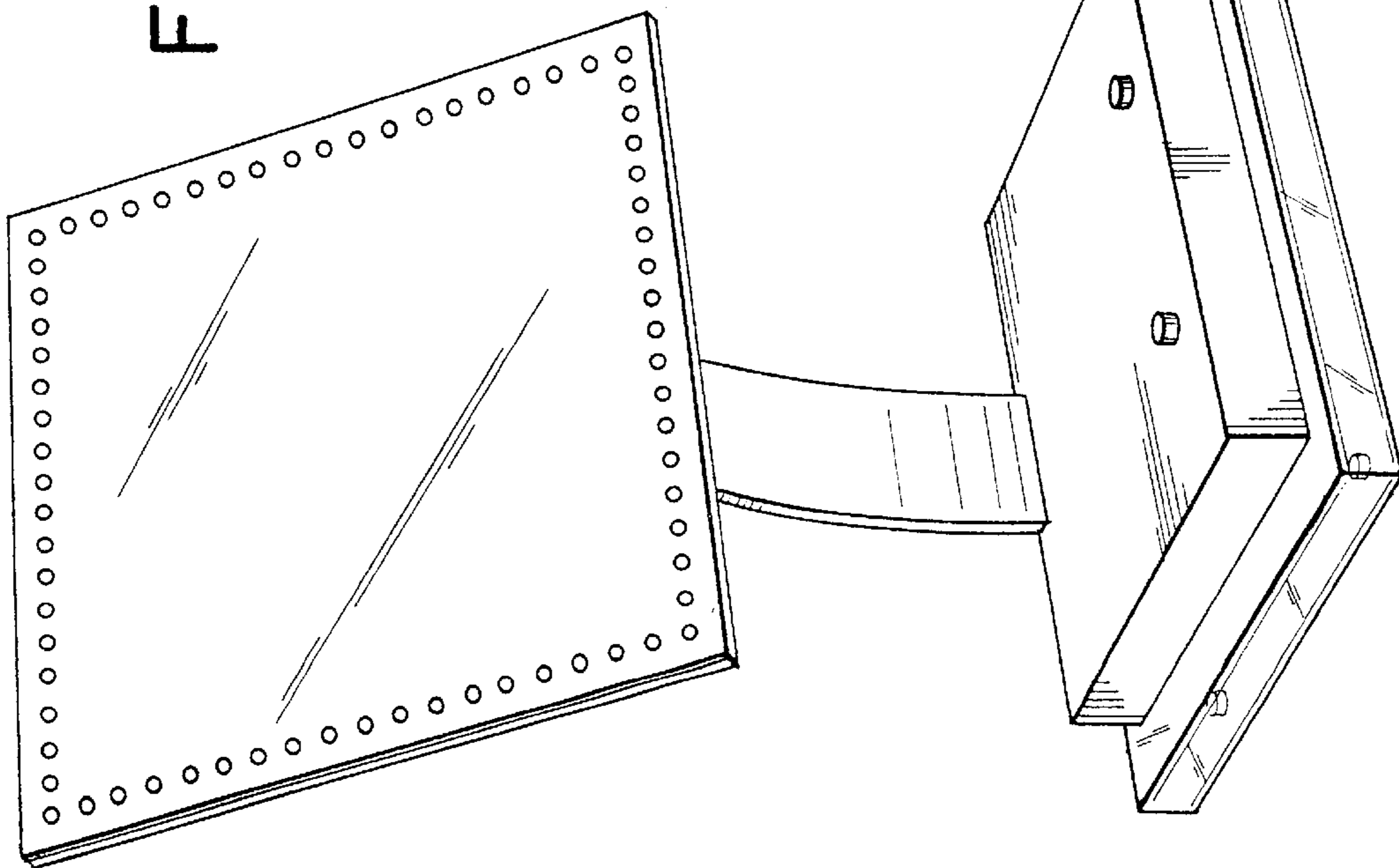


FIG. 1

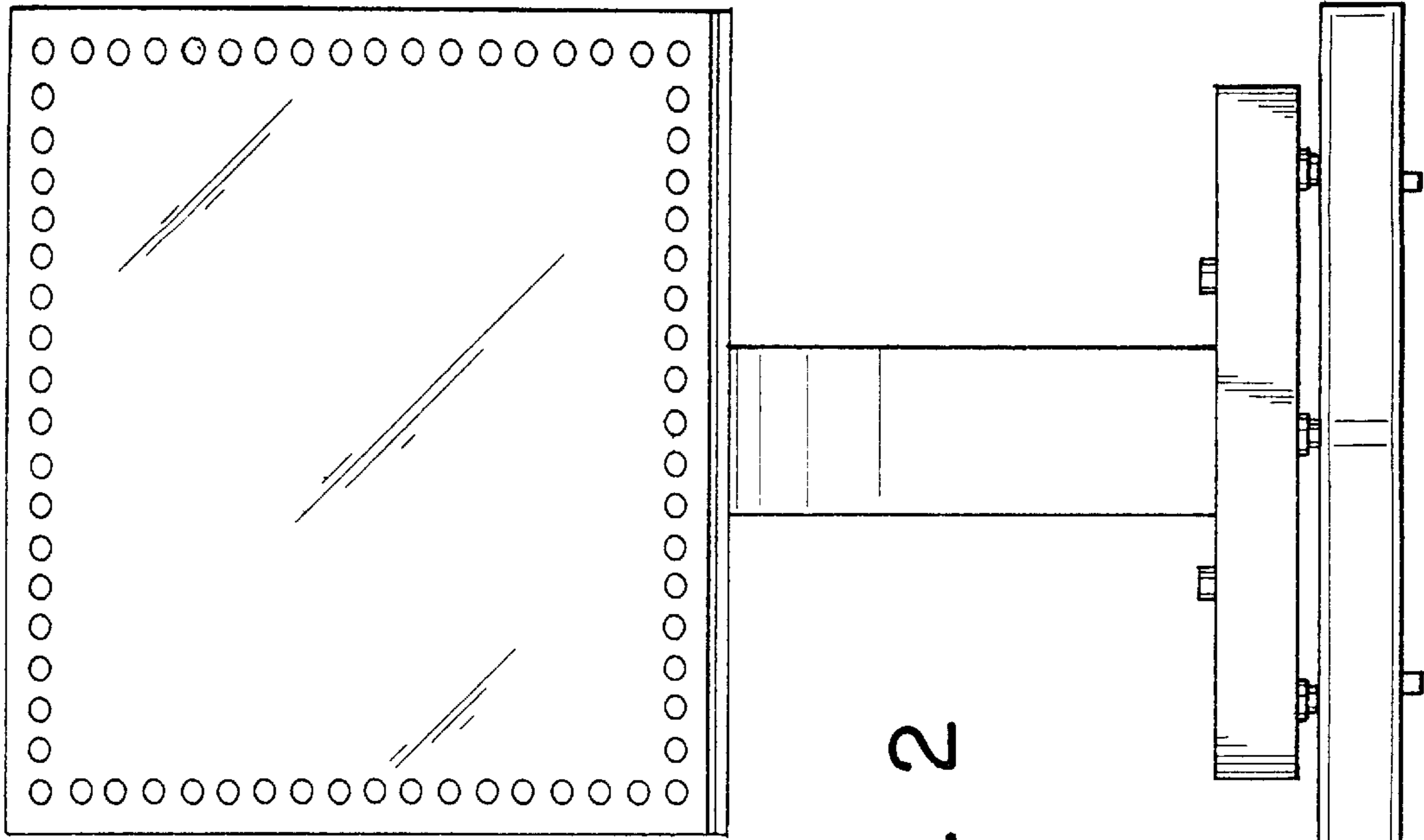


FIG. 2

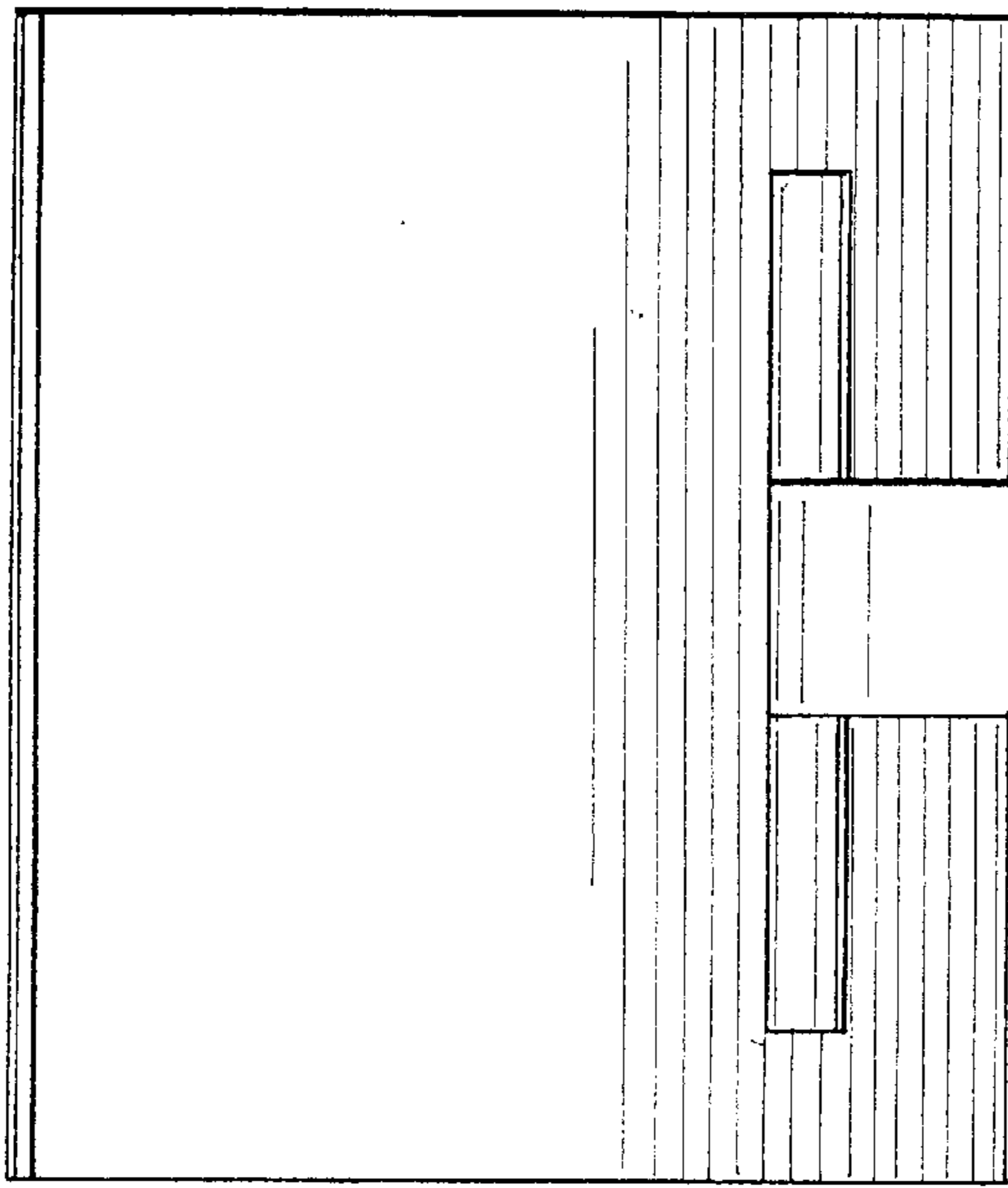


FIG. 3

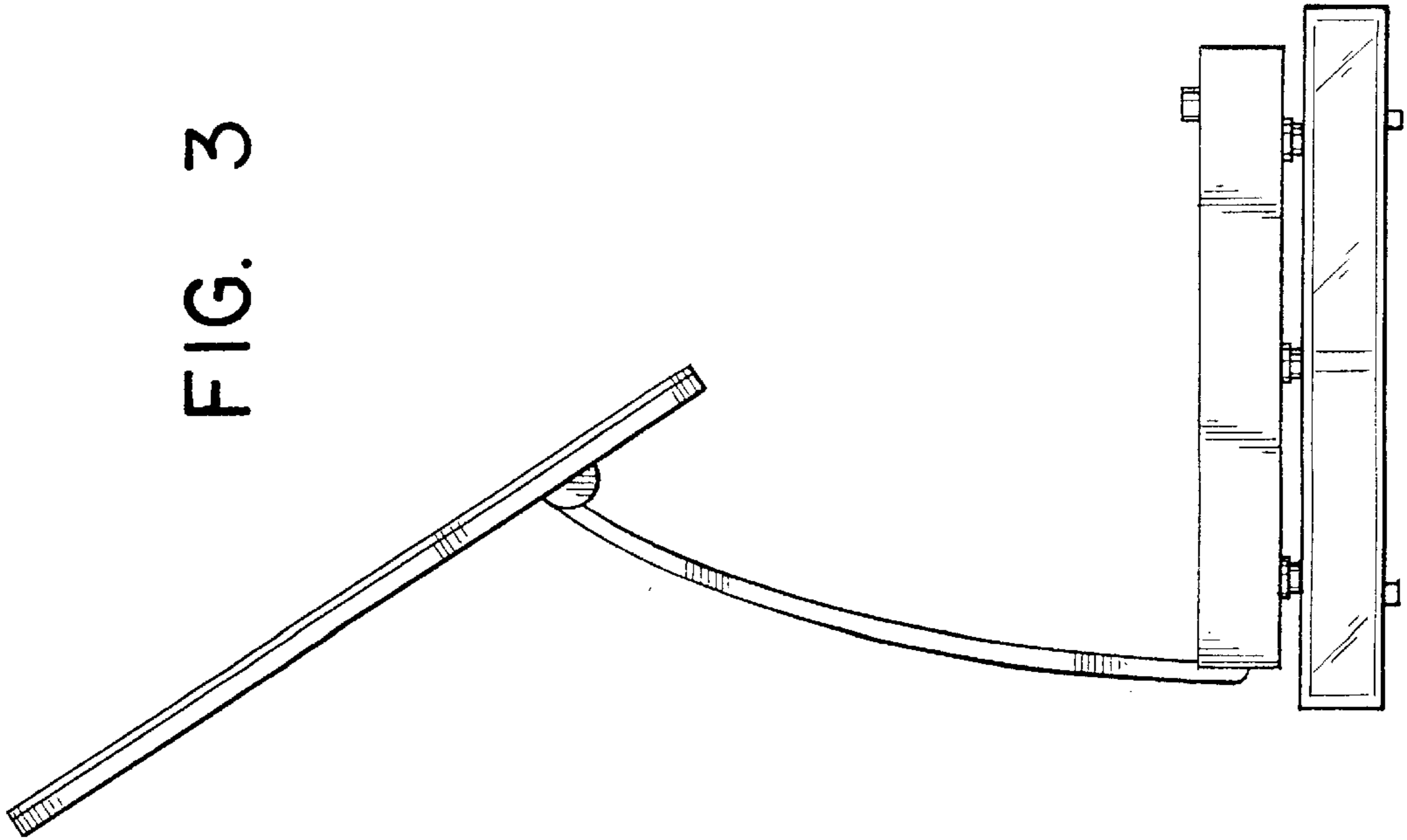


FIG. 4

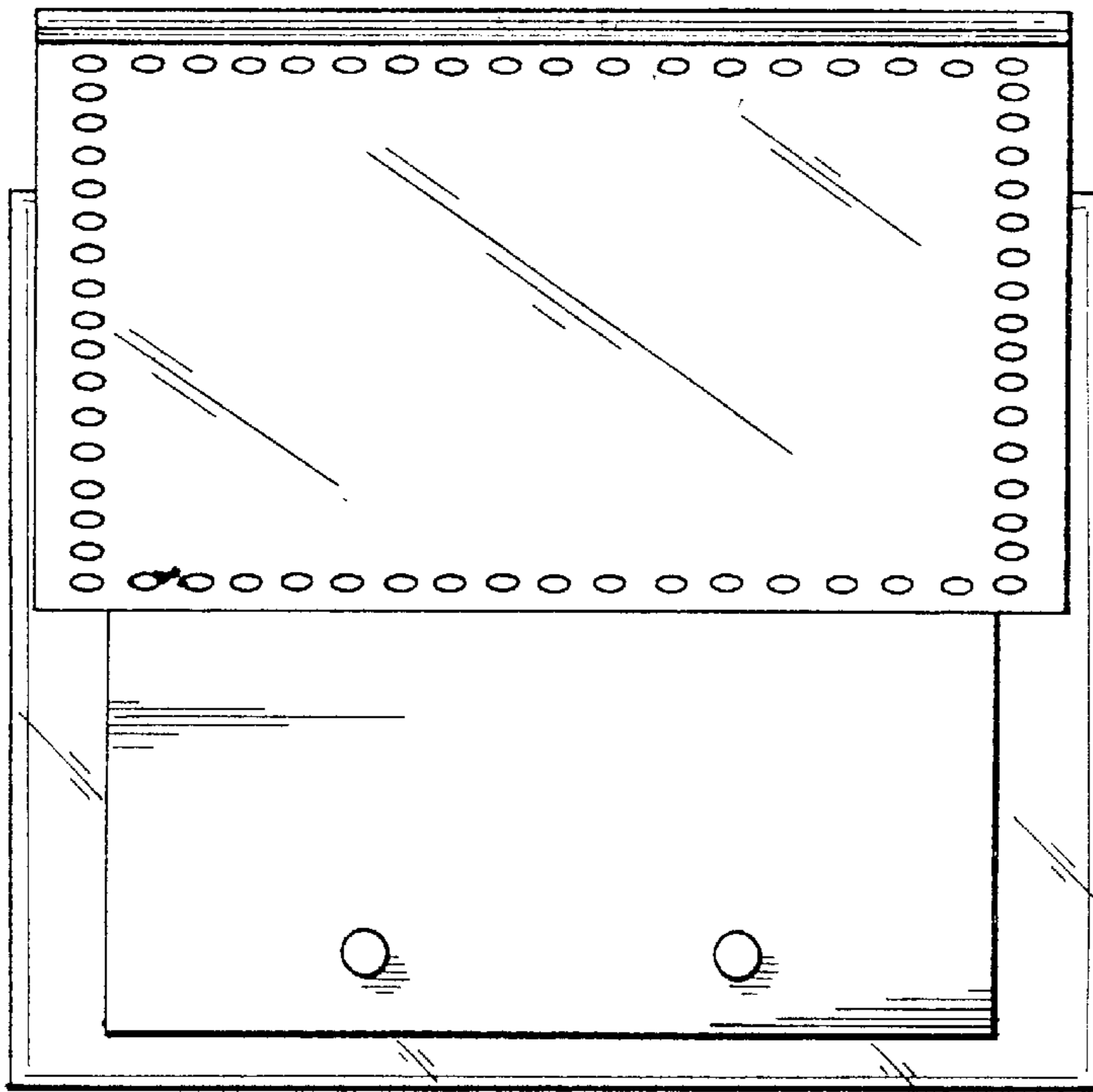
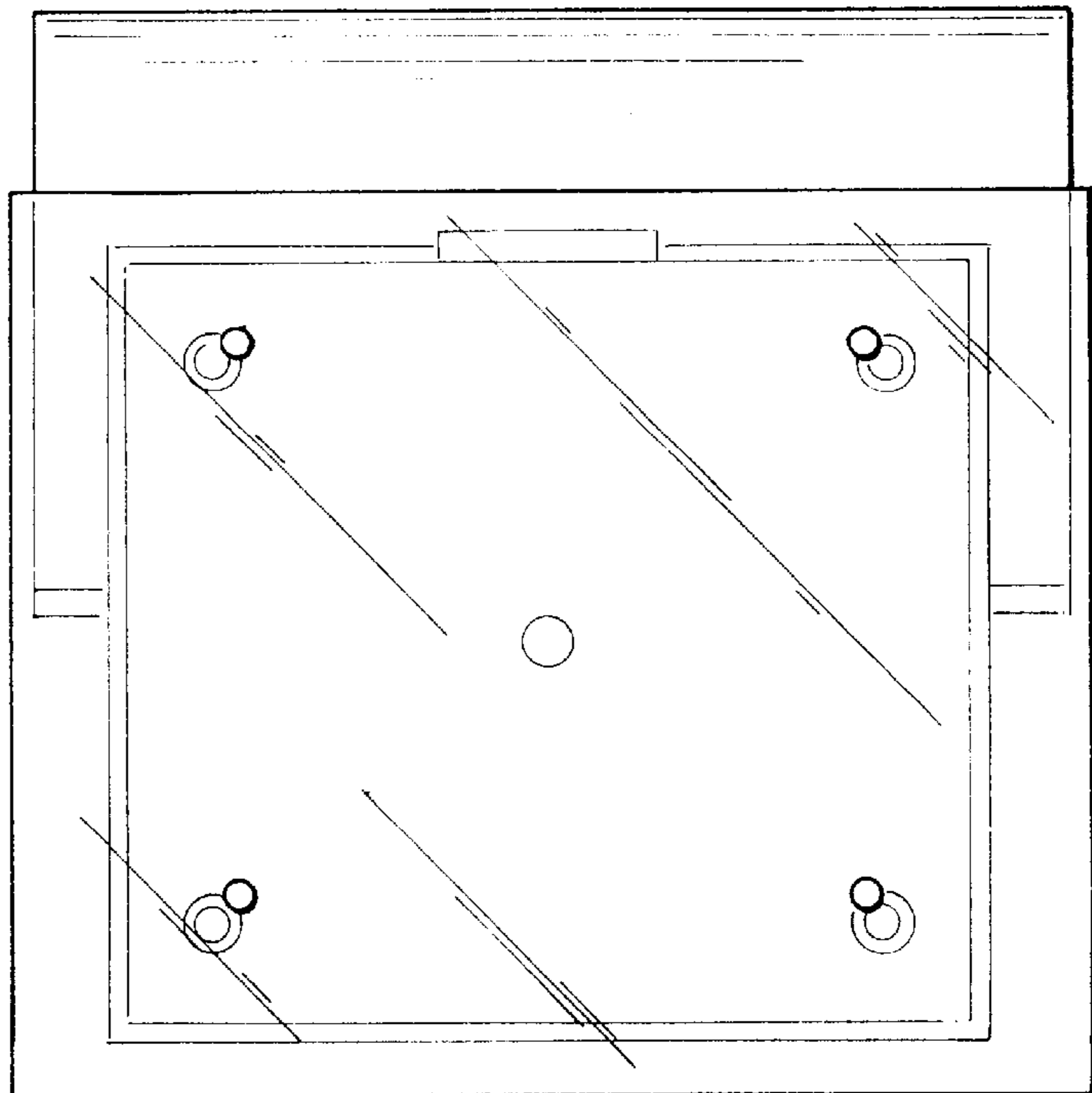


FIG. 5

FIG. 6



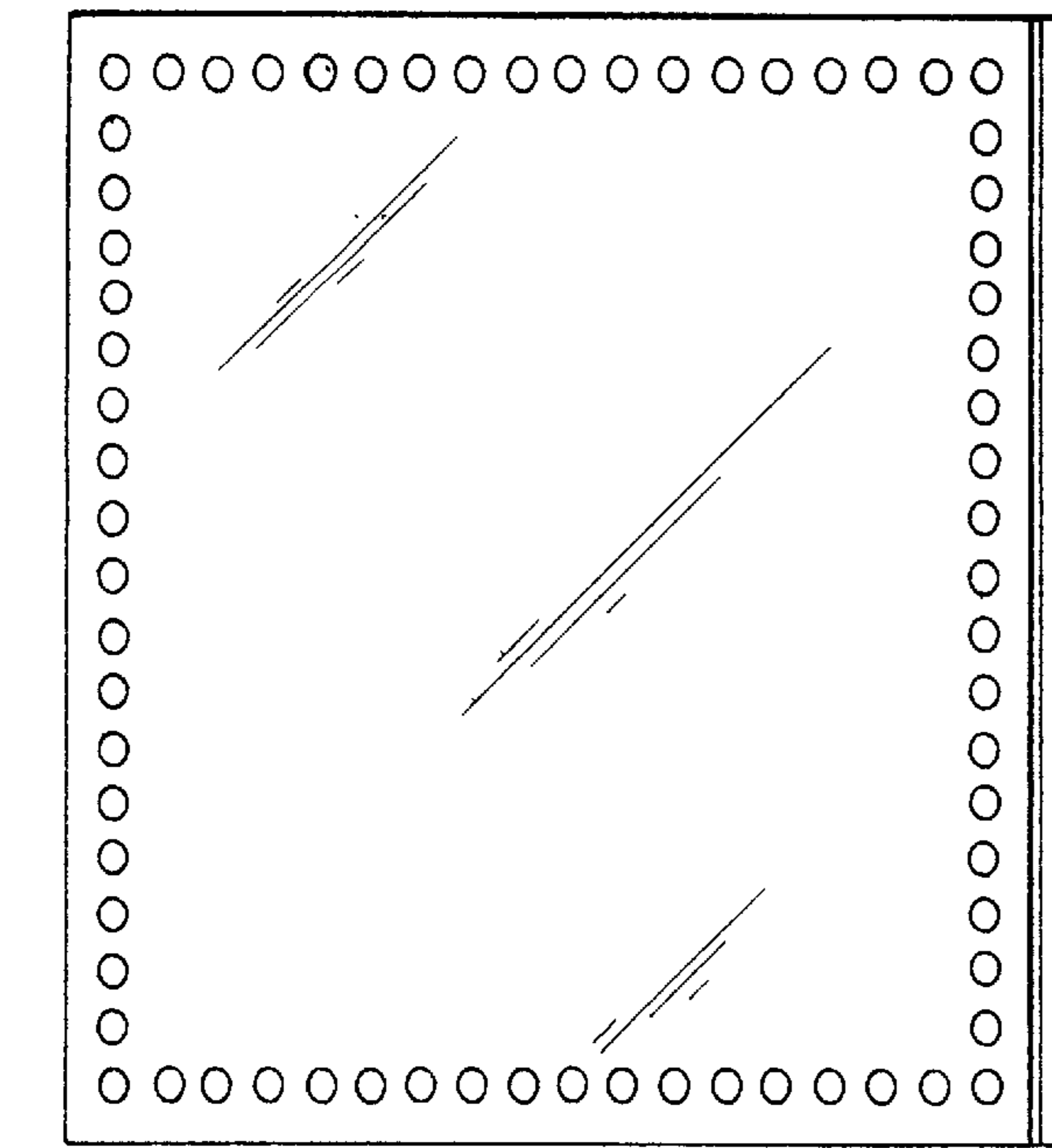


FIG. 7

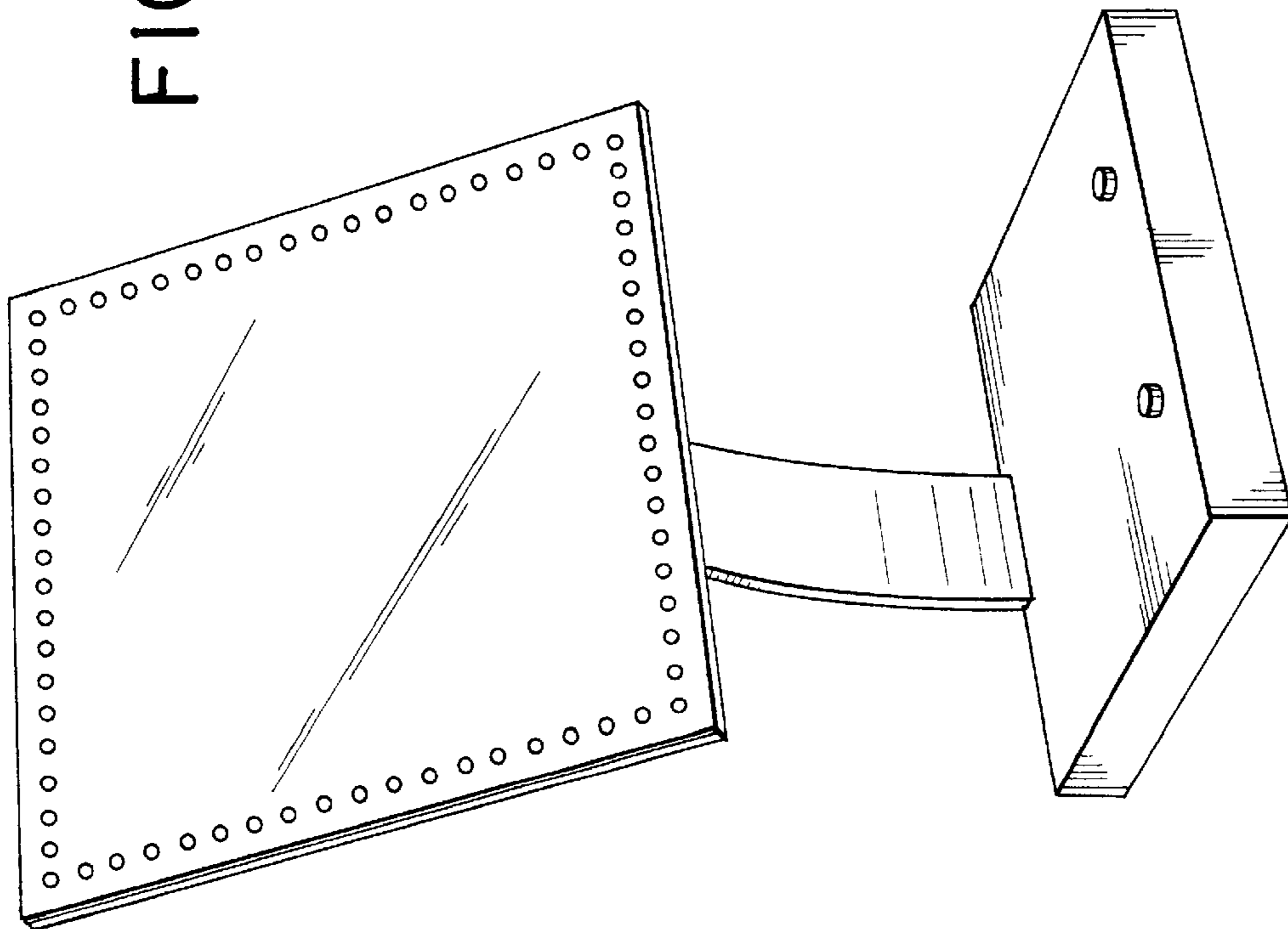
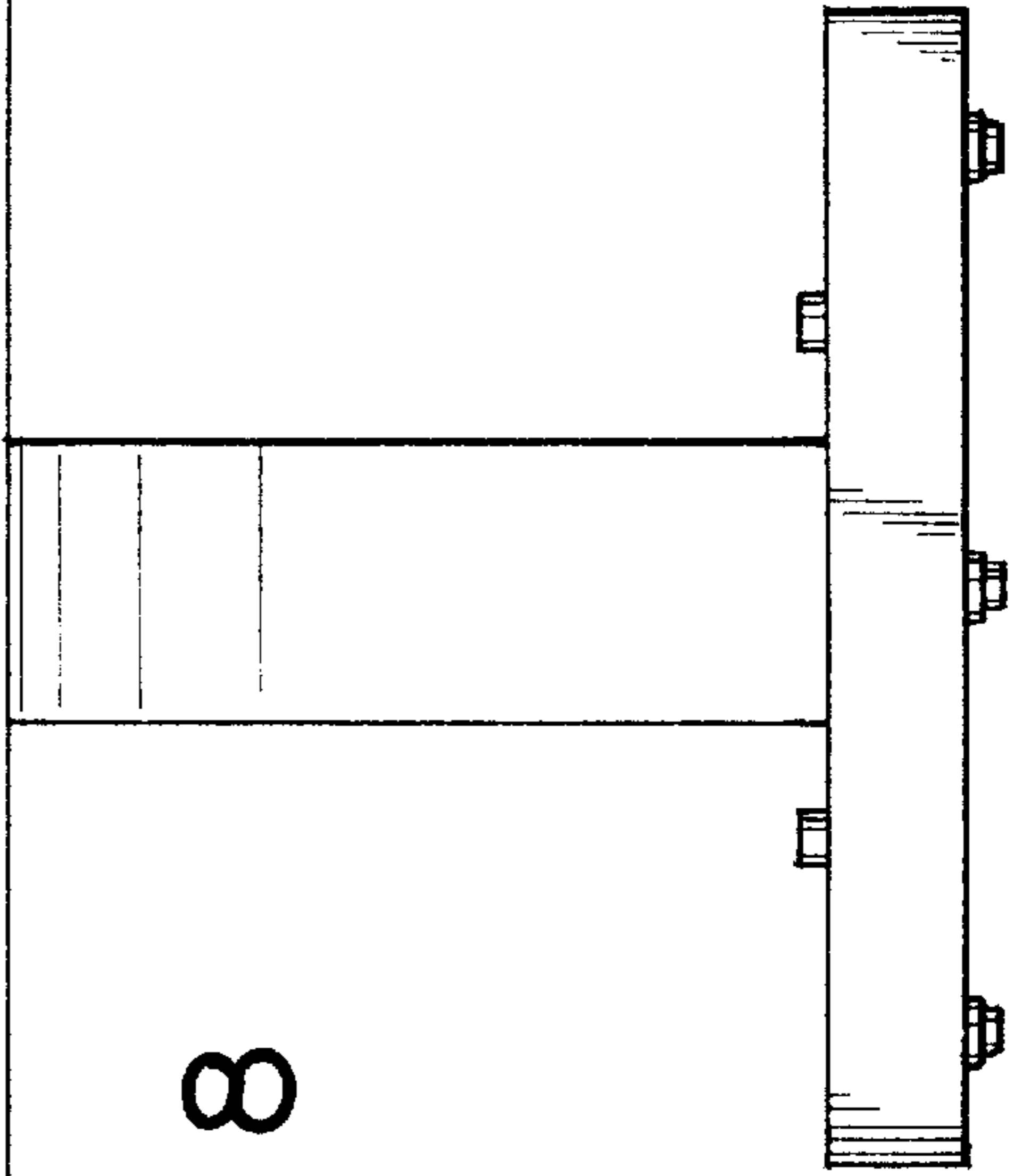


FIG. 8



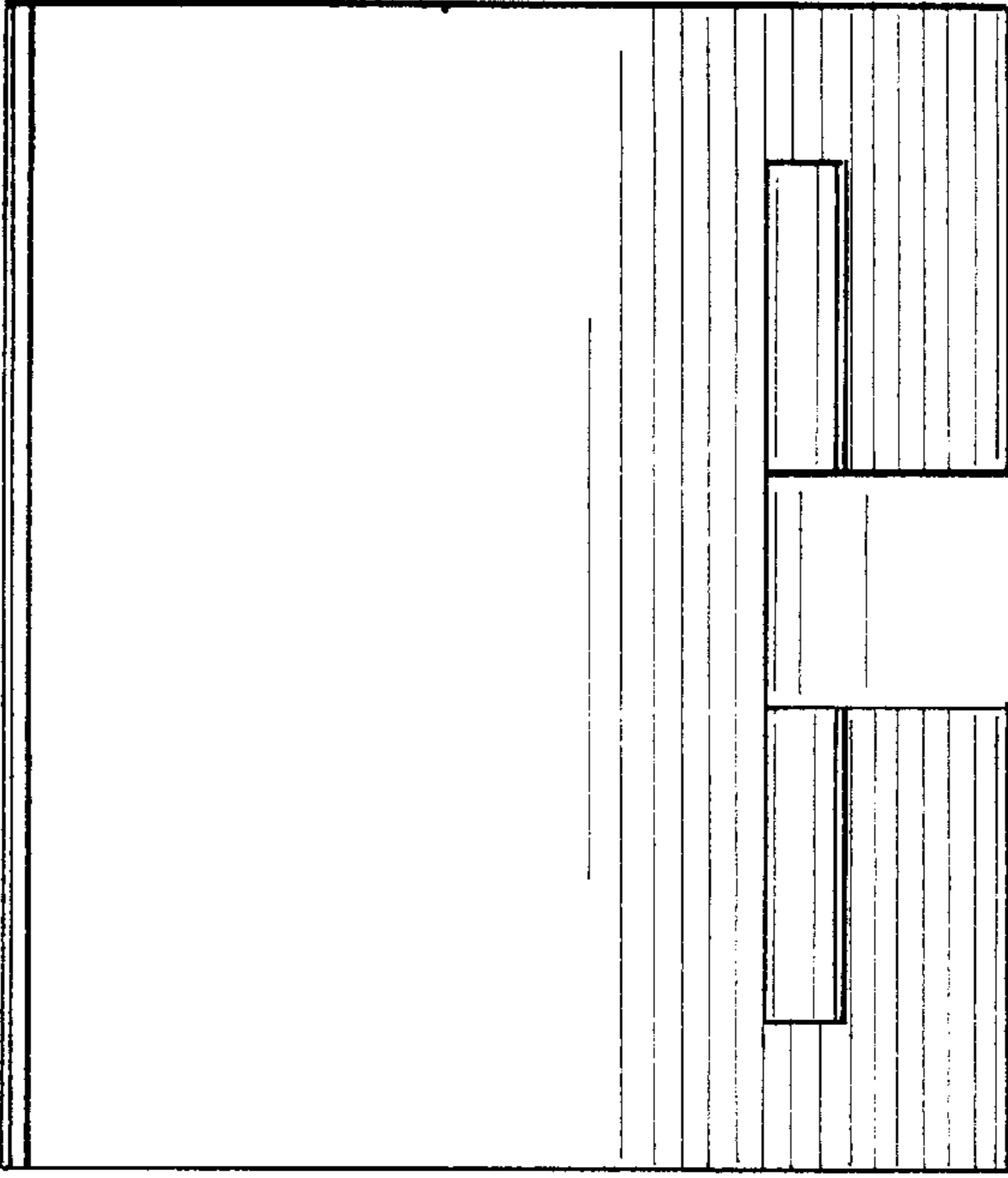


FIG. 9

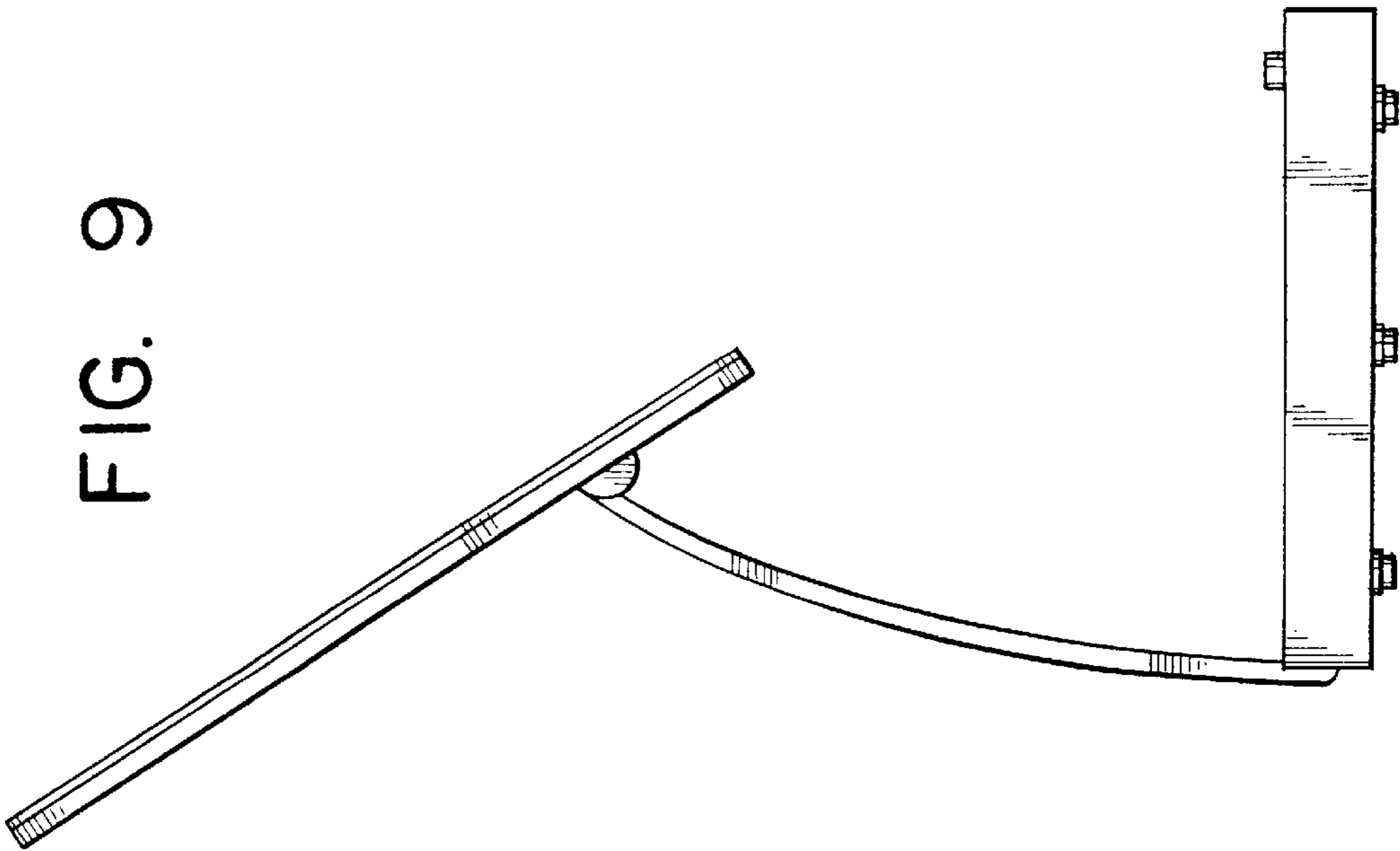


FIG. 10

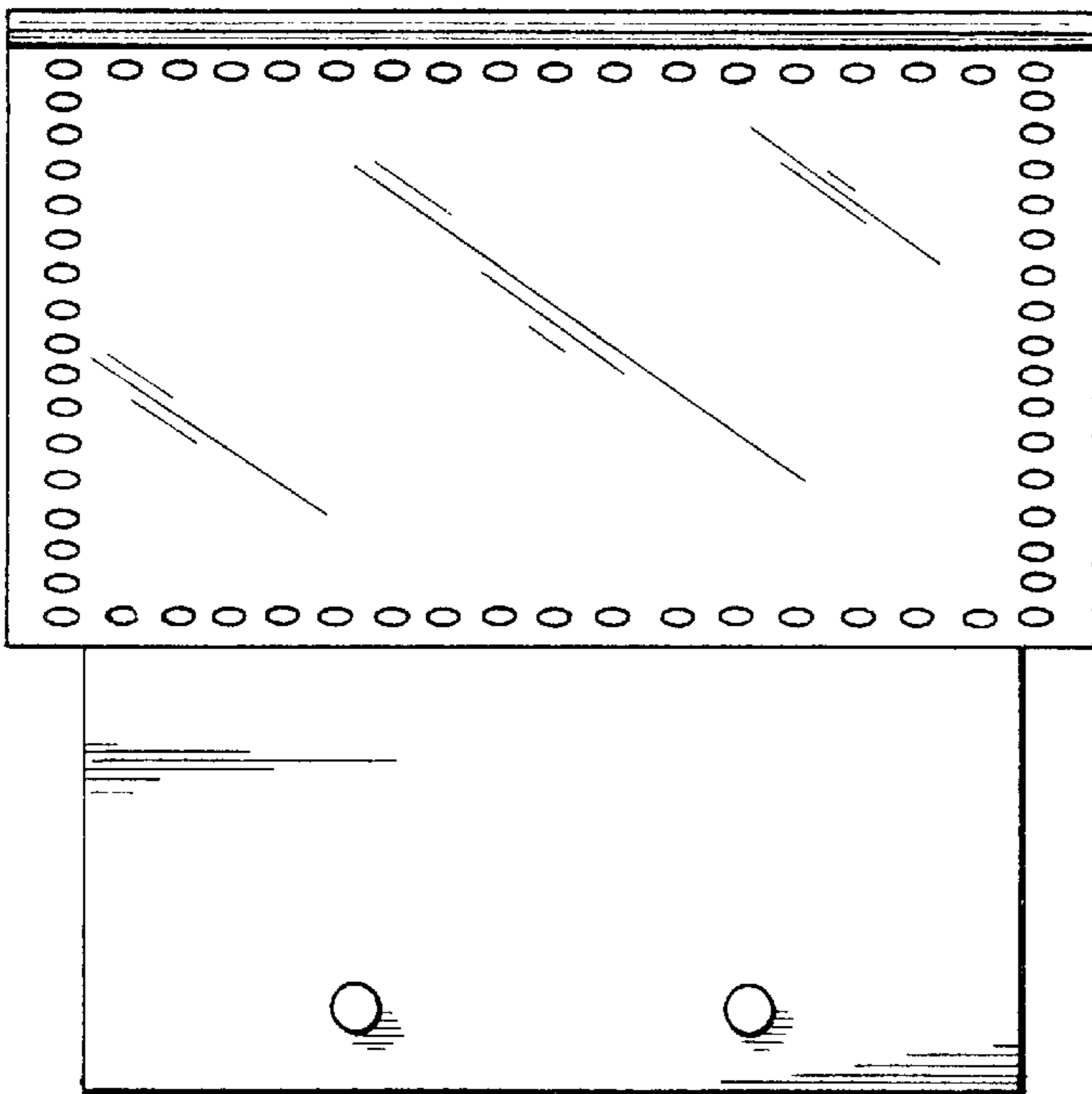


FIG. 11

FIG. 12

