



US00D462171S

(12) **United States Design Patent**
Elabour

(10) **Patent No.:** **US D462,171 S**

(45) **Date of Patent:** **** Sep. 3, 2002**

(54) **PORTABLE VEHICLE ORGANIZER**

(76) Inventor: **Nadia Elabour**, 1967 San Salvatore Pl.,
San Marino, CA (US) 91108

(**) Term: **14 Years**

(21) Appl. No.: **29/146,136**

(22) Filed: **Aug. 3, 2001**

(51) **LOC (7) Cl.** **03-01**

(52) **U.S. Cl.** **D3/284; D3/276; D3/294;**
D12/423

(58) **Field of Search** D3/273, 276, 283,
D3/284, 294, 295; D9/420, 423; 296/37.6;
D12/423, 424; 224/275

(56) **References Cited**

U.S. PATENT DOCUMENTS

3,201,017	A	*	8/1965	Morrissey	206/315.11
3,909,092	A		9/1975	Kiernan	312/235 A
4,949,890	A		8/1990	Schultz	224/275
5,031,769	A	*	7/1991	Shea et al.	206/335
5,054,668	A	*	10/1991	Ricchiuti	206/818
D325,127	S	*	4/1992	Diaz	D3/284
5,209,386	A		5/1993	Allison	224/275
D336,155	S	*	6/1993	Williams	D3/284
D338,238	S		8/1993	Aaldenberg et al.	D19/75
5,347,746	A	*	9/1994	Letson	206/315.11
D353,047	S	*	12/1994	Lackie	D3/273
D355,761	S	*	2/1995	Campana et al.	D19/75
5,439,108	A	*	8/1995	Lackie	206/373
5,551,616	A		9/1996	Stitt et al.	224/275

D374,423	S	*	10/1996	Downey et al.	D12/423
5,628,438	A		5/1997	Legrow	224/275
D402,106	S	*	12/1998	Buckingham et al.	D3/284
D425,302	S	*	5/2000	Fountain, Sr.	D3/283

* cited by examiner

Primary Examiner—Philip S. Hyder

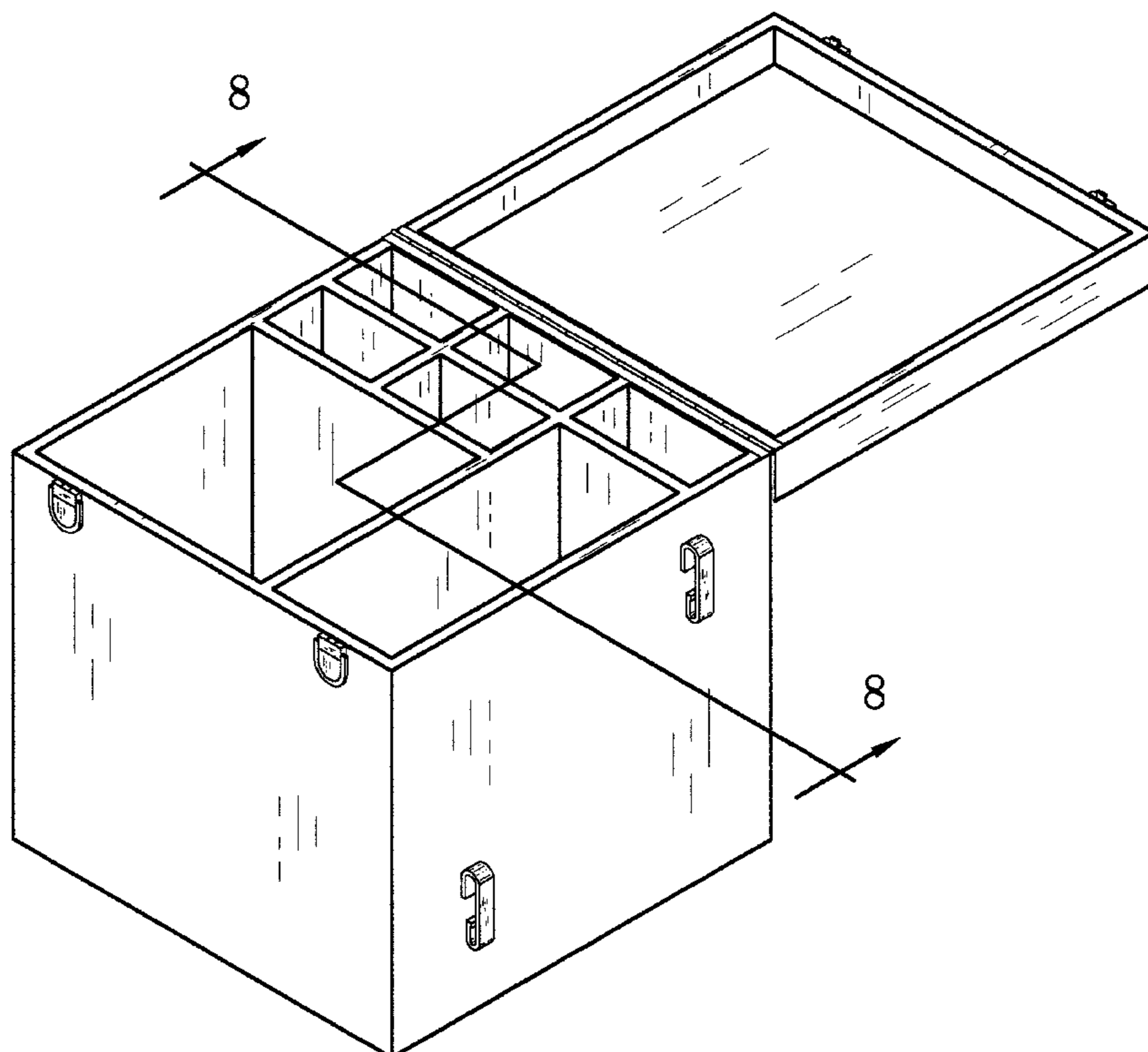
(57) **CLAIM**

The ornamental design for a portable vehicle organizer, as shown and described.

DESCRIPTION

FIG. 1 is a front elevational view of the portable vehicle organizer of the present invention;
 FIG. 2 is a rear elevational view of the portable vehicle organizer of FIG. 1;
 FIG. 3 is a left side elevational view of the portable vehicle organizer of FIG. 1;
 FIG. 4 is a right side elevational view of the portable vehicle organizer of FIG. 1;
 FIG. 5 is a top plan view of the portable vehicle organizer of FIG. 1;
 FIG. 6 is a bottom plan view of the portable vehicle organizer of FIG. 1;
 FIG. 7 is a top, front, right side perspective view of the portable vehicle organizer, wherein the lid is in an open position, and,
 FIG. 8 is a cross-sectional view of FIG. 7 taken along line 8—8.

1 Claim, 5 Drawing Sheets



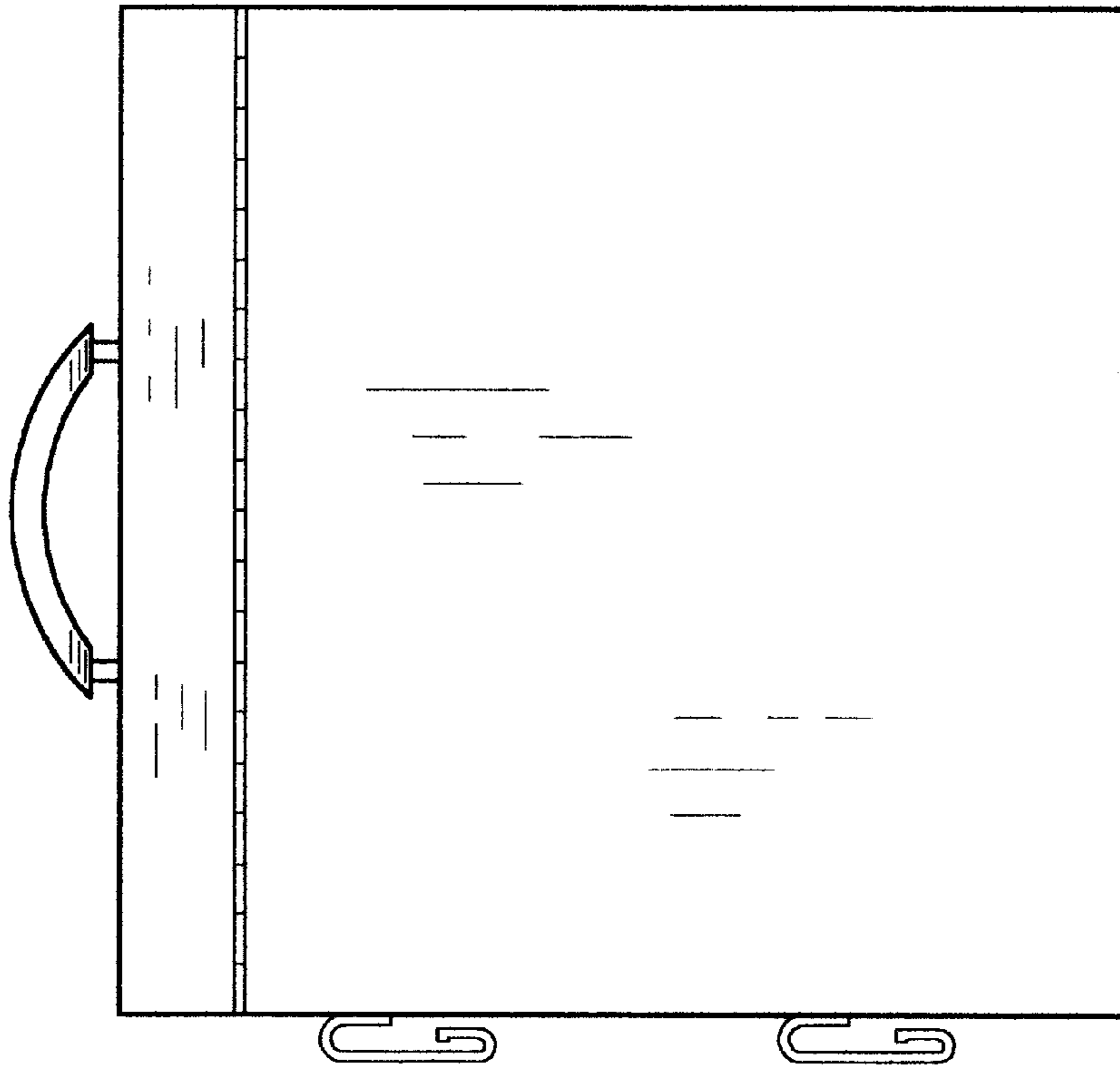


FIG. 1

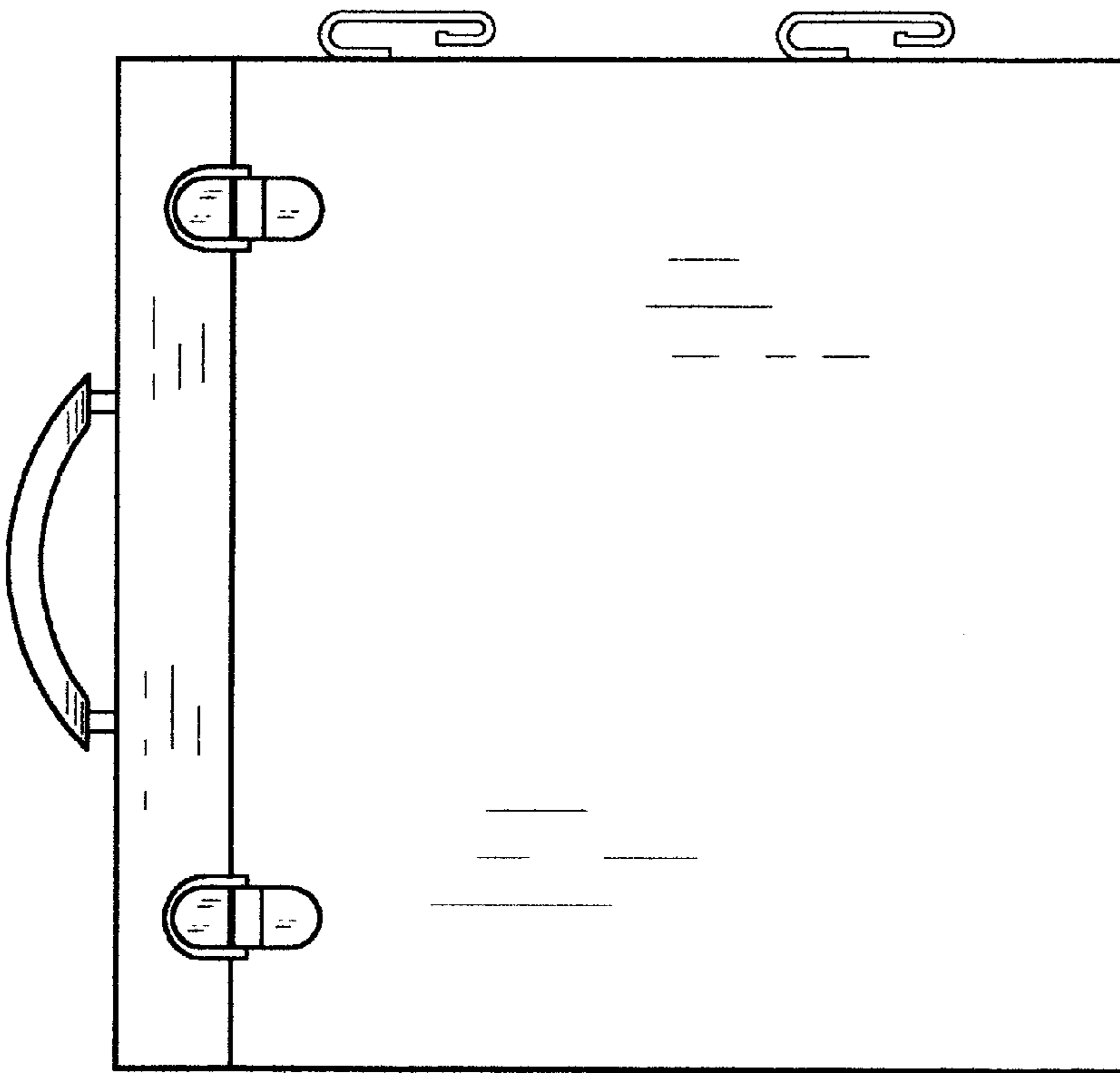


FIG. 2

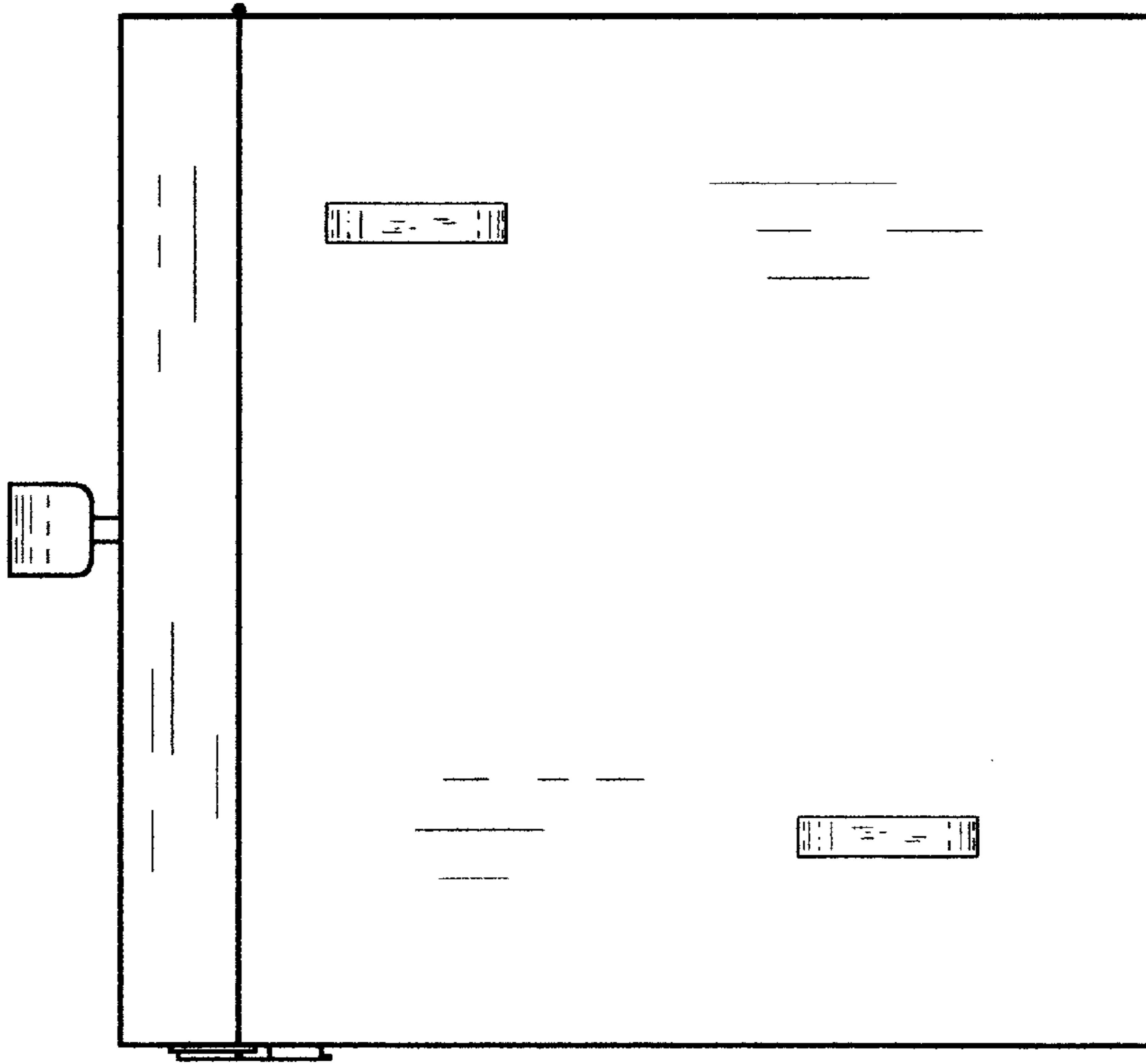


FIG. 4

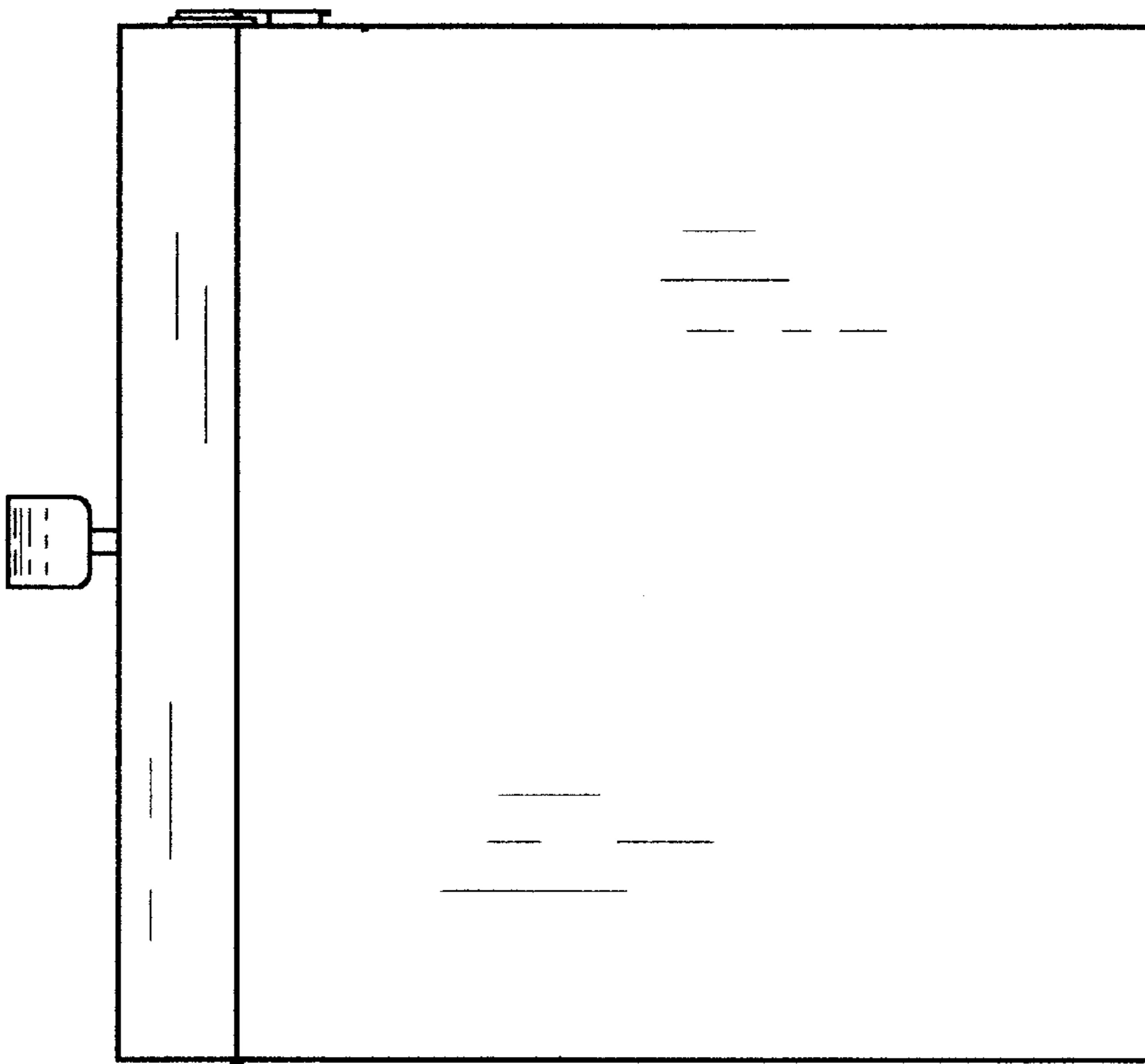


FIG. 3

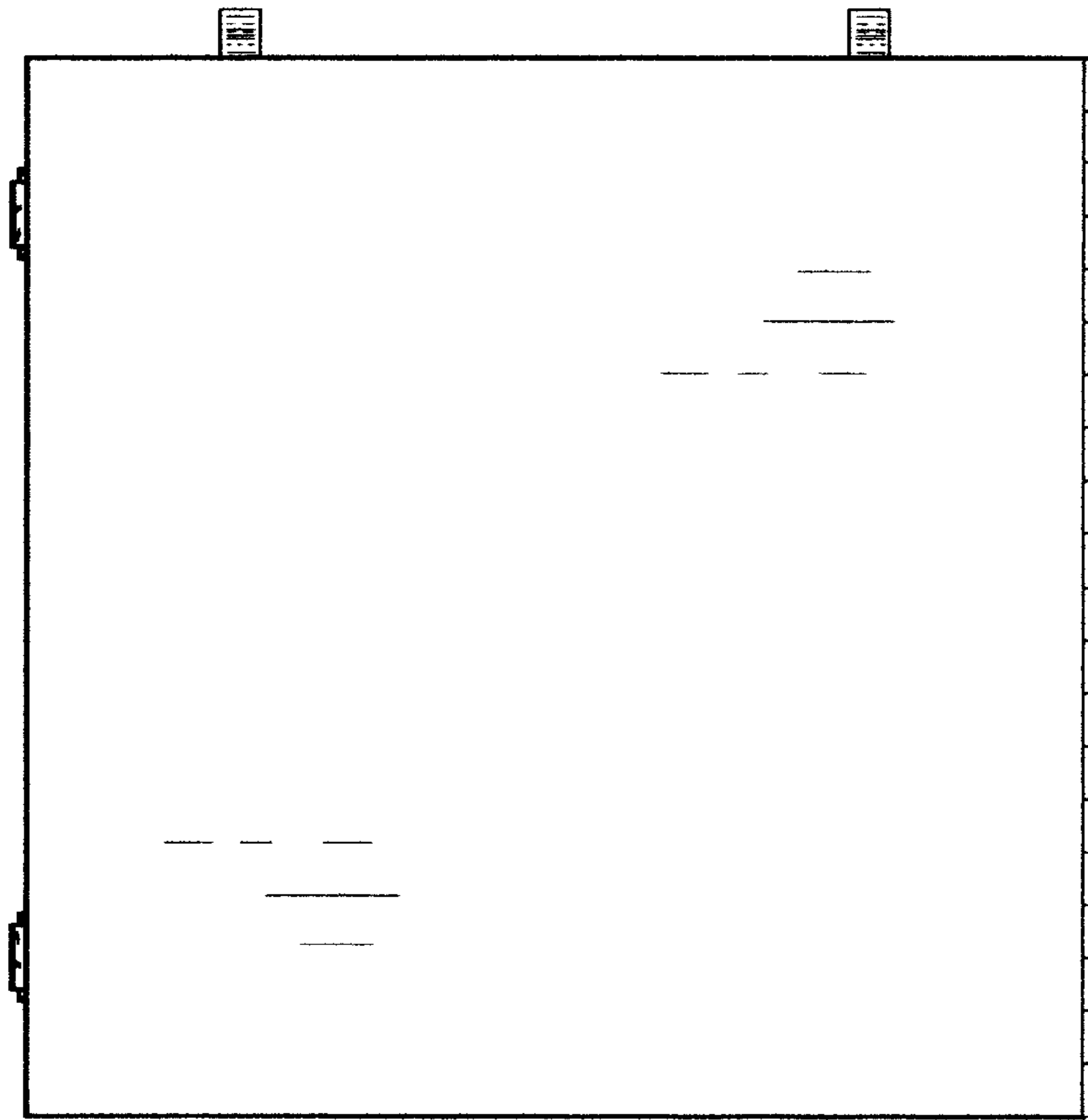


FIG. 5

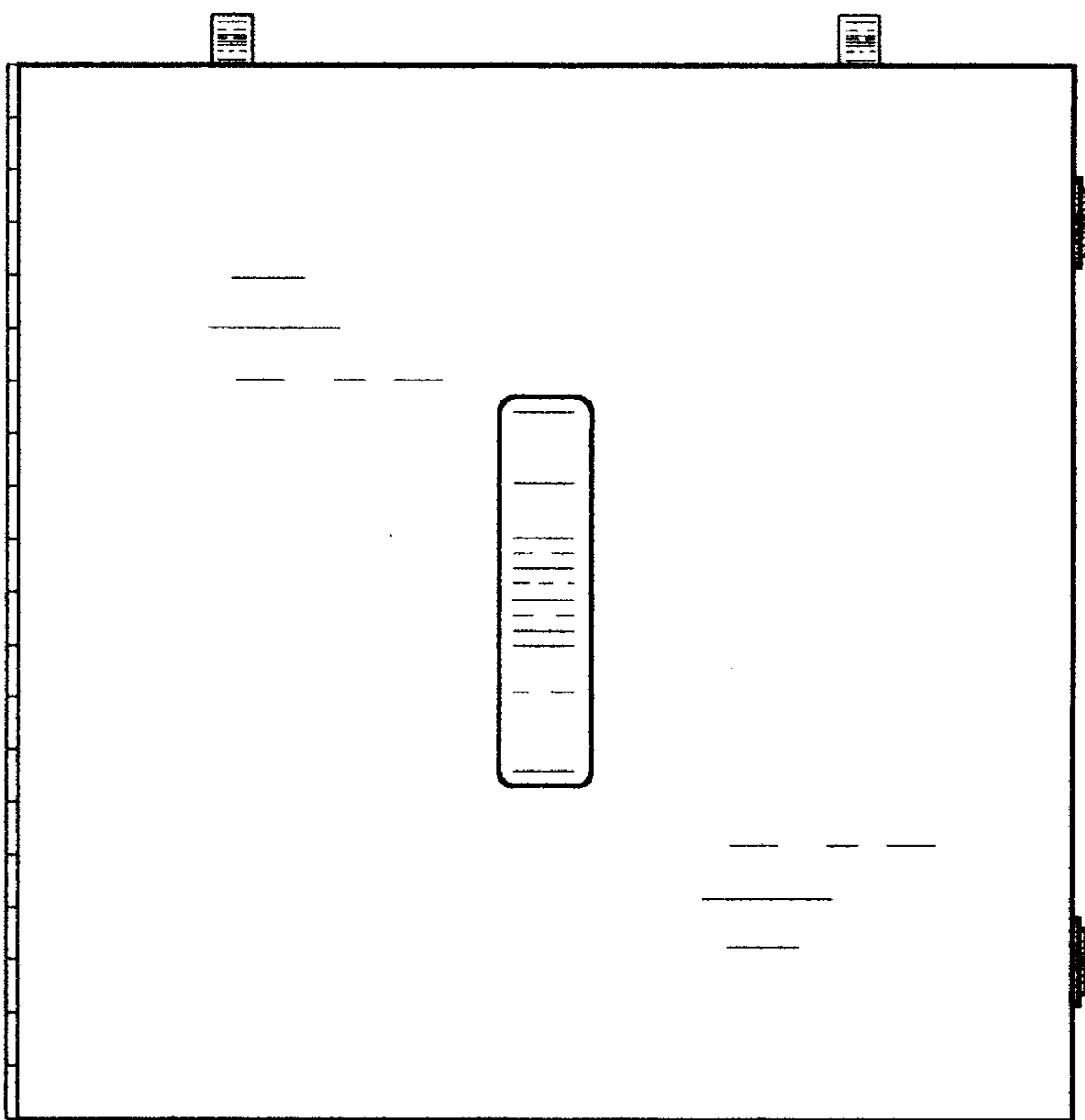


FIG. 6

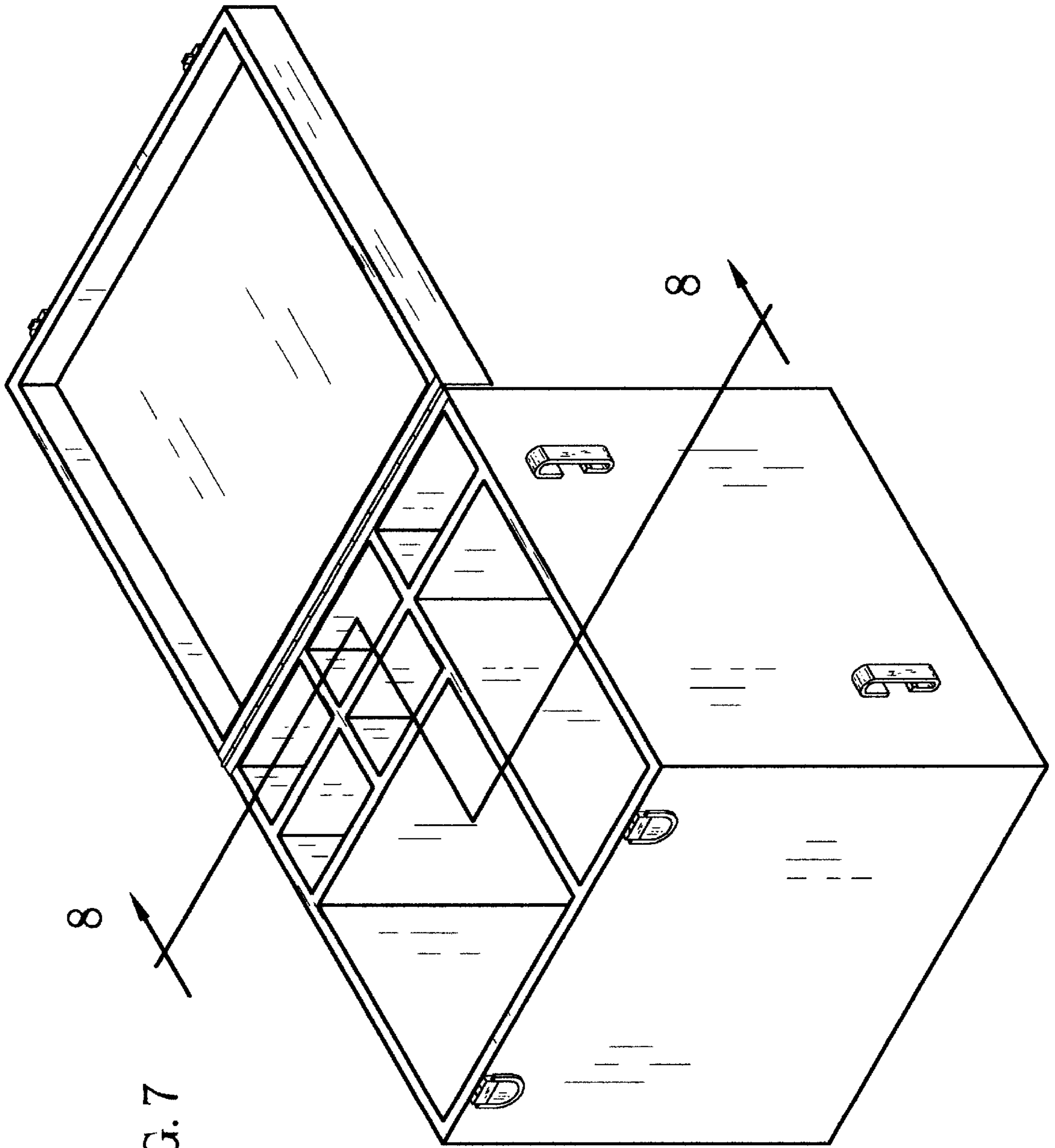


FIG. 7

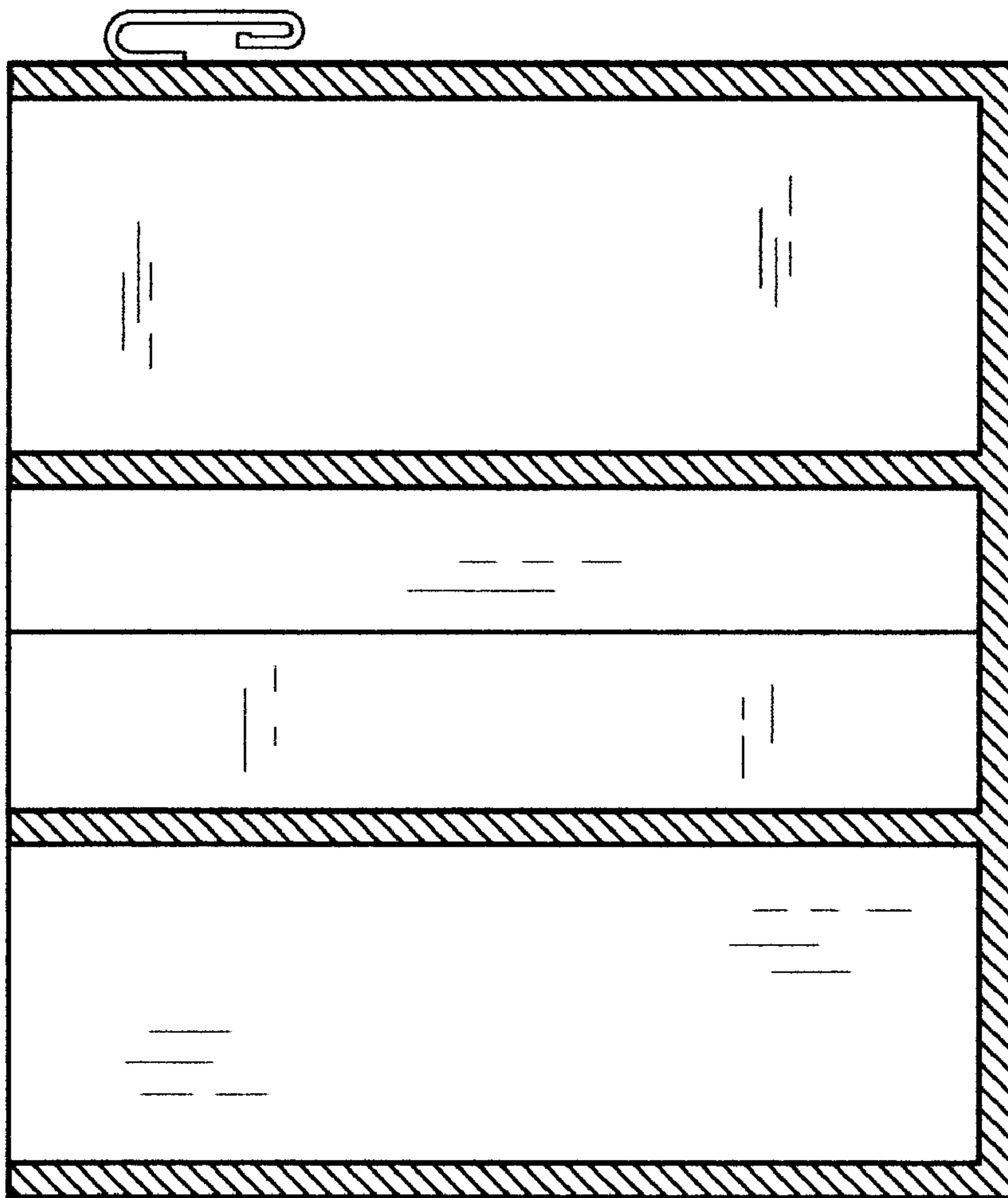


FIG. 8