



US00D462170S

(12) **United States Design Patent**
Chen et al.

(10) **Patent No.:** **US D462,170 S**

(45) **Date of Patent:** **** Sep. 3, 2002**

(54) **TOOL CONTAINER**

(76) Inventors: **Shu-Ju Chen; Hung-Ta Huang**, both
of No. 47, 42 Rd., Industrial Park,
Taichung City (TW)

(**) Term: **14 Years**

(21) Appl. No.: **29/148,391**

(22) Filed: **Sep. 20, 2001**

(51) **LOC (7) Cl.** **03-01**

(52) **U.S. Cl.** **D3/279; D3/276; D3/905**

(58) **Field of Search** **D3/273, 276, 279,**
D3/281, 282, 294, 295, 905; 206/349, 372,
373; 190/18 A; 280/47.26

(56) **References Cited**

U.S. PATENT DOCUMENTS

5,378,005 A * 1/1995 Norton 206/349
D374,772 S * 10/1996 Hotaling et al. D3/273
5,683,097 A * 11/1997 Fenton et al. 280/47.26
5,988,658 A * 11/1999 Ritchie et al. 280/47.17

D423,817 S * 5/2000 Holcomb et al. D34/21
D423,818 S * 5/2000 Holcomb et al. D6/445
D437,484 S * 2/2001 Tiramani et al. D3/276
D441,954 S * 5/2001 Parker D3/273

* cited by examiner

Primary Examiner—Philip S. Hyder

(74) *Attorney, Agent, or Firm*—Varndell & Varndell, PLLC

(57) **CLAIM**

The ornamental design for a tool container, as shown and described.

DESCRIPTION

FIG. 1 is a perspective view of a tool container showing our new design;

FIG. 2 is a front elevational view thereof;

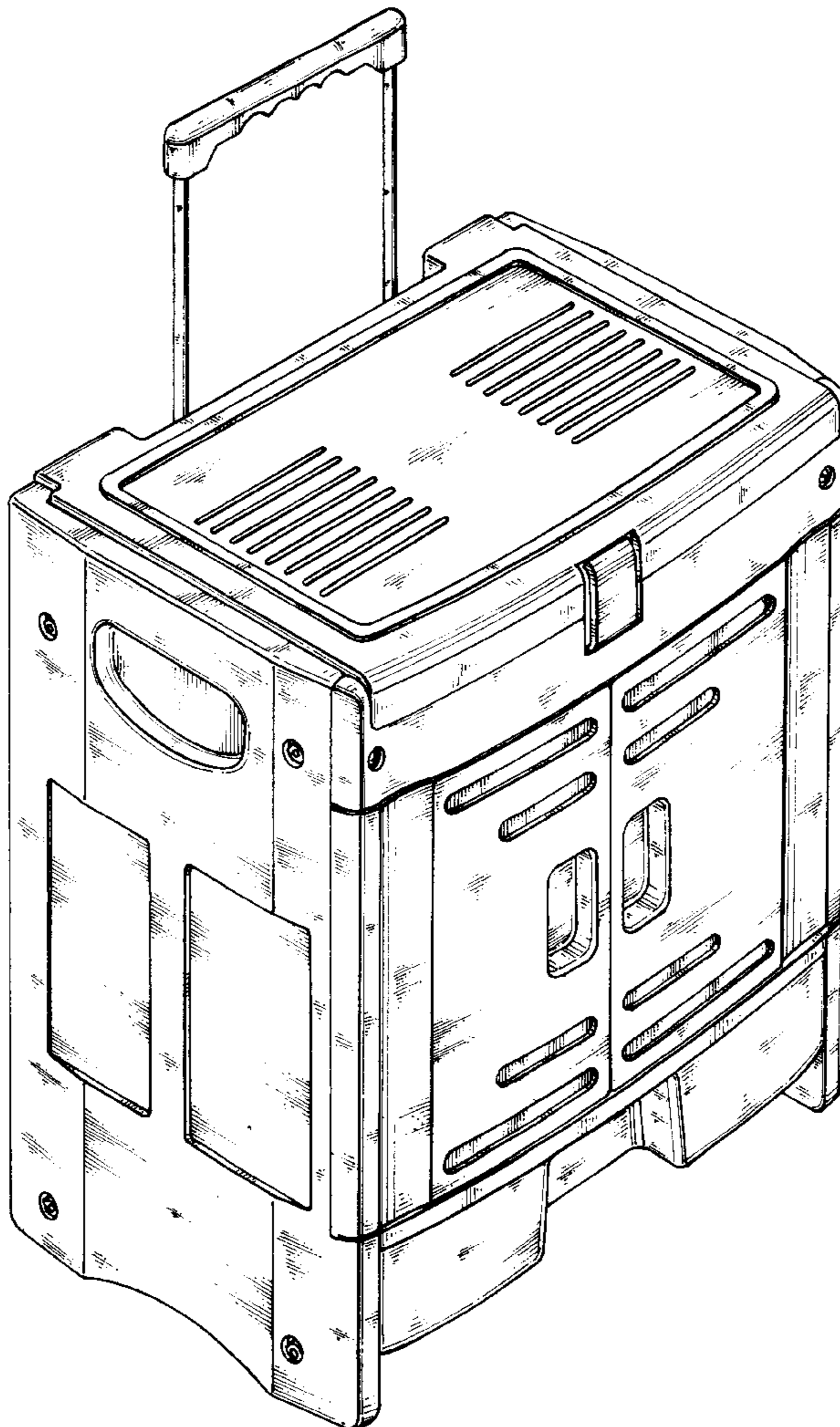
FIG. 3 is a rear elevational view thereof;

FIG. 4 is a side elevational view thereof, the opposite side being a mirror image of that shown;

FIG. 5 is a top plan view thereof; and,

FIG. 6 is a bottom plan view thereof.

1 Claim, 5 Drawing Sheets



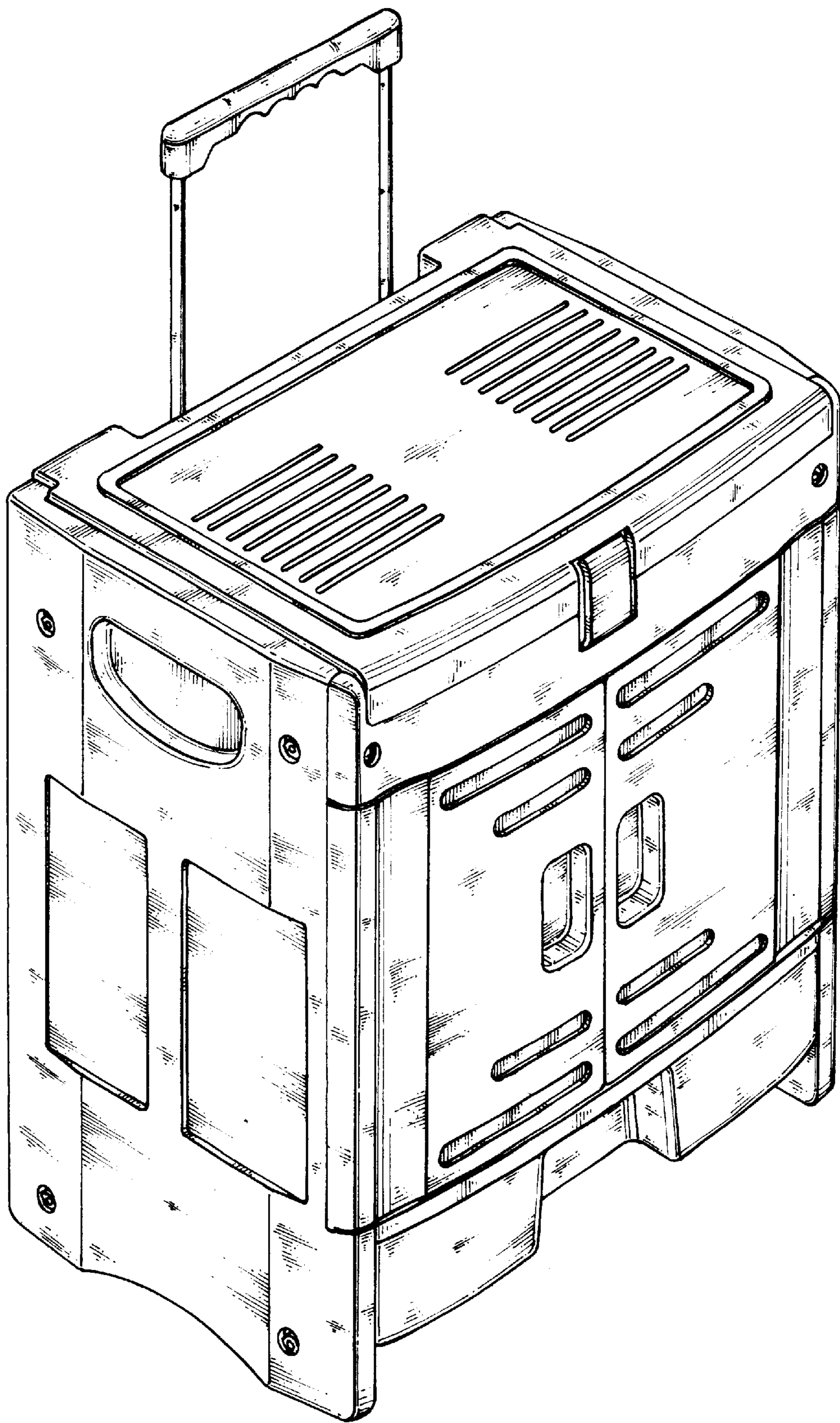


Fig . 1

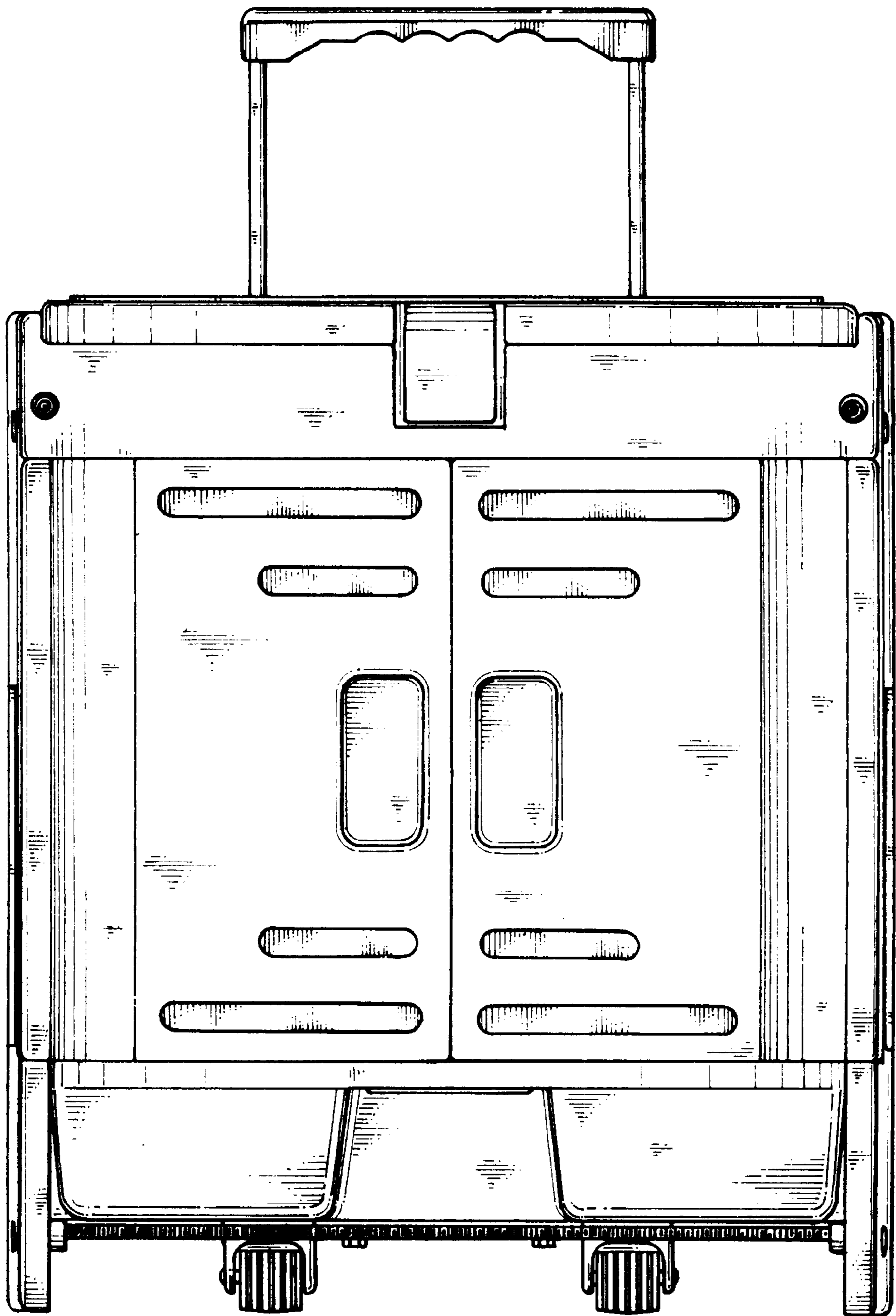


Fig . 2

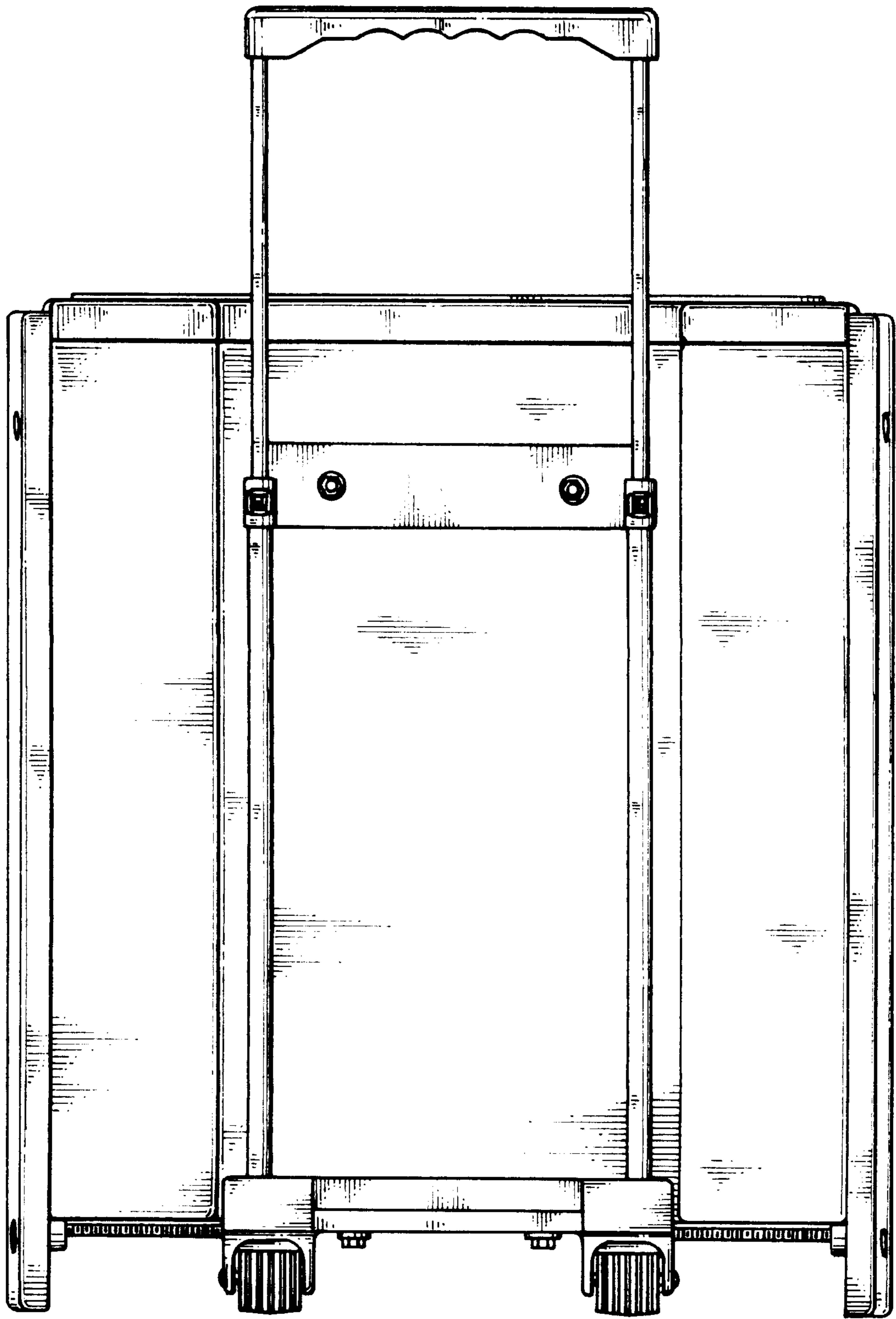


Fig . 3

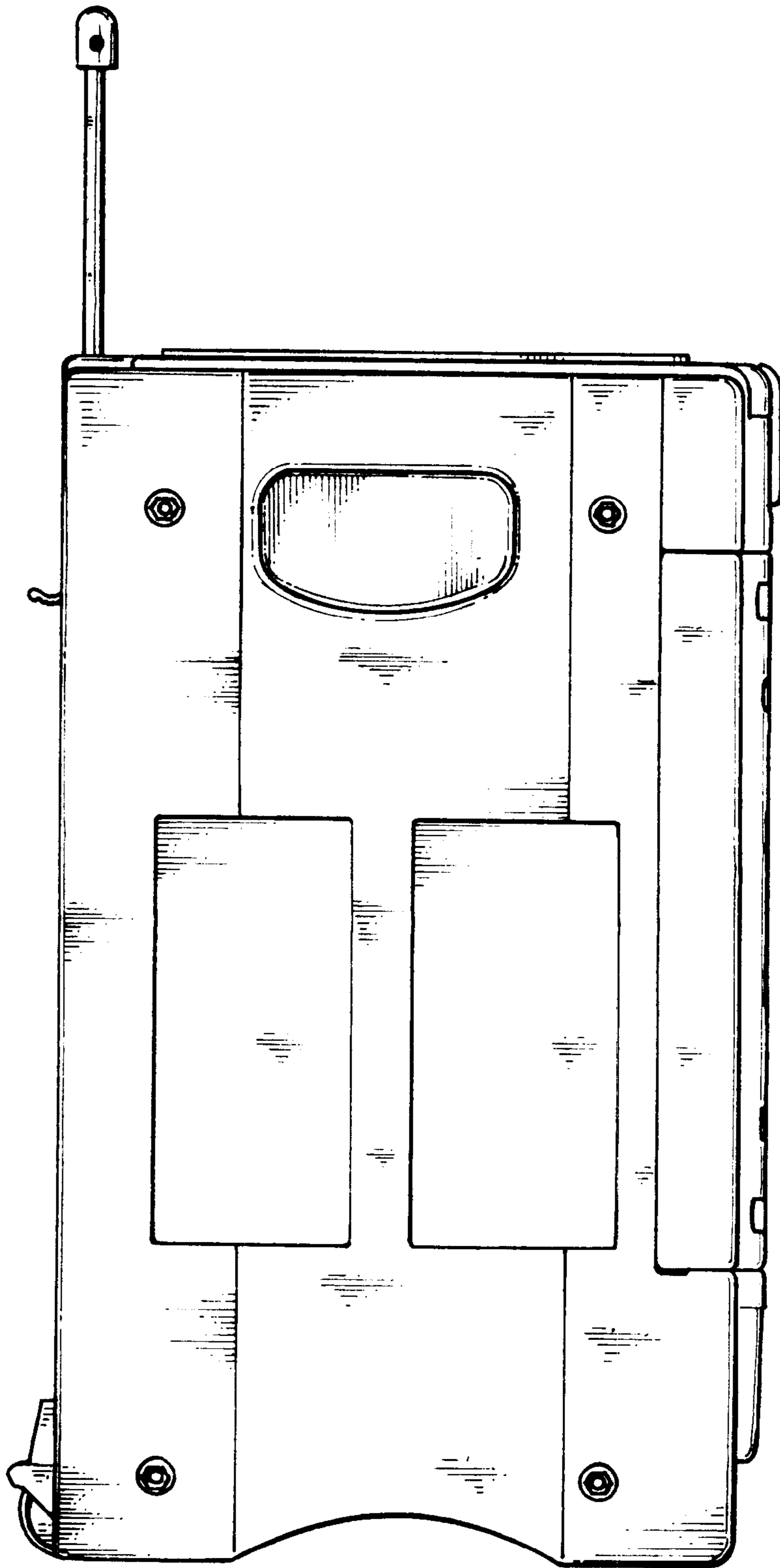


Fig . 4

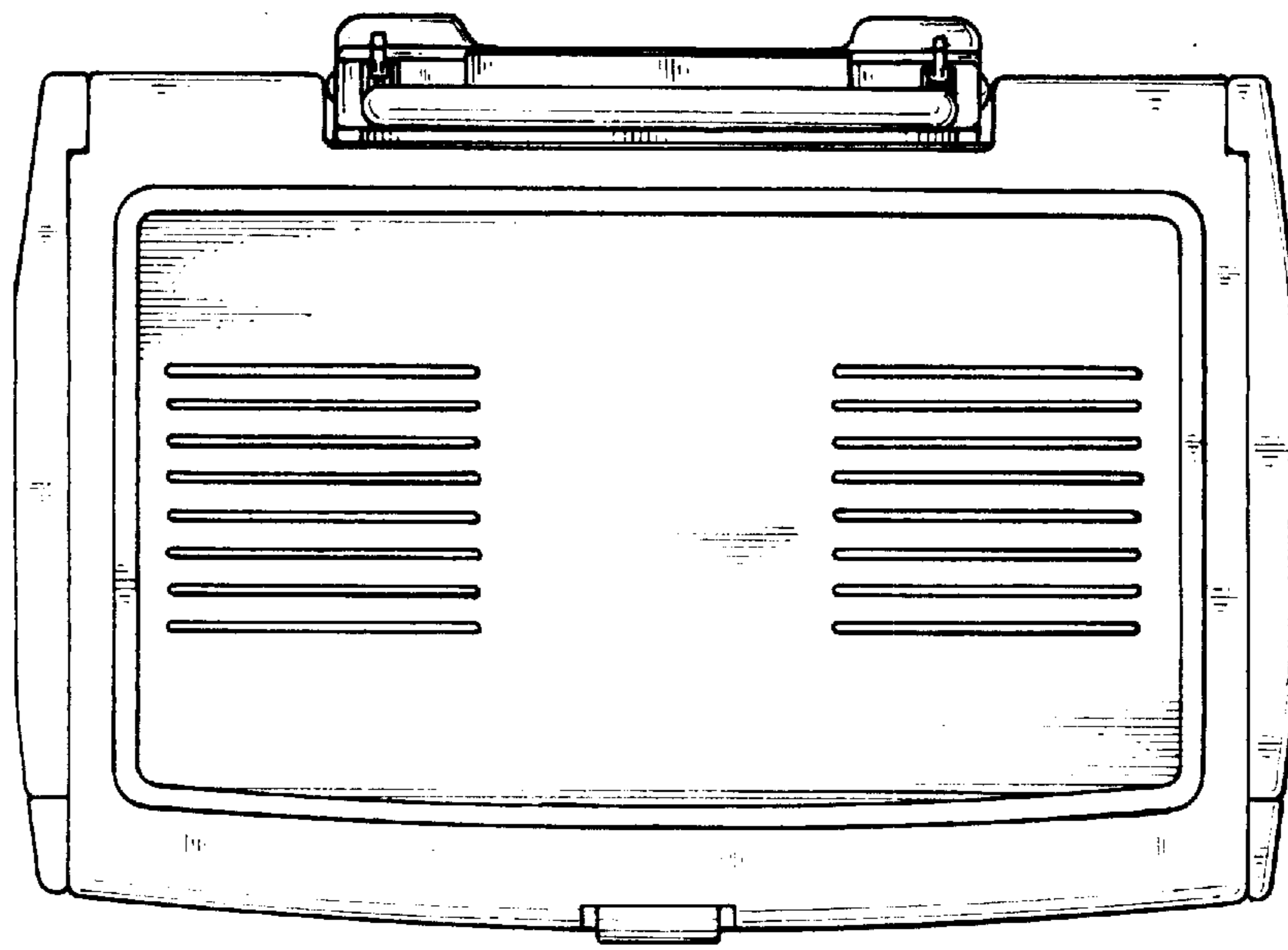


Fig . 5

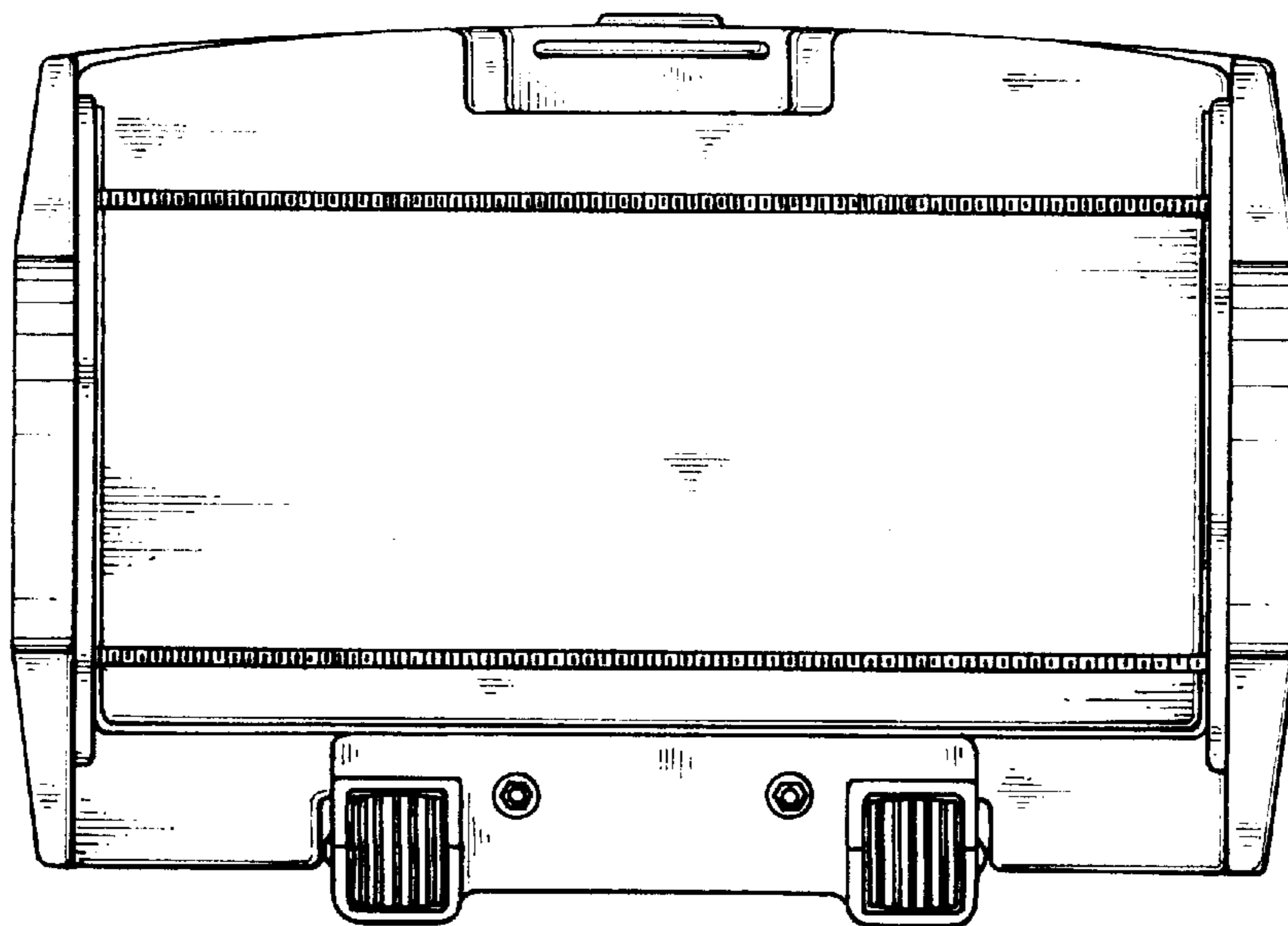


Fig . 6