



US00D462166S

(12) **United States Design Patent**
Chan

(10) **Patent No.:** **US D462,166 S**

(45) **Date of Patent:** **** Sep. 3, 2002**

(54) **EYEGLOSS CLIP (IV)**

D448,563 S * 10/2001 Kim D3/266

(76) Inventor: **Li-Li Chan**, 5th Fl., No. 15, Lane 155,
Kuang Fu N. Road, Taipei (TW)

* cited by examiner

(**) Term: **14 Years**

Primary Examiner—Catherine R. Oliver
(74) *Attorney, Agent, or Firm*—Rosenberg, Klein & Lee

(21) Appl. No.: **29/146,762**

(57) **CLAIM**

(22) Filed: **Aug. 16, 2001**

The ornamental design for eyeglass clip (IV), as shown and described.

(51) **LOC (7) Cl.** **03-01**

DESCRIPTION

(52) **U.S. Cl.** **D3/219; D3/266; D12/417**

FIG. 1 is a perspective view of eyeglass clip (IV) showing my new design;

(58) **Field of Search** D3/219, 266, 265,

FIG. 2 is a front elevation view thereof;

D3/263, 264; D16/130; 206/5, 5.1; 248/902;

FIG. 3 is a rear elevation view thereof;

D12/417; D19/65; 351/111, 112; D21/712

FIG. 4 is a left side elevation view thereof;

(56) **References Cited**

FIG. 5 is a right side elevation view thereof;

U.S. PATENT DOCUMENTS

FIG. 6 is a top plan view thereof;

D401,293 S * 11/1998 Alarid, Jr. D21/712

FIG. 7 is an bottom plan view thereof; and,

D437,113 S * 2/2001 Koehler D3/219

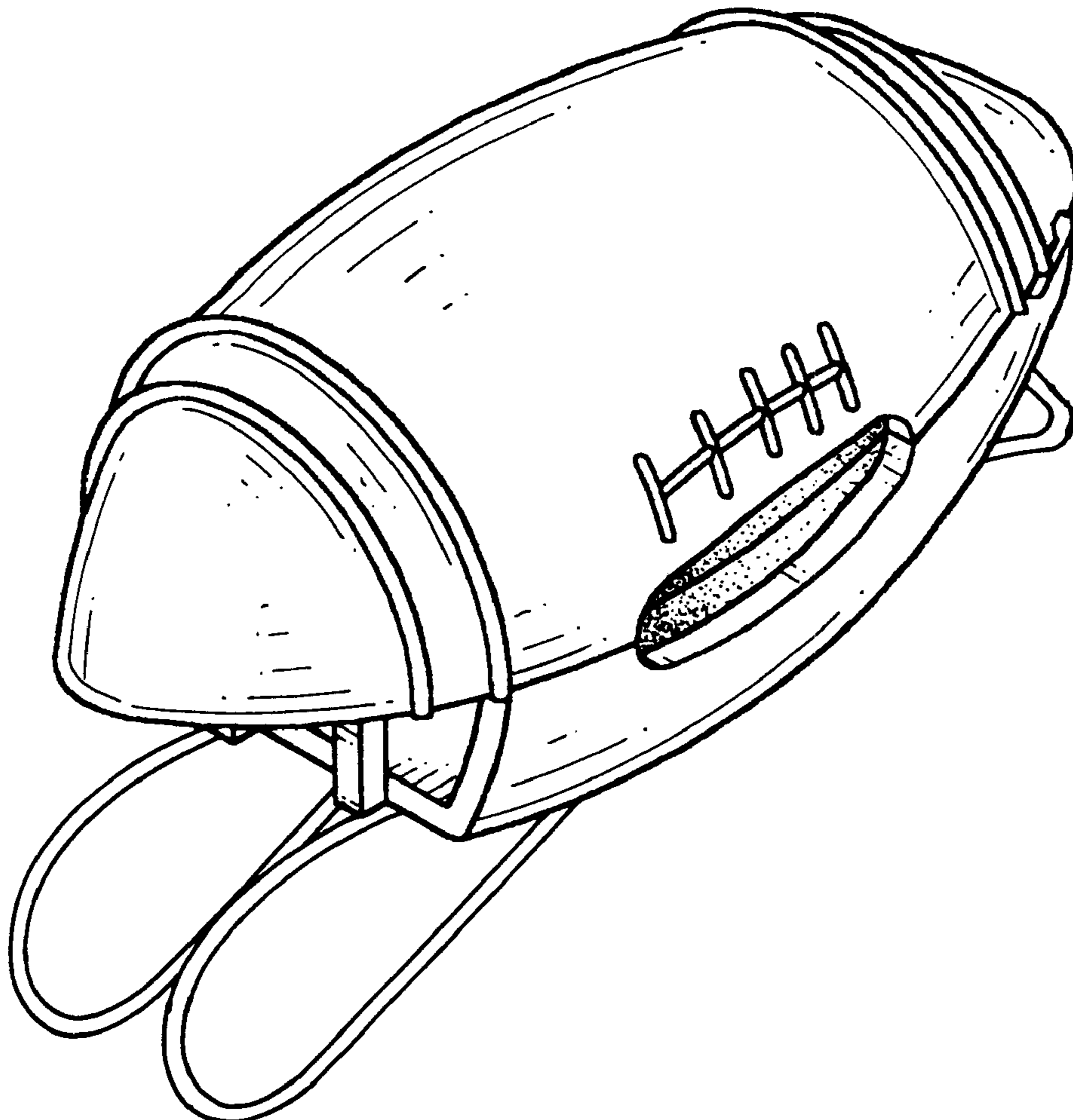
FIG. 8 is a perspective view thereof, the broken lines shown are for illustrative purposes only and form no part of the claimed design.

D438,001 S * 2/2001 Lin D3/265

D440,400 S * 4/2001 Baldwin et al. D3/266

6,210,003 B1 * 4/2001 Chan 351/112

1 Claim, 3 Drawing Sheets



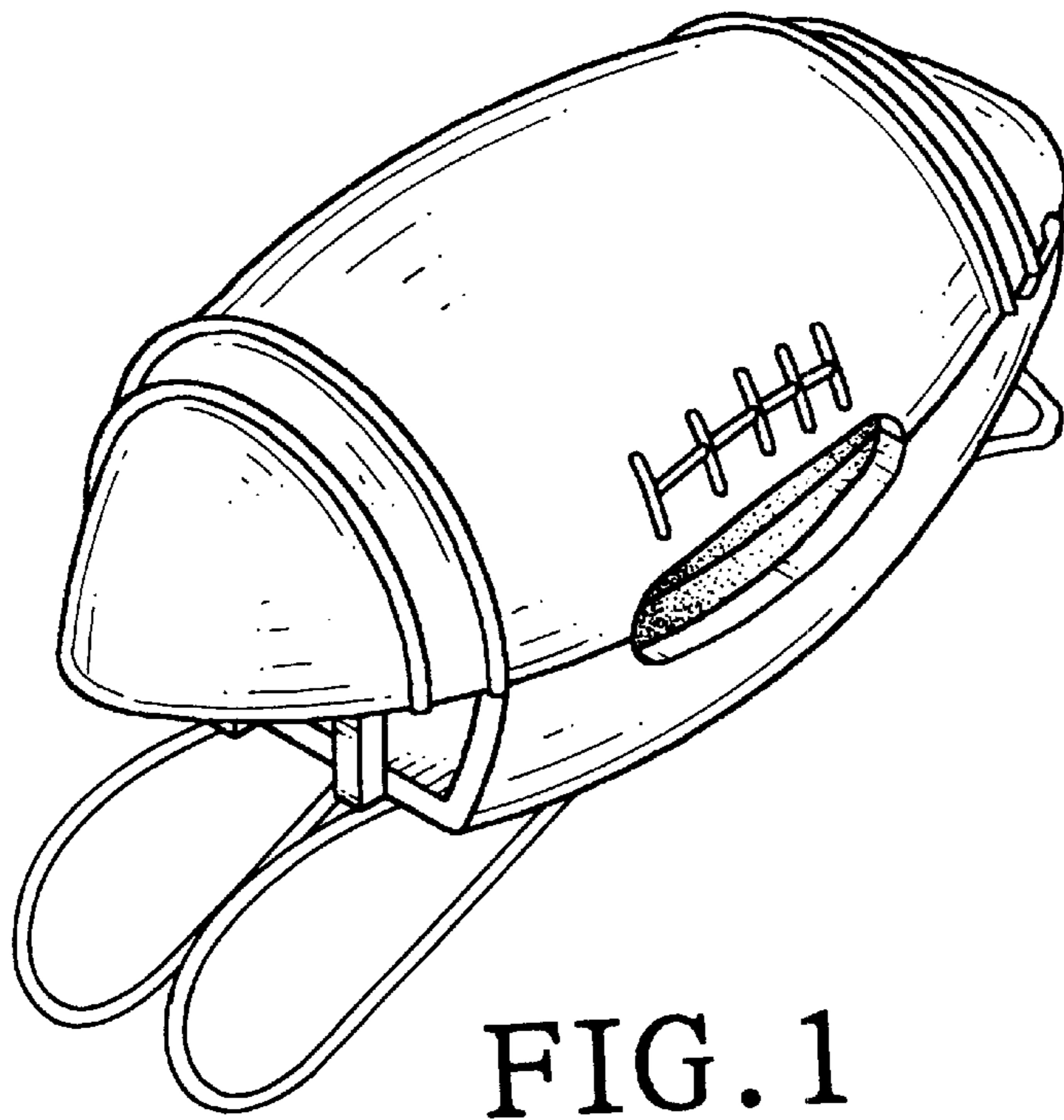


FIG. 1

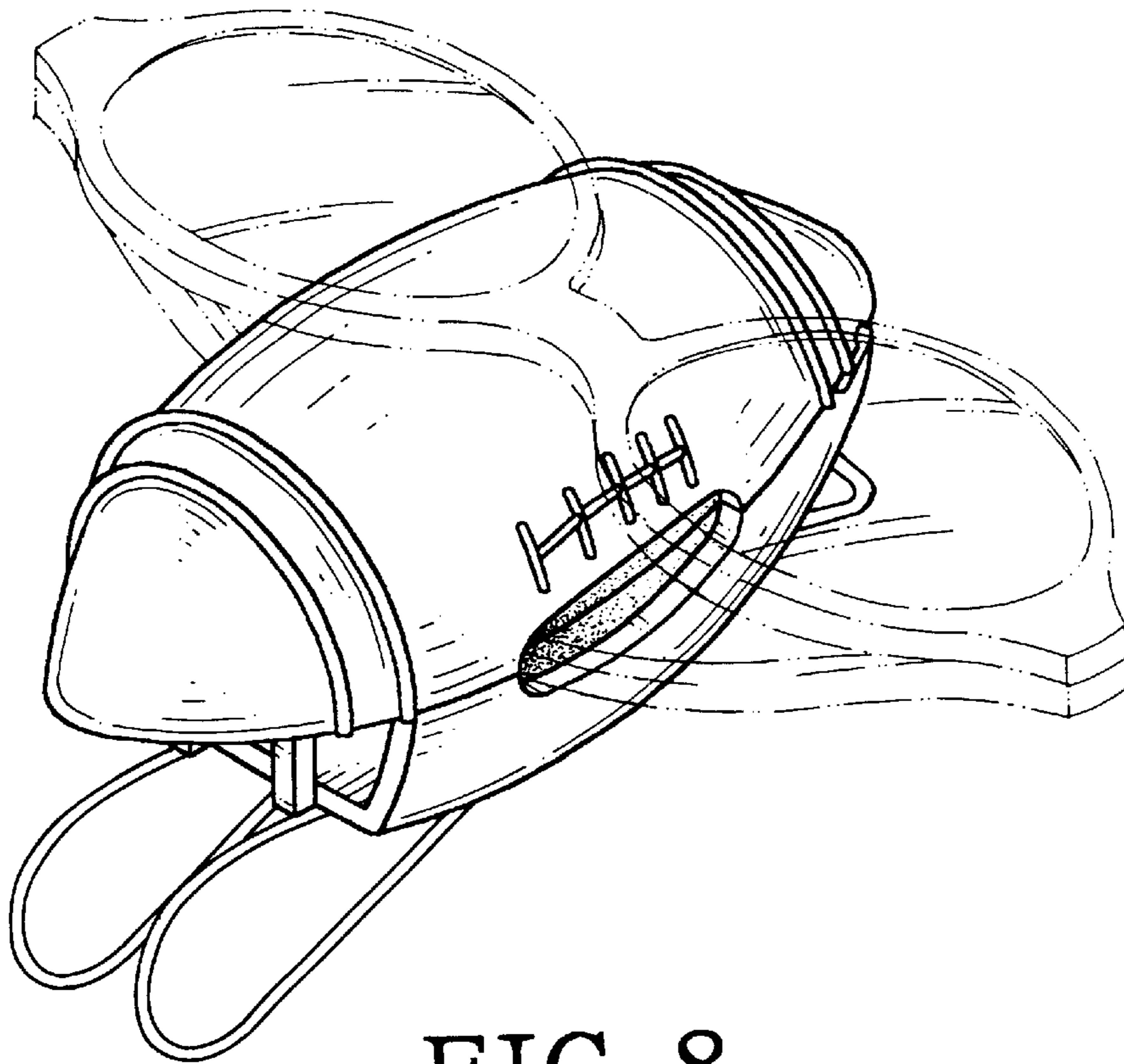


FIG. 8

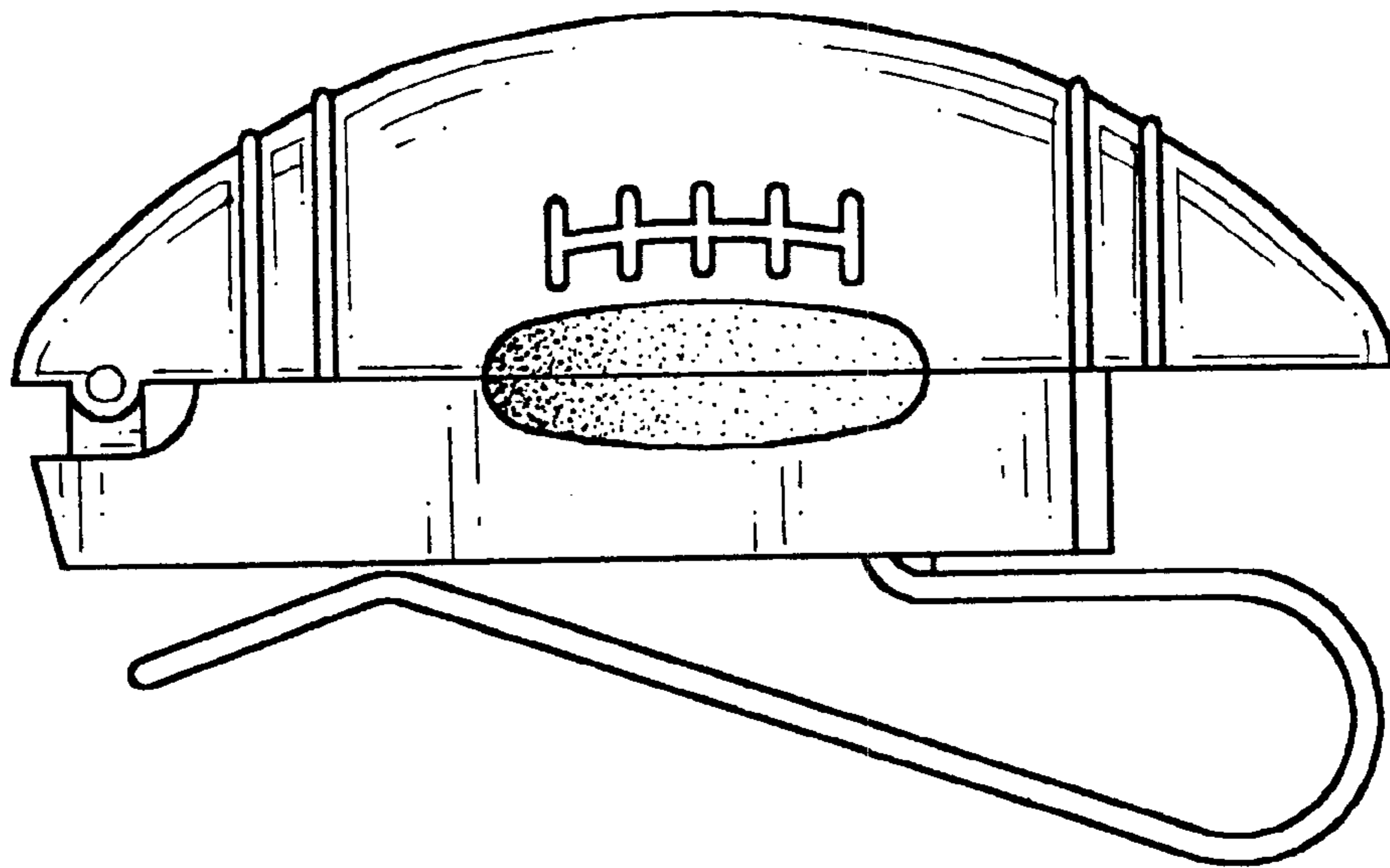


FIG. 3

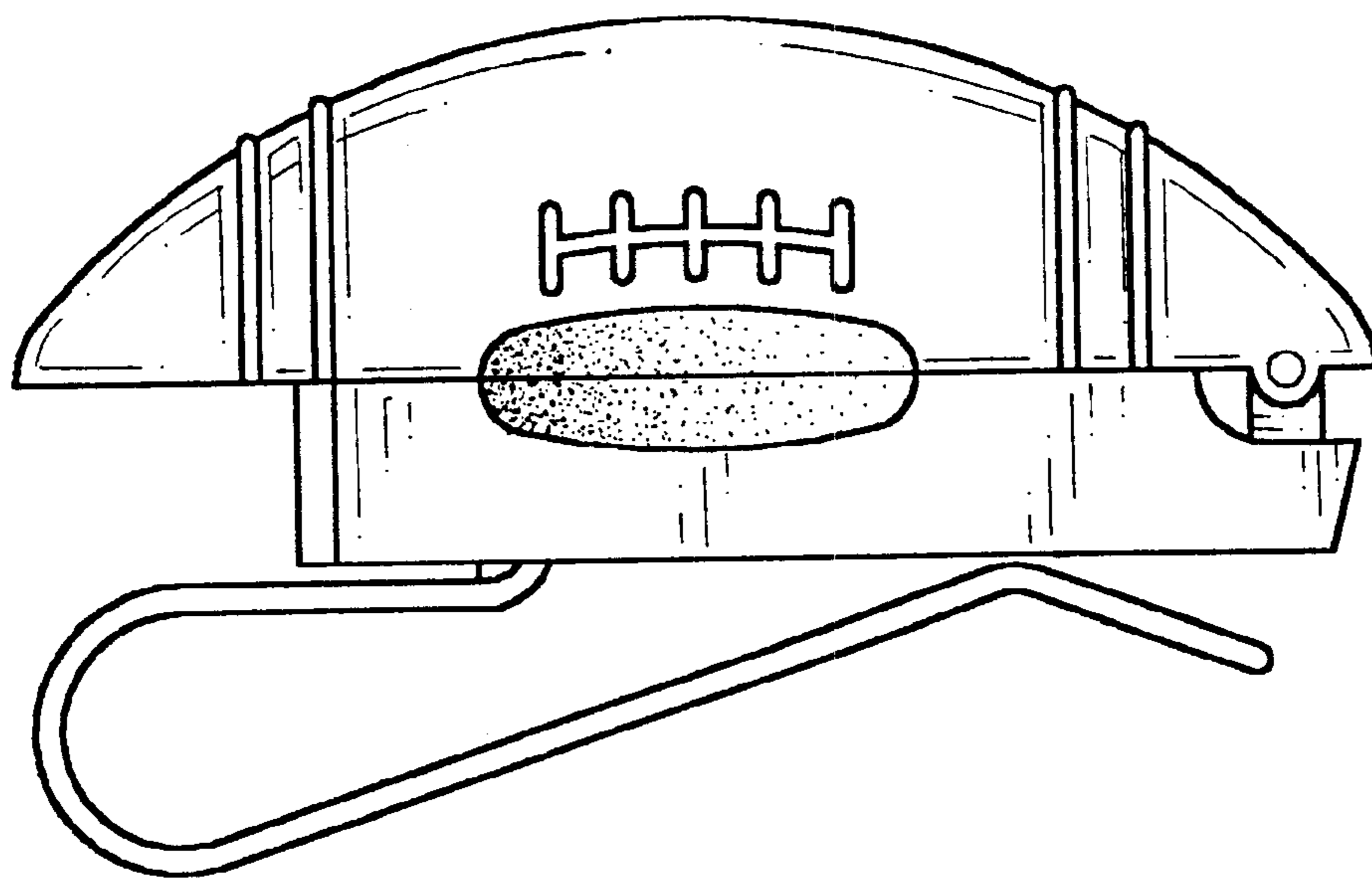


FIG. 2

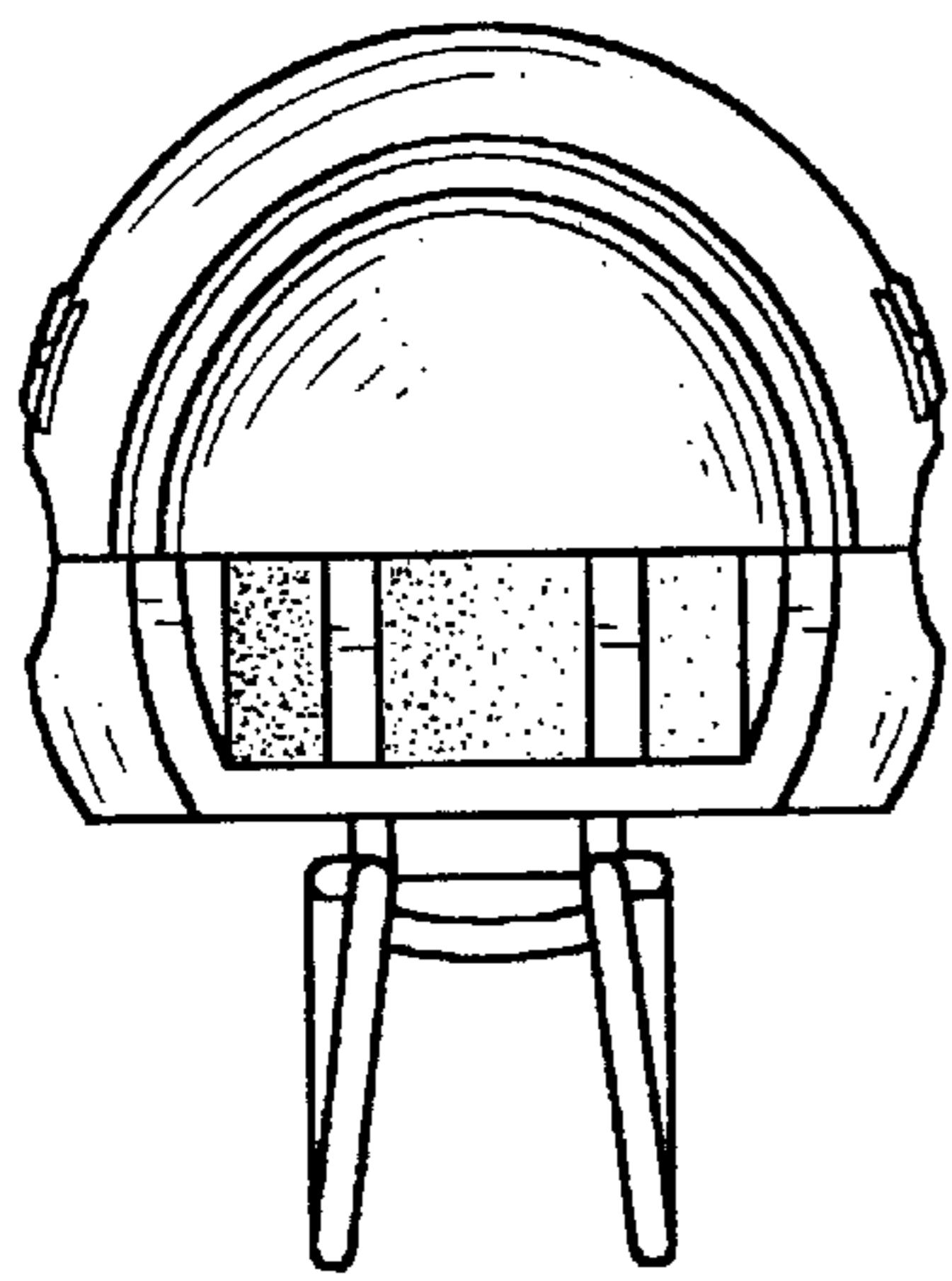


FIG. 4

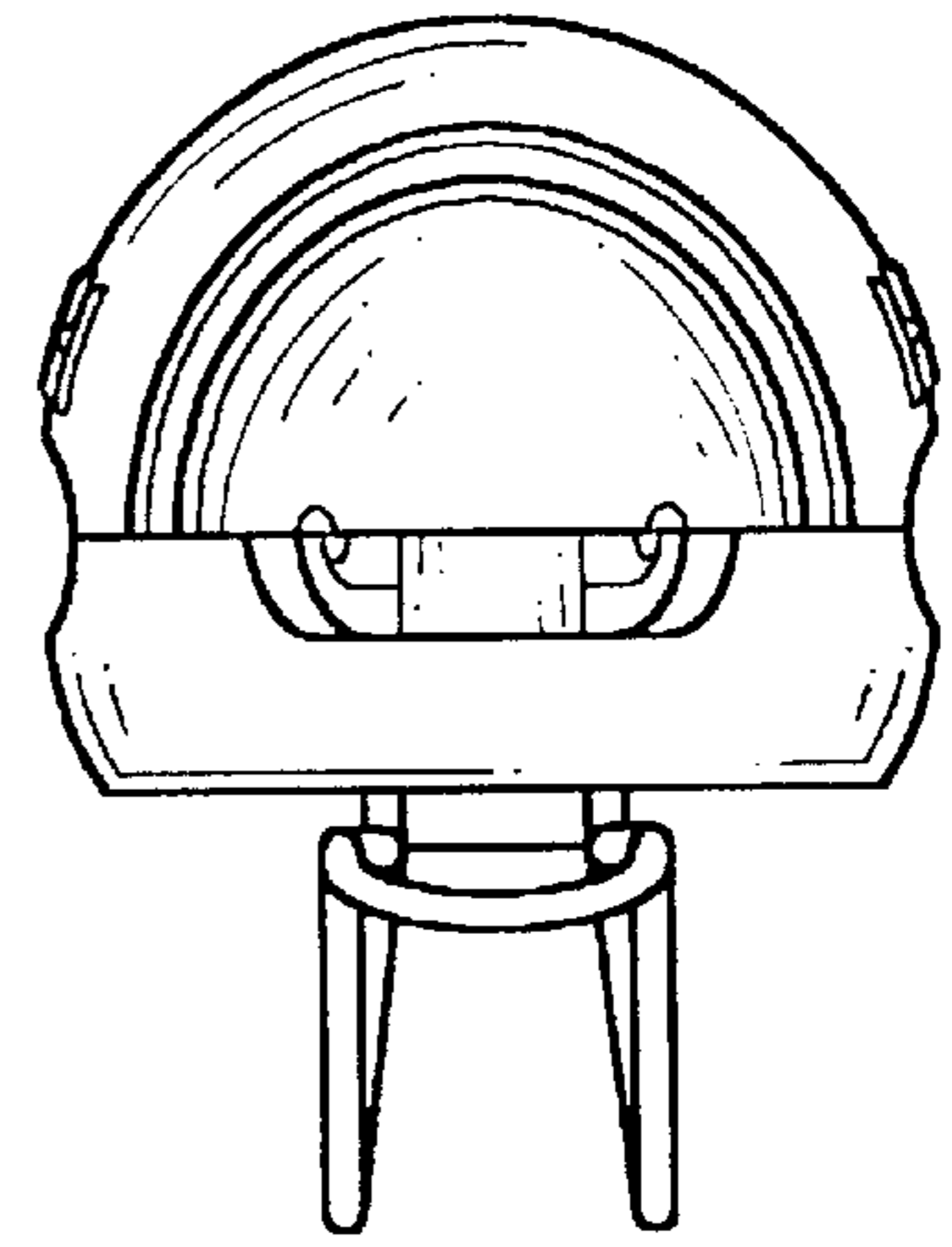


FIG. 5

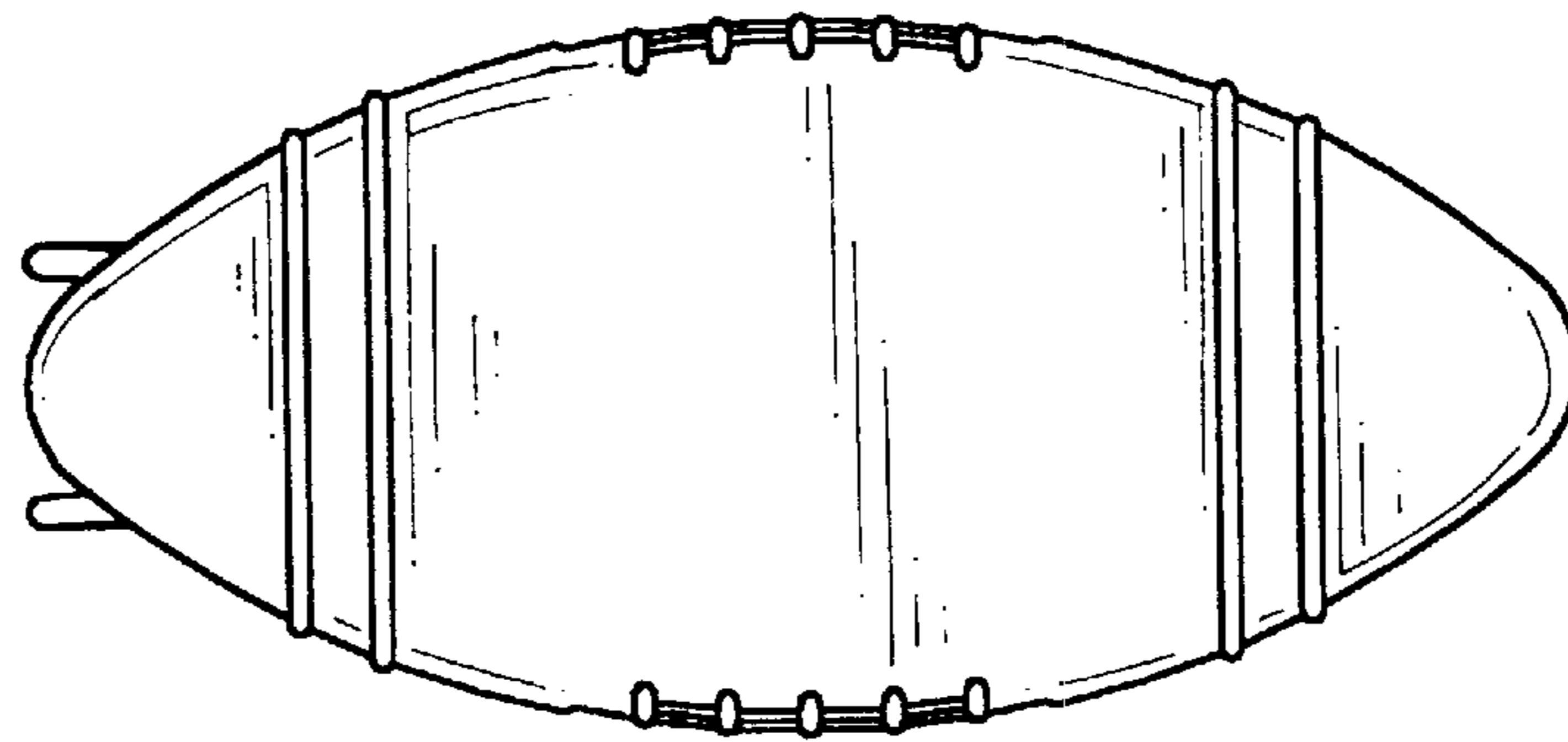


FIG. 6

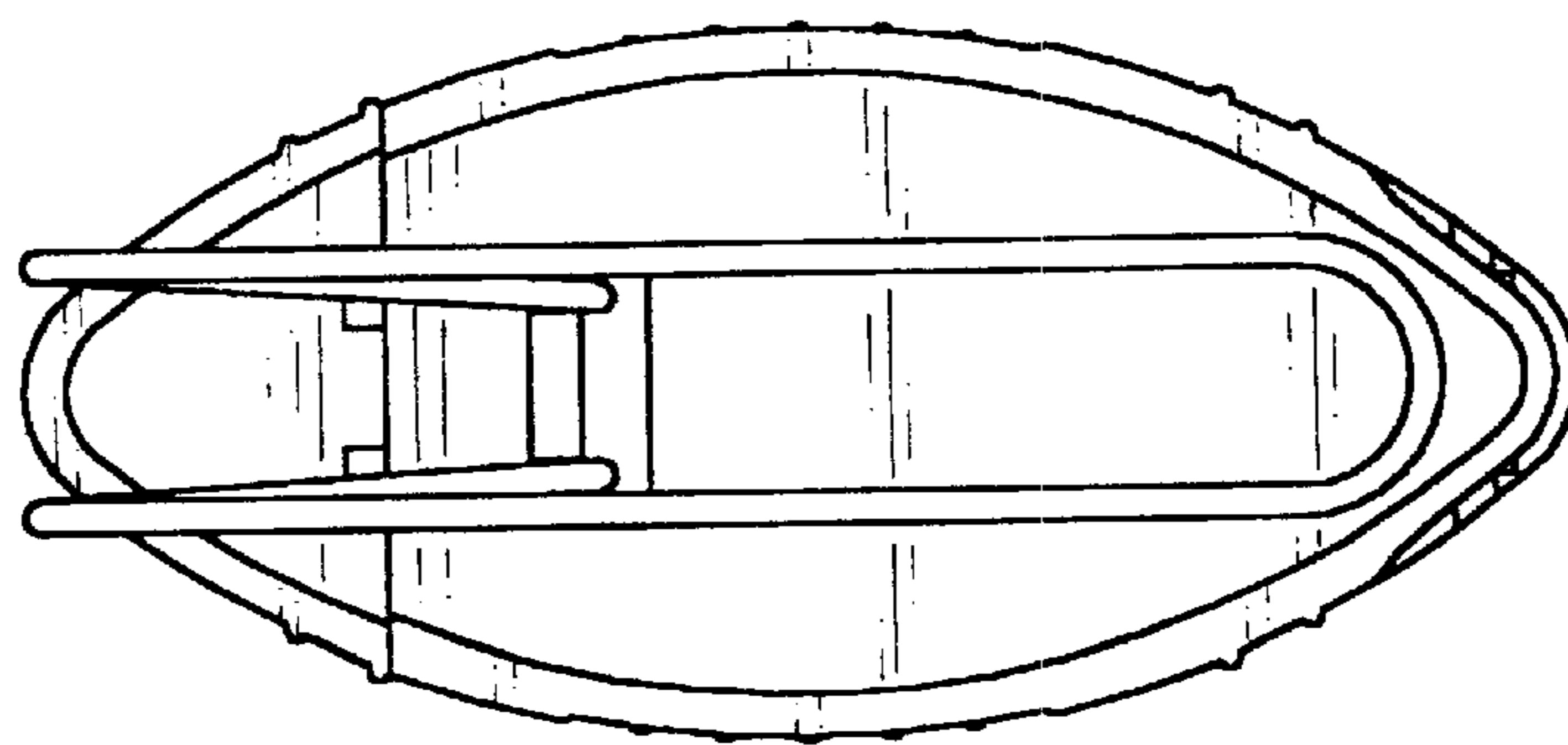


FIG. 7