



US00D462165S

(12) **United States Design Patent** (10) **Patent No.:** **US D462,165 S**  
**Bello, Jr.** (45) **Date of Patent:** **\*\* Sep. 3, 2002**

(54) **COMBINED CARRYING CASE FOR A COMPACT DISC PLAYER AND COMPACT DISCS**

(76) Inventor: **Roberto Bello, Jr.**, 7851 MacDonald #6, Huntington Beach, CA (US) 92647

(\*\*) Term: **14 Years**

(21) Appl. No.: **29/133,951**

(22) Filed: **Dec. 13, 2000**

(51) **LOC (7) Cl.** ..... **03-01**

(52) **U.S. Cl.** ..... **D3/218**

(58) **Field of Search** ..... D3/218, 215, 226, D3/232, 233; D6/407, 631-635; 206/308.1, 307, 308.3, 309, 311, 312

(56) **References Cited**

**U.S. PATENT DOCUMENTS**

6,012,575	A	*	1/2000	Eskandry	.....	206/308.1
D435,385	S	*	12/2000	Eskandry	.....	D6/633
D437,111	S	*	2/2001	Bergh	.....	D3/218
D437,521	S	*	2/2001	Leung	.....	D6/635

\* cited by examiner

*Primary Examiner*—Catherine R. Oliver  
(74) *Attorney, Agent, or Firm*—Goldstein Law Offices, P.C.

(57) **CLAIM**

The ornamental design for a combined carrying case for a compact disc player and compact discs, as shown and described.

**DESCRIPTION**

FIG. 1 is a perspective view of a combined carrying case for a compact disc player and compact discs in the open position.

FIG. 2 is a perspective view of the combined carrying case for a compact disc player and compact discs in the closed position.

FIG. 3 is a front elevational view thereof.

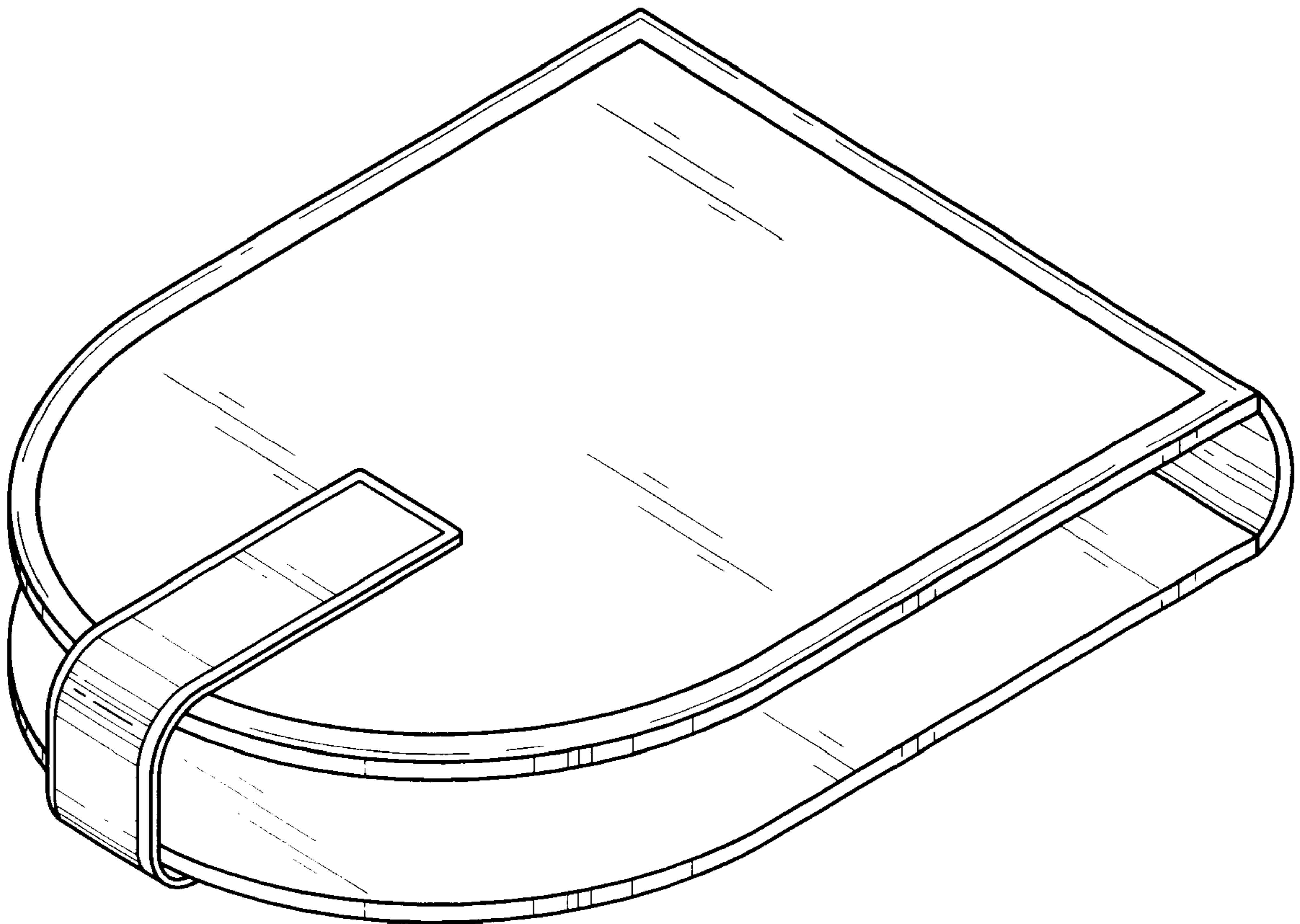
FIG. 4 is a rear elevational view thereof.

FIG. 5 is a right side elevational view thereof, the left side elevational view being a mirror image of the right side view.

FIG. 6 is a top plan view of the combined carrying case for a compact disc player and compact discs; and,

FIG. 7 is a bottom plan view thereof.

**1 Claim, 3 Drawing Sheets**



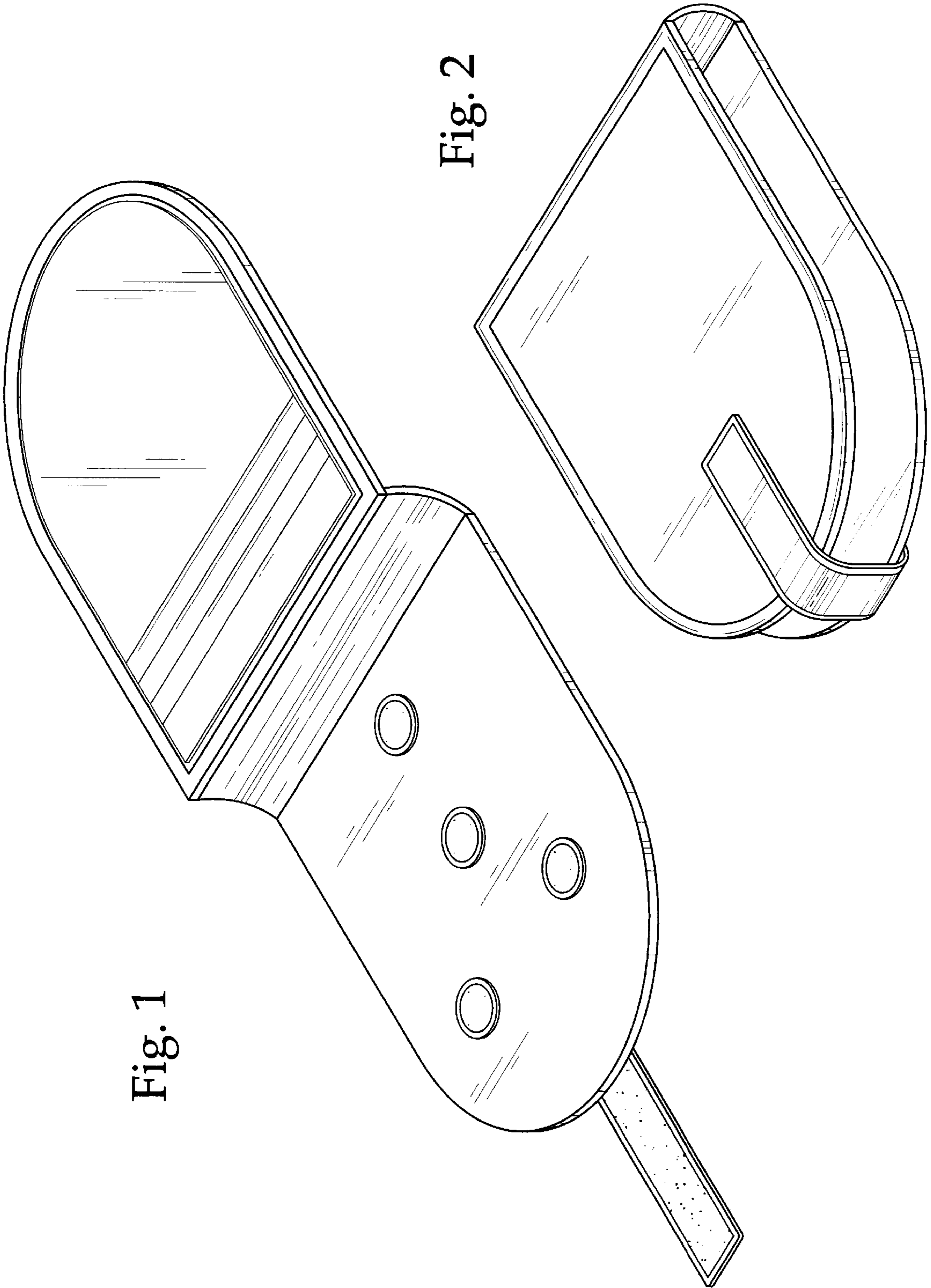


Fig. 1

Fig. 2

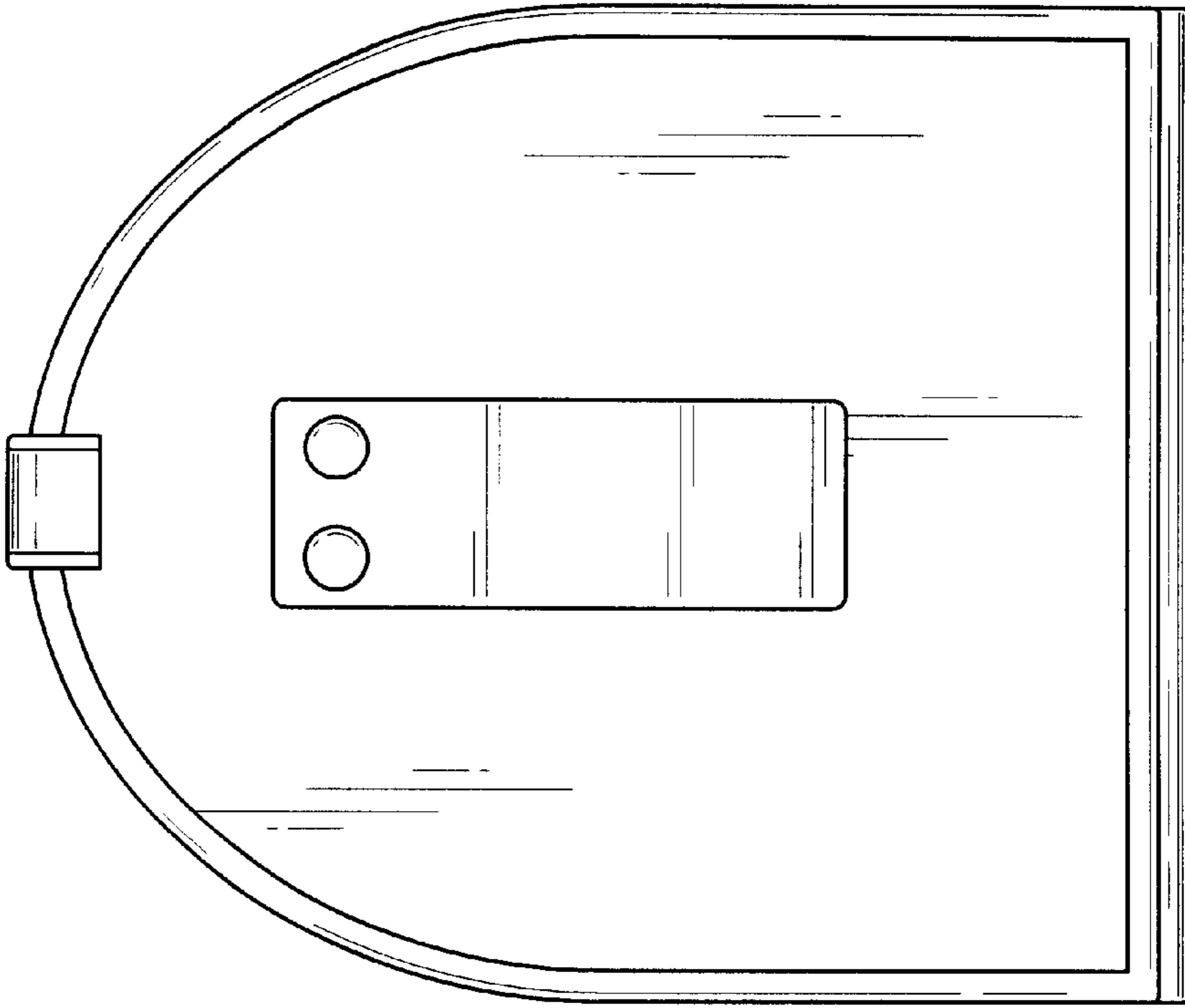


Fig. 3

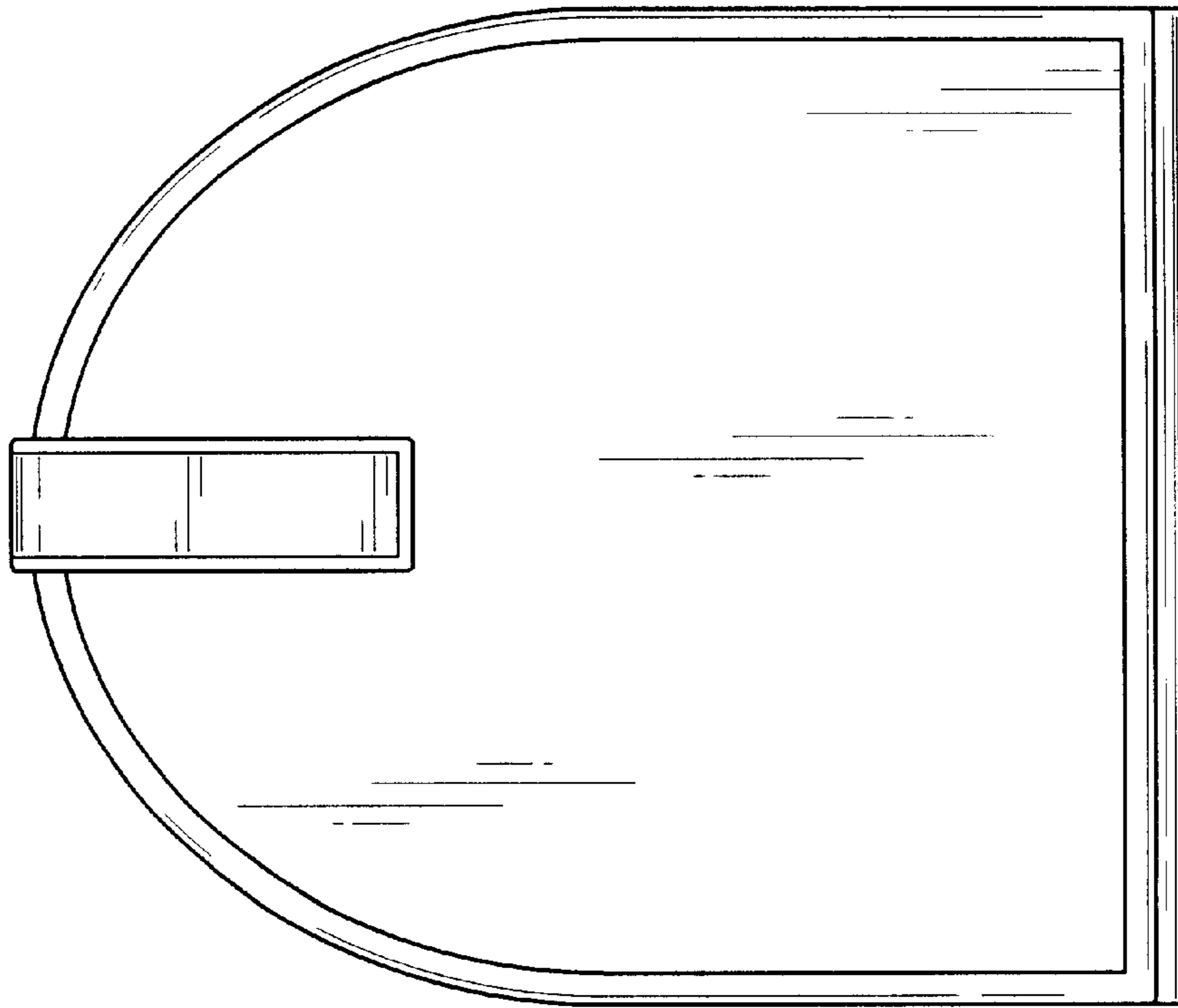


Fig. 4

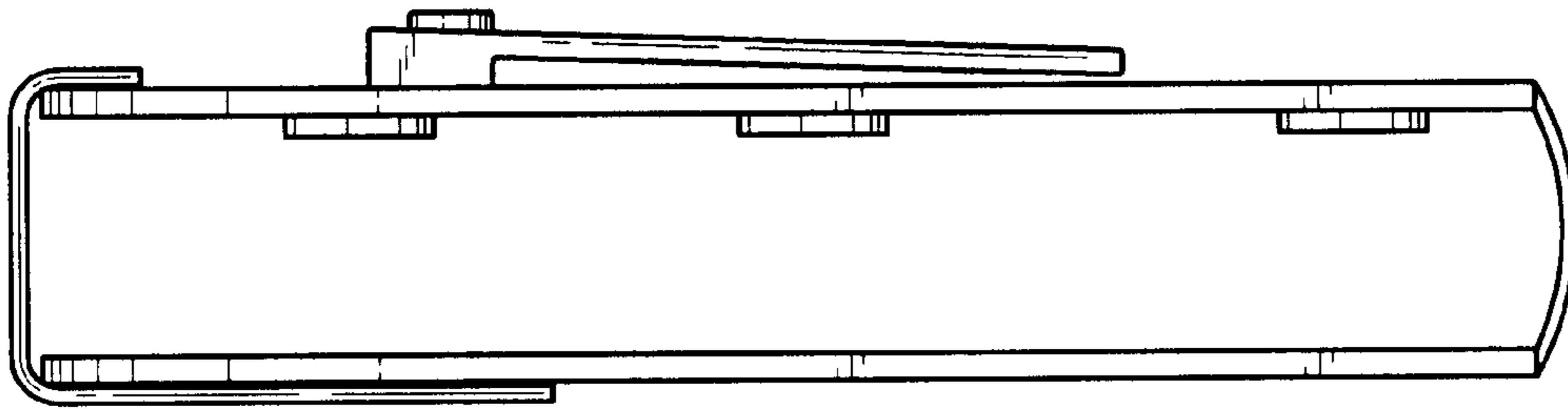


Fig. 5

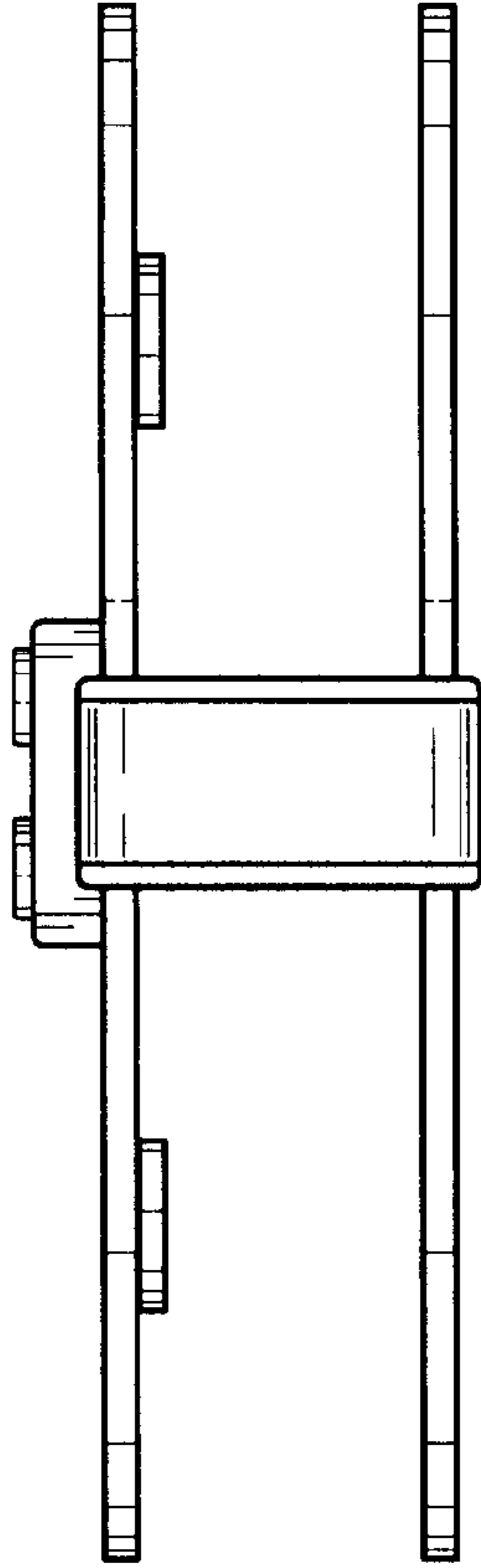


Fig. 6

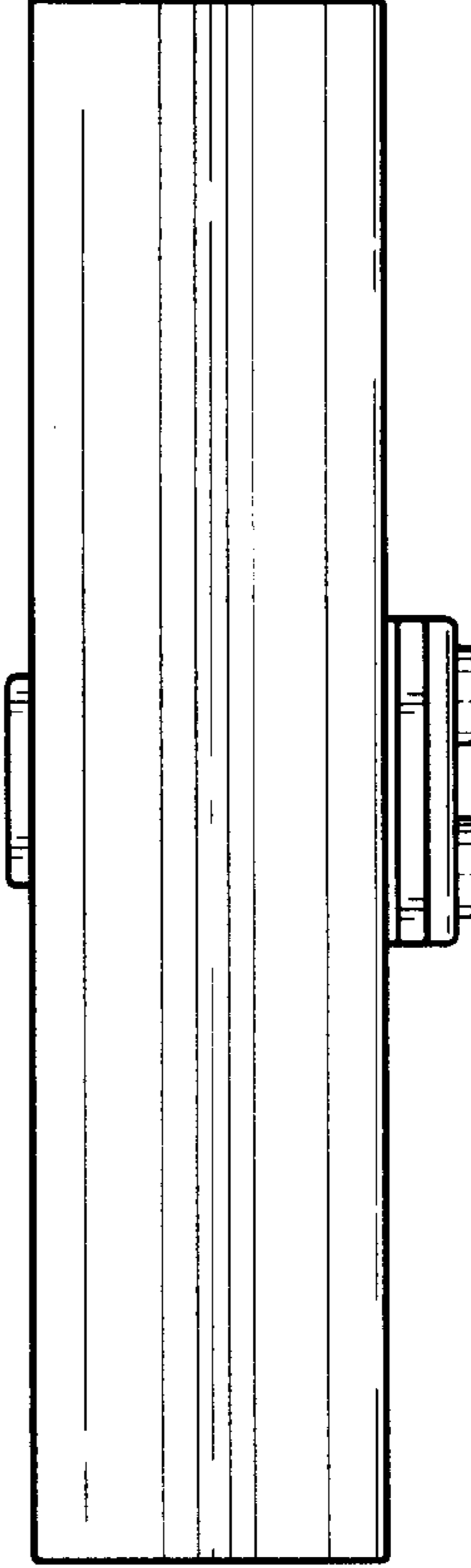


Fig. 7