



US00D462152S

(12) **United States Design Patent**
Liao

(10) **Patent No.:** **US D462,152 S**

(45) **Date of Patent:** **** Aug. 27, 2002**

(54) **GOLF CART**

D450,416 S * 11/2001 Liao D34/15

(75) Inventor: **Gordon Liao, Yung Kang (TW)**

* cited by examiner

(73) Assignee: **Unique Product & Design Co., Ltd.,
Tainan Hsien (TW)**

Primary Examiner—Kay H. Chin

(74) *Attorney, Agent, or Firm*—Pro-Techtor International
Services

(**) Term: **14 Years**

(57) **CLAIM**

(21) Appl. No.: **29/144,852**

The ornamental design for a golf cart, as shown and
described.

(22) Filed: **Jul. 10, 2001**

(51) **LOC (7) Cl.** **12-02**

(52) **U.S. Cl.** **D34/15**

(58) **Field of Search** D34/12-27; 280/39,
280/40, 645, 651, 652, 655, 47.17, 47.18,
47.131, 47.24, 47.315, 47.26, 47.27, DIG. 6,
646

DESCRIPTION

FIG. 1 is a perspective view of a golf cart showing my new
design;
FIG. 2 is a right side elevational view thereof;
FIG. 3 is a top plan view thereof;
FIG. 4 is a front elevational view thereof;
FIG. 5 is a bottom plan view thereof;
FIG. 6 is a left side elevational view thereof;
FIG. 7 is a rear elevational view thereof; and,
FIG. 8 is a perspective view thereof in its folded condition.

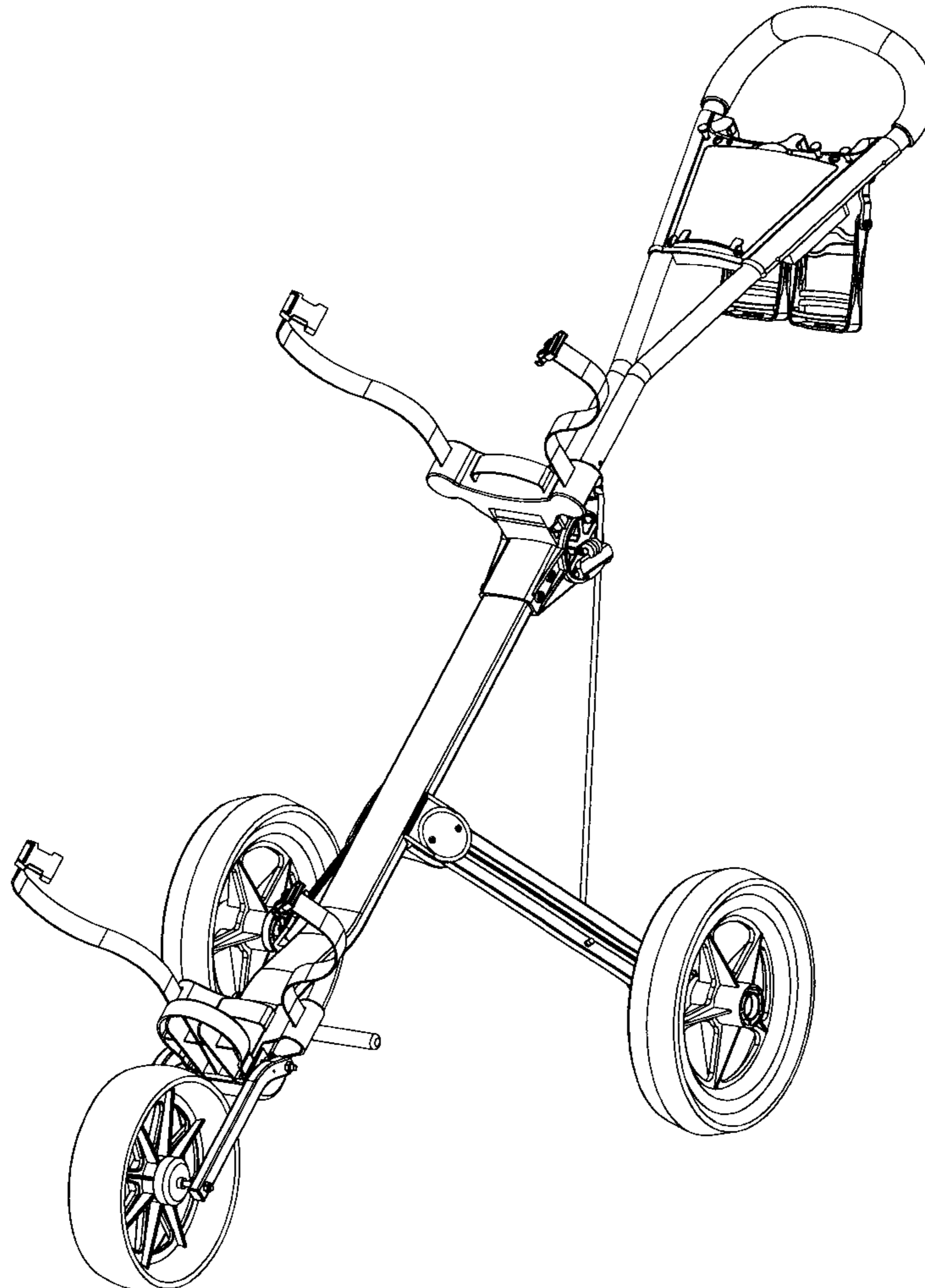
(56) **References Cited**

U.S. PATENT DOCUMENTS

D446,620 S * 8/2001 Liao D34/15

D450,415 S * 11/2001 Liao D34/15

1 Claim, 8 Drawing Sheets



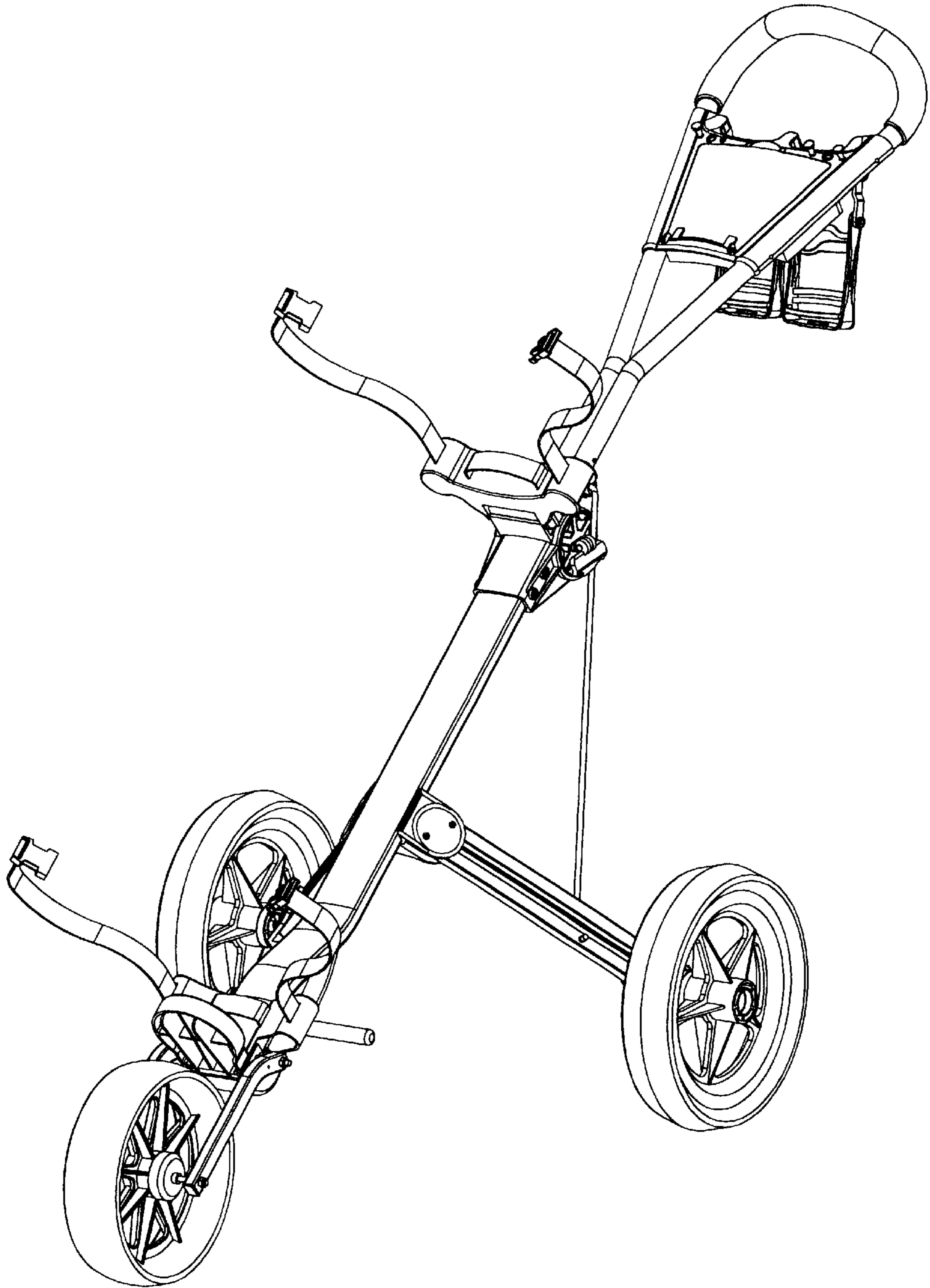


FIG. 1

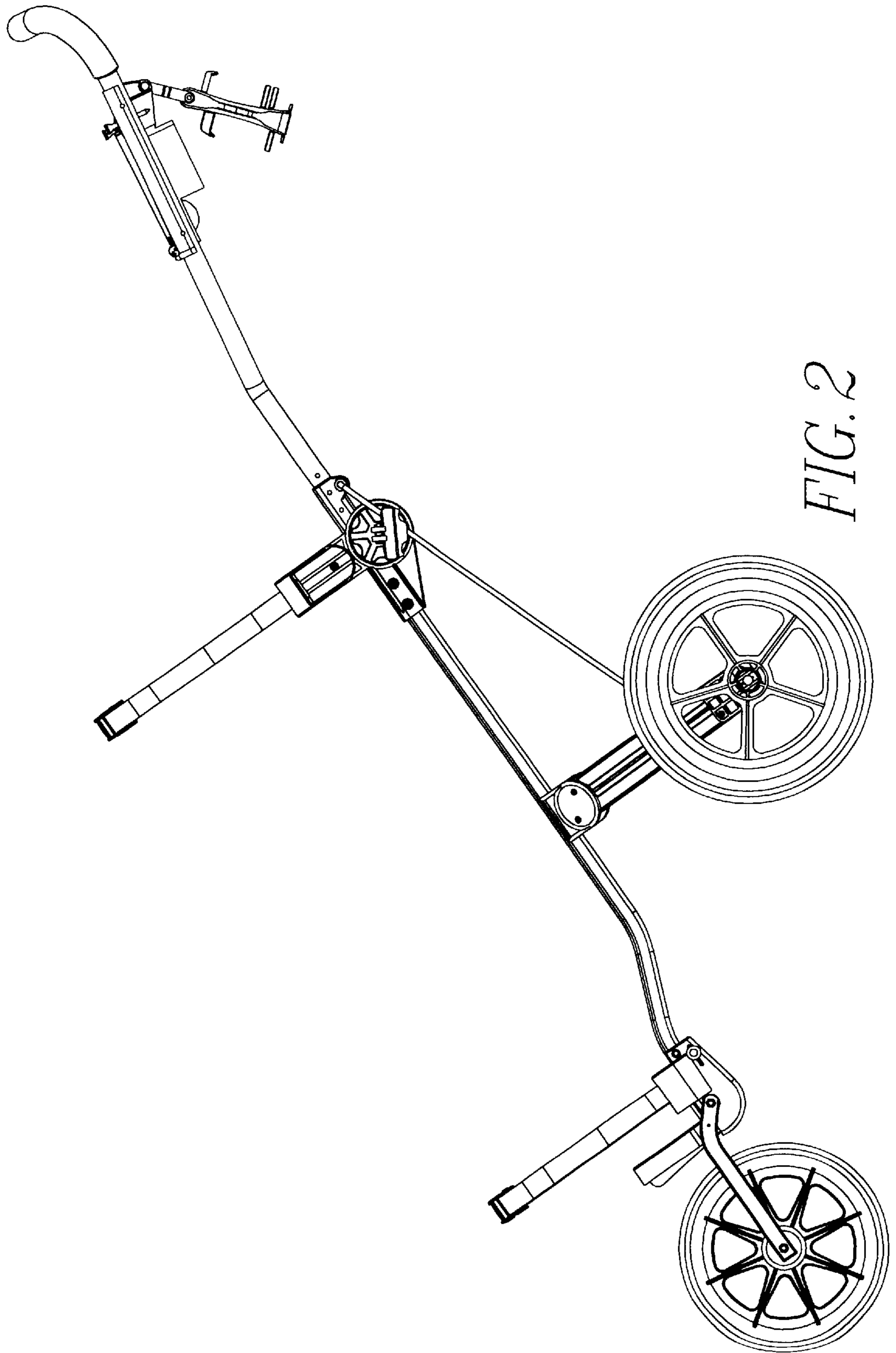


FIG. 2

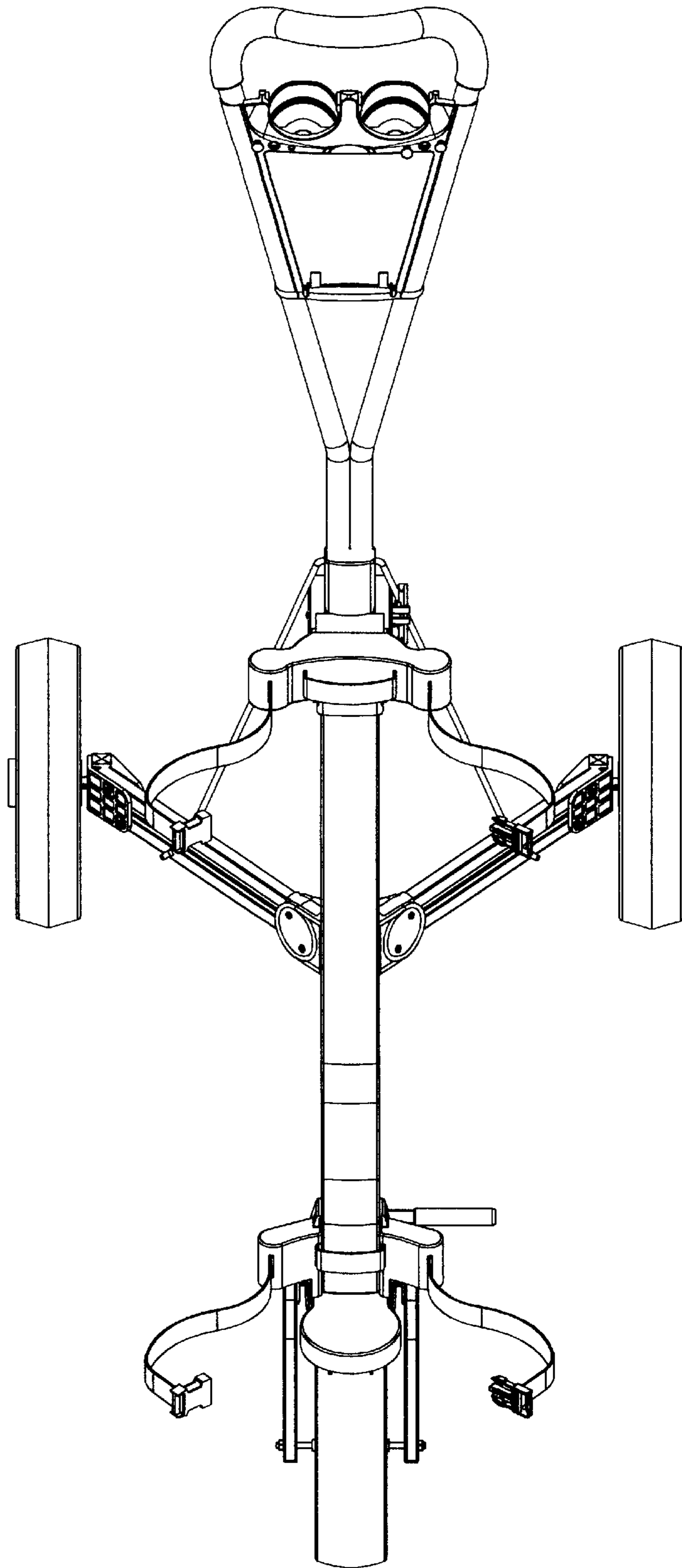


FIG. 3

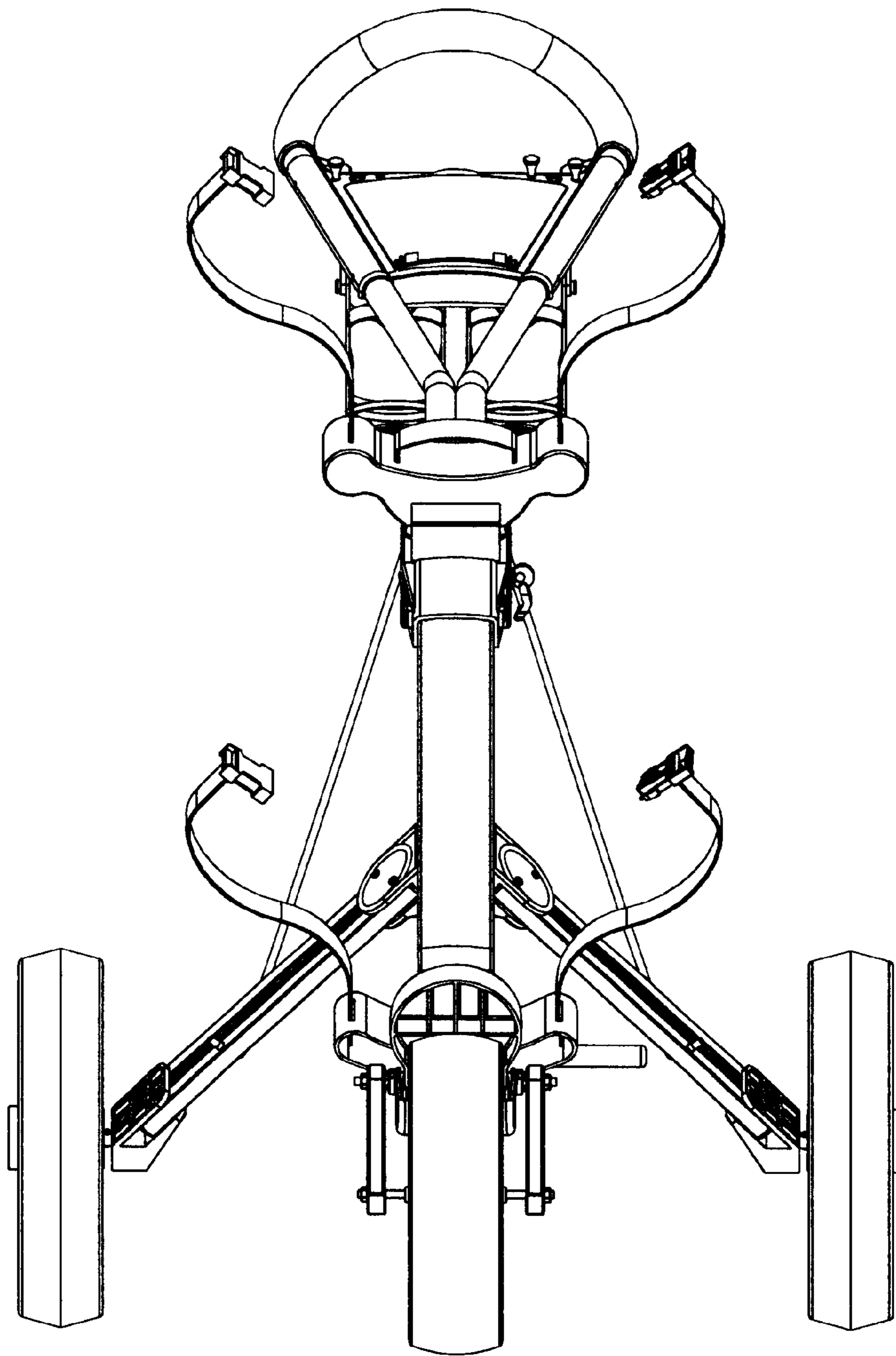


FIG. 4

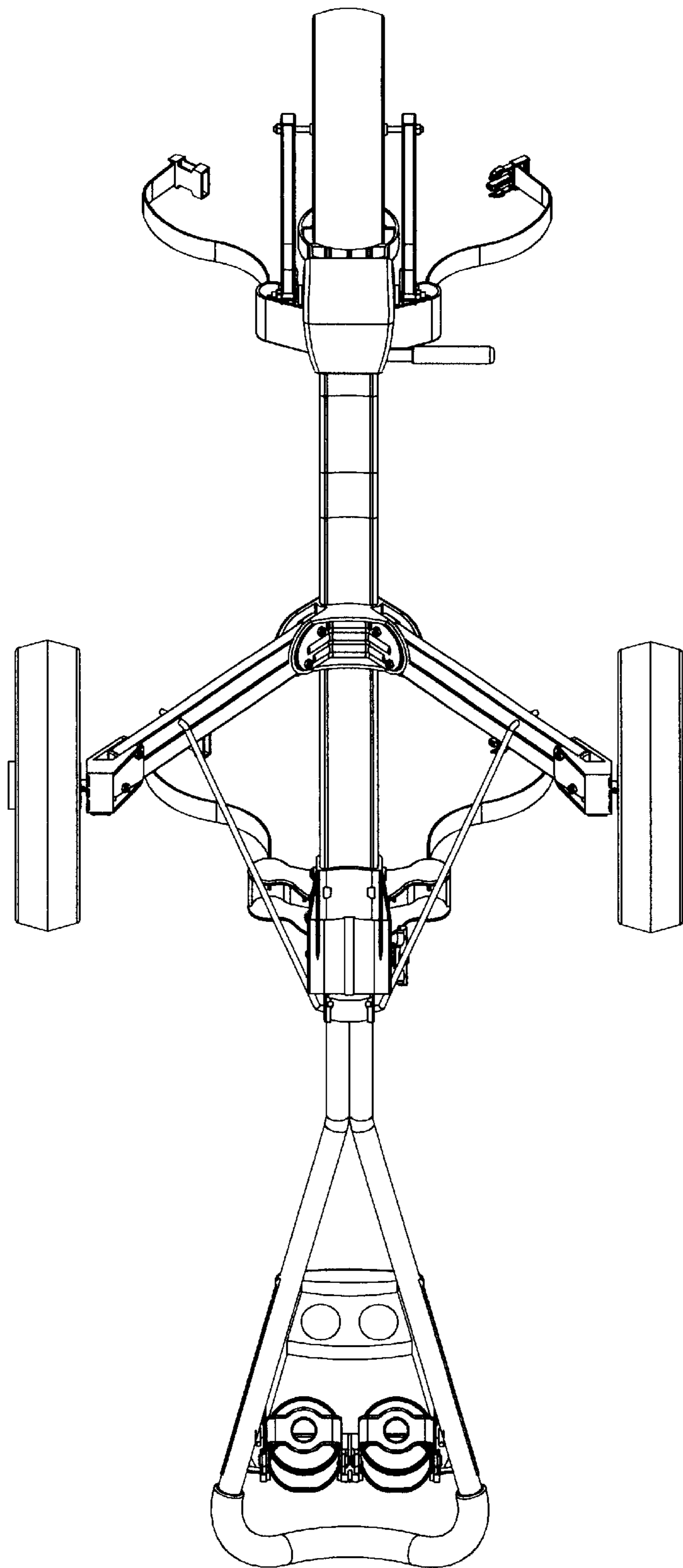


FIG. 5

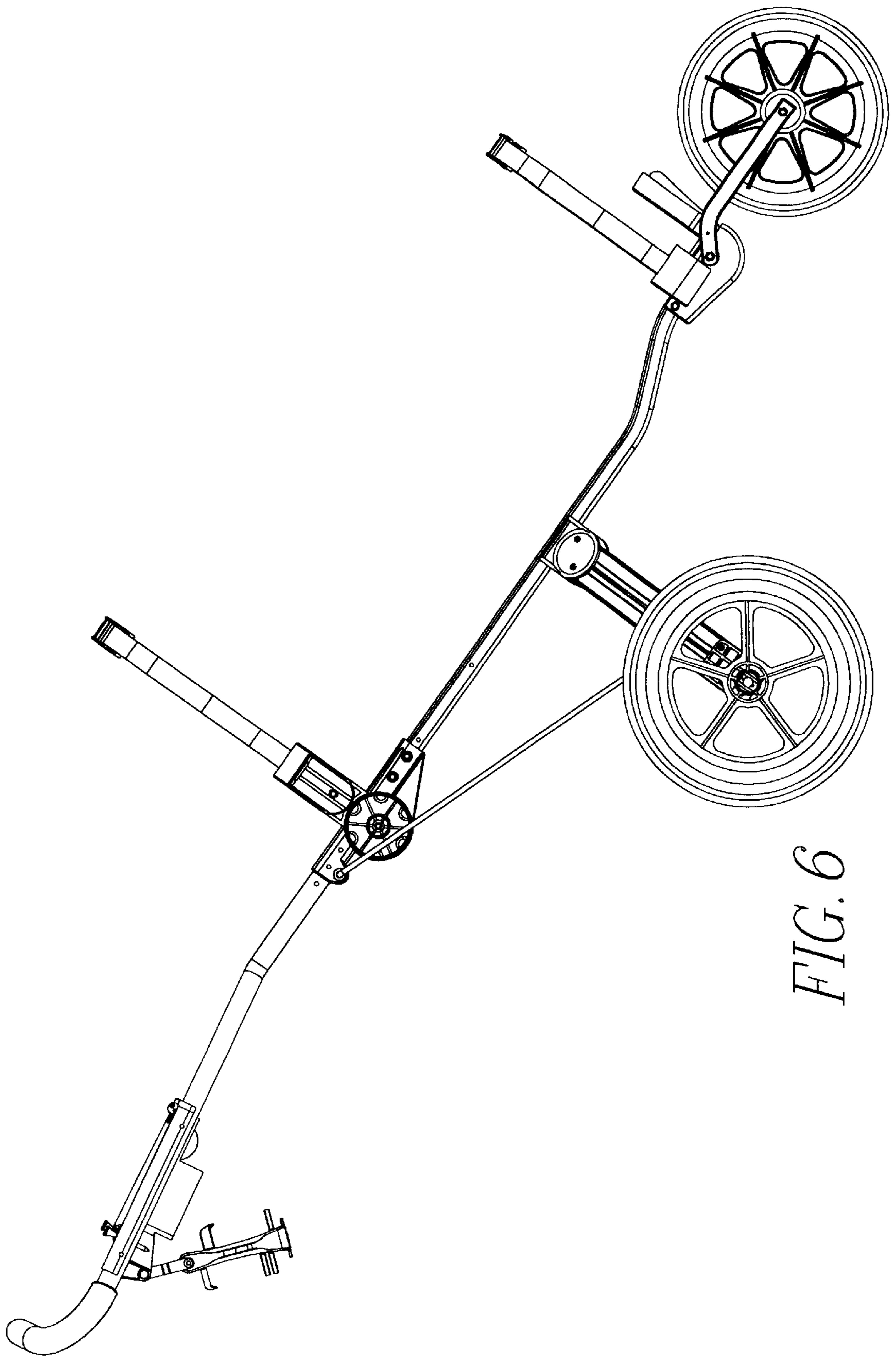


FIG. 6

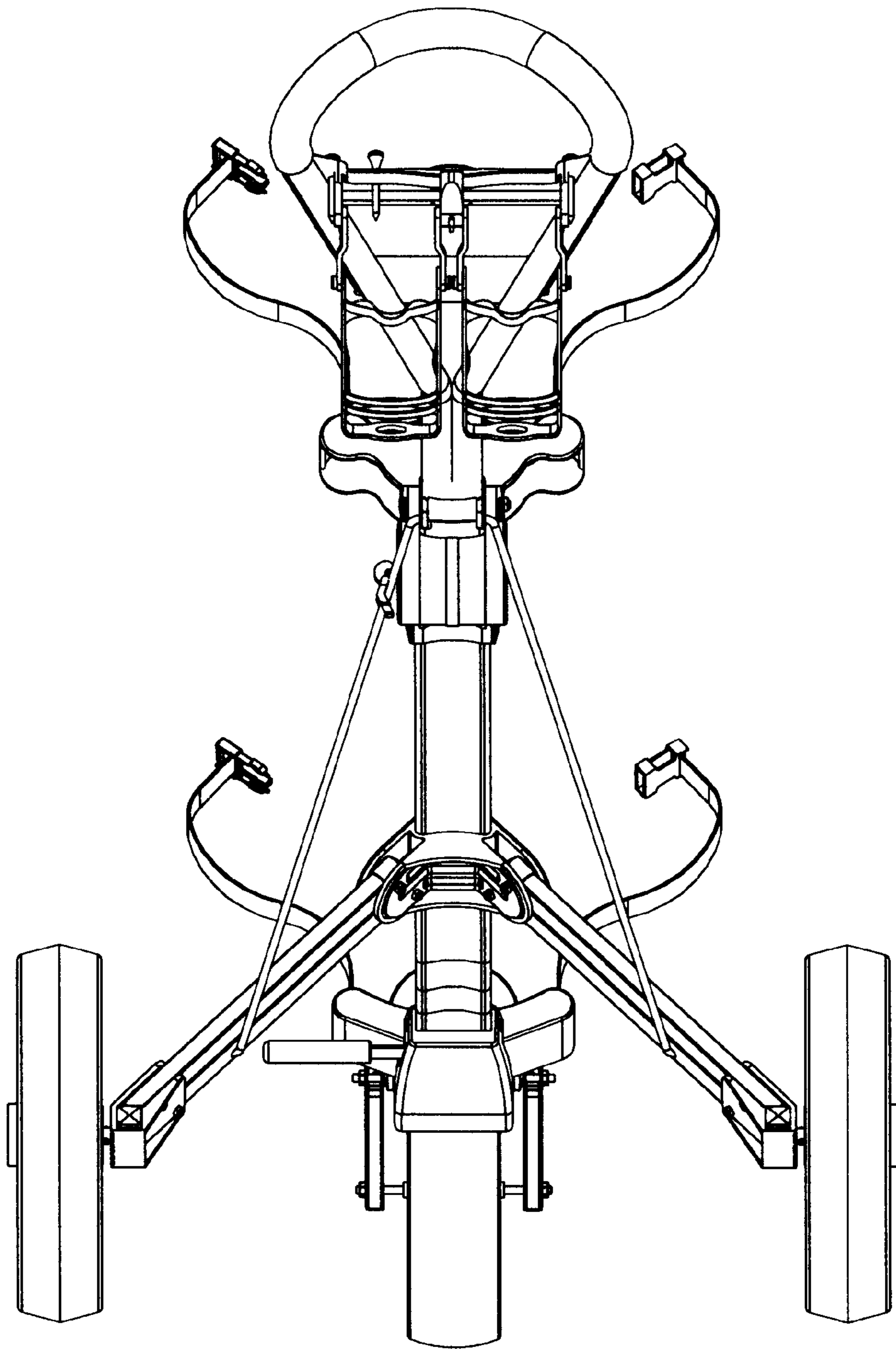


FIG. 7

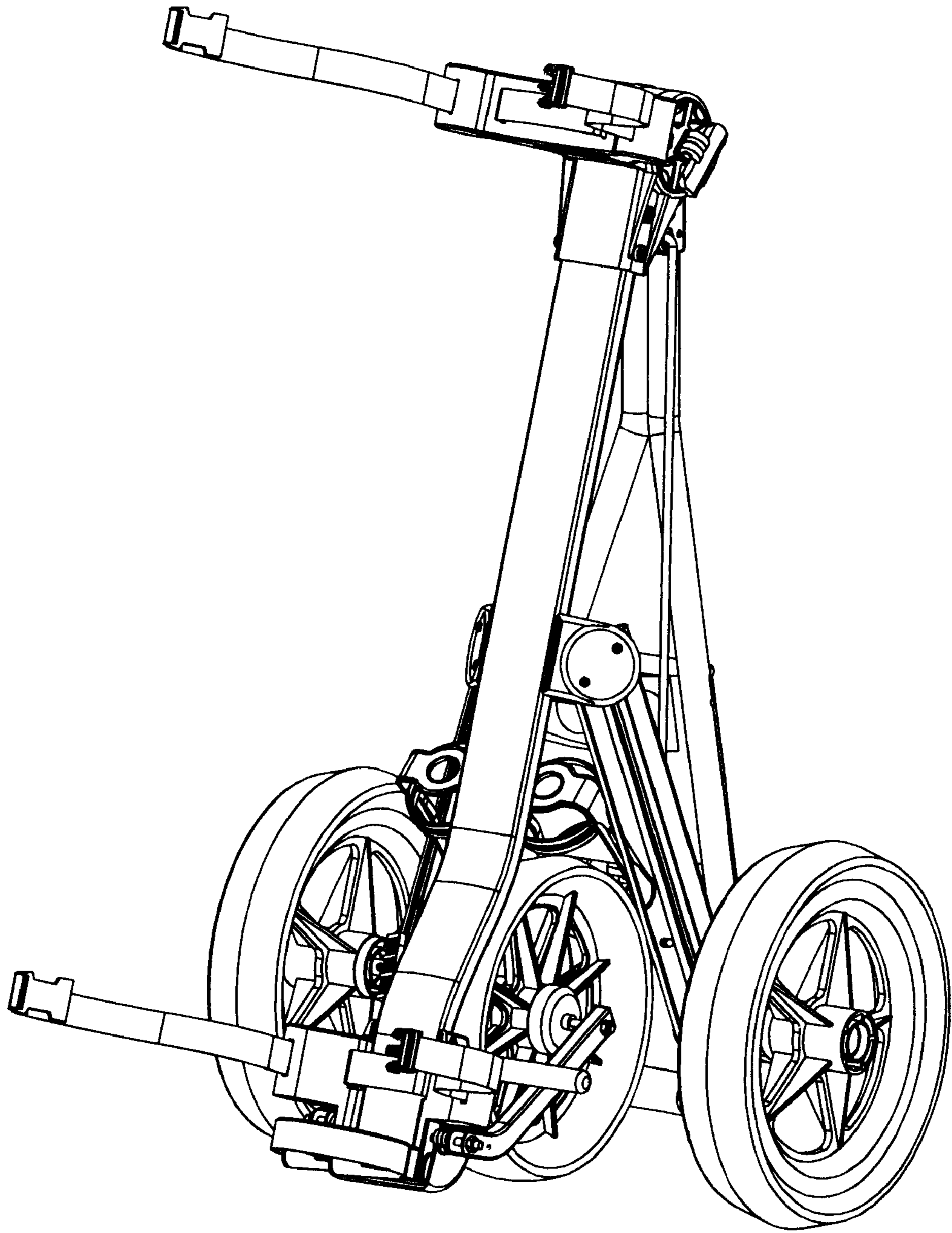


FIG. 8