



US00D462141S

(12) **United States Design Patent**
Carlucci et al.

(10) **Patent No.:** **US D462,141 S**

(45) **Date of Patent:** **** Aug. 27, 2002**

- (54) **DIFFUSER FOR A HAIR DRYER**
- (75) Inventors: **Vito J. Carlucci**, Stratford; **Sergio DaCosta**, Danbury, both of CT (US)
- (73) Assignee: **Conair CIP, Inc.**, Stamford, CT (US)
- (**) Term: **14 Years**
- (21) Appl. No.: **29/150,381**
- (22) Filed: **Nov. 21, 2001**
- (51) **LOC (7) Cl.** **28-03**
- (52) **U.S. Cl.** **D28/18**
- (58) **Field of Search** D28/18, 12-17;
132/271, 272; 34/96-101; 392/384, 385;
D23/213, 223, 229, 212

5,765,292 A	6/1998	Chan	34/98
D401,381 S	11/1998	Seifert	D28/18
D401,382 S	11/1998	Seifert	D28/13
D404,522 S	1/1999	Kip	D28/18
D407,848 S	4/1999	Celik	D28/15
5,956,863 A	9/1999	Allen	34/97
D414,896 S	10/1999	Goetschi	D28/18
5,983,517 A *	11/1999	Ehlhardt	34/98
6,089,239 A	7/2000	Ehlhardt et al.	132/271
D429,374 S	8/2000	Muller	D28/18
D432,717 S *	10/2000	Micinilio et al.	D28/18
D440,354 S	4/2001	Kwong	D28/18

* cited by examiner

Primary Examiner—Lucy Lieberman
(74) *Attorney, Agent, or Firm*—Ohlandt, Greeley, Ruggiero & Perle LLP

- (56) **References Cited**
- U.S. PATENT DOCUMENTS**
- D193,877 S * 10/1962 McGlaughlin D23/212
- D259,742 S 6/1981 Iammatteo D28/18
- 4,295,283 A 10/1981 Tomaro
- 5,060,398 A * 10/1991 Wolens 132/271
- 5,275,339 A 1/1994 Andis et al. 239/443
- D349,585 S 8/1994 Rizzuto, Jr. D28/18
- D354,152 S 1/1995 Mathews D28/18
- 5,457,894 A 10/1995 Dorber 34/98
- D367,543 S 2/1996 Oberheim D28/15
- 5,488,783 A 2/1996 Parkinson et al. 34/98
- D369,229 S 4/1996 Oberheim D28/18
- 5,638,608 A * 6/1997 Dorber 34/98
- D383,874 S 9/1997 Rizzuto D28/18
- 5,671,547 A 9/1997 Truchet et al. 34/96
- D388,538 S 12/1997 Kip D28/18
- 5,715,847 A 2/1998 Rolf et al. 132/271
- D392,413 S 3/1998 Gudefin D28/18

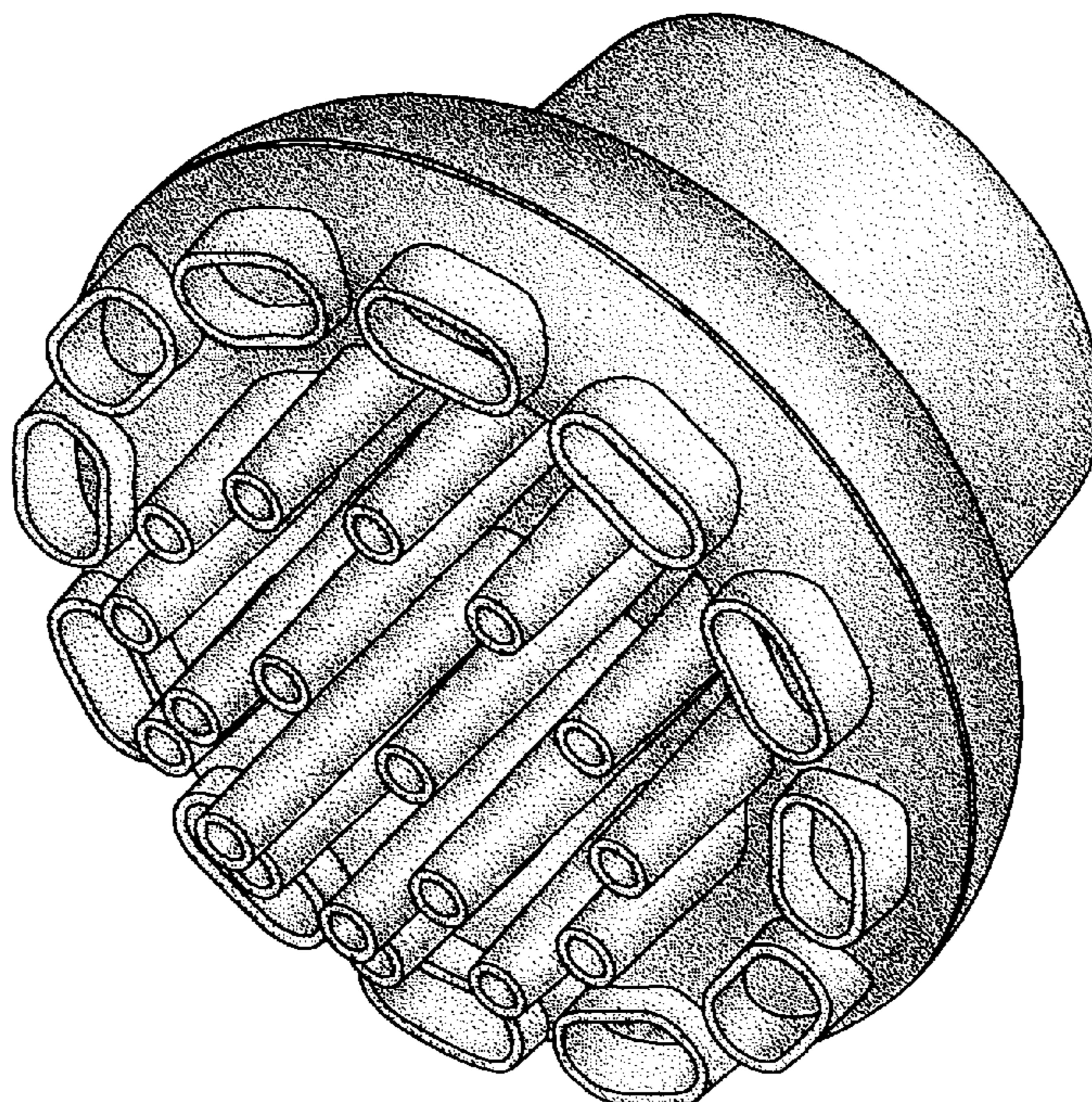
(57) **CLAIM**

The ornamental design for a diffuser for a hair dryer, as shown and described.

DESCRIPTION

FIG. 1 is a perspective view of a diffuser for a hair dryer according to the present invention;
 FIG. 2 is a side elevation of the diffuser for a hair dryer of FIG. 1, the opposite side elevation is the same;
 FIG. 3 is a first end view of the diffuser for a hair dryer of FIG. 1;
 FIG. 4 is a second end view, opposite the first end view, of the diffuser for a hair dryer of FIG. 1; and,
 FIG. 5 is a side elevation of the diffuser for a hair dryer rotated 90 degrees from the view in FIG. 2, the opposite side elevation is the same.

1 Claim, 3 Drawing Sheets



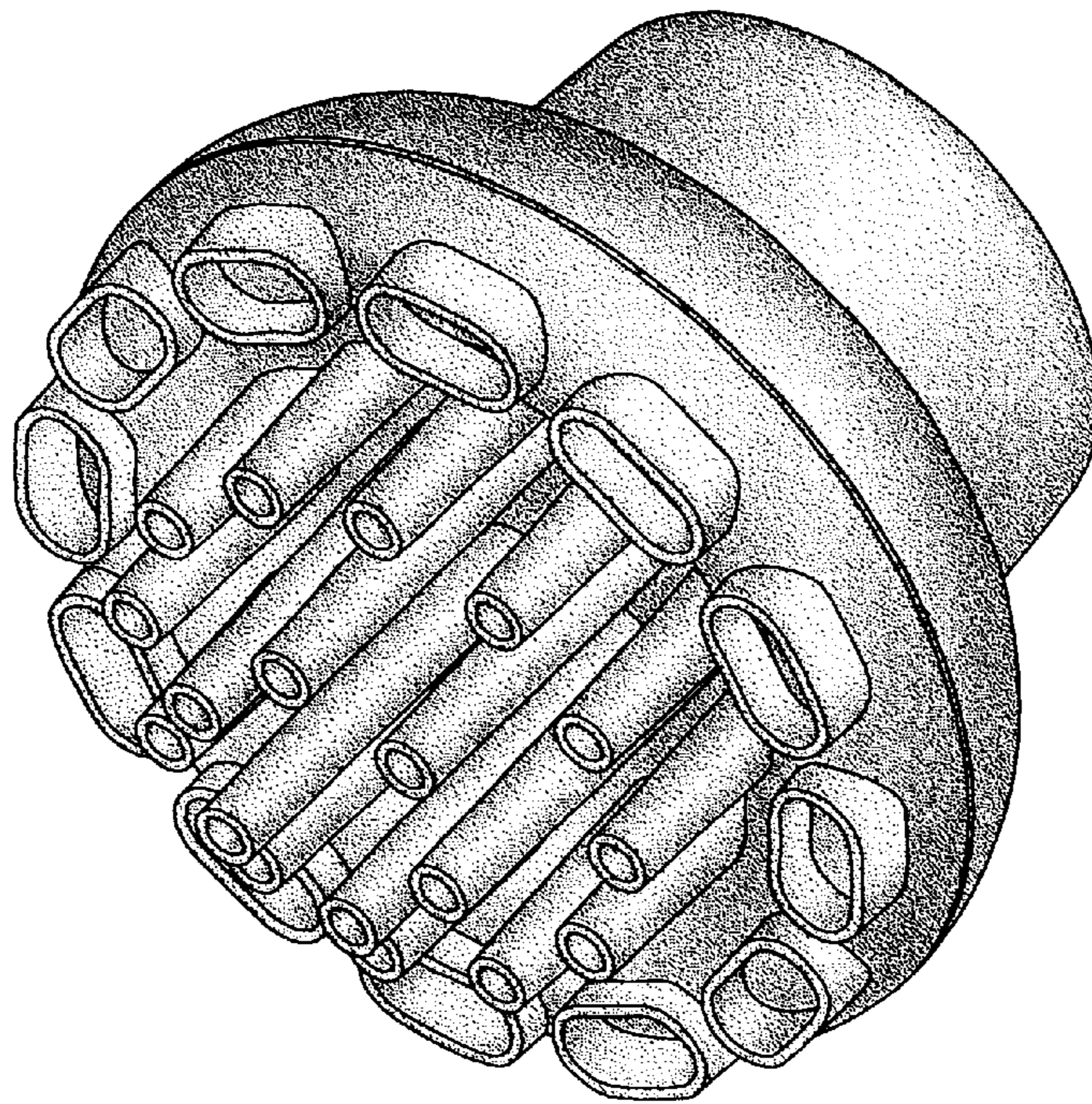


FIG. 1

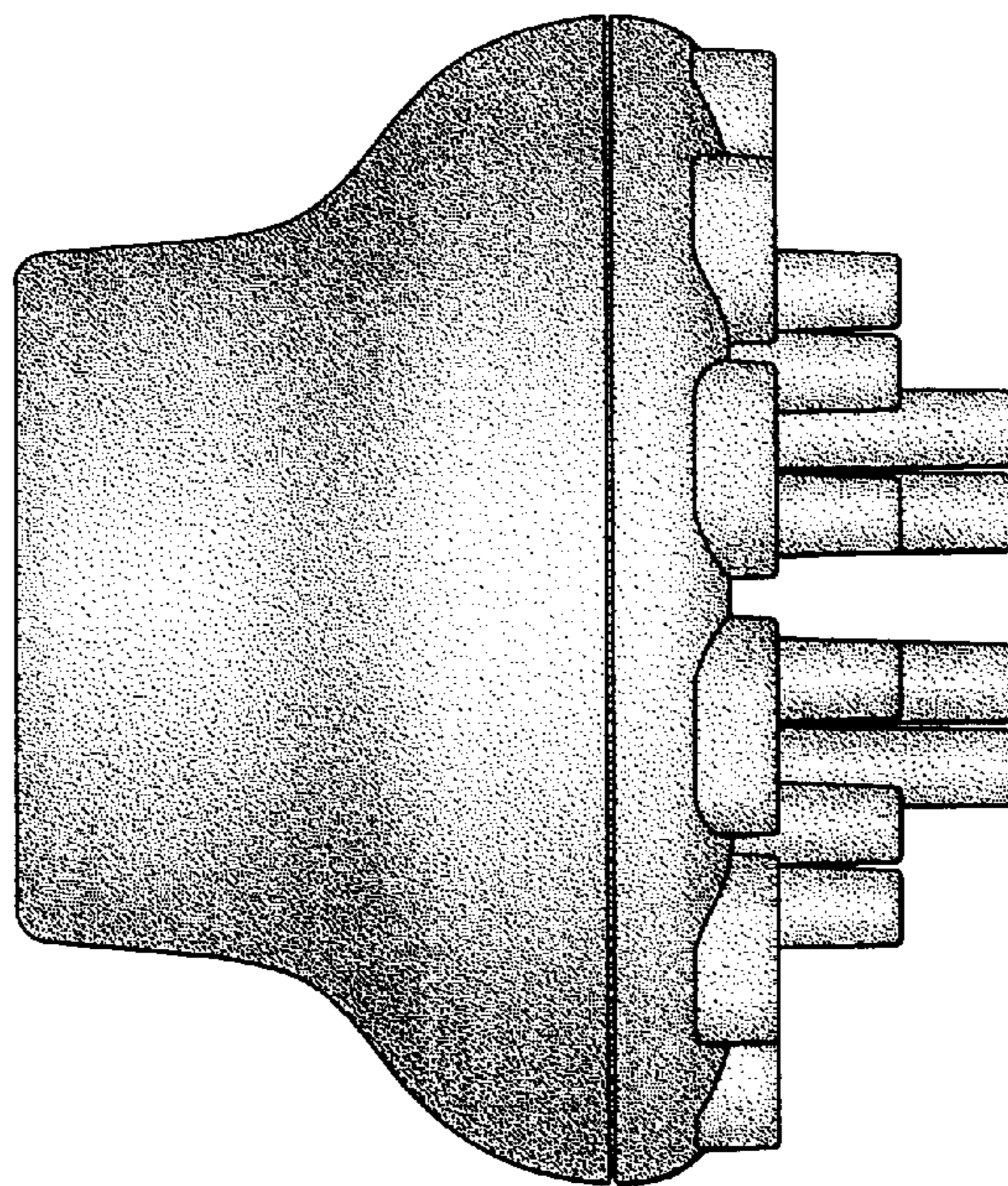


FIG. 2

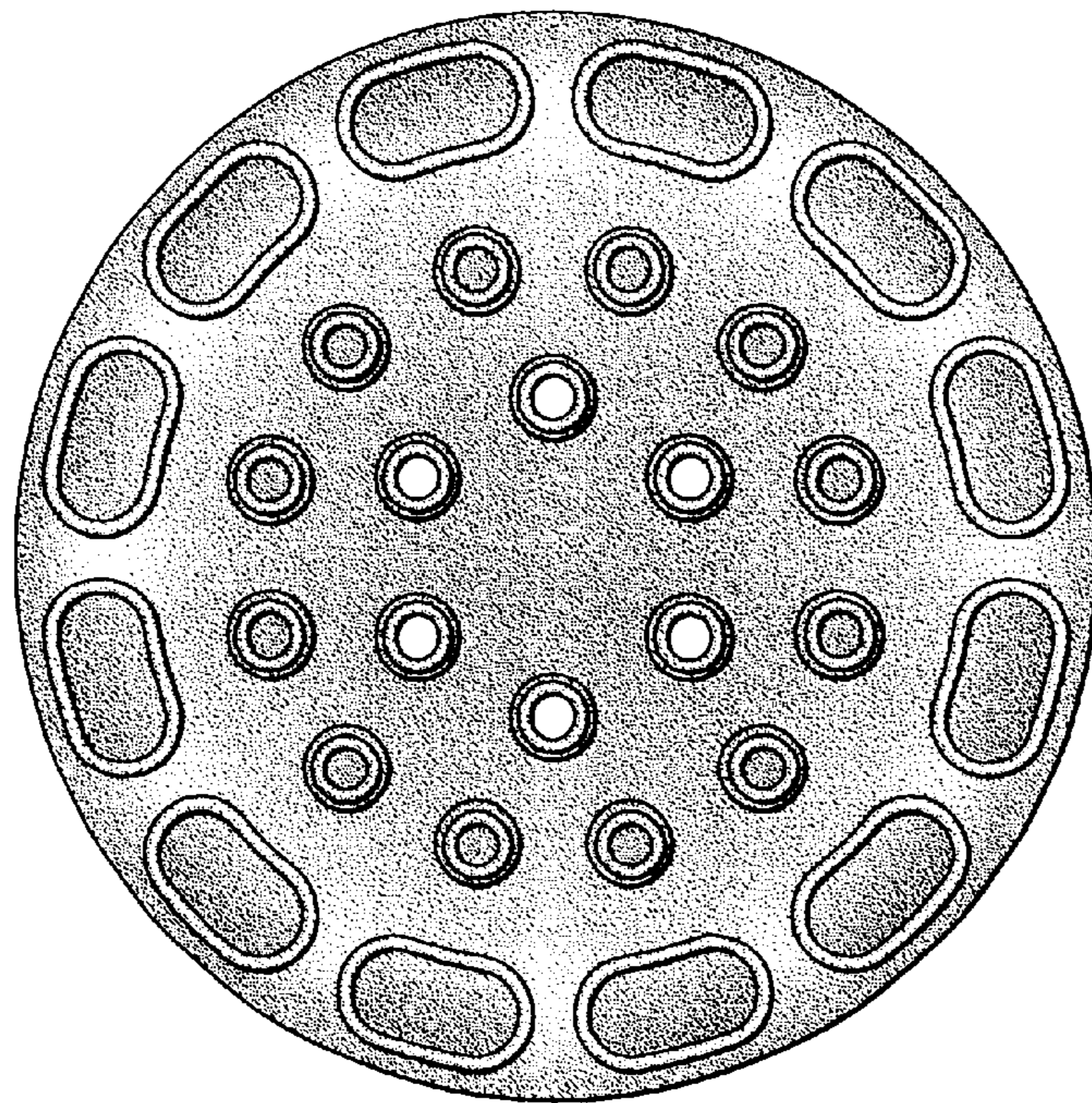


FIG. 3

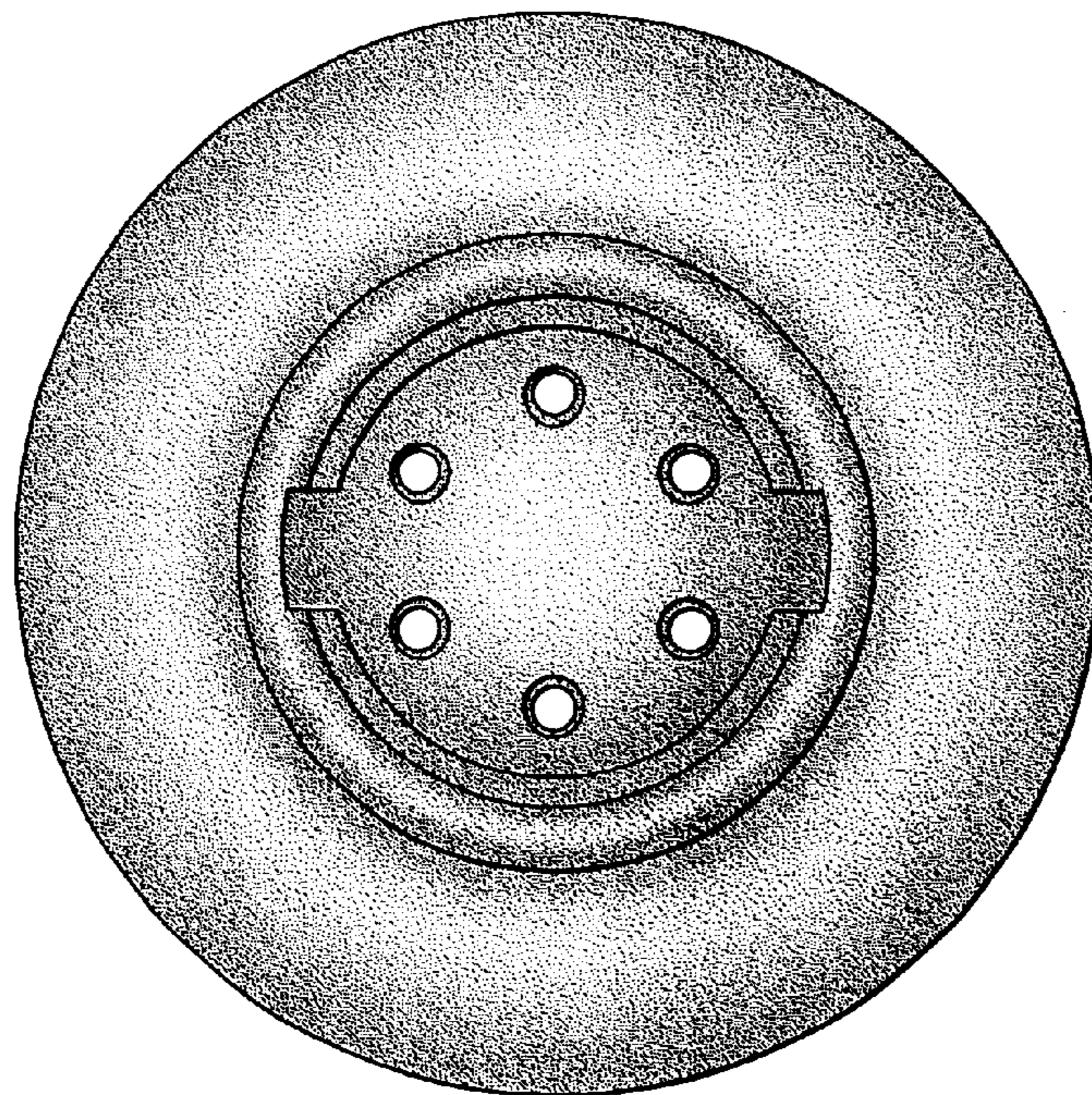


FIG. 4

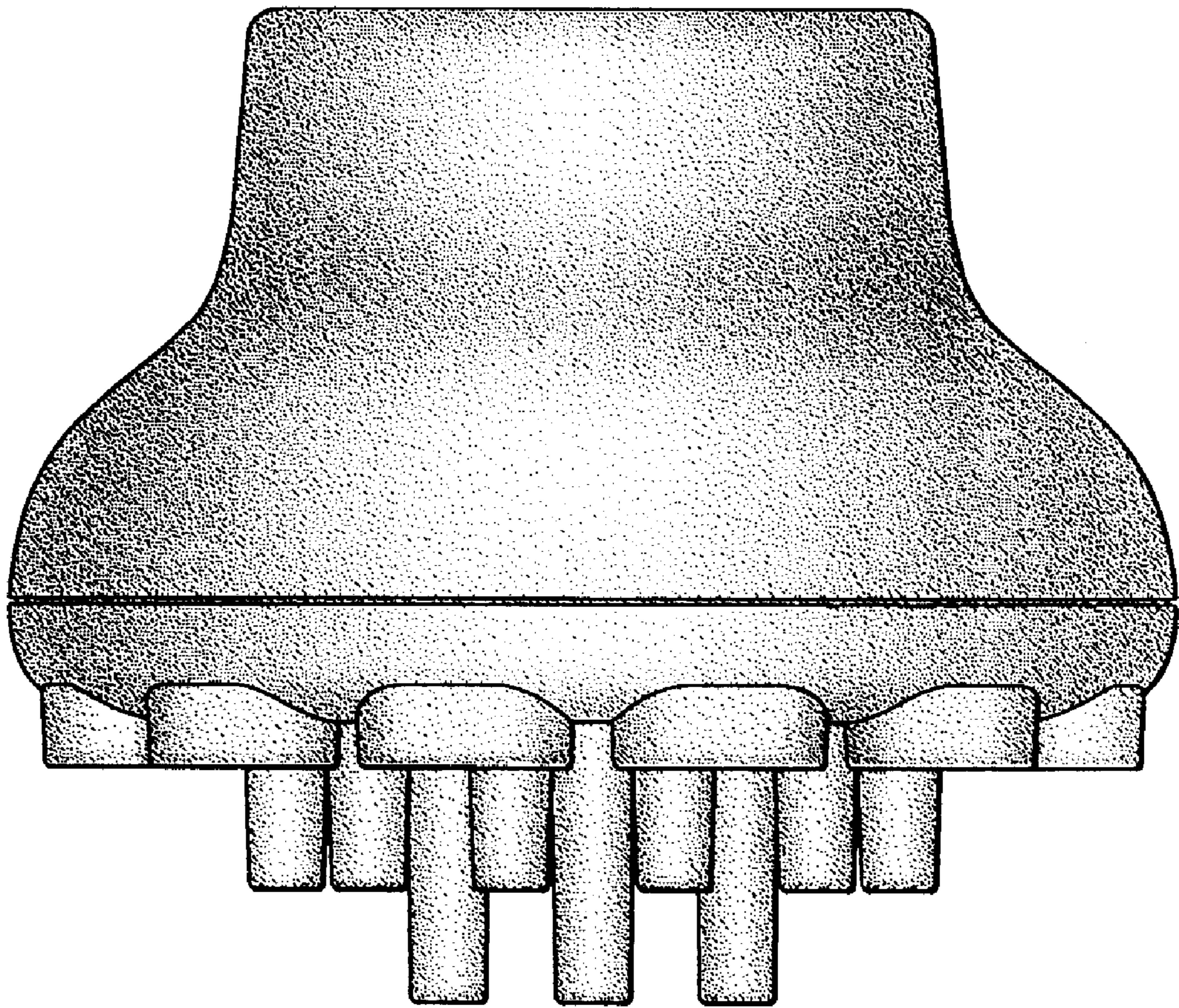


FIG. 5