



US00D462135S

(12) **United States Design Patent**
Chelf

(10) **Patent No.:** **US D462,135 S**

(45) **Date of Patent:** **** Aug. 27, 2002**

(54) **LIGHT FIXTURE**

(75) Inventor: **Bentley Chelf**, Laguna Nigel, CA (US)

(73) Assignee: **General Innovations, LLC**, Laguna Nigel, CA (US)

(**) Term: **14 Years**

(21) Appl. No.: **29/147,772**

(22) Filed: **Sep. 5, 2001**

(51) **LOC (7) Cl.** **26-03**

(52) **U.S. Cl.** **D26/76; D26/72; D26/89**

(58) **Field of Search** **D26/72, 75-78; 362/147, 404-408, 432, 217-223**

(56) **References Cited**

U.S. PATENT DOCUMENTS

- D127,892 S * 6/1941 Ohm
- D143,061 S * 12/1945 Creed
- D143,350 S * 12/1945 Polotaye
- D167,669 S * 9/1952 Bell et al.
- D192,646 S * 4/1962 Pascucci et al.
- D203,692 S * 2/1966 Roovaart

OTHER PUBLICATIONS

Illuminotecnica Nov. 1997 p. 274, fluorescent fixture second from bottom on left.*

Forecast Lighting catalog supplement A, p. 8, item # 2824-74.*

* cited by examiner

Primary Examiner—Alan P. Douglas

Assistant Examiner—Clare E. Heflin

(74) *Attorney, Agent, or Firm*—Haynes and Boone, LLP

(57) **CLAIM**

The ornamental design for the light fixture, as shown and described.

DESCRIPTION

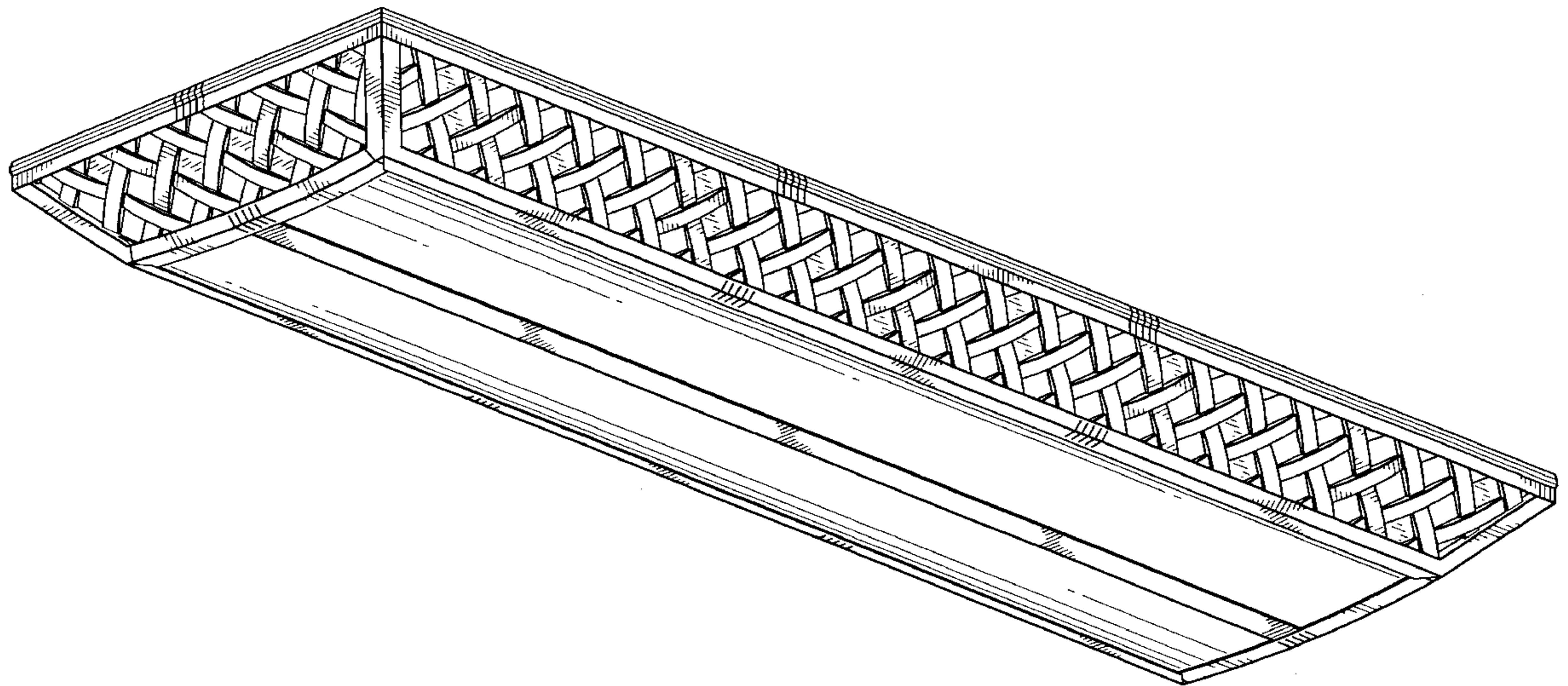
FIG. 1 is a perspective view of the light fixture showing my new design;

FIG. 2 is a front elevational view thereof;

FIG. 3 is a side elevational view thereof; and,

FIG. 4 is a bottom plan view thereof.

1 Claim, 2 Drawing Sheets



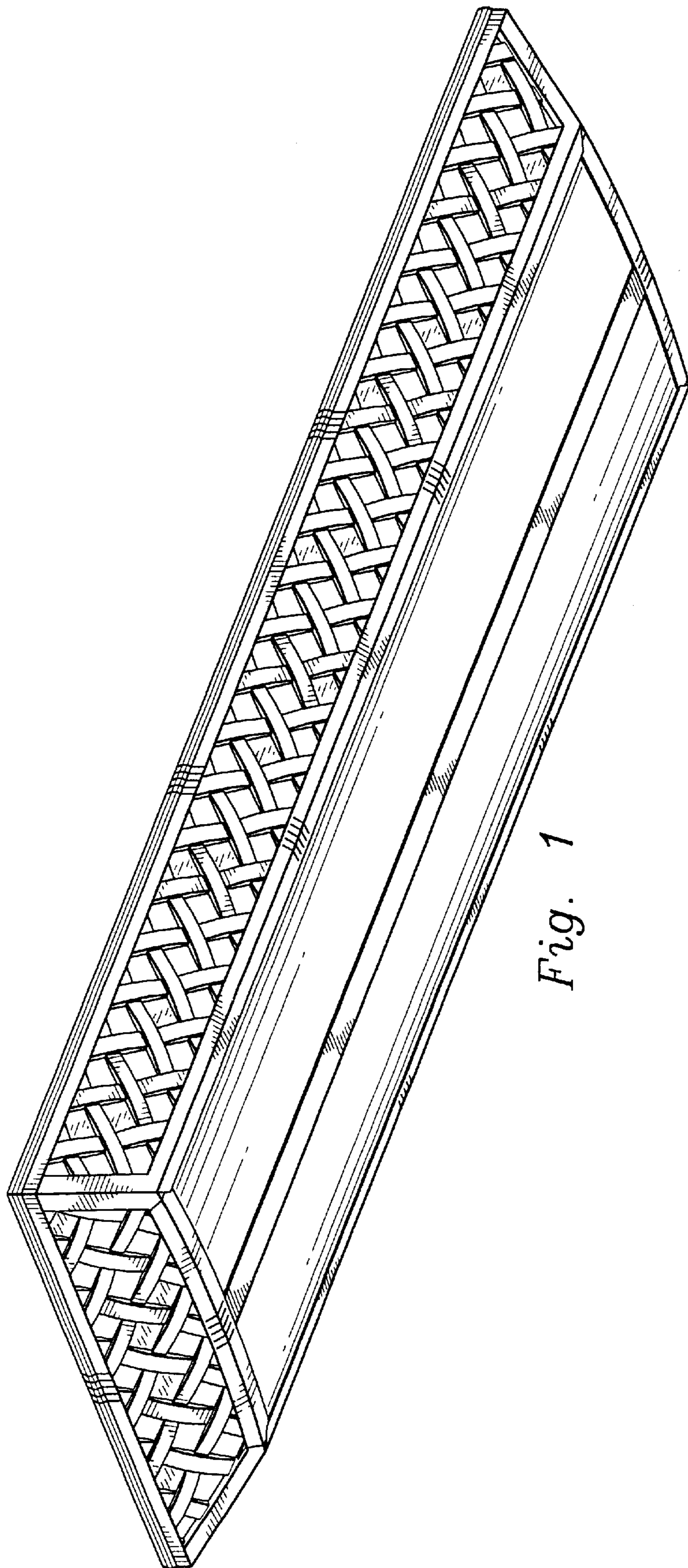


Fig. 1

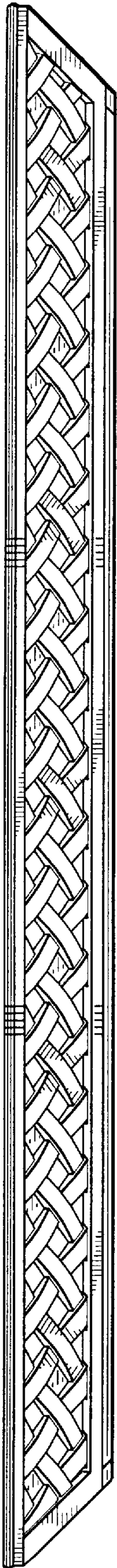


Fig. 2

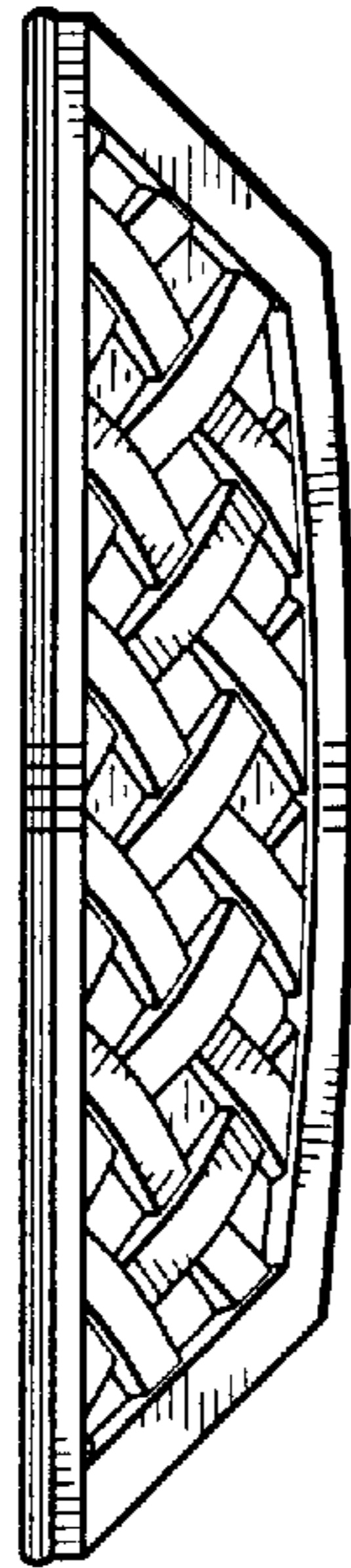


Fig. 3

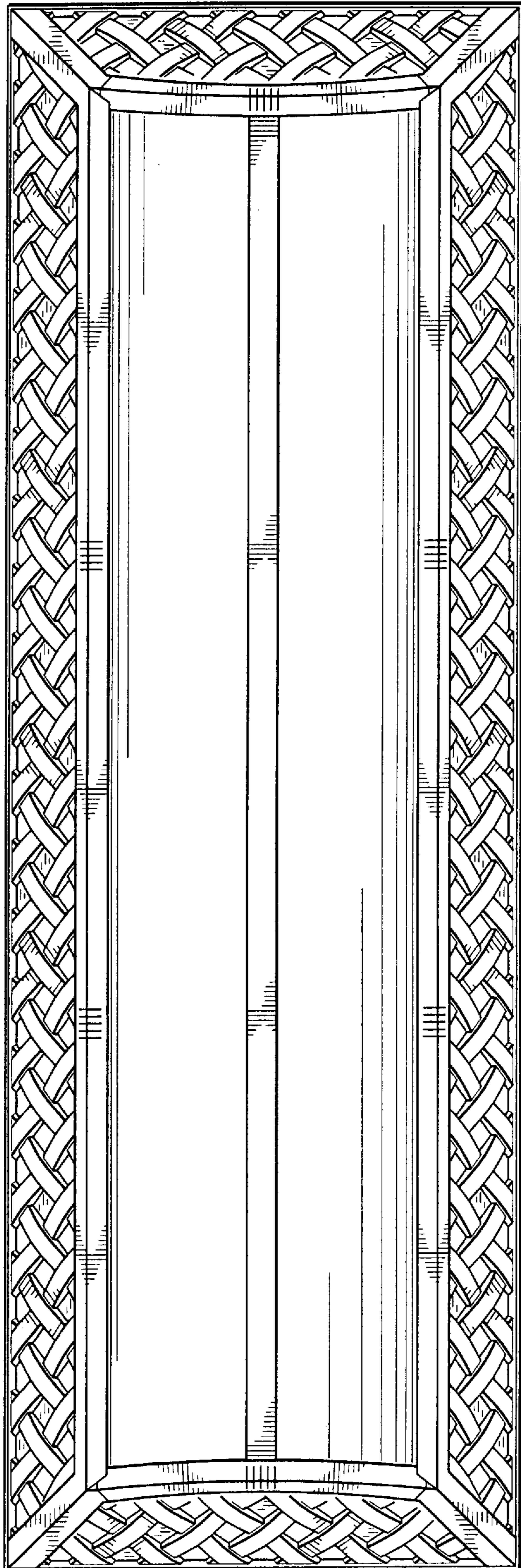


Fig. 4