



US00D462134S

(12) **United States Design Patent**
Cheong

(10) **Patent No.:** **US D462,134 S**

(45) **Date of Patent:** **** Aug. 27, 2002**

(54) **SOLAR POWERED OUTDOOR LIGHT**

(75) Inventor: **Ellis Hon Siu Cheong**, Shunshine (HK)

(73) Assignee: **The Brinkmann Corporation**, Dallas, TX (US)

(**) Term: **14 Years**

(21) Appl. No.: **29/140,073**

(22) Filed: **Apr. 10, 2001**

(51) **LOC (7) Cl.** **26-05**

(52) **U.S. Cl.** **D26/67**

(58) **Field of Search** D26/51, 67-71,
D26/102-112; 362/153, 153.1, 410-414,
431

(56) **References Cited**

U.S. PATENT DOCUMENTS

D443,941 S	*	6/2001	Boeckley	D26/67
D452,028 S	*	12/2001	Lee	D26/67
D453,388 S	*	2/2002	Leen	D26/67

* cited by examiner

Primary Examiner—Marcus A. Jackson

(74) *Attorney, Agent, or Firm*—Sheppard, Mullin, Richter & Hampton LLP

(57) **CLAIM**

Claimed is the ornamental design for solar-powered outdoor light, as shown and described.

DESCRIPTION

FIG. 1 is a perspective view of a first embodiment of a solar powered outdoor light embodying the new design.

FIG. 2 is a left side elevational view of the design depicted in FIG. 1.

FIG. 3 is a right side elevational view of the design depicted in FIG. 1.

FIG. 4 is a front elevational view of the design depicted in FIG. 1.

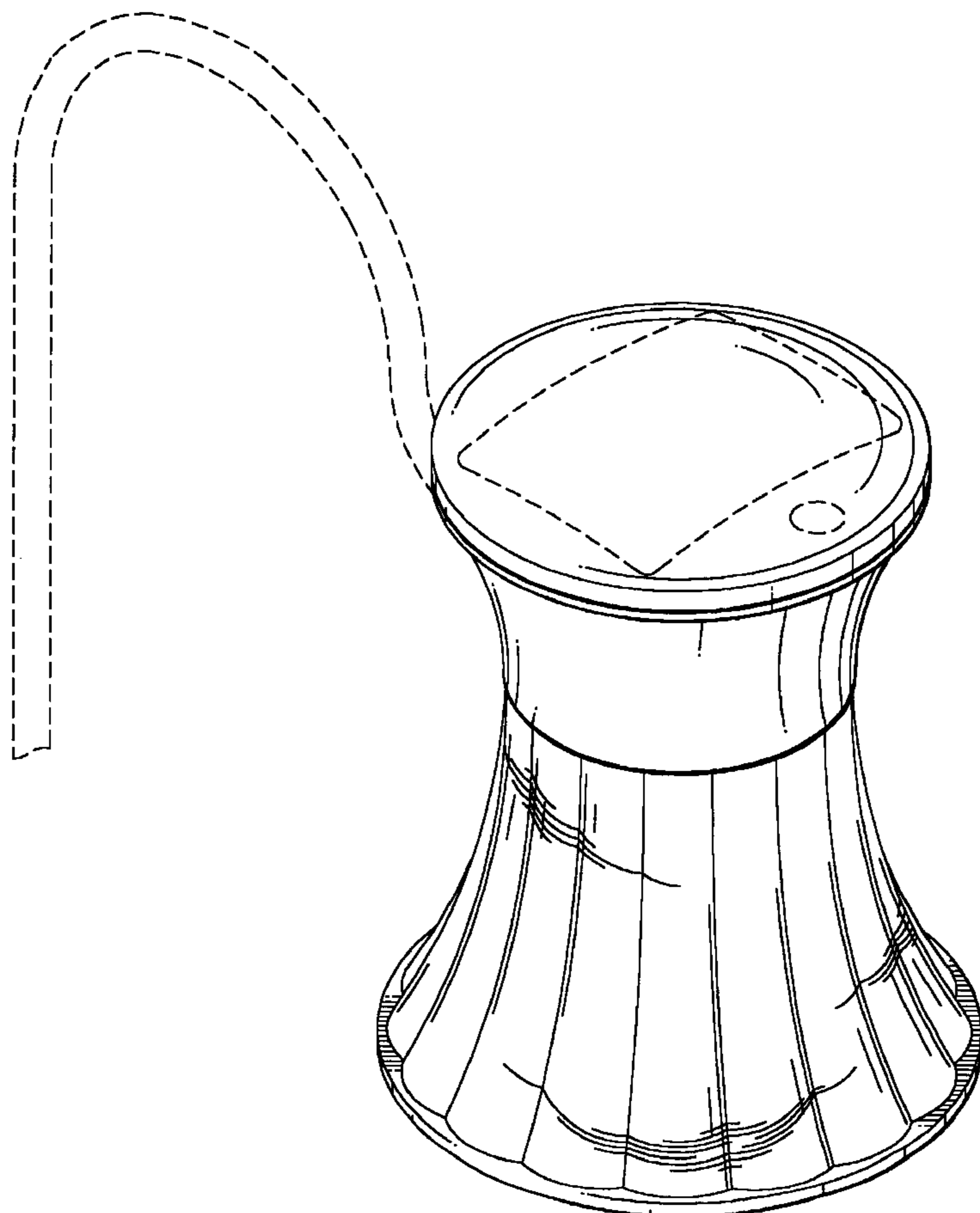
FIG. 5 is a rear elevational view of the design depicted in FIG. 1.

FIG. 6 is a top plan view of the design depicted in FIG. 1; and,

FIG. 7 is a bottom plan view of the design depicted in FIG. 1.

The dotted lines are for illustrative purposes only and form no part of the claimed design.

1 Claim, 6 Drawing Sheets



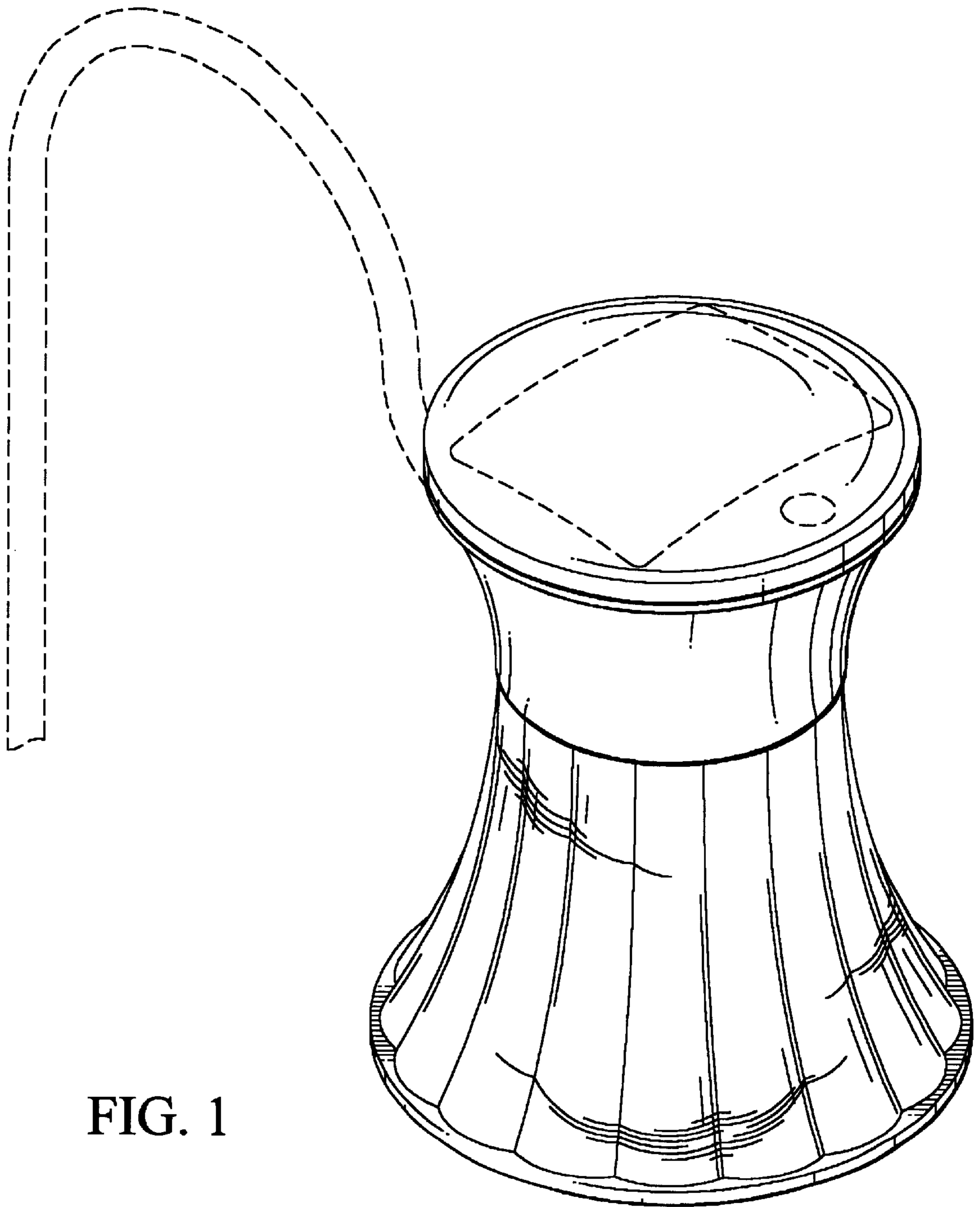


FIG. 1

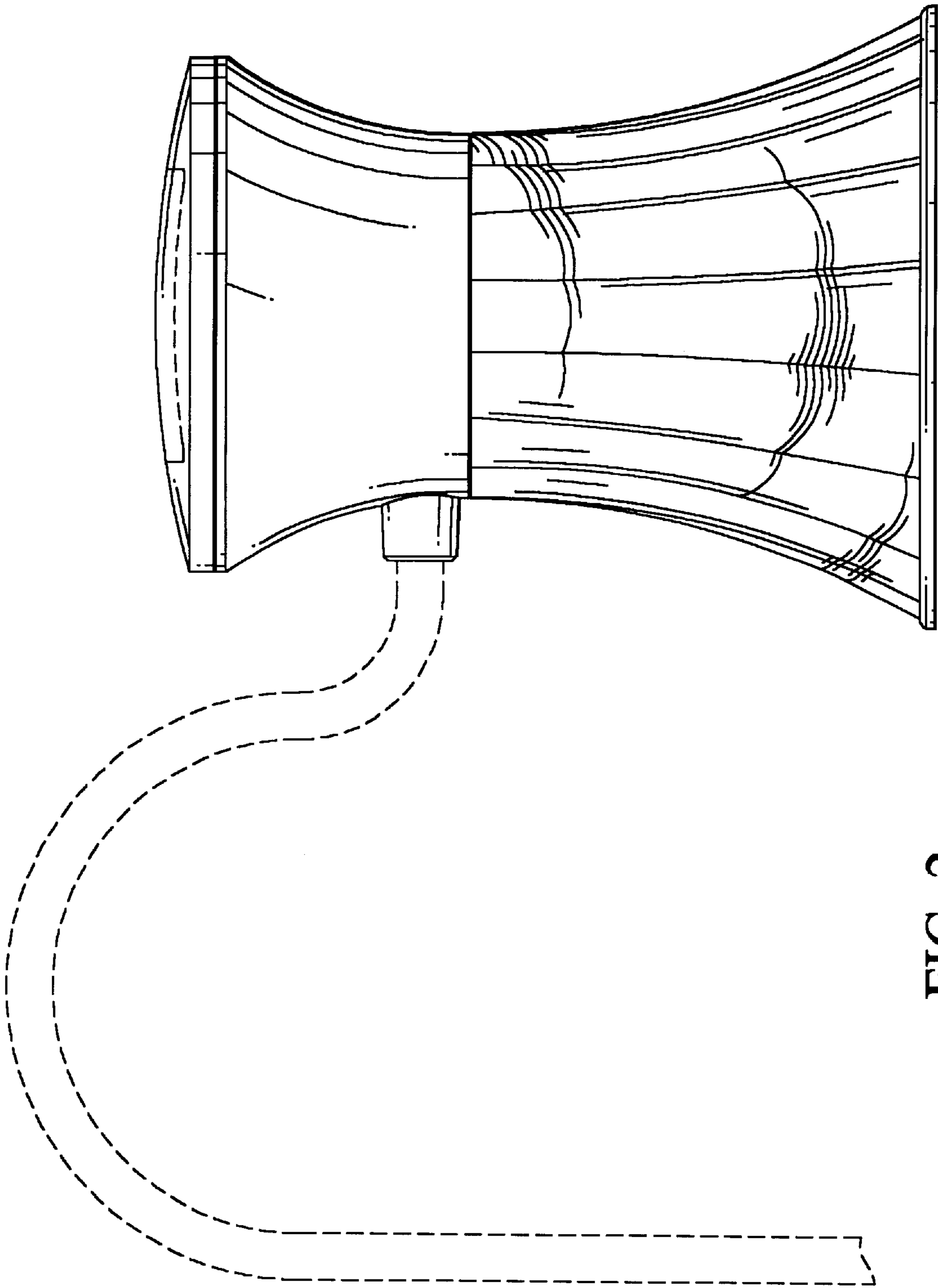


FIG. 2

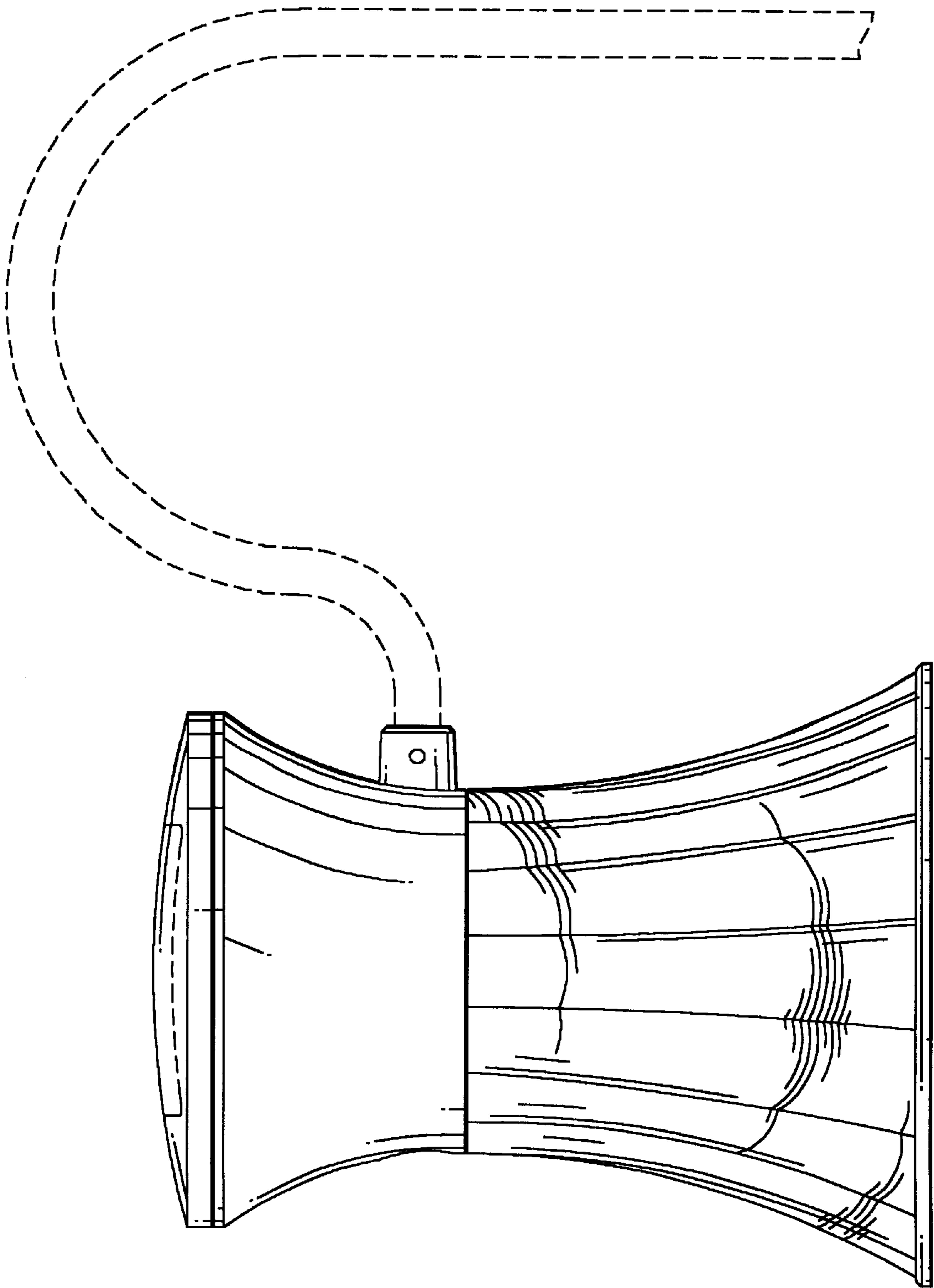


FIG. 3

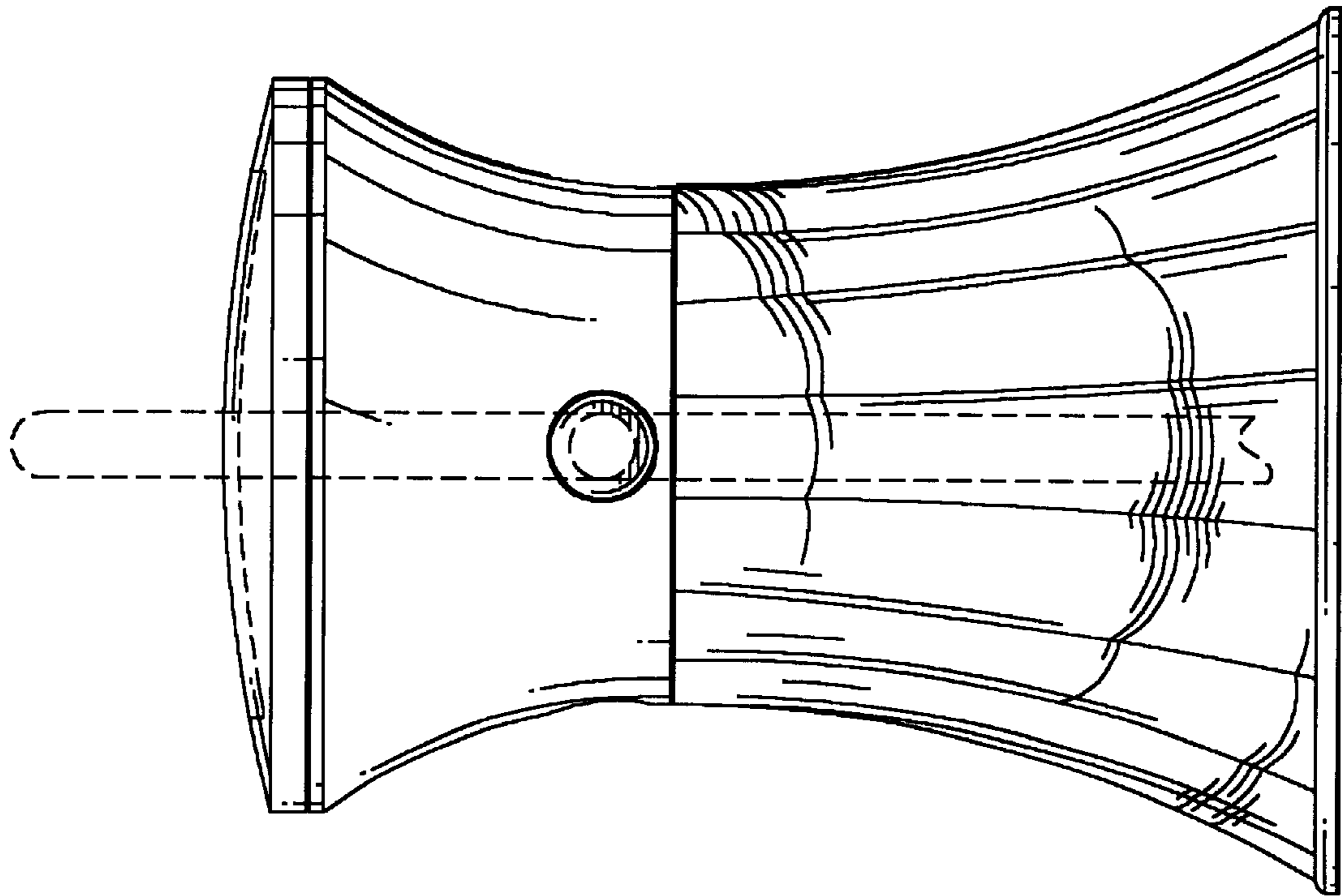


FIG. 5

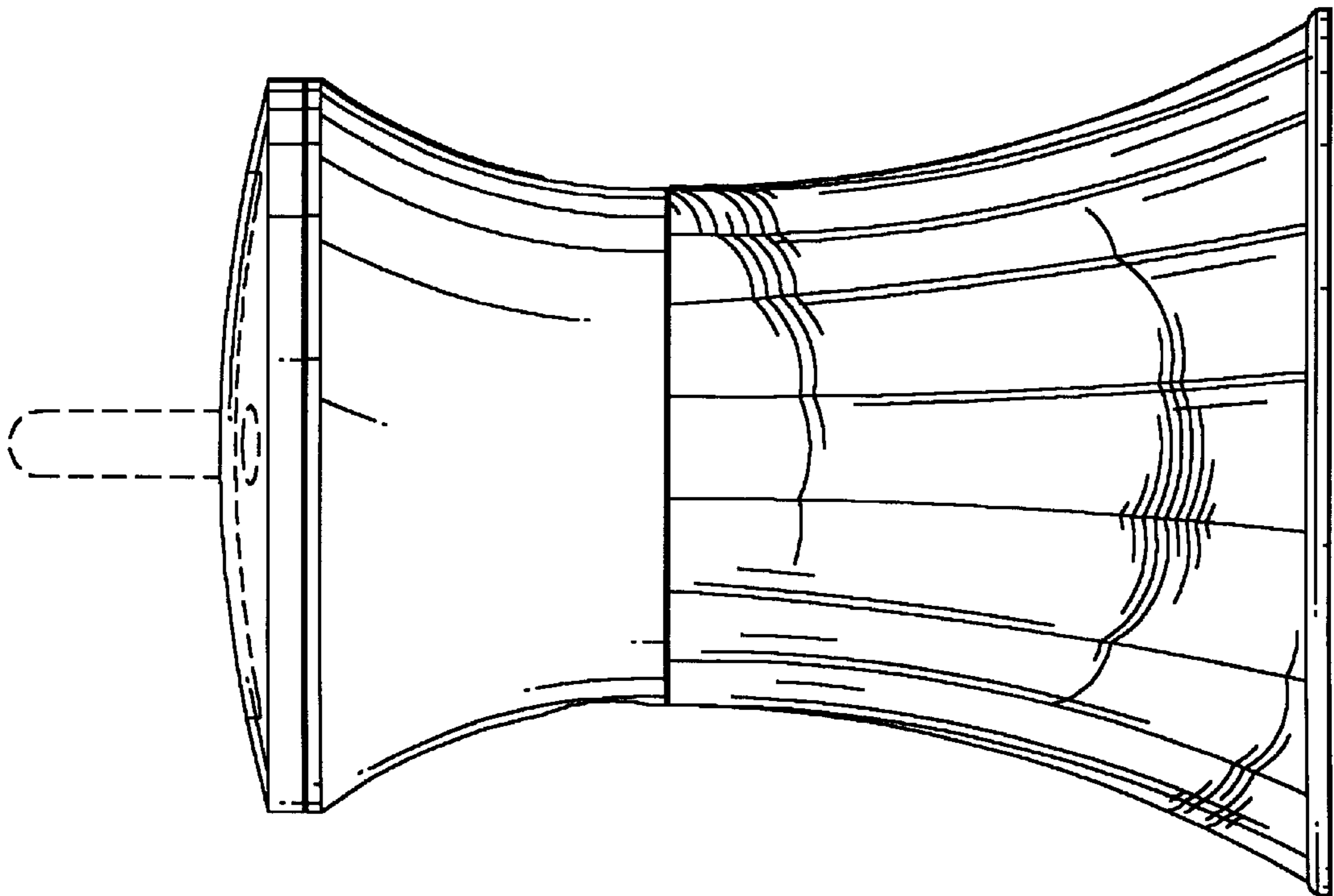


FIG. 4

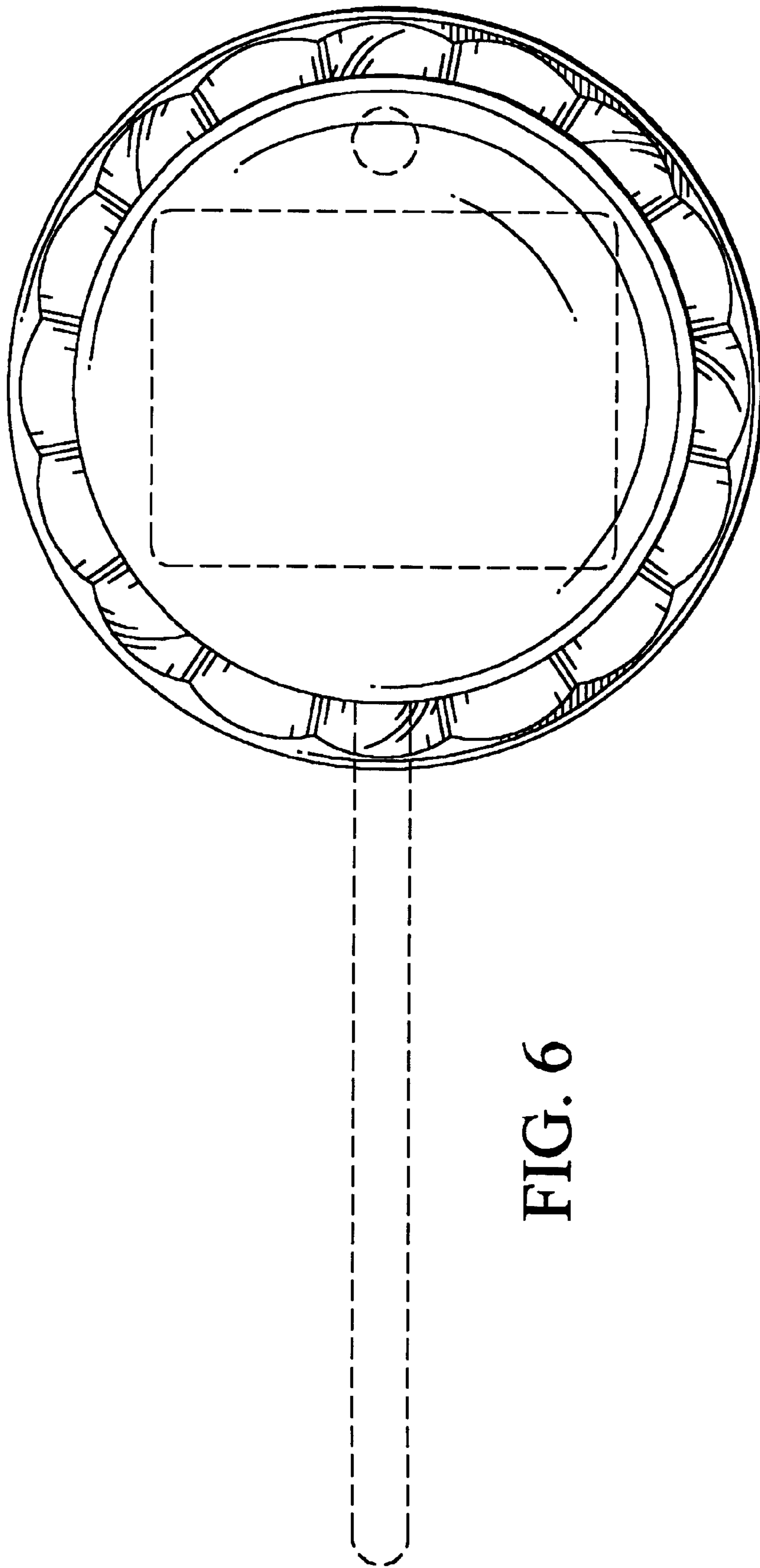


FIG. 6

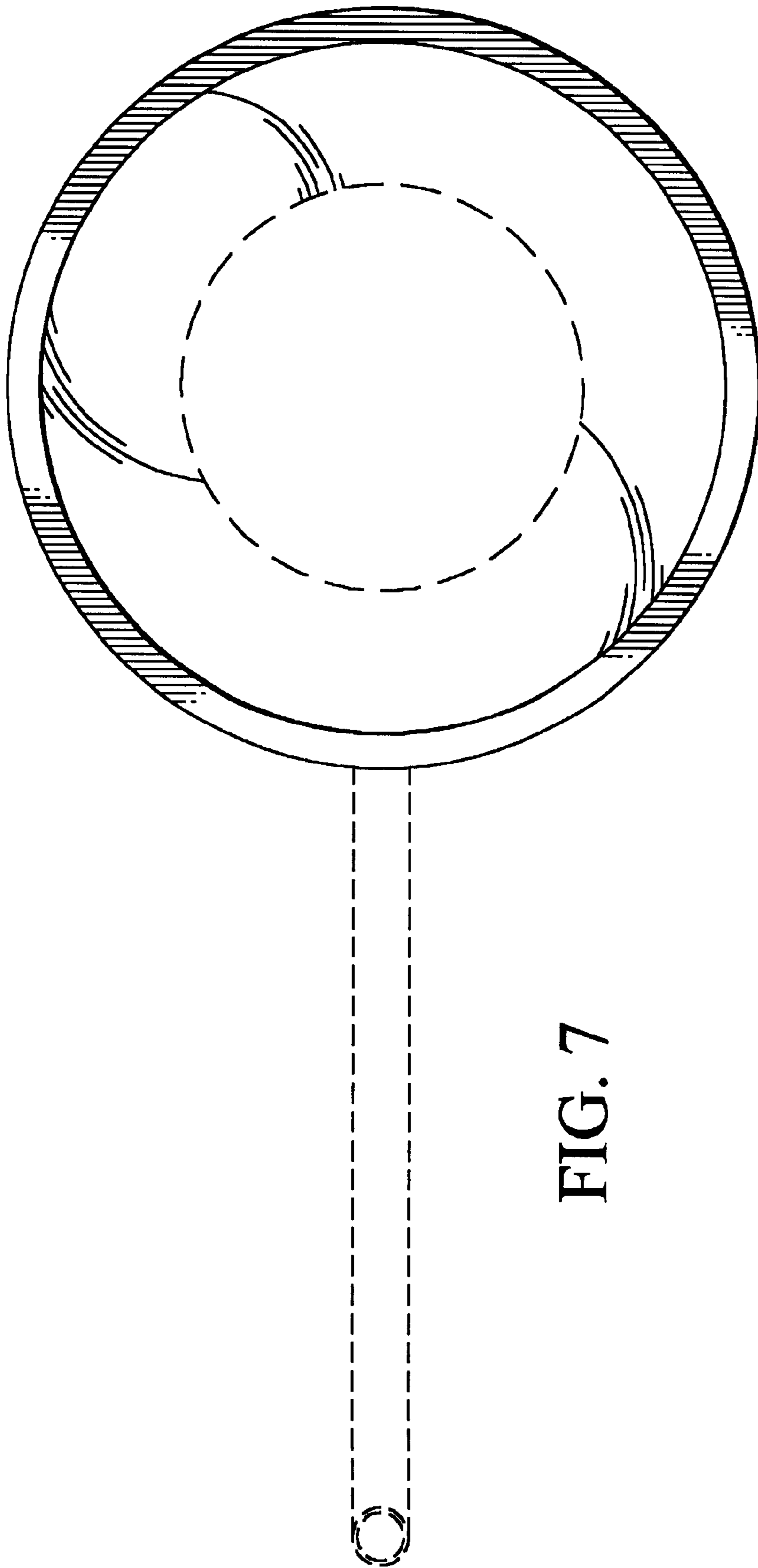


FIG. 7