



US00D462123S

(12) **United States Design Patent**
Peratrovich

(10) **Patent No.:** **US D462,123 S**

(45) **Date of Patent:** **** Aug. 27, 2002**

(54) **LEG SUPPORT APPLIANCE**

D362,506 S * 9/1995 Bieri D24/190

(76) Inventor: **Gifford James Peratrovich**, 320
Bawden, #408, Ketchikan, AK (US)
99901

* cited by examiner

Primary Examiner—Stella Reid
(74) *Attorney, Agent, or Firm*—Gene Scott-Patent Law &
Venture Group

(**) Term: **14 Years**

(21) Appl. No.: **29/153,880**

(57) **CLAIM**

(22) Filed: **Nov. 9, 2001**

The ornamental design for a “leg support appliance”, as shown and described.

(51) **LOC (7) Cl.** **24-04**

DESCRIPTION

(52) **U.S. Cl.** **D24/190**

(58) **Field of Search** D24/190, 192;
602/23, 28, 16

FIG. 1 is a left side elevational view of a leg support appliance, showing my new design;
FIG. 2 is a right side elevational view thereof;
FIG. 3 is a front elevational view thereof;
FIG. 4 is a rear elevational view thereof;
FIG. 5 is a top plan view thereof; and,
FIG. 6 is a bottom plan view thereof.

(56) **References Cited**

U.S. PATENT DOCUMENTS

1,185,906	A	*	6/1916	Hoff	623/28
4,141,375	A	*	2/1979	Tykwinski	135/66
5,178,595	A	*	1/1993	MacGregor	482/75
5,300,016	A	*	4/1994	Marlatt	602/16

1 Claim, 6 Drawing Sheets

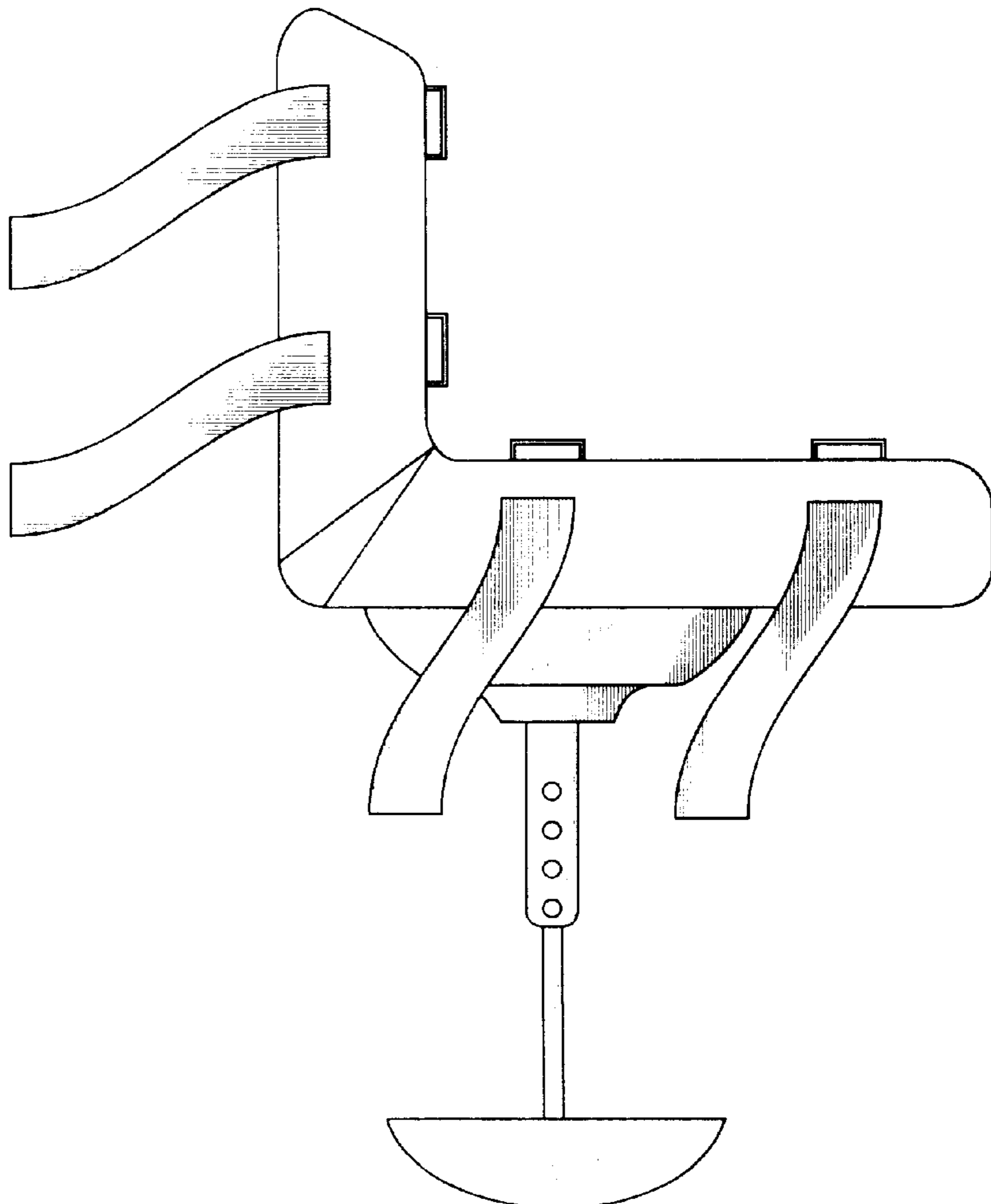


Fig. 1

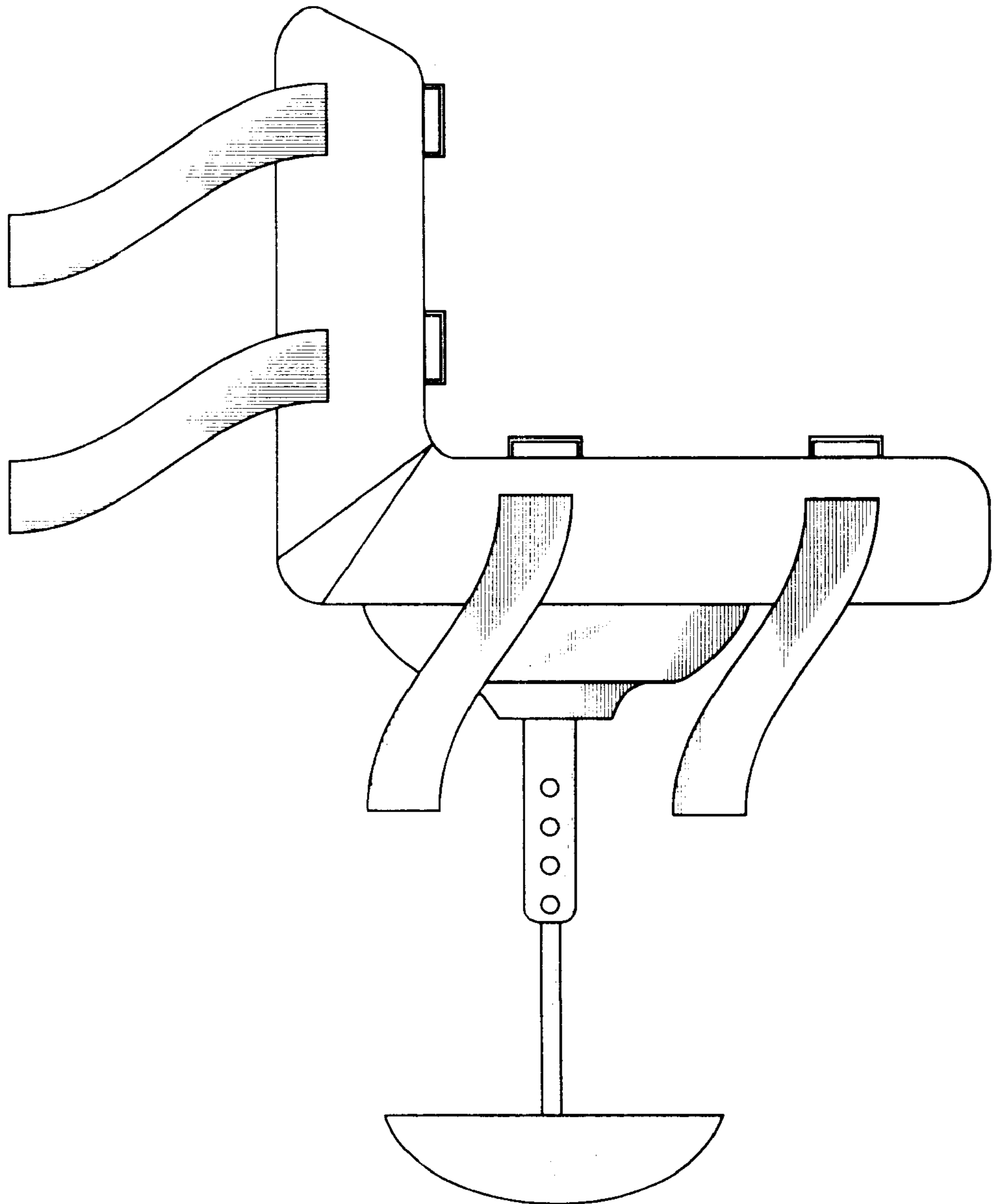


Fig. 2

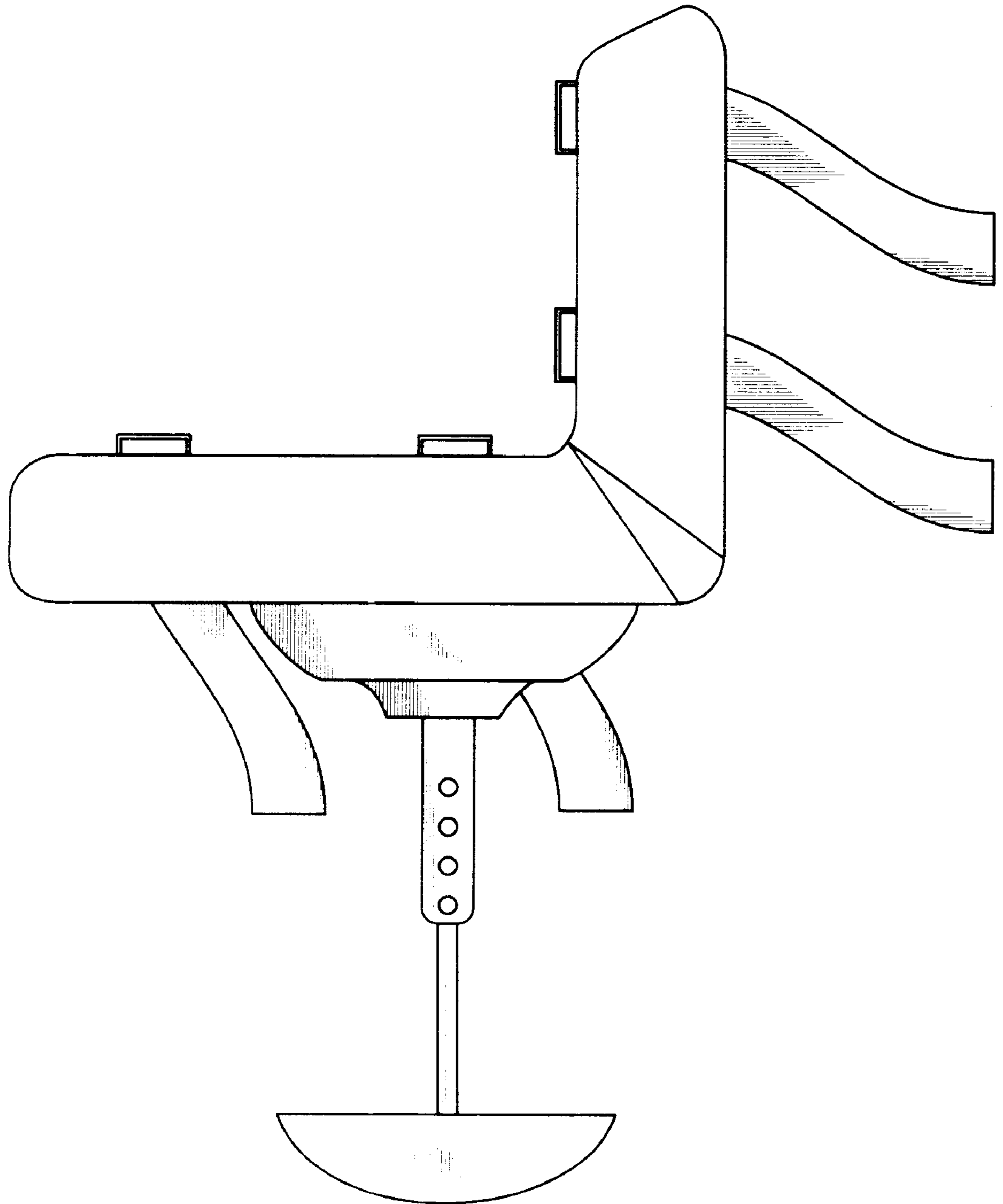


Fig. 3

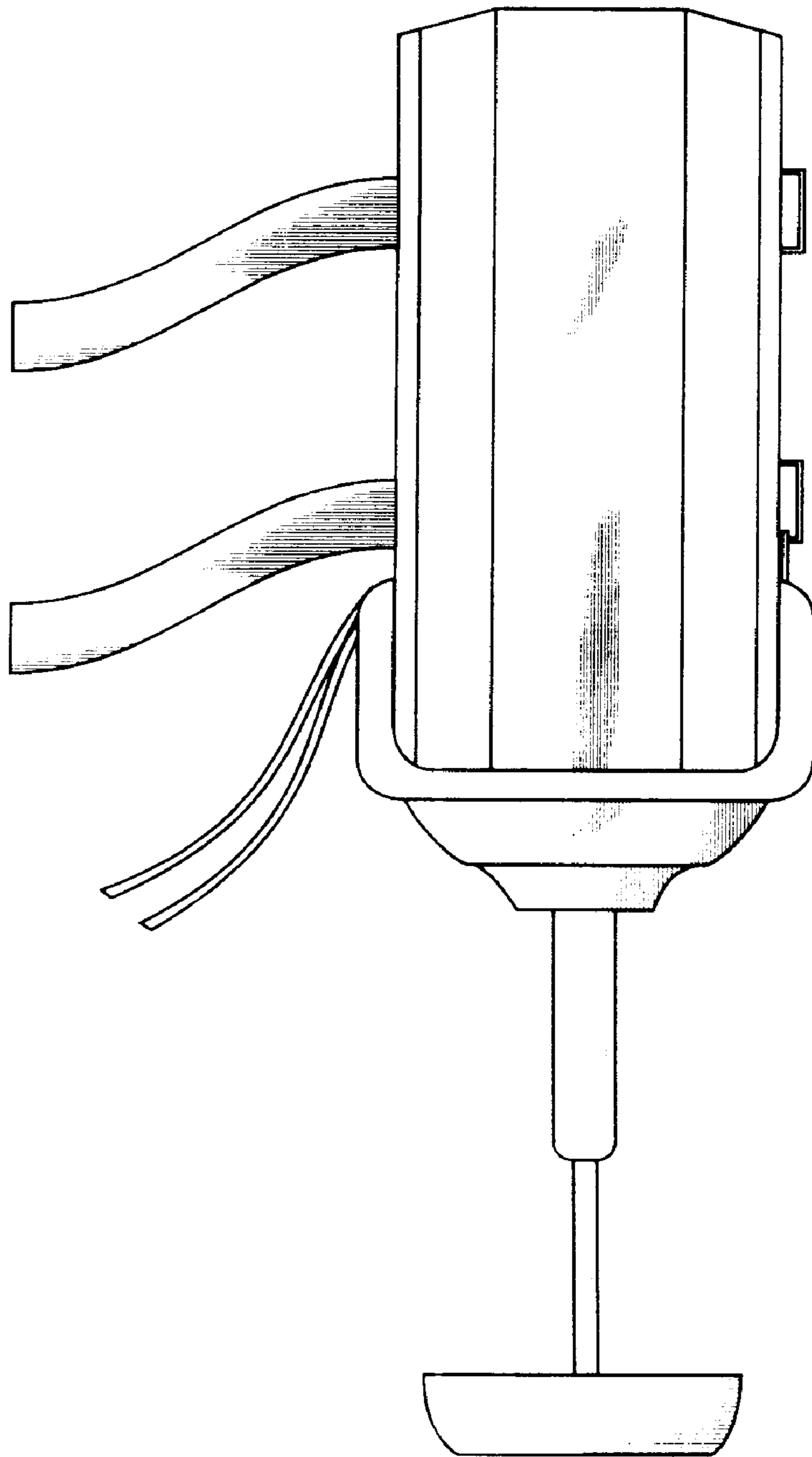


Fig. 4

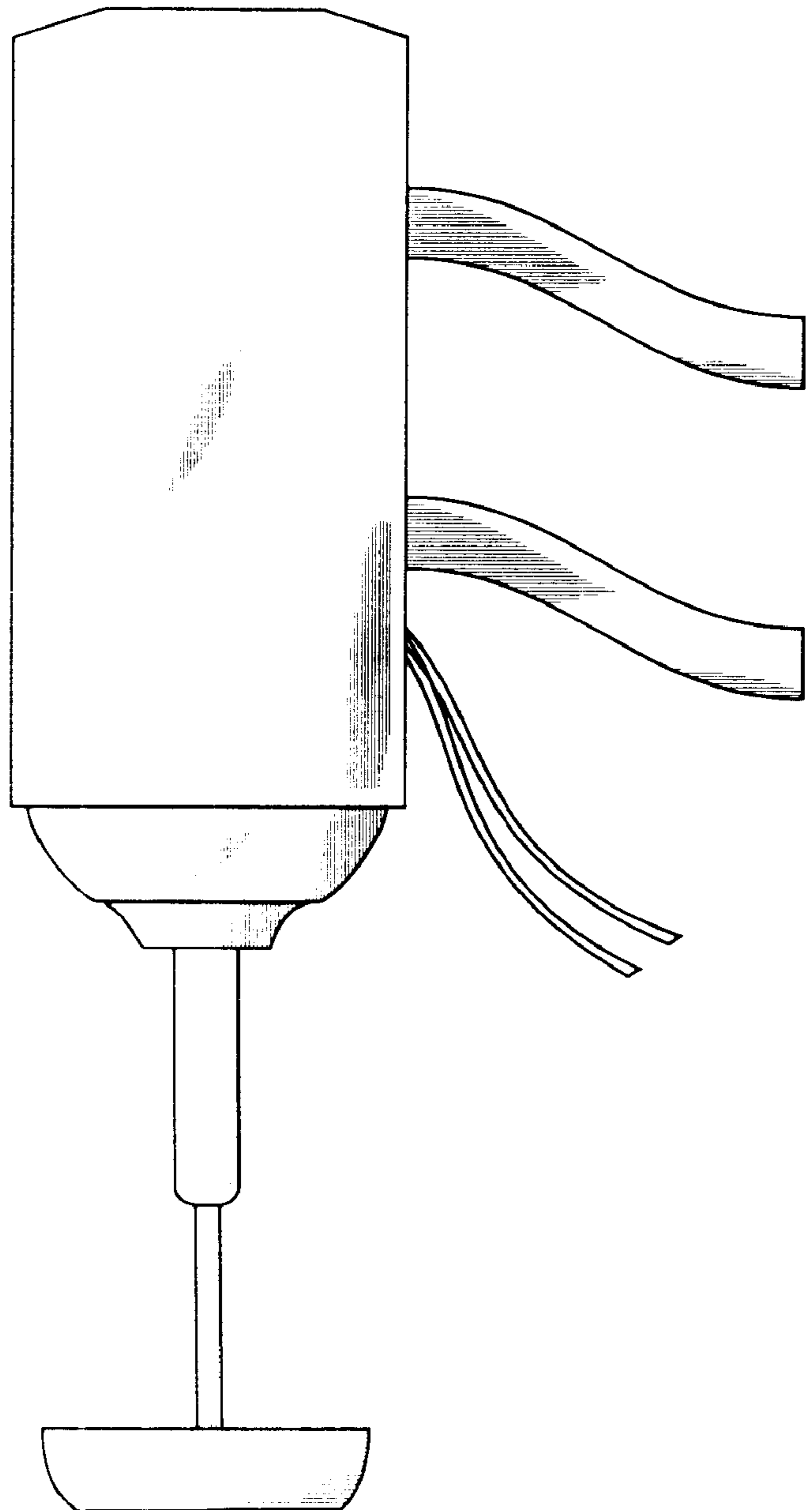


Fig. 5

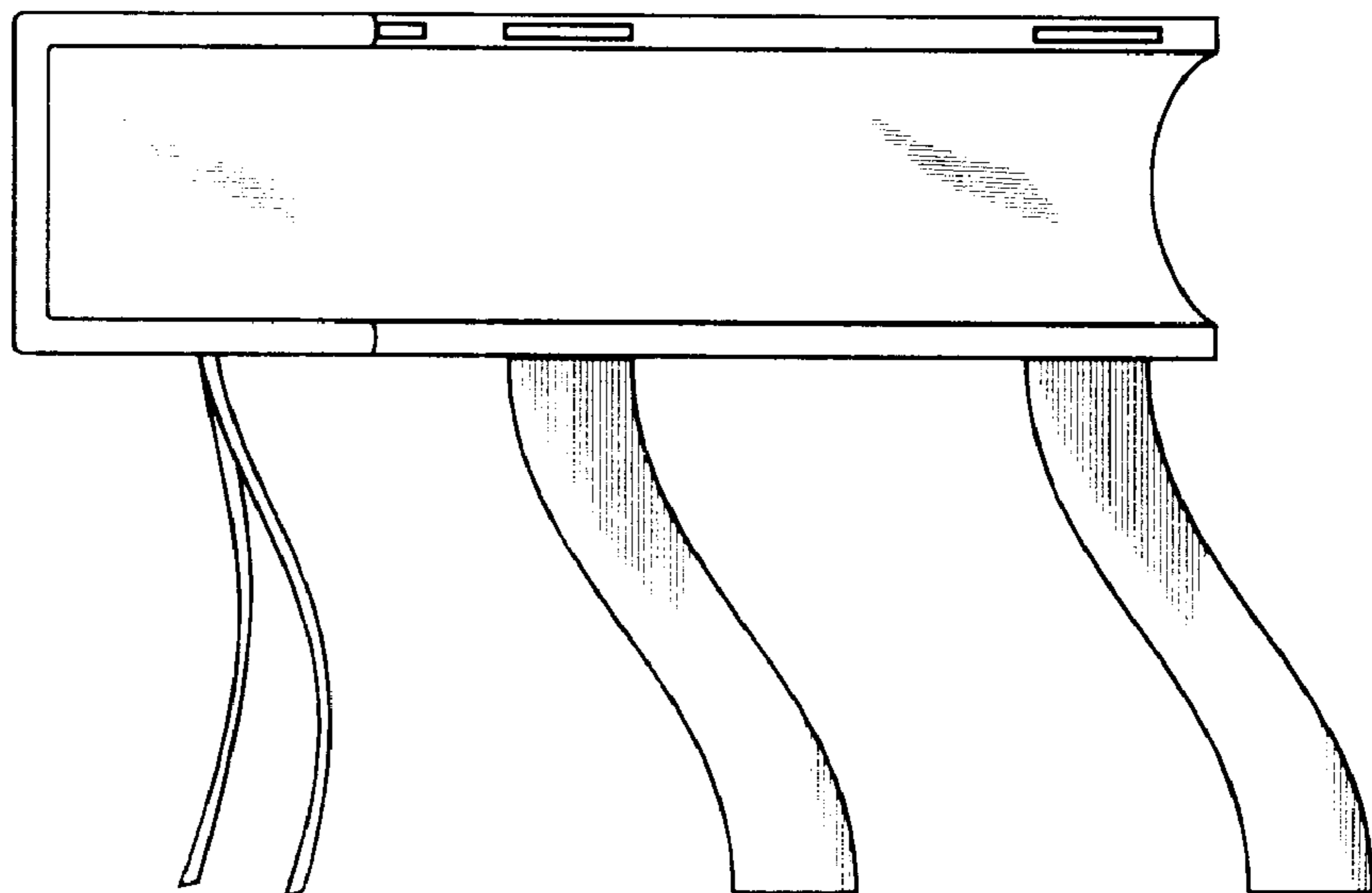


Fig. 6

