



US00D462121S

(12) **United States Design Patent**  
**Cartledge et al.**

(10) **Patent No.: US D462,121 S**

(45) **Date of Patent: \*\* \*Aug. 27, 2002**

(54) **INFUSION PUMP CARTRIDGE**  
  
(75) Inventors: **Richard G. Cartledge; Hugh F. Smisson, III**, both of Macon, GA (US);  
**Jeffery O. Brown**, North Logan, UT (US)

(73) Assignee: **Smisson-Cartledge Biomedical LLC**,  
Macon, GA (US)

(\* ) Notice: This patent is subject to a terminal disclaimer.

(\*\*) Term: **14 Years**

(21) Appl. No.: **29/118,861**

(22) Filed: **Feb. 17, 2000**

(51) **LOC (7) Cl. .... 24-02**

(52) **U.S. Cl. .... D24/111**

(58) **Field of Search** ..... D24/111; 604/118,  
604/67, 30, 34, 151, 153; 128/DIG. 13,  
DIG. 12; 417/477.2, 477.6, 477.1, 479,  
474, 360

(56) **References Cited**

**U.S. PATENT DOCUMENTS**

3,985,133 A	10/1976	Jenkins et al. ....	128/214
4,012,177 A	3/1977	Yakich .....	417/477
4,187,057 A	2/1980	Xanthopoulos .....	417/63
4,256,437 A	3/1981	Brown .....	417/45
4,275,726 A	6/1981	Schael .....	128/213
4,410,322 A	10/1983	Archibald .....	604/153
4,475,901 A	10/1984	Kraegen et al. ....	604/67
4,537,561 A	8/1985	Xanthopoulos .....	417/63
4,685,902 A	8/1987	Edwards et al. ....	604/153
4,747,826 A	5/1988	Sassano .....	604/52
4,808,167 A	2/1989	Mann et al. ....	604/151
4,856,972 A	8/1989	Van Benschoten et al. .	417/477
4,950,136 A	8/1990	Haas et al. ....	417/477
5,061,241 A	10/1991	Stephens, Jr. et al. ....	604/114
5,104,374 A	4/1992	Bishko et al. ....	604/31
5,236,162 A	8/1993	Desjardins .....	248/214

5,308,333 A	5/1994	Skakoon .....	604/126
5,366,346 A	11/1994	Danby .....	417/18
5,385,540 A	1/1995	Abbott et al. ....	604/4
5,415,532 A	5/1995	Loughnane et al. ....	417/411
5,419,684 A	5/1995	Struble et al. ....	417/44.2
5,464,391 A	11/1995	DeVale .....	604/67
5,482,446 A	1/1996	Williamson .....	417/474
D367,323 S	* 2/1996	Carr et al. ....	D24/111
D371,194 S	* 6/1996	Marston et al. ....	D24/111
5,573,502 A	11/1996	LeCocq et al. ....	604/4
5,577,891 A	11/1996	Loughnane et al. ....	417/53
D376,848 S	* 12/1996	Zeilig et al. ....	D24/111
5,746,719 A	5/1998	Farra et al. ....	604/151
5,755,691 A	5/1998	Hilborne .....	604/151
5,782,805 A	7/1998	Meinzer et al. ....	604/131
5,840,068 A	11/1998	Cartledge .....	604/131
5,928,196 A	7/1999	Johnson et al. ....	604/153
D427,305 S	* 6/2000	Cole et al. ....	D24/111
6,165,154 A	* 12/2000	Gray et al. ....	604/153

**FOREIGN PATENT DOCUMENTS**

EP	0120284	2/1984
WO	WO 97/21456	6/1997

\* cited by examiner

*Primary Examiner*—Ian Simmons

(74) *Attorney, Agent, or Firm*—Sutherland Asbill & Brennan, LLP

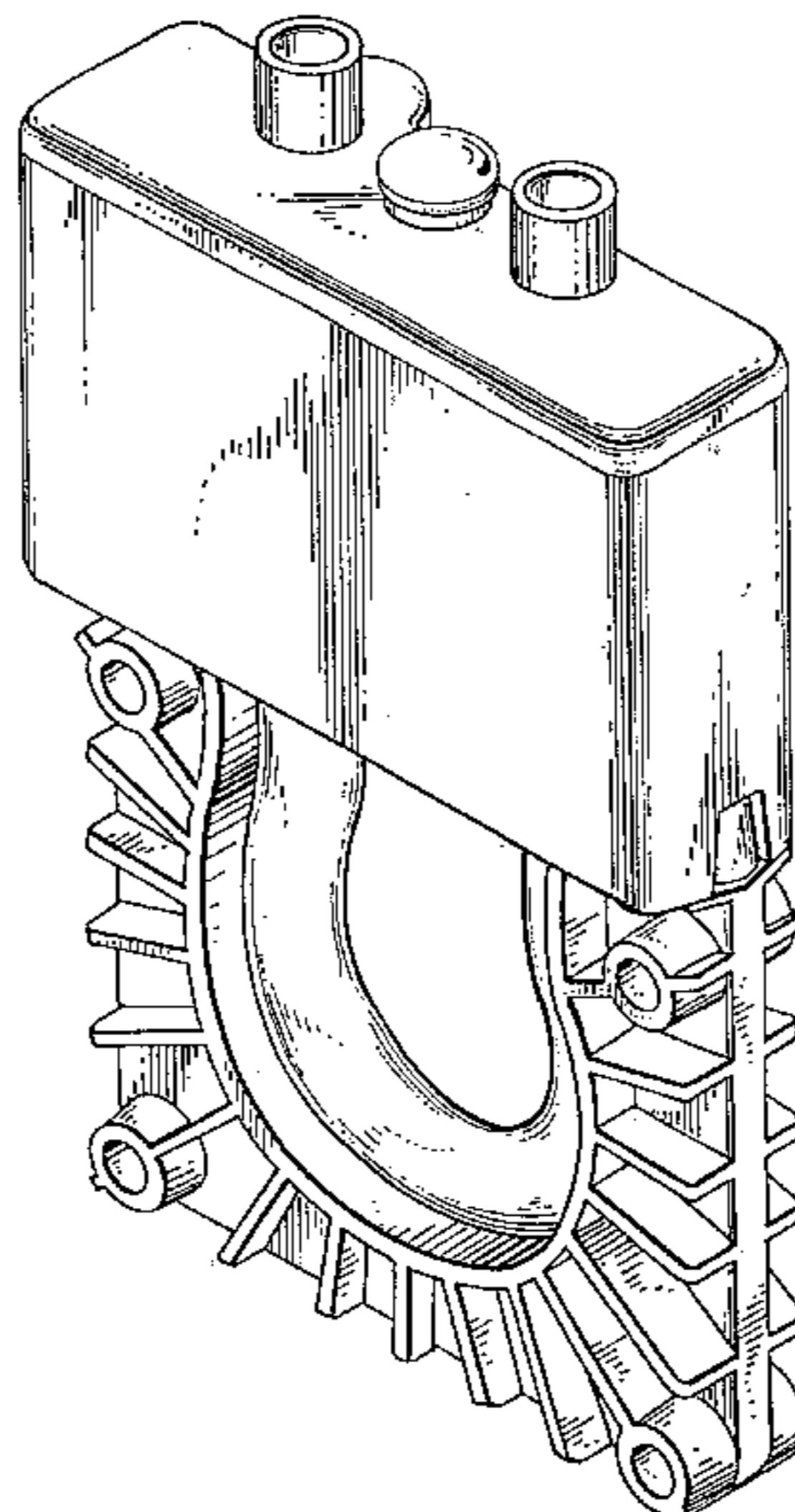
(57) **CLAIM**

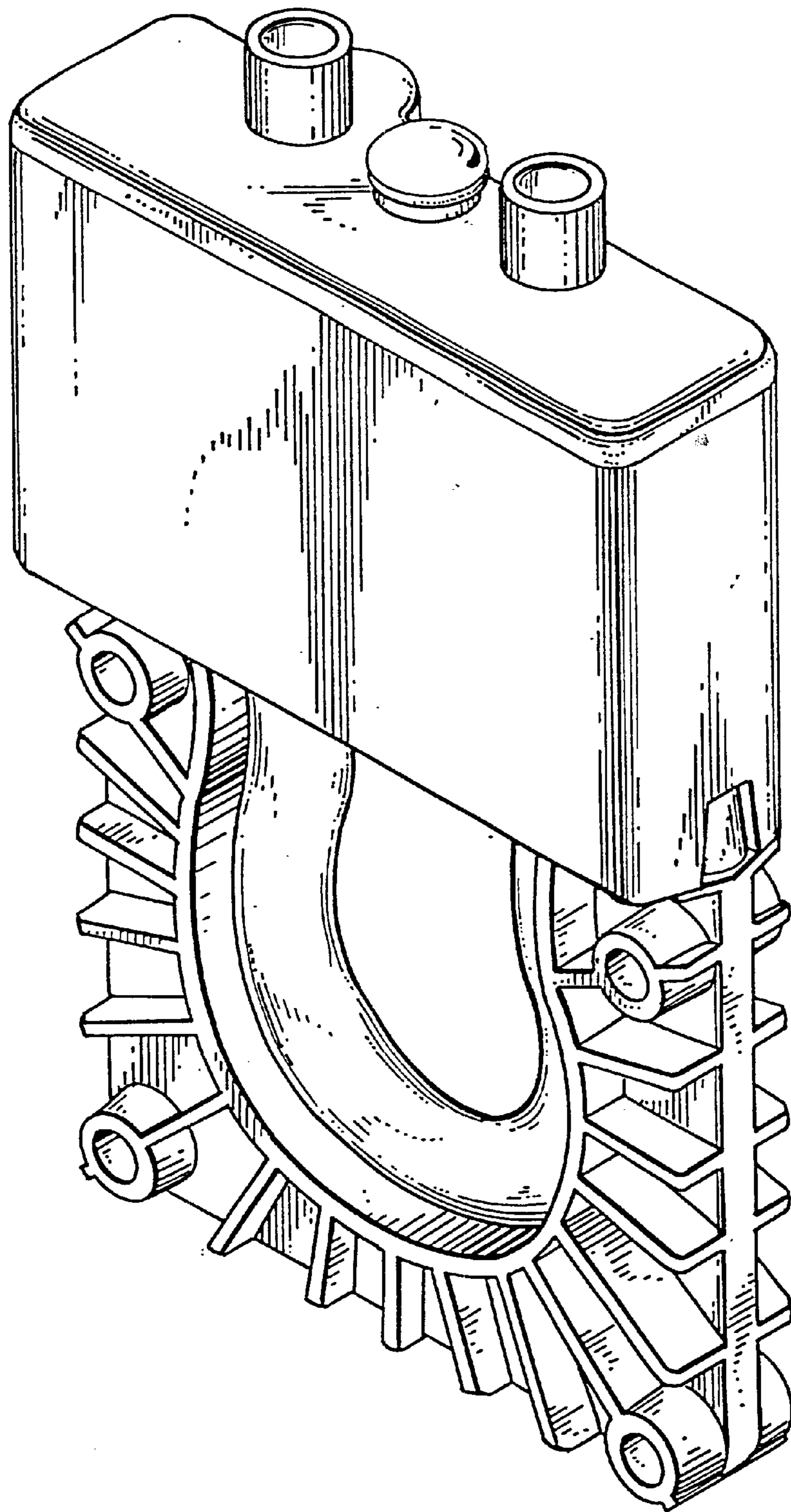
The ornamental design for an infusion pump cartridge, as shown.

**DESCRIPTION**

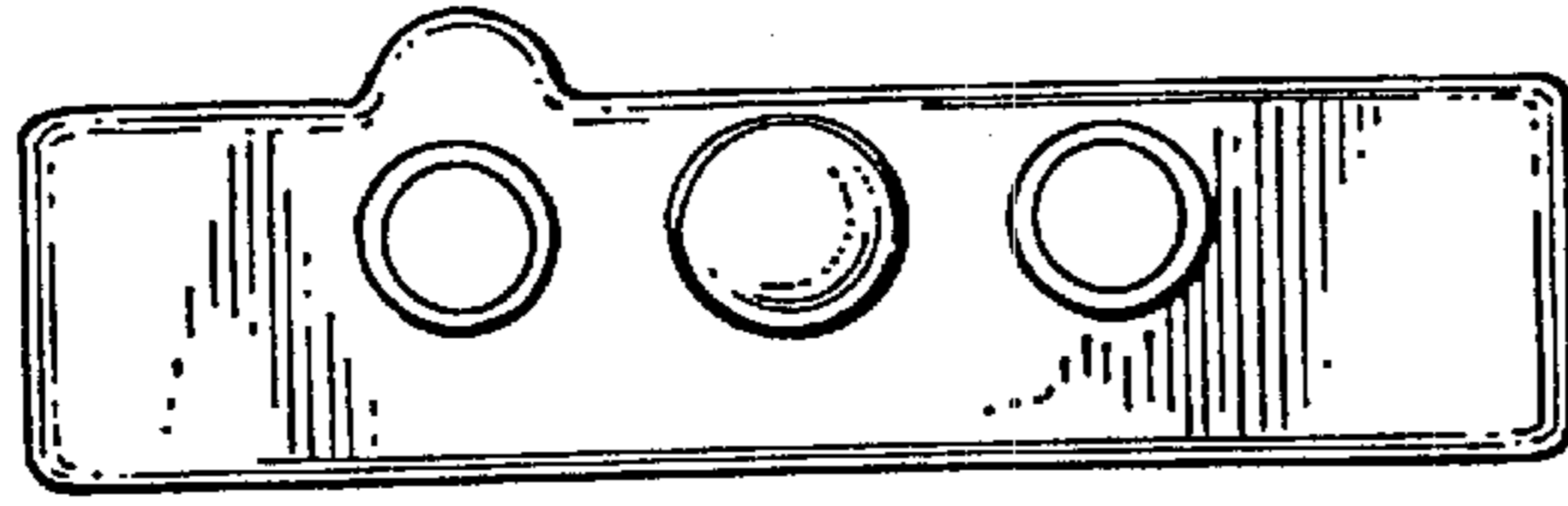
FIG. 1 is a perspective view of the new infusion pump cartridge;  
FIG. 2 is a top plan view thereof;  
FIG. 3 is a front elevational view thereof;  
FIG. 4 is a right side elevational view thereof;  
FIG. 5 is a left side elevational view thereof;  
FIG. 6 is a rear elevational view thereof; and,  
FIG. 7 is a bottom plan view thereof.

**1 Claim, 3 Drawing Sheets**

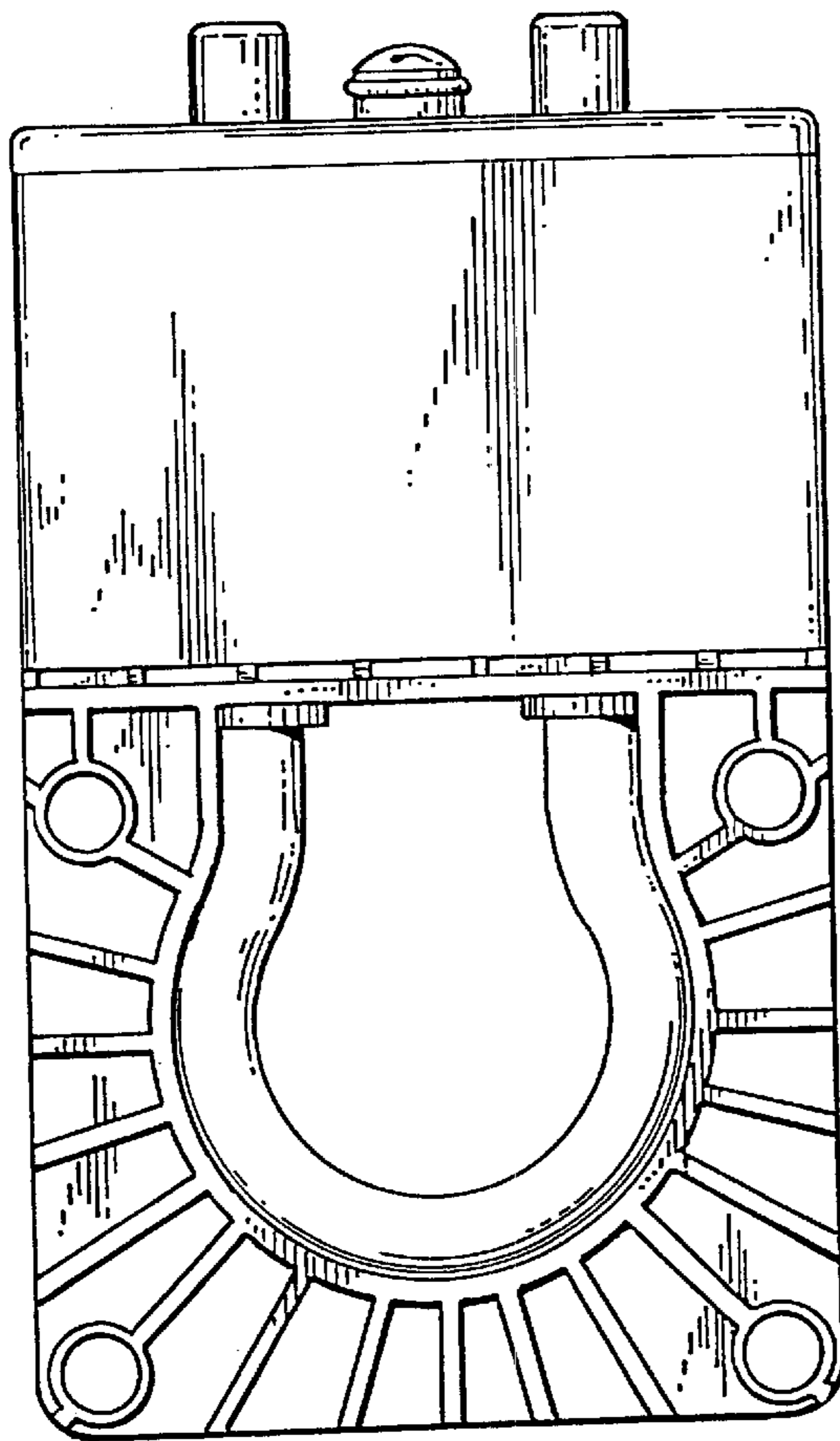




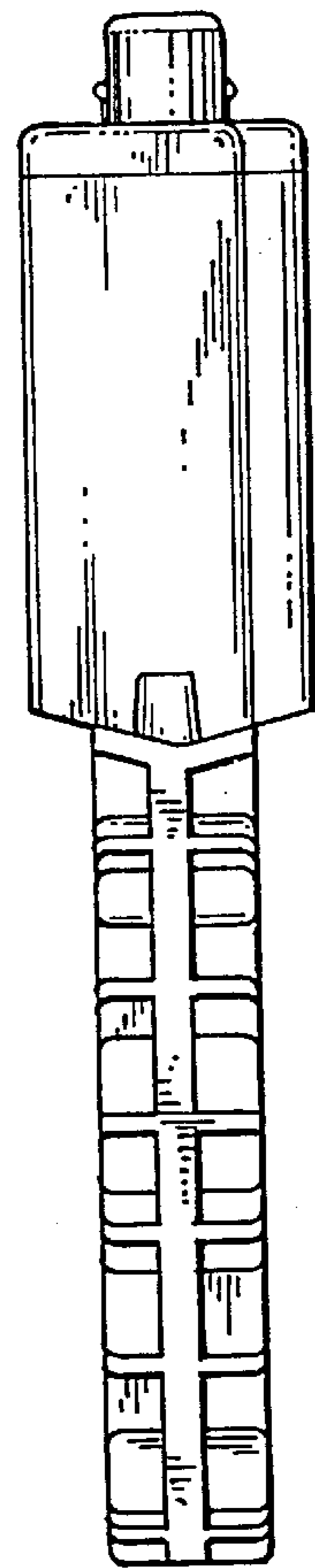
**Fig. 1**



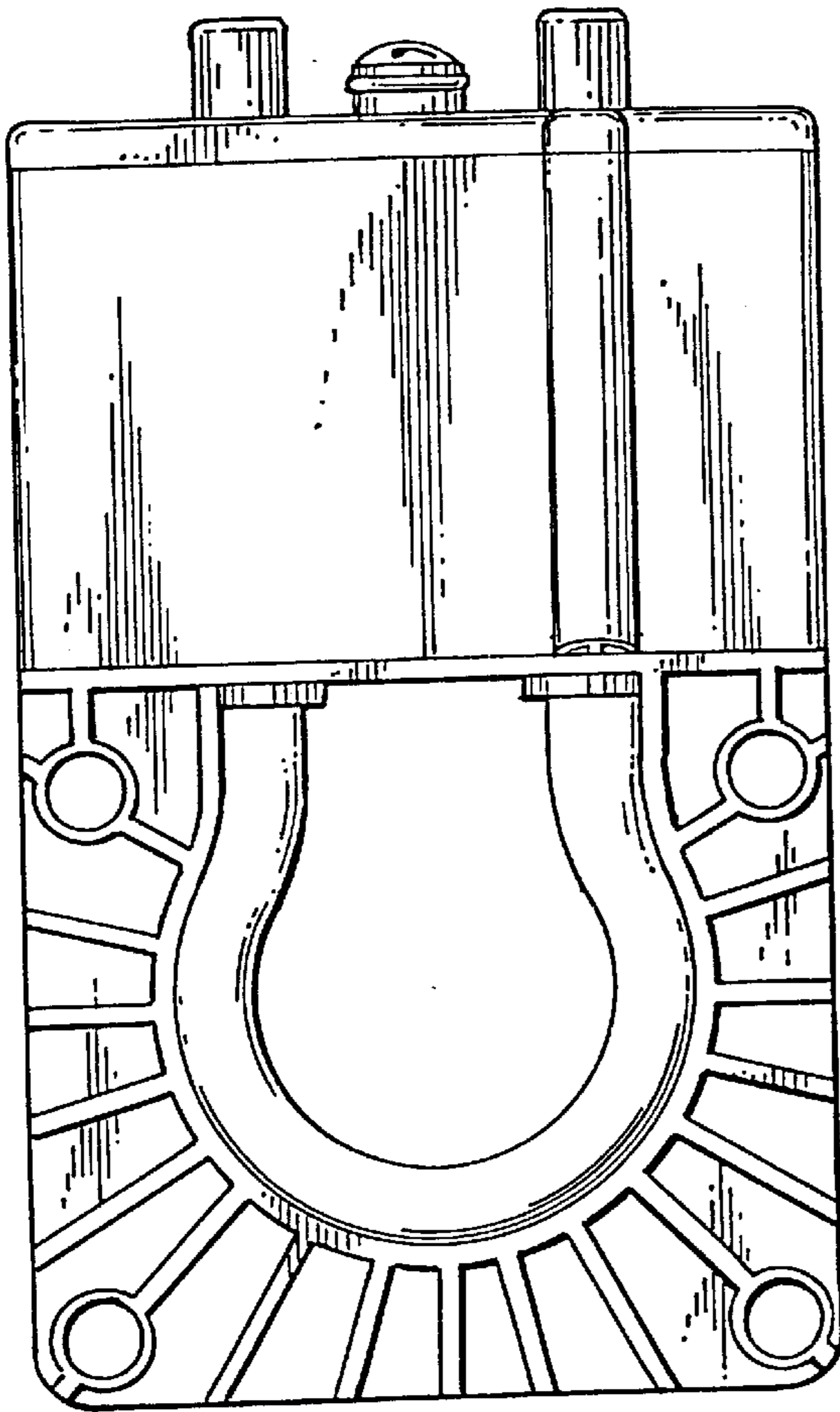
**Fig. 2**



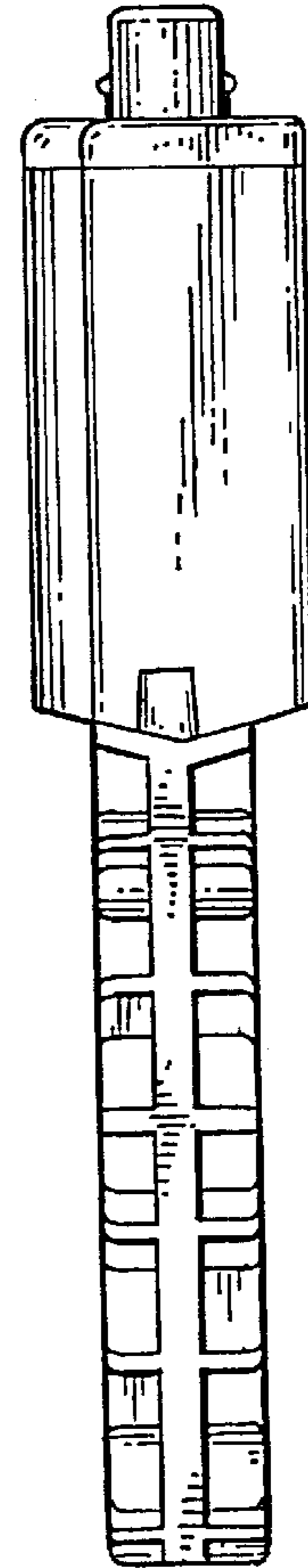
**Fig. 3**



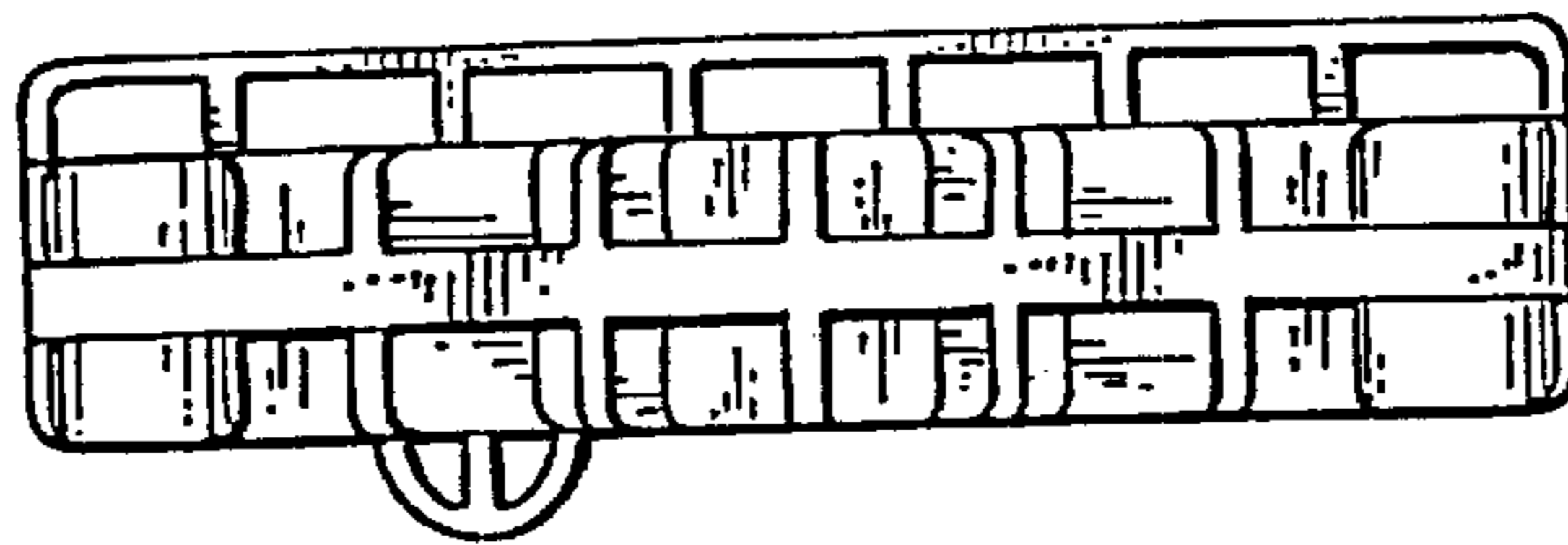
**Fig. 4**



**Fig. 6**



**Fig. 5**



**Fig. 7**