



US00D462118S

(12) **United States Design Patent**  
**Staggs, Jr.**

(10) **Patent No.:** **US D462,118 S**

(45) **Date of Patent:** **\*\* Aug. 27, 2002**

(54) **TOILET VENTILATOR AND DUCTING**

(76) Inventor: **William C. Staggs, Jr.**, 12825 Border St., P.O. Box 37, Mayer, AZ (US) 86333

(\*\*) Term: **14 Years**

(21) Appl. No.: **29/154,283**

(22) Filed: **Jan. 23, 2002**

(51) **LOC (7) Cl.** ..... **23-04**

(52) **U.S. Cl.** ..... **D23/371**

(58) **Field of Search** ..... D23/370, 371; 4/213, 216, 217

(56) **References Cited**

**U.S. PATENT DOCUMENTS**

5,806,104 A \* 9/1998 Hand ..... 4/209 FF  
2002/0032923 A1 \* 3/2002 Prisco ..... 4/213

\* cited by examiner

*Primary Examiner*—Lisa Lichtenstein

(57) **CLAIM**

The ornamental design for a toilet ventilator and ducting, as shown and described.

**DESCRIPTION**

FIG. 1 is a front view of a toilet ventilator and ducting showing my new design.

FIG. 2 is a rear view of the toilet ventilator and ducting.

FIG. 3 is a first side view of the toilet ventilator and ducting.

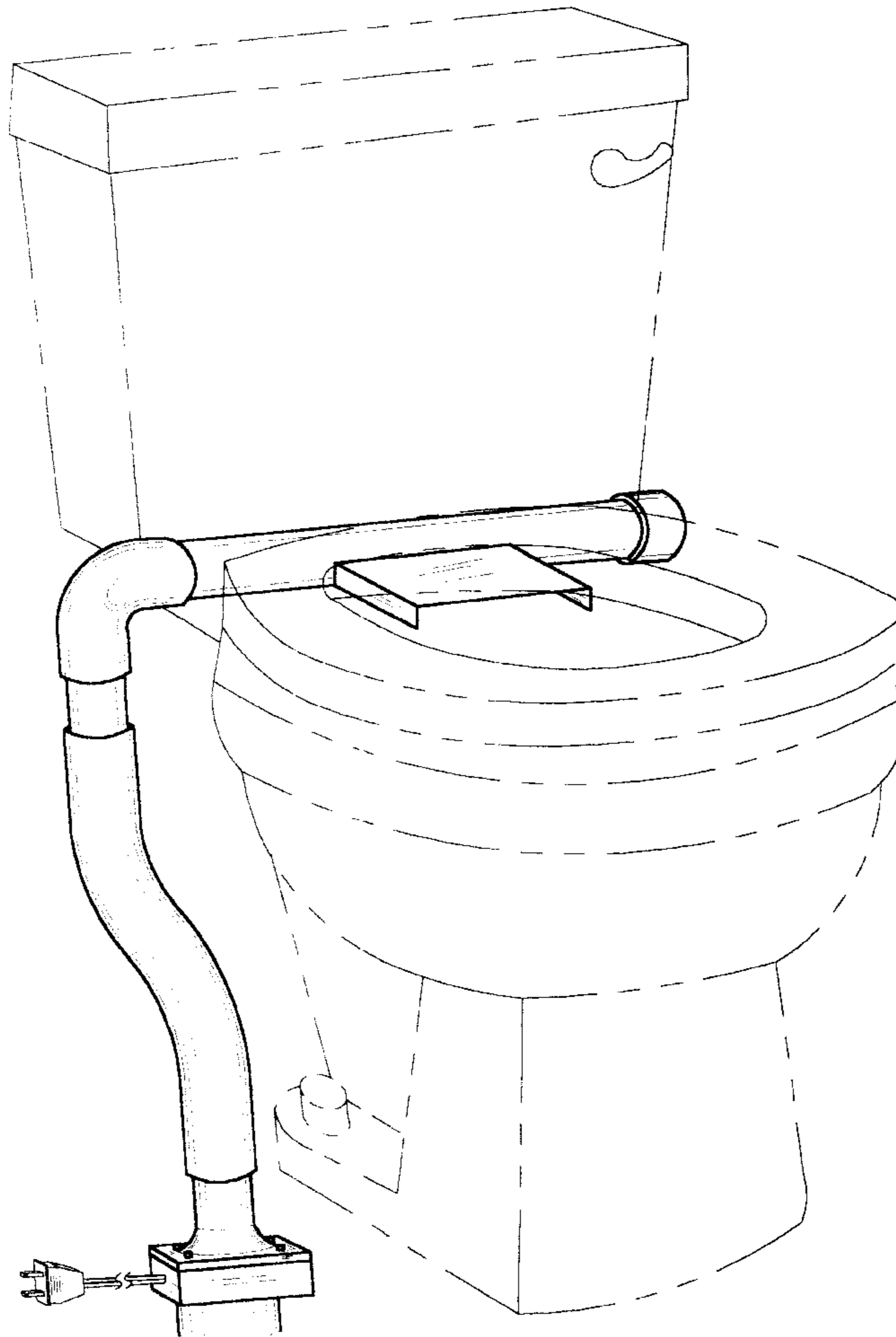
FIG. 4 is a second side view of the toilet ventilator and ducting.

FIG. 5 is a top view of the toilet ventilator and ducting.

FIG. 6 is a bottom view of the toilet ventilator and ducting. The broken line showing of a toilet in FIG. 6 is for illustrative purposes only and forms no part of the claimed design; and,

FIG. 7 is a perspective view of the toilet ventilator and ducting. The broken line showing of a toilet in FIG. 7 is for illustrative purposes only and forms no part of the claimed design.

**1 Claim, 5 Drawing Sheets**



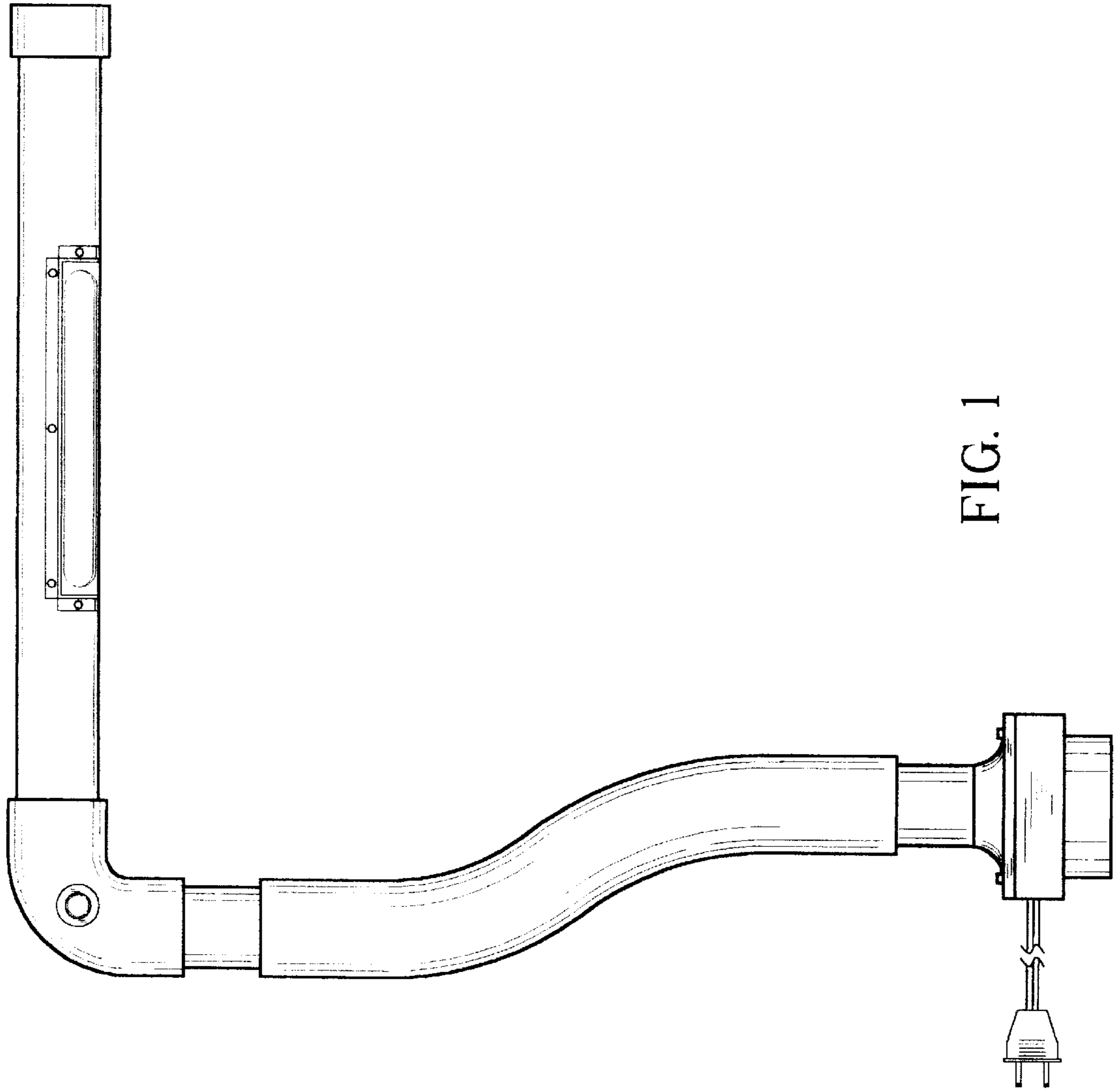


FIG. 1

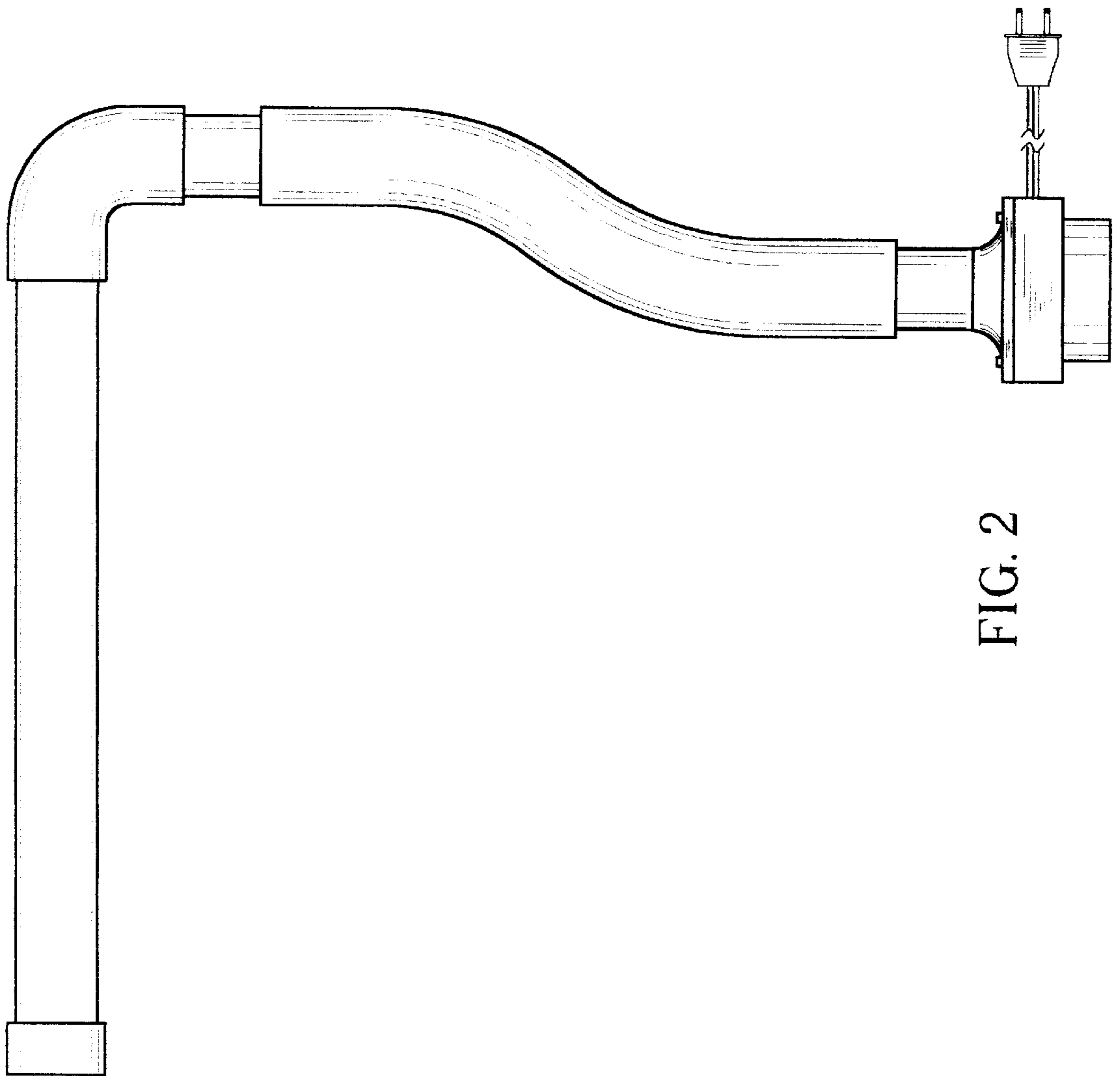


FIG. 2

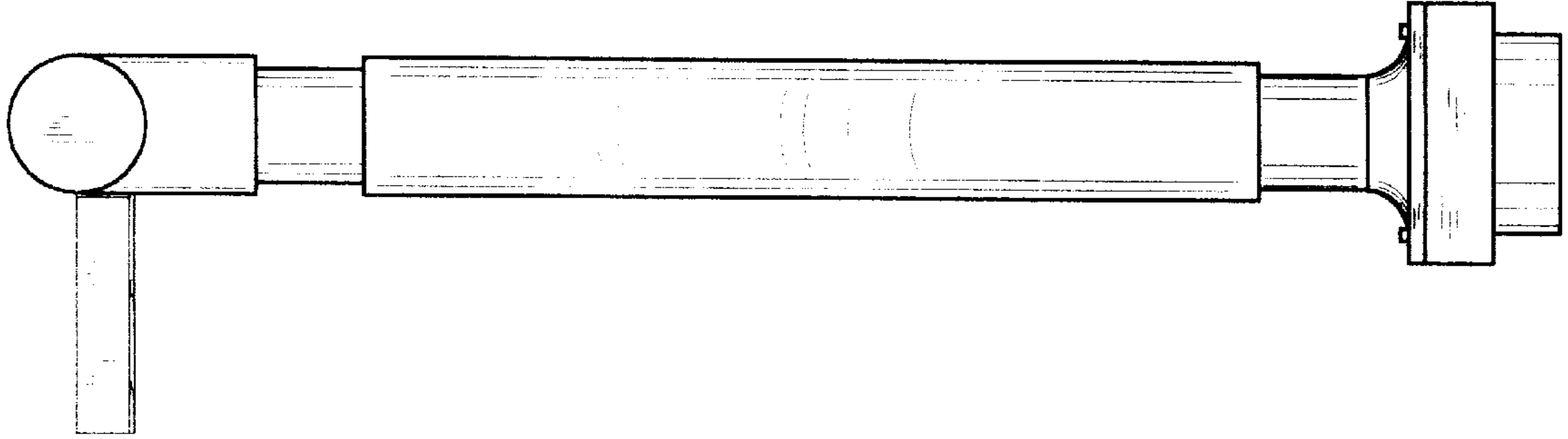


FIG. 4

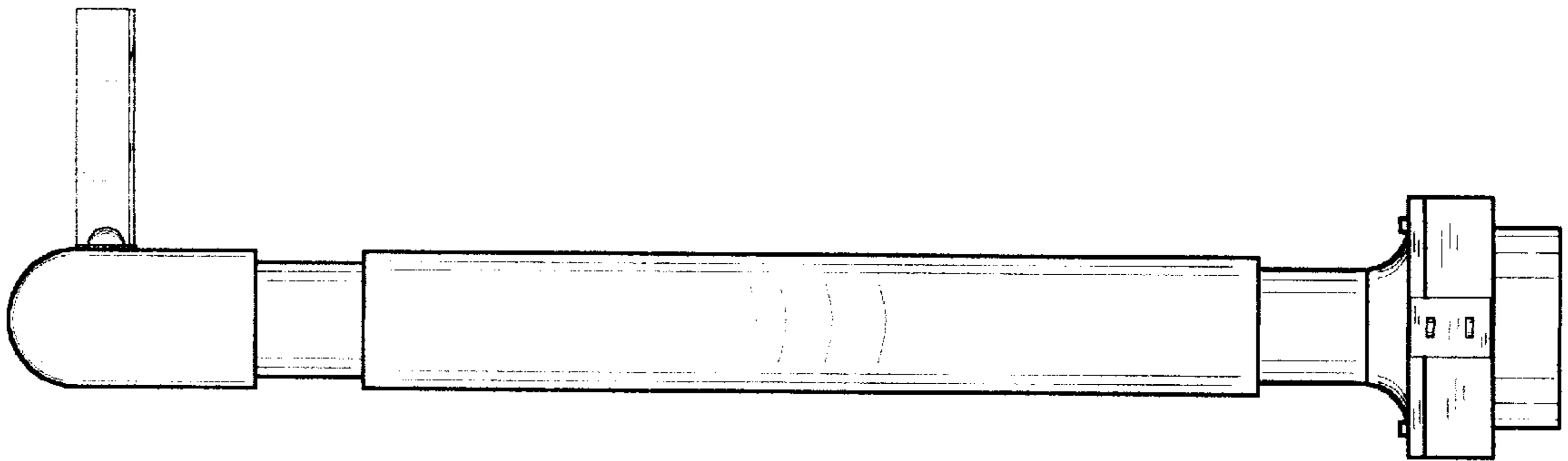


FIG. 3

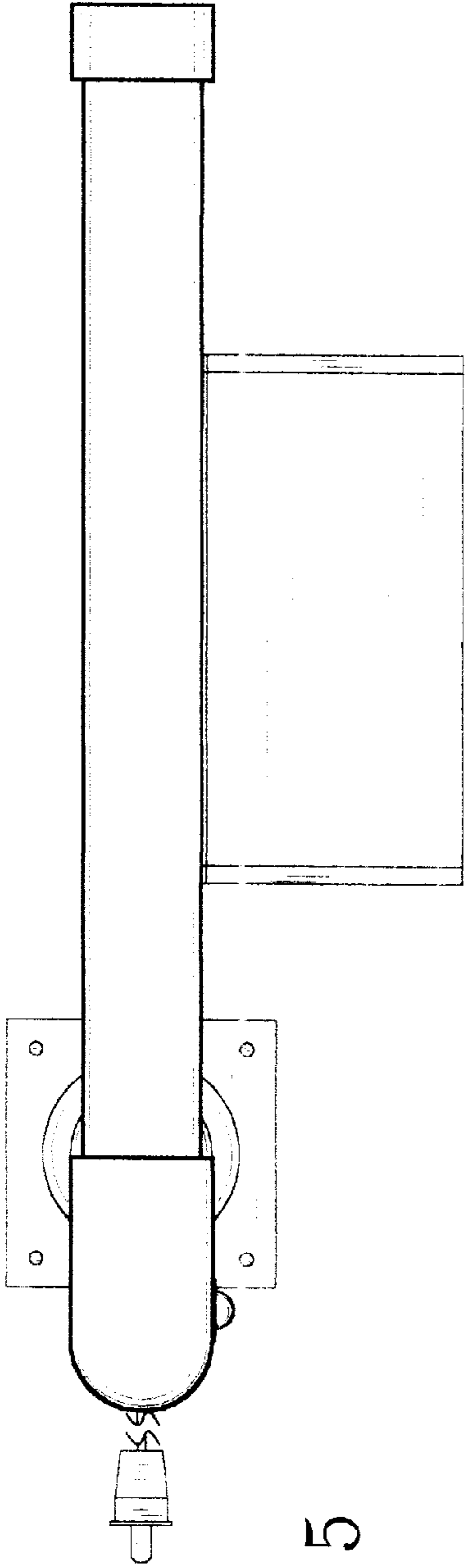


FIG. 5

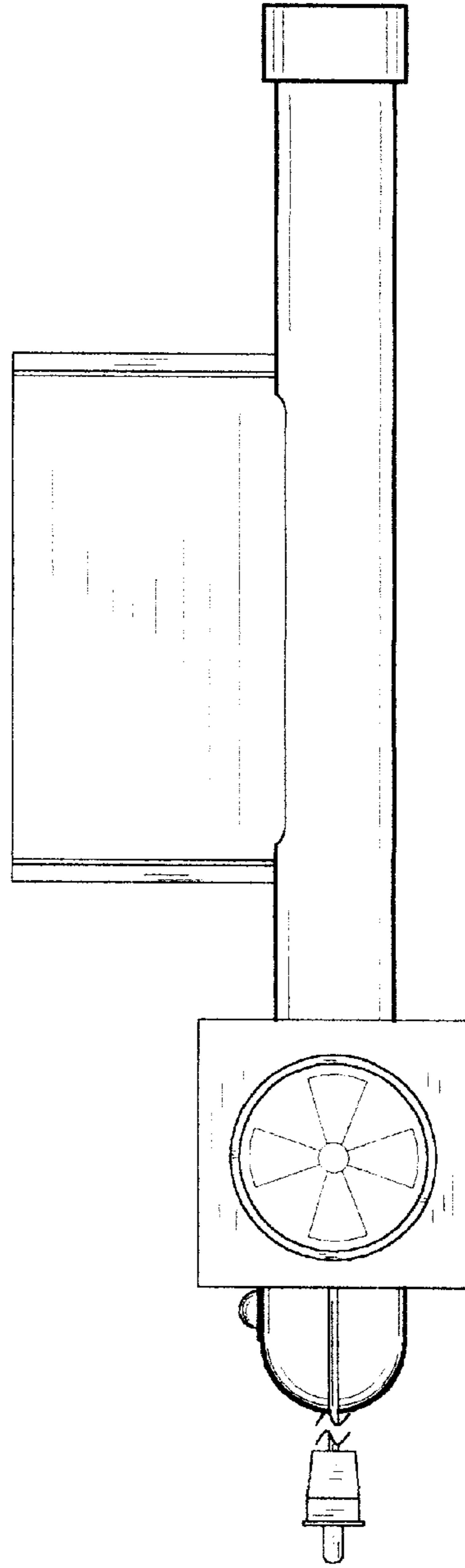


FIG. 6

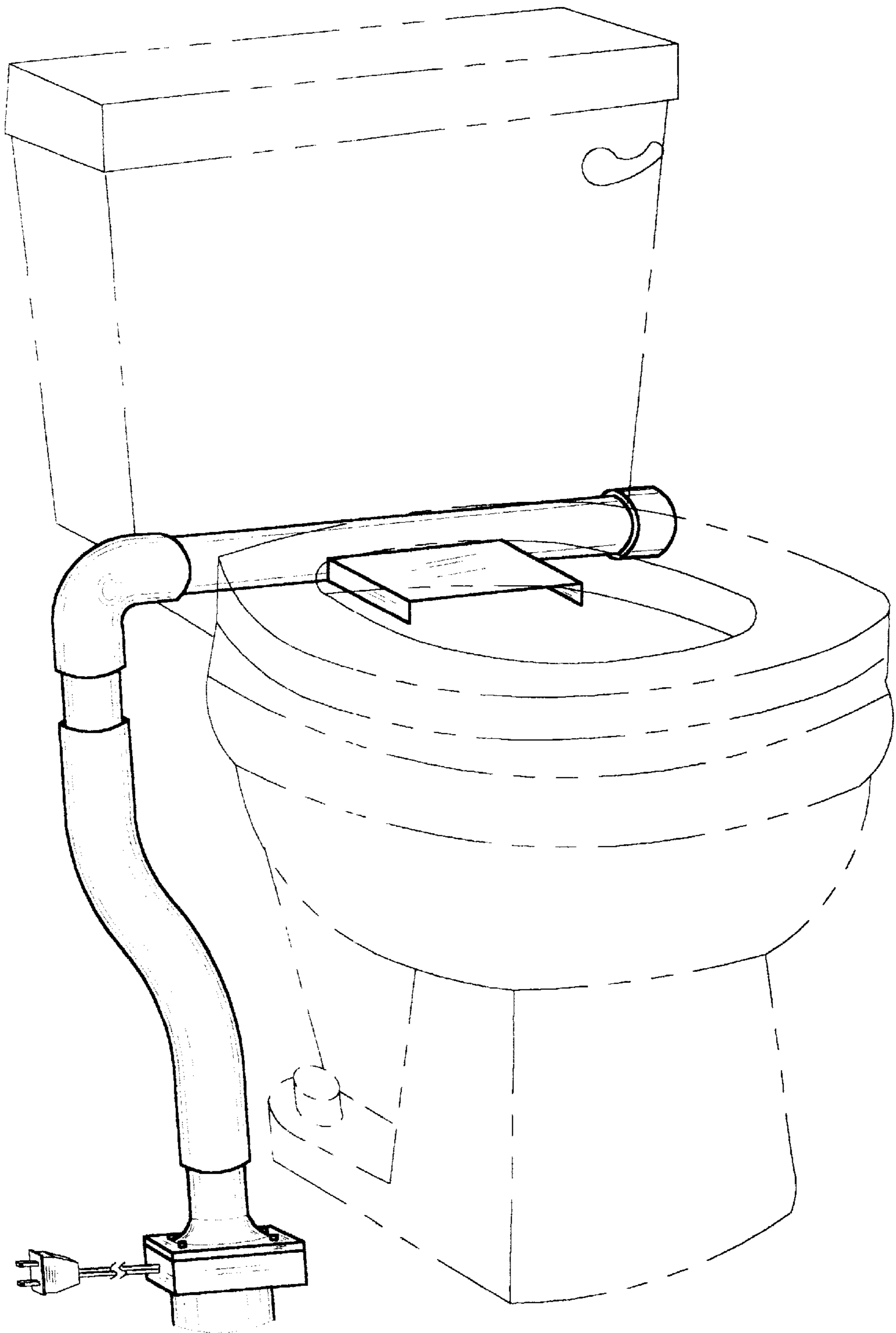


FIG. 7