



US00D462117S

(12) **United States Design Patent**
Gieseke et al.

(10) **Patent No.:** **US D462,117 S**

(45) **Date of Patent:** **** Aug. 27, 2002**

(54) **AIR CLEANER COVER**

(74) *Attorney, Agent, or Firm*—Merchant & Gould P.C.

(75) Inventors: **Steven Scott Gieseke**, Richfield; **Peter J. Murray**, Bloomington; **Gary J. Rocklitz**, Burnsville; **Junhui Liu**, St. Paul, all of MN (US); **Jeffrey J. Ivarson**, San Rafael, CA (US)

(57) **CLAIM**

The ornamental design for an air cleaner cover, as shown and described.

(73) Assignee: **Donaldson Company, Inc.**, Minneapolis, MN (US)

DESCRIPTION

(**) Term: **14 Years**

FIG. 1 is a perspective view of an air cleaner cover embodying our new design, the portion shown in broken lines being for illustrative purpose only and forming no part of the design sought to be patented;

(21) Appl. No.: **29/137,980**

FIG. 2 is an alternate perspective view of the air cleaner cover depicted in FIG. 1, the portion shown in broken lines being for illustrative purpose only and forming no part of the design sought to be patented;

(22) Filed: **Mar. 2, 2001**

FIG. 3 is a rear elevational view of the air cleaner cover depicted in FIG. 2, the portion shown in broken lines being for illustrative purpose only and forming no part of the design sought to be patented;

(51) **LOC (7) Cl.** **23-04**

(52) **U.S. Cl.** **D23/364**

(58) **Field of Search** D23/364; 55/498; 96/97

FIG. 4 is a front elevational view of the air cleaner cover depicted in FIG. 2, the portion shown in broken lines being for illustrative purpose only and forming no part of the design sought to be patented;

(56) **References Cited**

U.S. PATENT DOCUMENTS

1,641,746	A	9/1927	Donaldson	
1,734,030	A	11/1929	Bennett	
1,864,201	A	6/1932	Kegerreis et al.	
1,934,311	A	11/1933	Kegerreis et al.	
2,417,130	A	3/1947	Russell	
3,357,163	A	* 12/1967	Burger	55/498
3,737,002	A	* 6/1973	Yotsumoto	55/385
3,973,937	A	8/1976	Petersen	
4,013,137	A	3/1977	Petersen	
4,197,102	A	4/1980	Decker	
4,201,557	A	5/1980	Petersen	
4,547,207	A	10/1985	Petersen	
D412,568	S	8/1999	Ward et al.	
D423,659	S	4/2000	Schippanoski	

FIG. 5 is a left elevational view of the air cleaner cover depicted in FIG. 2, the portion shown in broken lines being for illustrative purpose only and forming no part of the design sought to be patented;

FIG. 6 is a right elevational view of the air cleaner cover depicted in FIG. 2, the portion shown in broken lines being for illustrative purpose only and forming no part of the design sought to be patented; and,

FIG. 7 is a top plan view of the air cleaner cover depicted in FIG. 2, the portion shown in broken lines being for illustrative purpose only and forming no part of the design sought to be patented; the bottom plan view not being depicted as it is plain and unornamented, and is not visible during normal use.

* cited by examiner

Primary Examiner—Lisa Lichtenstein

1 Claim, 5 Drawing Sheets

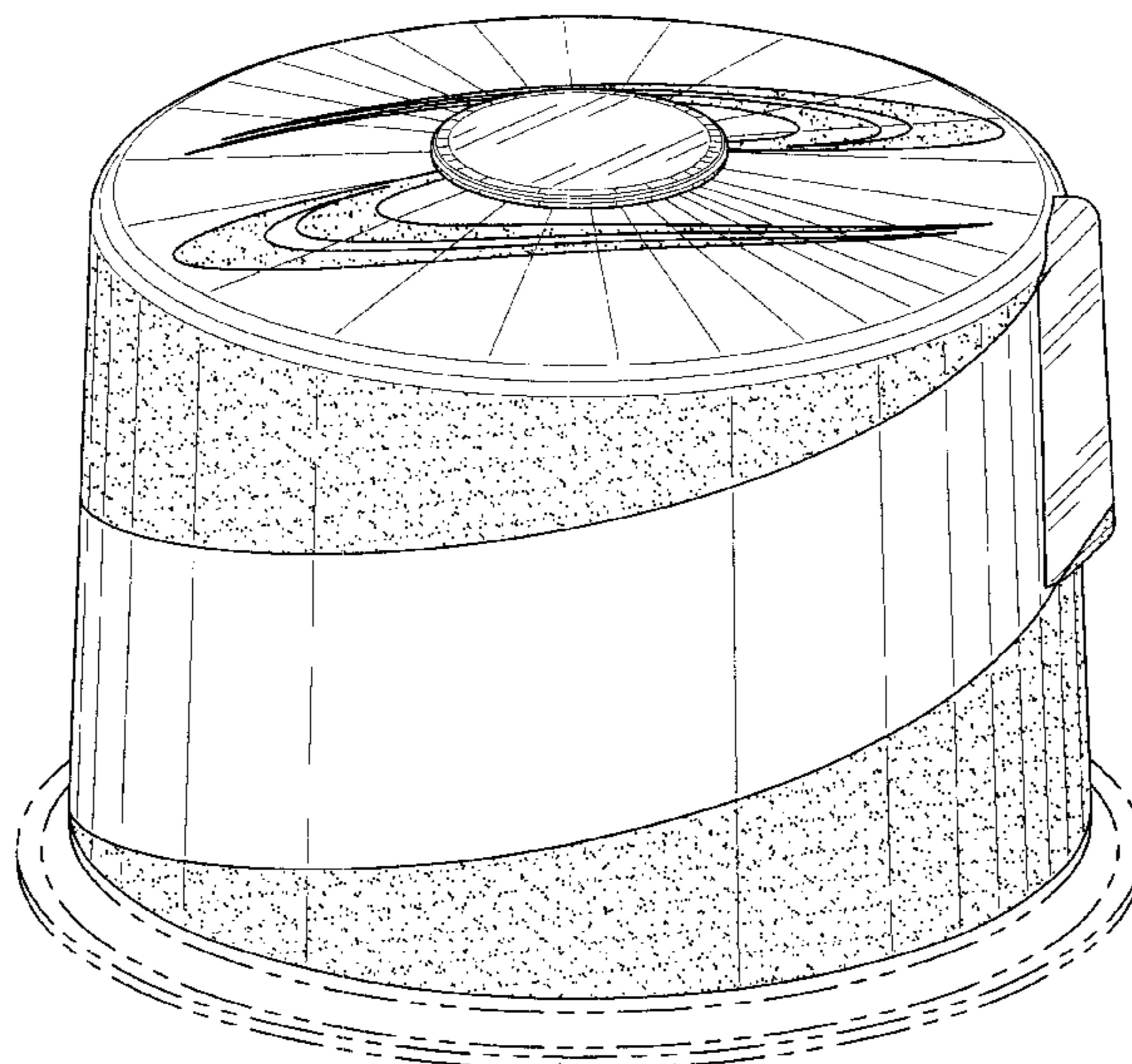


FIG. 1

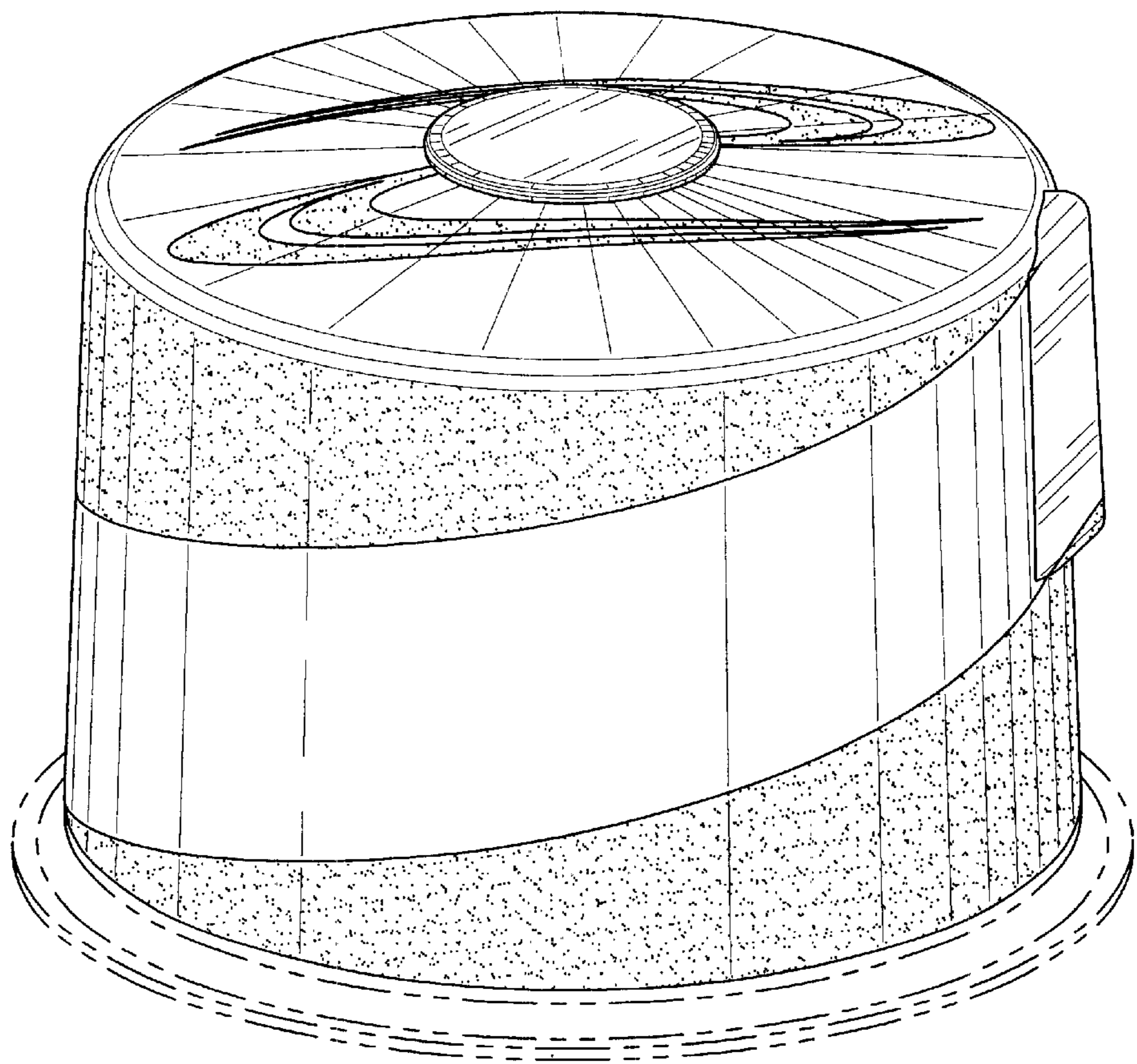


FIG. 2

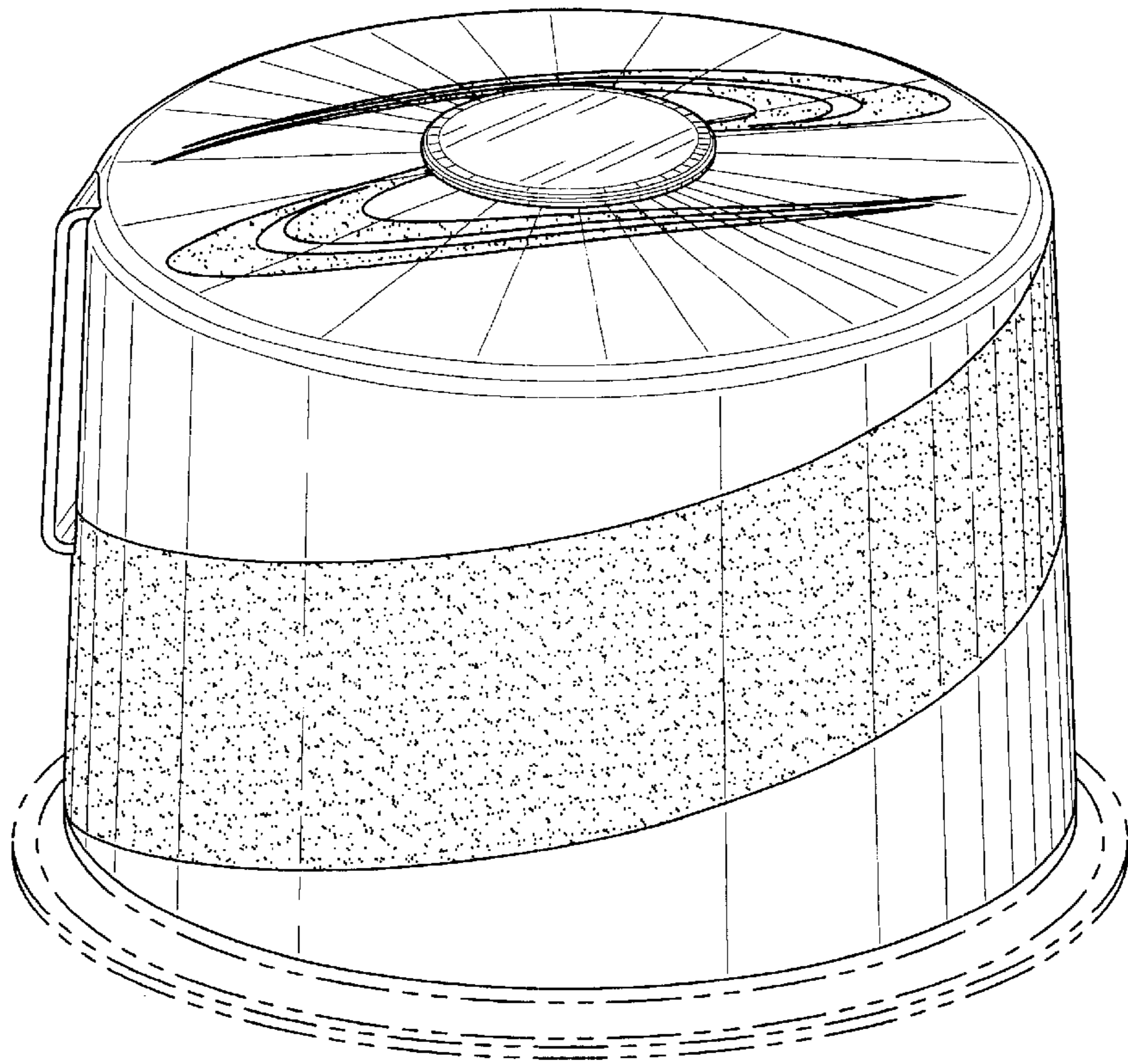


FIG. 3

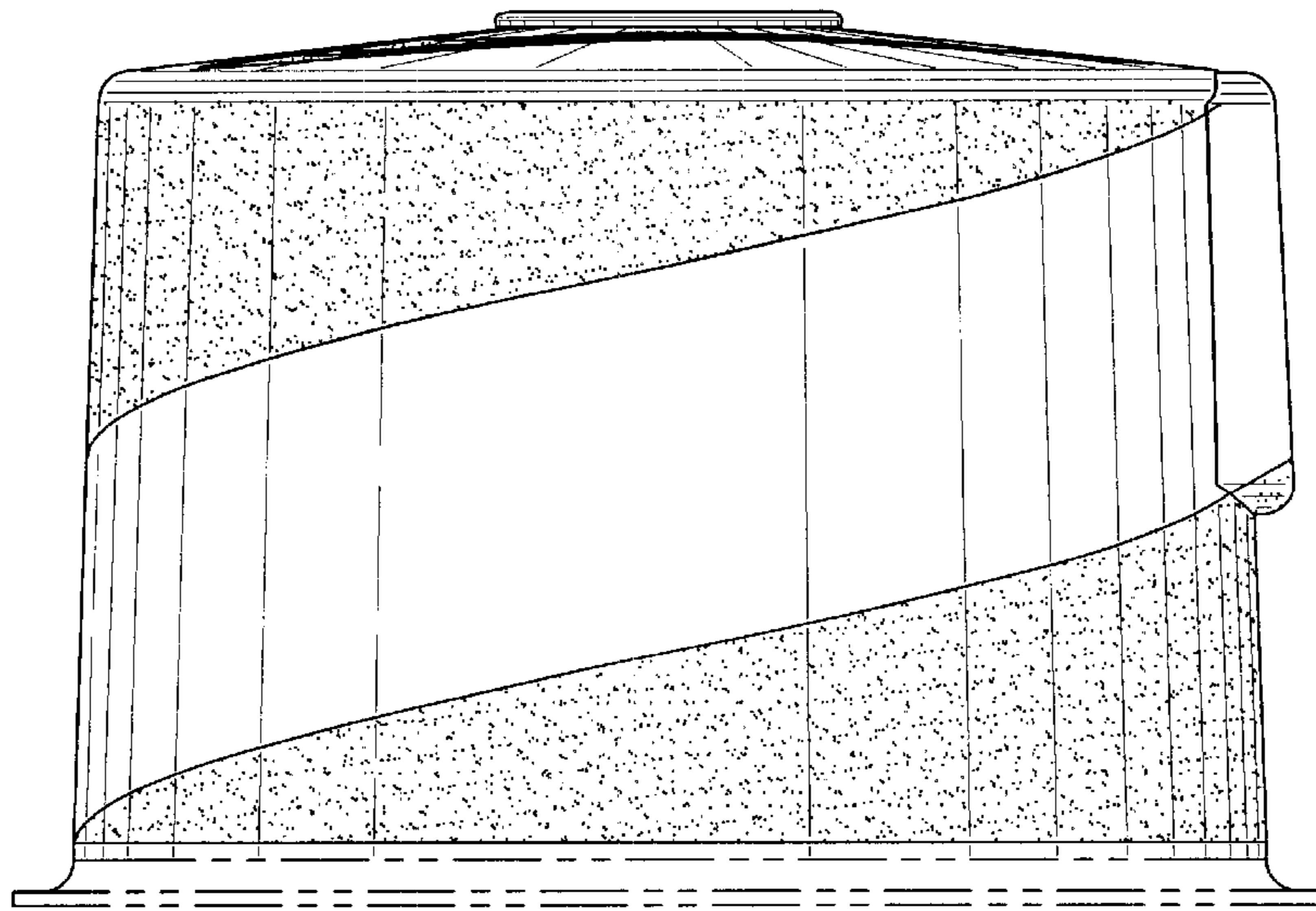


FIG. 4

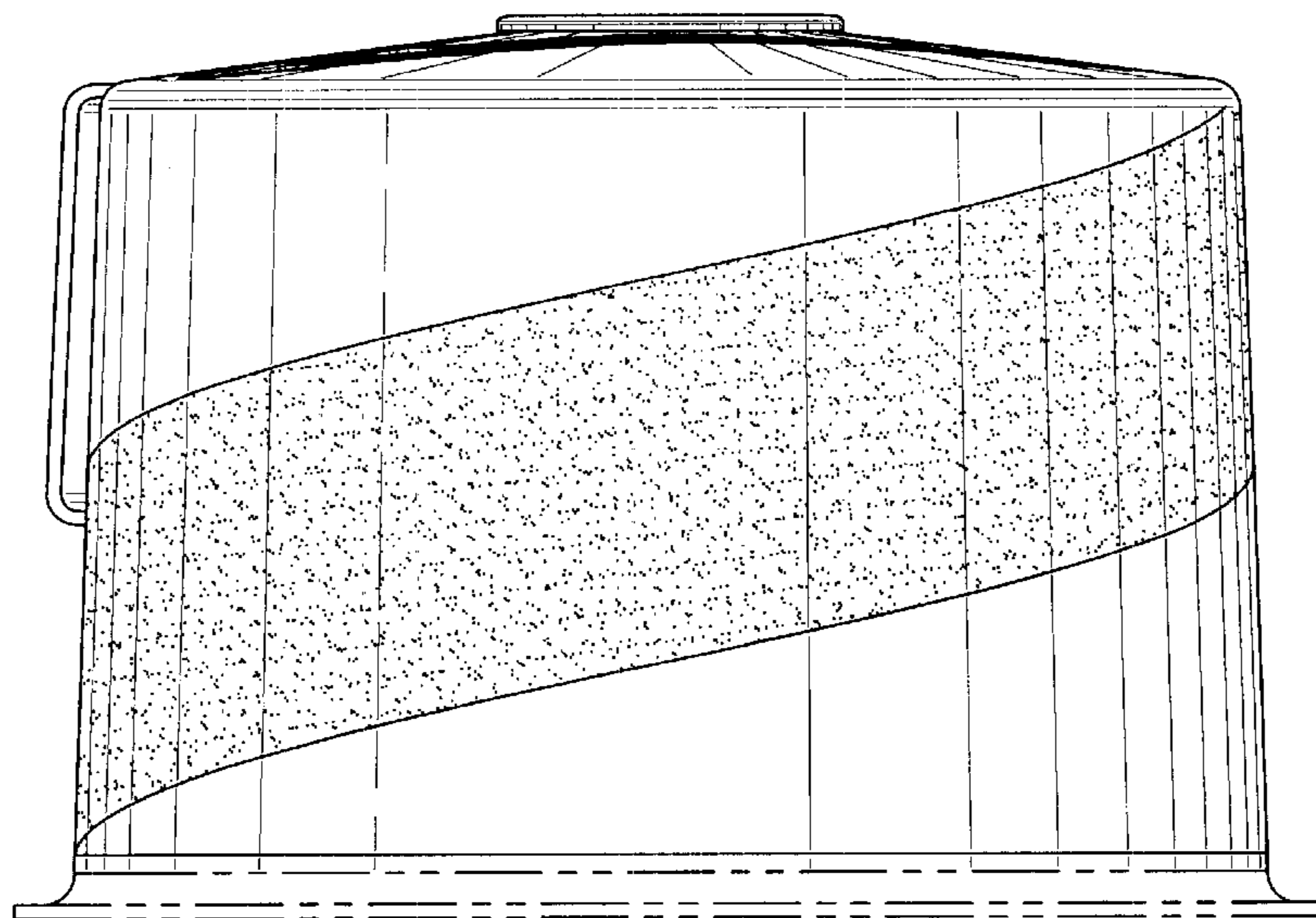


FIG. 5

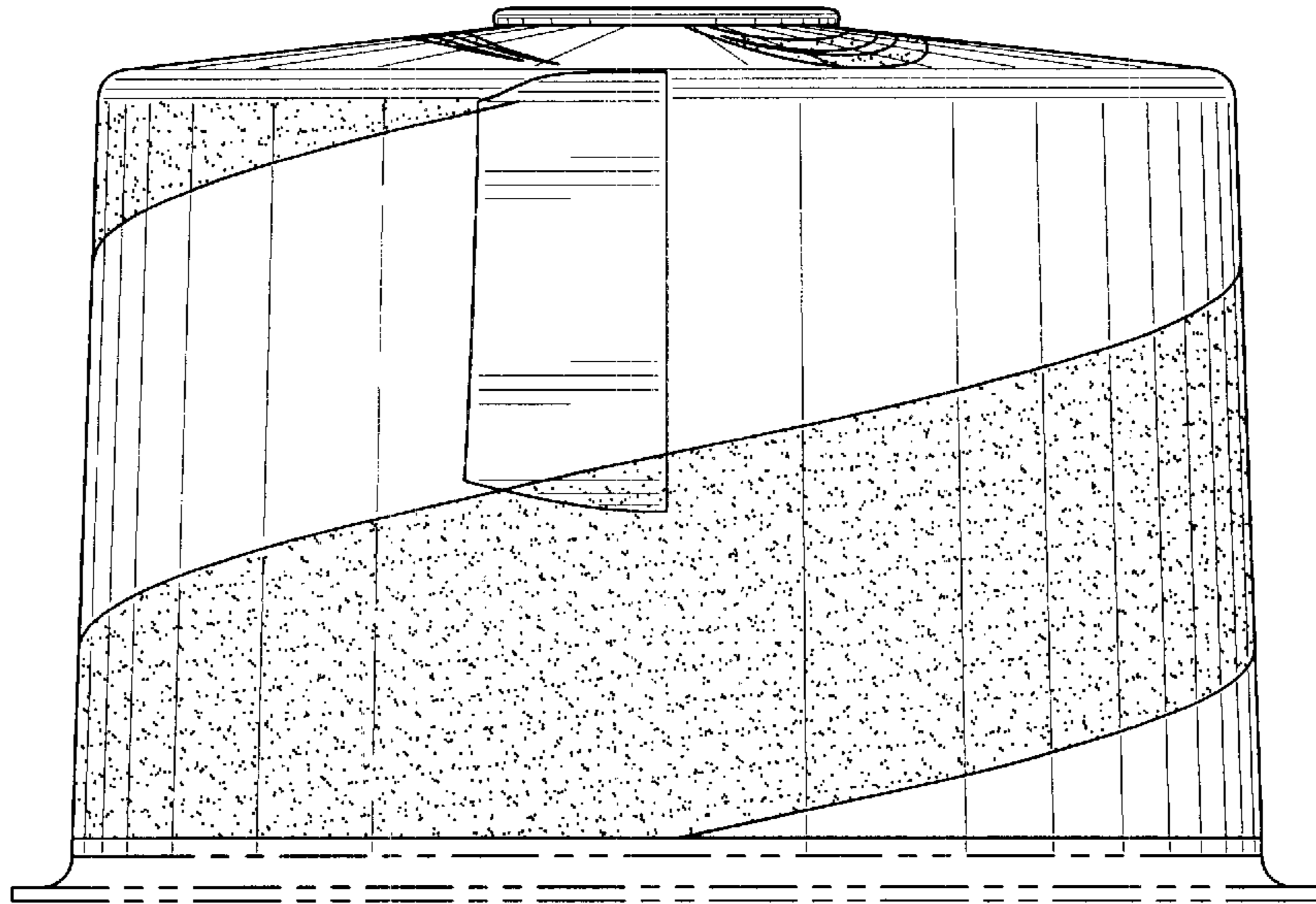


FIG. 6

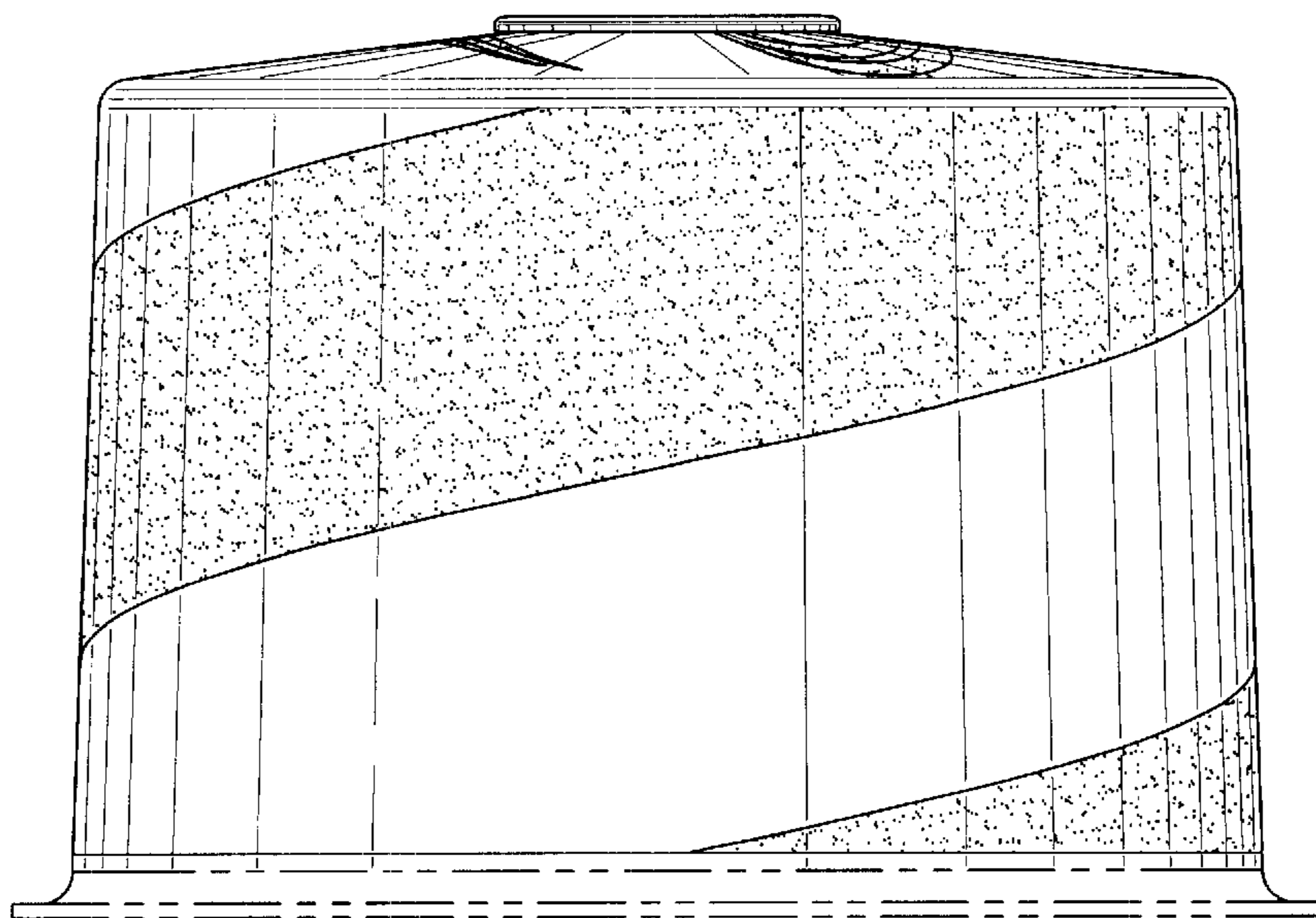


FIG. 7

