



US00D462116S

(12) **United States Design Patent**
Scott

(10) **Patent No.:** **US D462,116 S**

(45) **Date of Patent:** **** Aug. 27, 2002**

(54) **WATER-SAVING DEVICE FOR TOILET TANK**

(76) **Inventor:** **Samuel W. Scott**, 1821 Mactavish Ct., Apt. A1, Rawlins, WY (US) 82301-4530

(**) **Term:** **14 Years**

(21) **Appl. No.:** **29/154,096**

(22) **Filed:** **Jan. 18, 2002**

(51) **LOC (7) Cl.** **23-02**

(52) **U.S. Cl.** **D23/309**

(58) **Field of Search** D23/299, 295, D23/301, 309, 313; 4/300, 328-329, 353-354, 364, 474, 476, DIG. 15, 415; D9/432

(56) **References Cited**

U.S. PATENT DOCUMENTS

948,658	A	*	2/1910	Bailey	4/353
1,067,893	A	*	7/1913	Zwermann	4/415
2,644,950	A	*	7/1953	Chapman	4/346
3,731,324	A	*	5/1973	Moon	4/415
3,768,104	A	*	10/1973	Sanderson	4/227.1
3,812,544	A		5/1974	Risley		
3,981,029	A		9/1976	Johnson		
D251,546	S	*	4/1979	Larsson et al.	D9/432
4,419,772	A	*	12/1983	Smith	4/364
4,536,900	A		8/1985	Hayes		
4,621,380	A	*	11/1986	McGill	4/476
4,945,581	A		8/1990	Harris		
5,067,180	A	*	11/1991	Figeroid	4/326

5,070,548	A		12/1991	Huhnke		
5,249,314	A	*	10/1993	Sweeny et al.	4/415
D344,020	S	*	2/1994	Pavely	D9/432 X
5,375,269	A		12/1994	Schmitz		
5,421,038	A	*	6/1995	Zamudio-Castillo et al.	..	4/415 X
5,946,741	A	*	9/1999	Moon	4/420.1
5,983,411	A	*	11/1999	Demoret	4/353
6,003,161	A	*	12/1999	Tomaini	4/415
6,243,886	B1	*	6/2001	Kerwin	4/415
D449,525	S	*	10/2001	Sturgess	D9/432

* cited by examiner

Primary Examiner—Louis S. Zarfaz

Assistant Examiner—Robert A. Delehanty

(74) *Attorney, Agent, or Firm*—Donald R. Schoonover

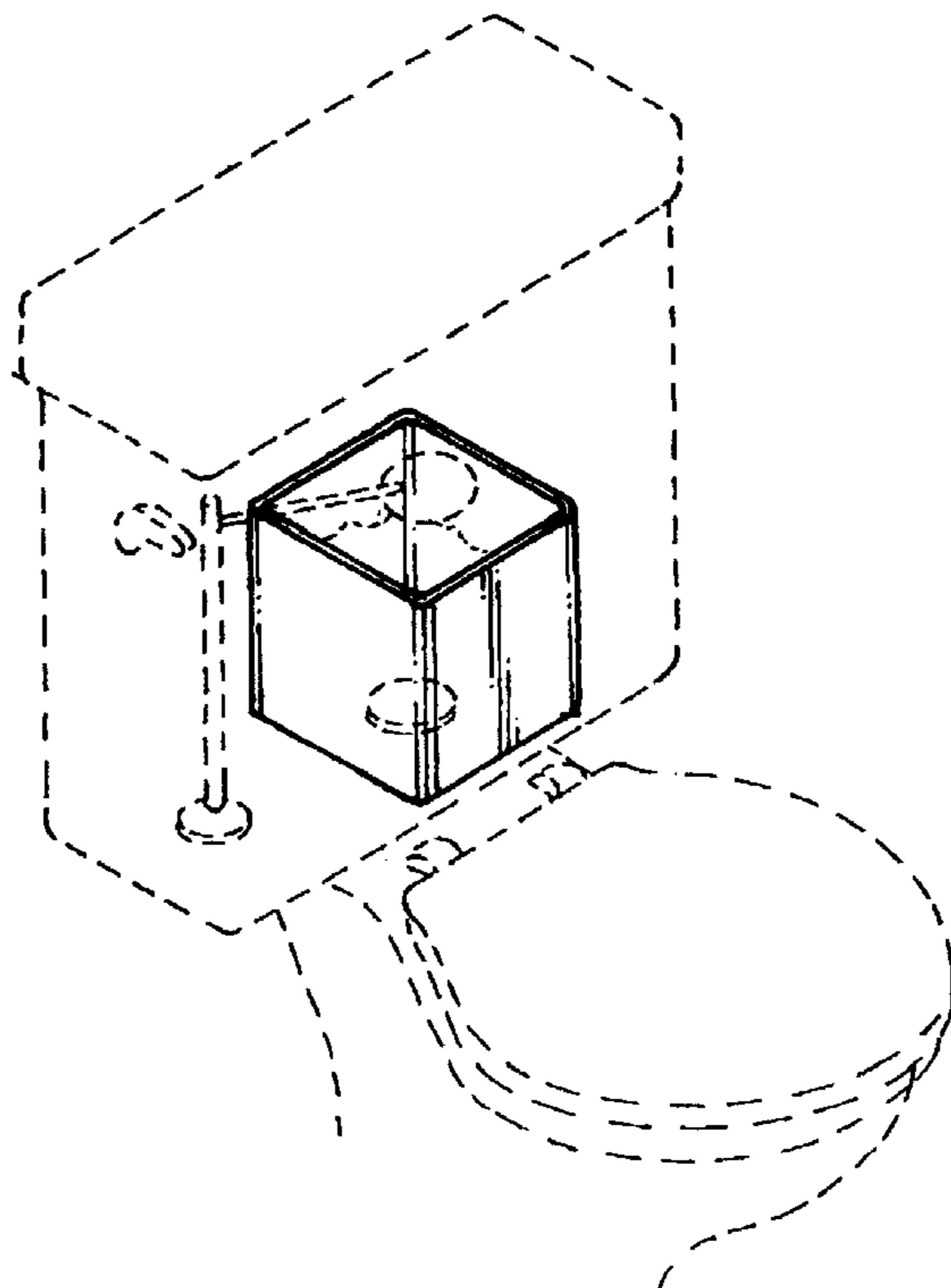
(57) **CLAIM**

The ornamental design for a water-saving device for toilet tank, as shown and described.

DESCRIPTION

FIG. 1 is a perspective view of a water-saving device for toilet tank embodying the design of the present invention; FIG. 2 is a side elevational view thereof; FIG. 3 is a top plan view thereof; FIG. 4 is a bottom plan view thereof; and, FIG. 5 is a perspective view shown on a reduced scale of the water-saving device for toilet tank in use. The broken line showing of environment is for illustrative purposes only and forms no part of the claimed design.

1 Claim, 3 Drawing Sheets



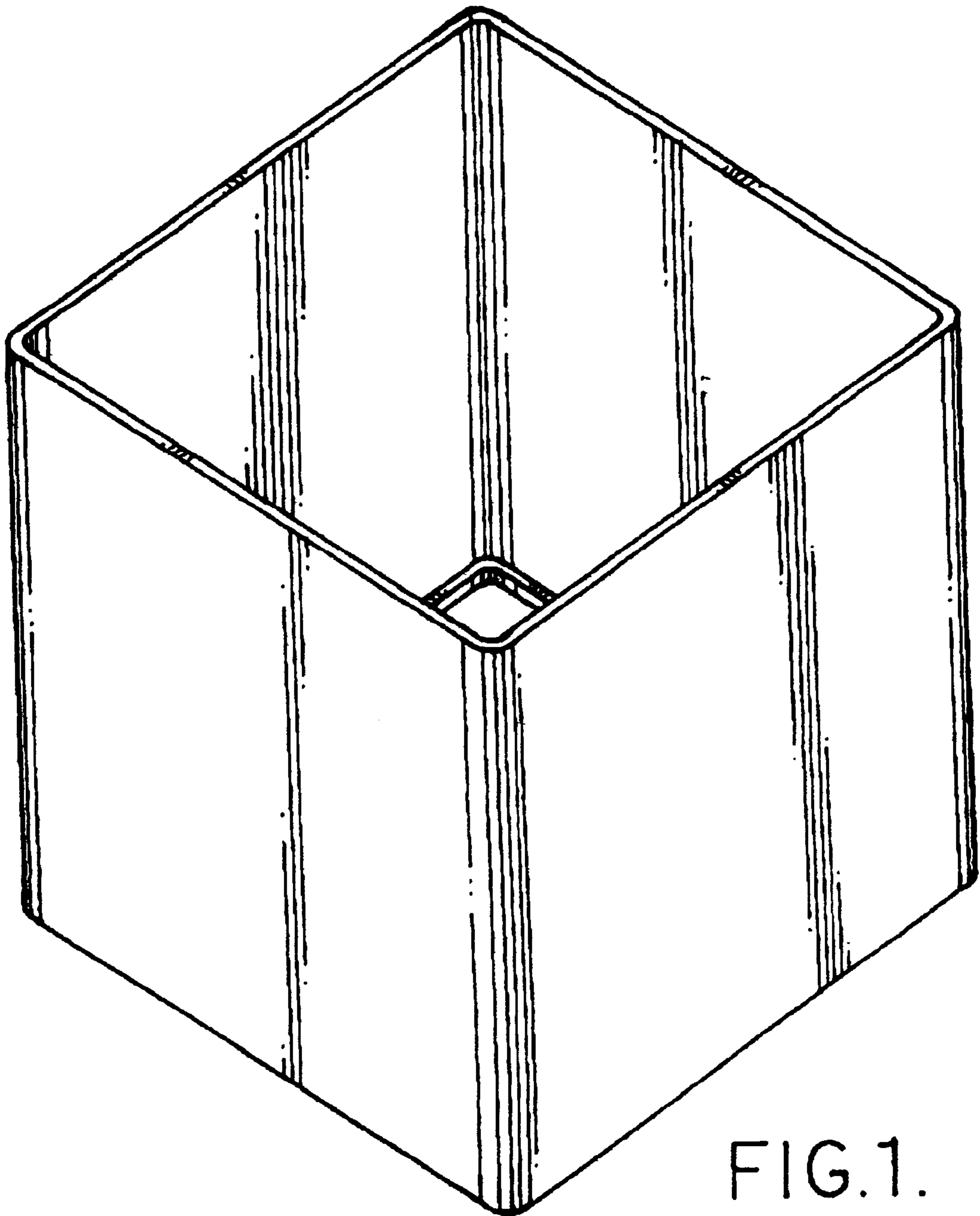


FIG.1.

FIG. 2.

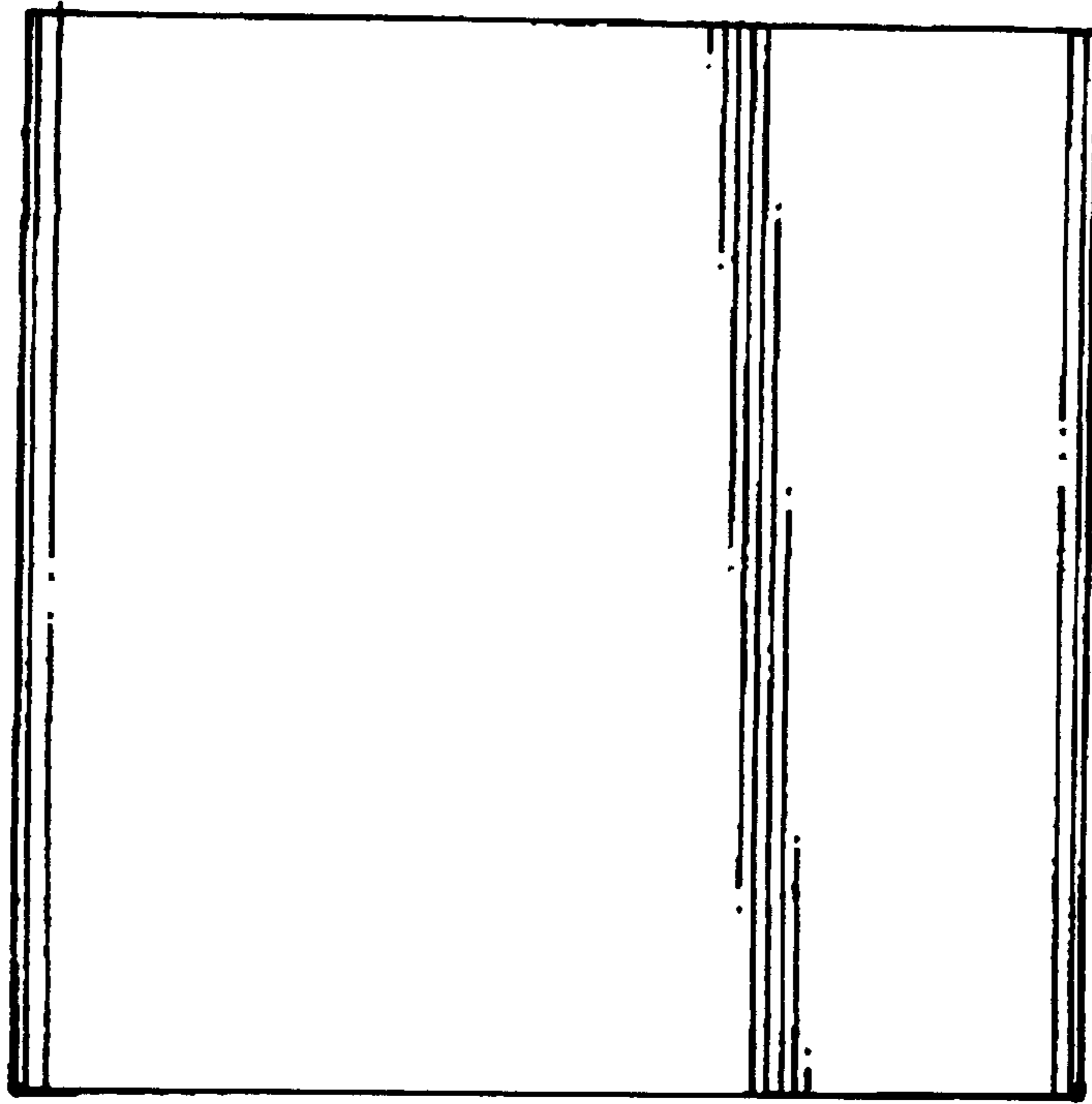
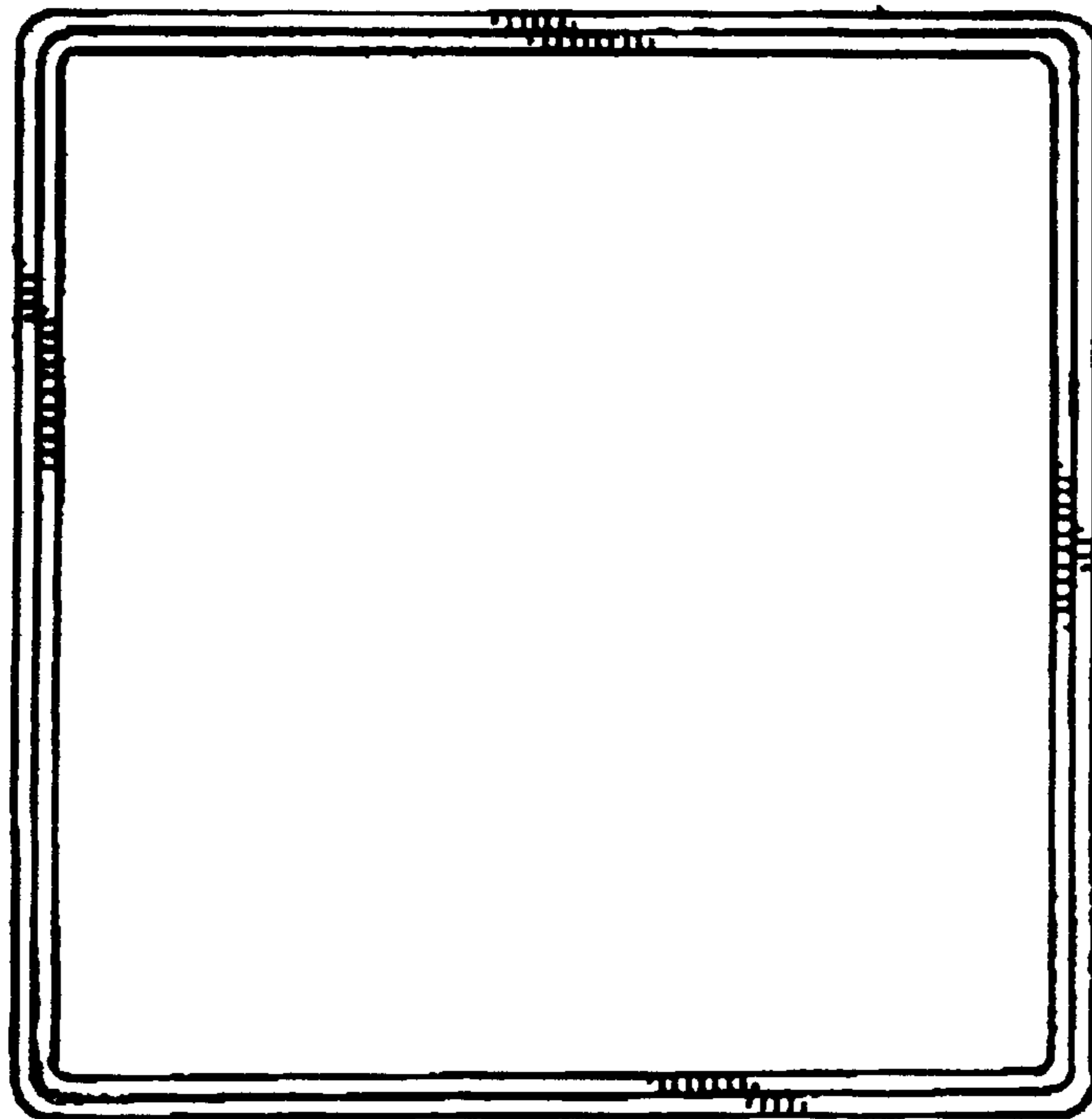


FIG. 3.



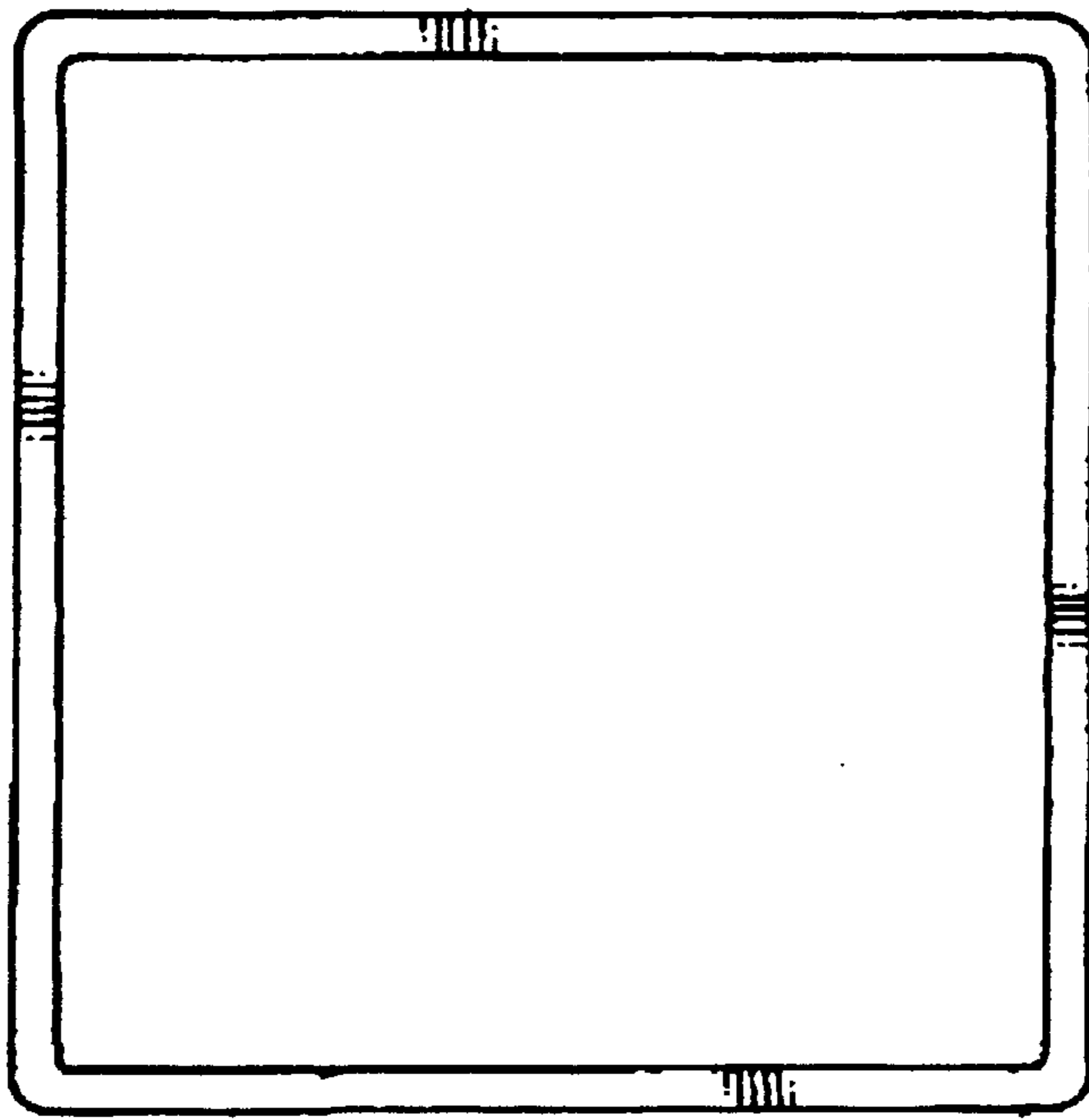


FIG. 4.

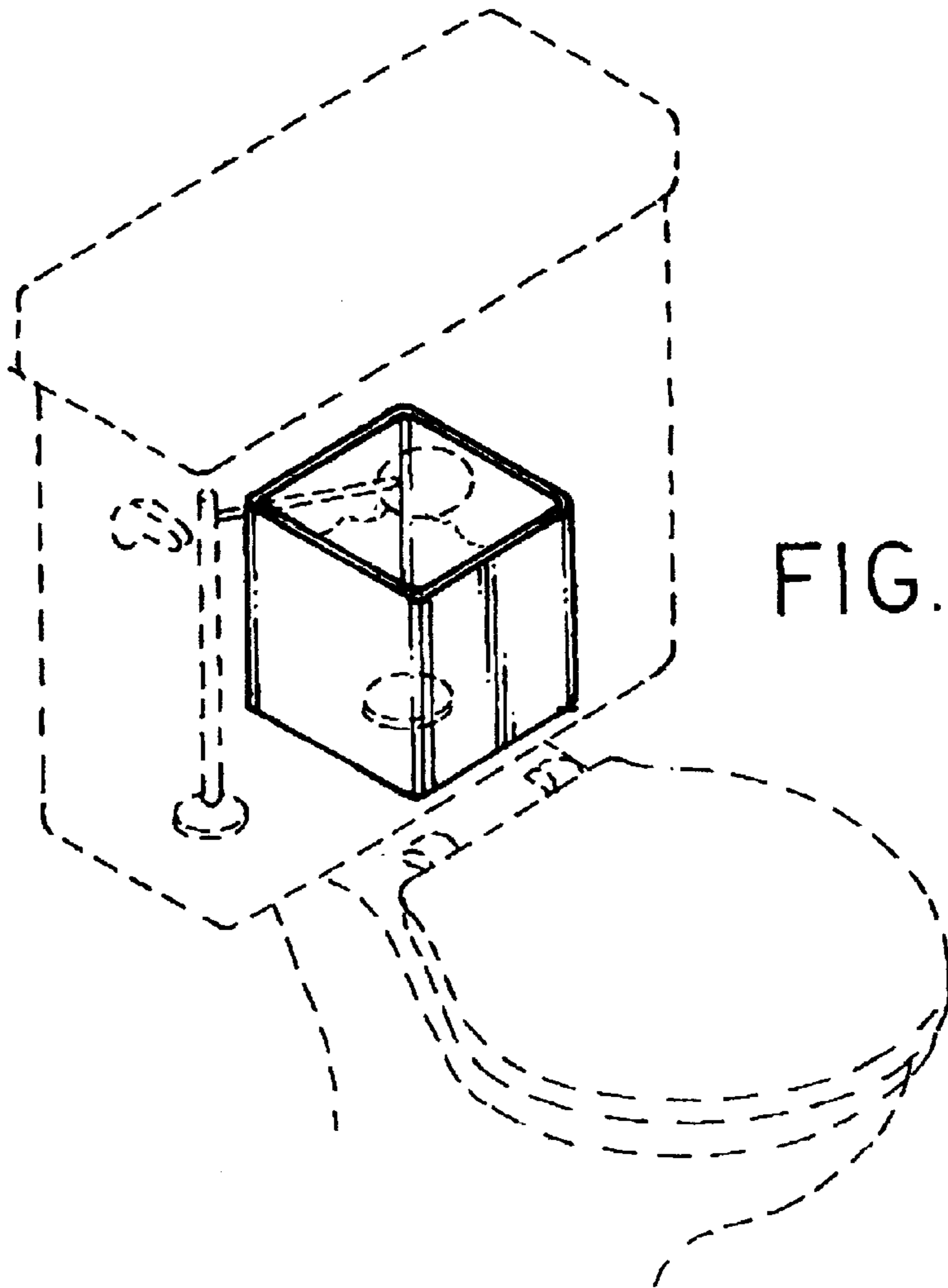


FIG. 5.