



US00D462115S

(12) **United States Design Patent**  
**Tse**

(10) **Patent No.:** **US D462,115 S**

(45) **Date of Patent:** **\*\* Aug. 27, 2002**

(54) **BRACKET FOR SHOWER HEAD**

(75) **Inventor:** **Gary Hing Fai Tse, Tai Po (HK)**

(73) **Assignee:** **Brand New Technology Ltd., Kowloon (HK)**

(\*\*) **Term:** **14 Years**

(21) **Appl. No.:** **29/129,175**

(22) **Filed:** **Sep. 11, 2000**

(51) **LOC (7) Cl.** ..... **23-02**

(52) **U.S. Cl.** ..... **D23/304**

(58) **Field of Search** ..... D23/275, 283,  
D23/304, 223, 228; 4/567, 568, 570, 596,  
597, 615

(56) **References Cited**

**U.S. PATENT DOCUMENTS**

- 2,290,410 A \* 7/1942 Dawson ..... 248/125.3
- 3,833,195 A \* 9/1974 Anton ..... 248/125.1
- 4,174,822 A \* 11/1979 Larsson ..... D23/223 X

- D265,874 S \* 8/1982 Klose ..... D23/223 X
- D306,396 S \* 3/1990 Brushaber ..... D8/355
- D426,290 S \* 6/2000 Haug et al. .... D23/304

\* cited by examiner

*Primary Examiner*—Louis S. Zarfes

*Assistant Examiner*—Robert A. Delehanty

(74) *Attorney, Agent, or Firm*—Leydig, Voit & Mayer, Ltd.

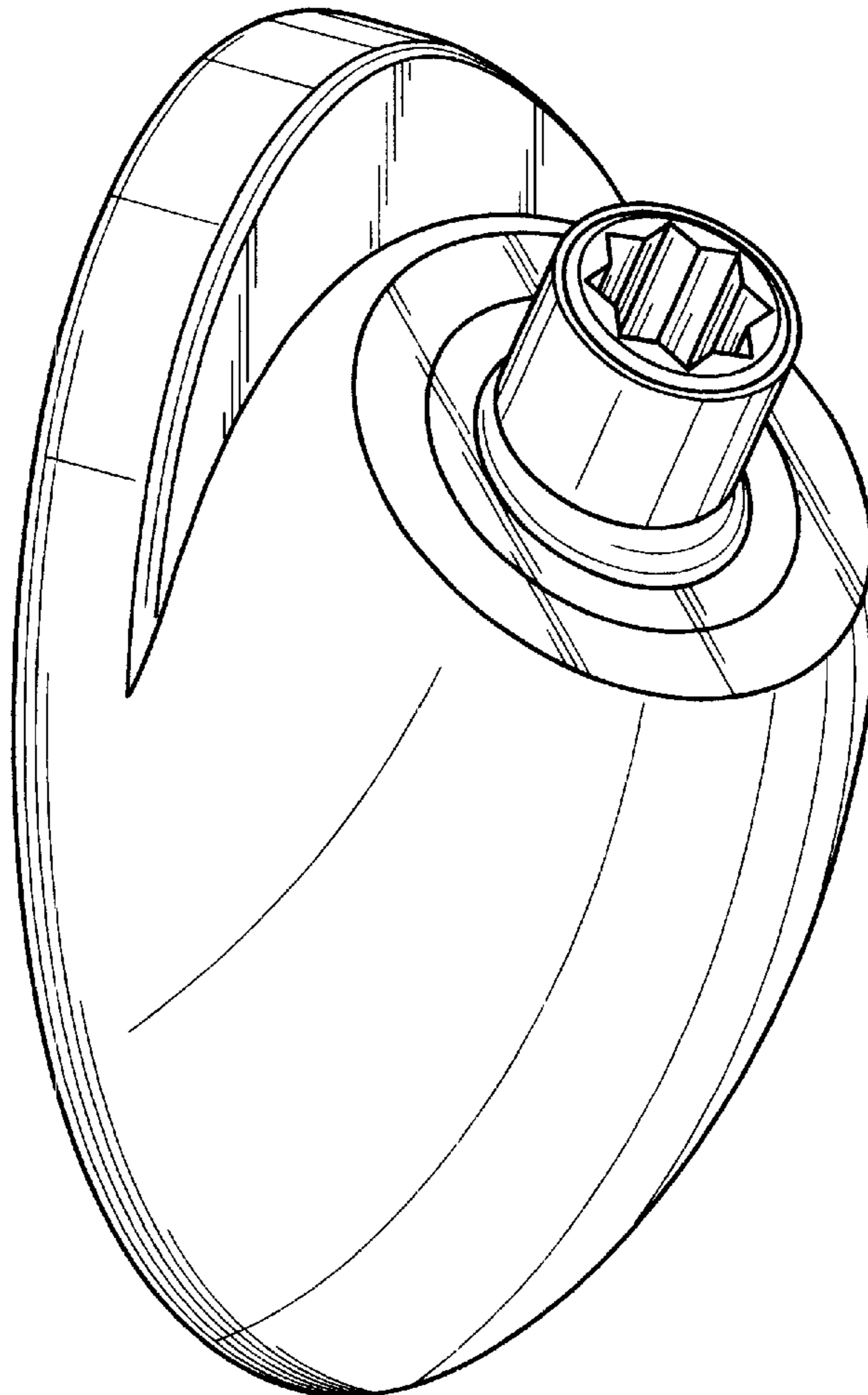
(57) **CLAIM**

The ornamental design for a bracket for shower head, as shown and described.

**DESCRIPTION**

FIG. 1 is a front and left side perspective view of a bracket for shower head showing my new design;  
FIG. 2 is a front elevational view thereof;  
FIG. 3 is a right side elevational view thereof;  
FIG. 4 is a top plan view thereof;  
FIG. 5 is a left side elevational view thereof; and,  
FIG. 6 is a bottom plan view thereof.

**1 Claim, 3 Drawing Sheets**



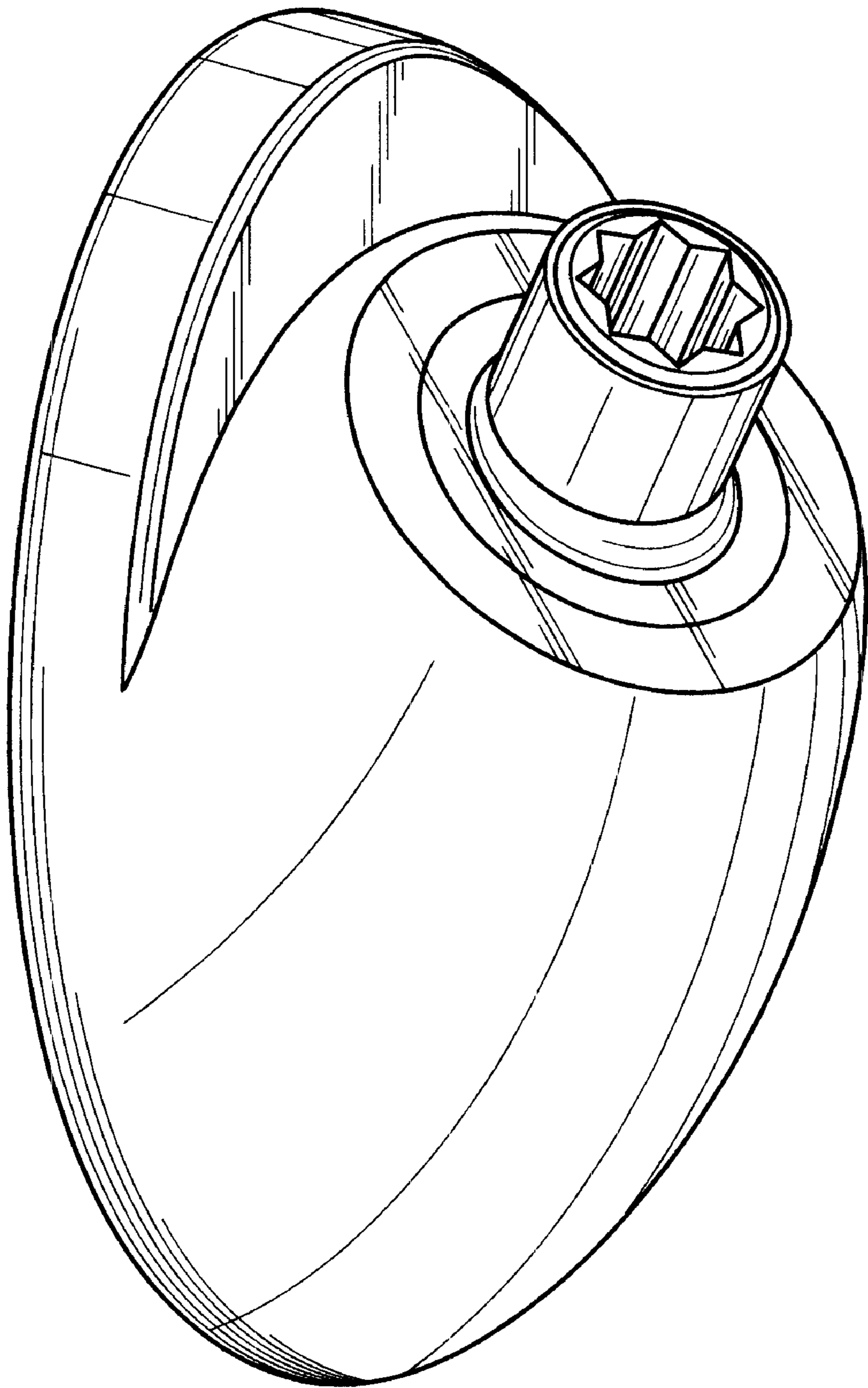


FIG. 1

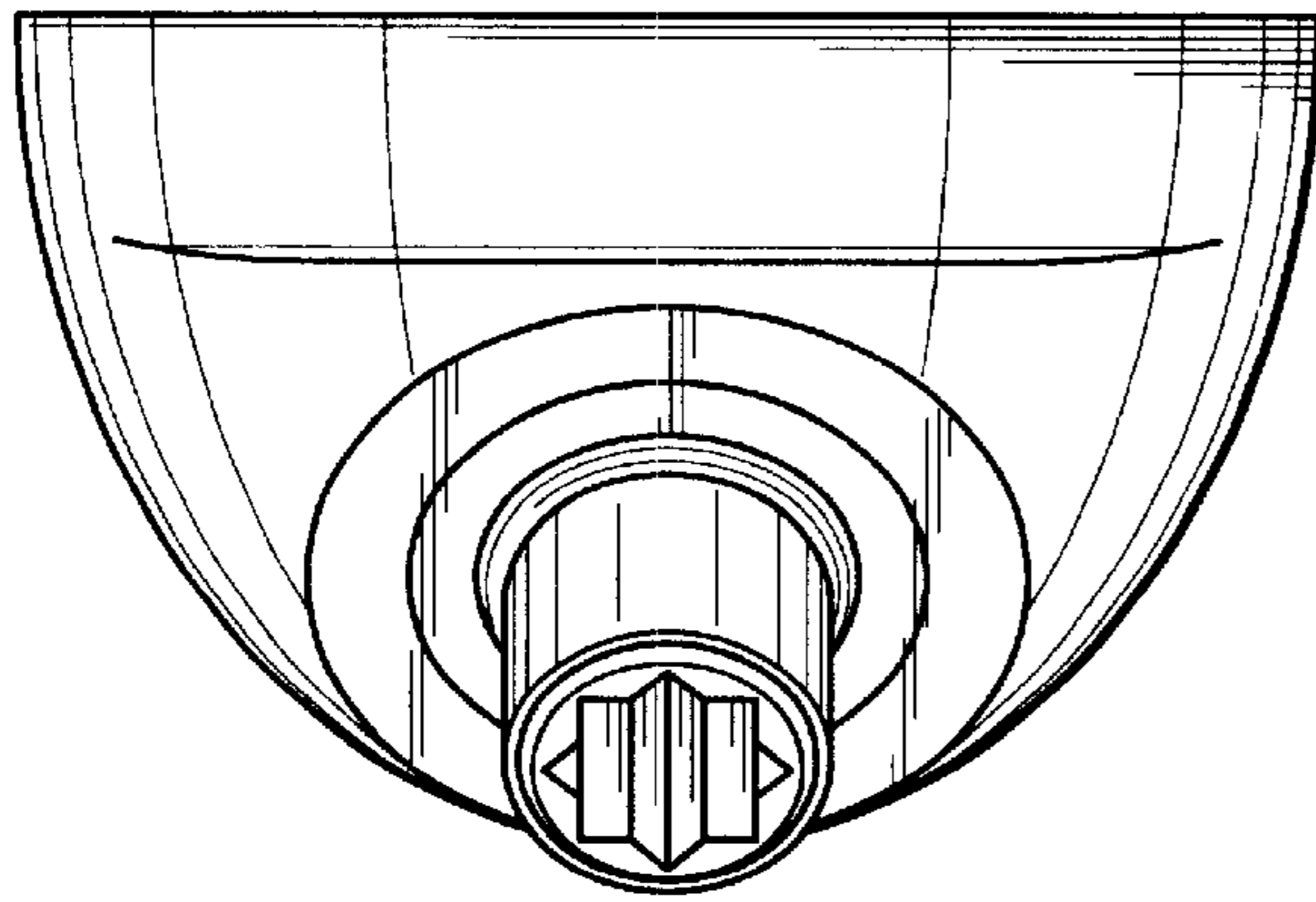


FIG. 4

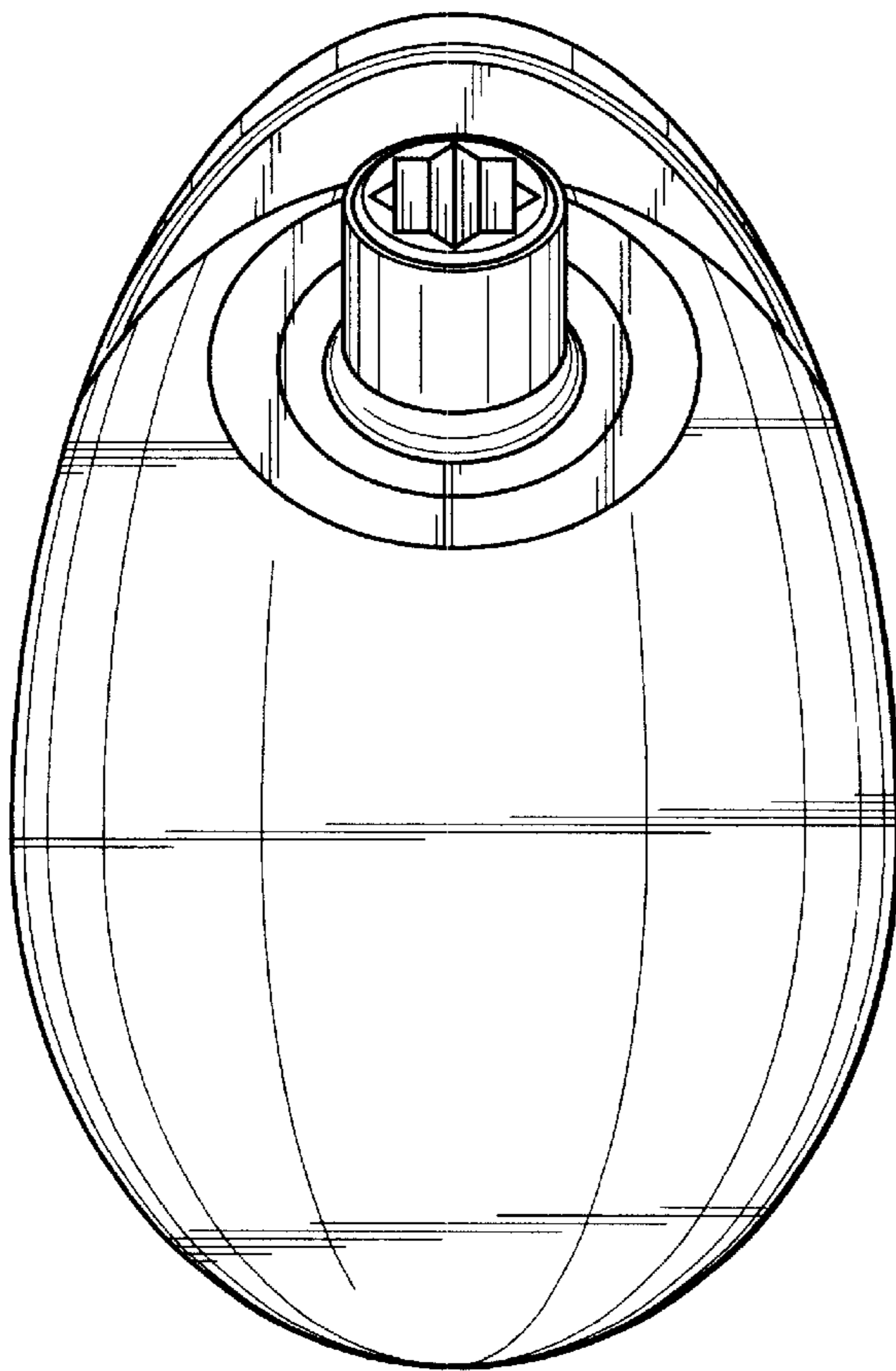


FIG. 2

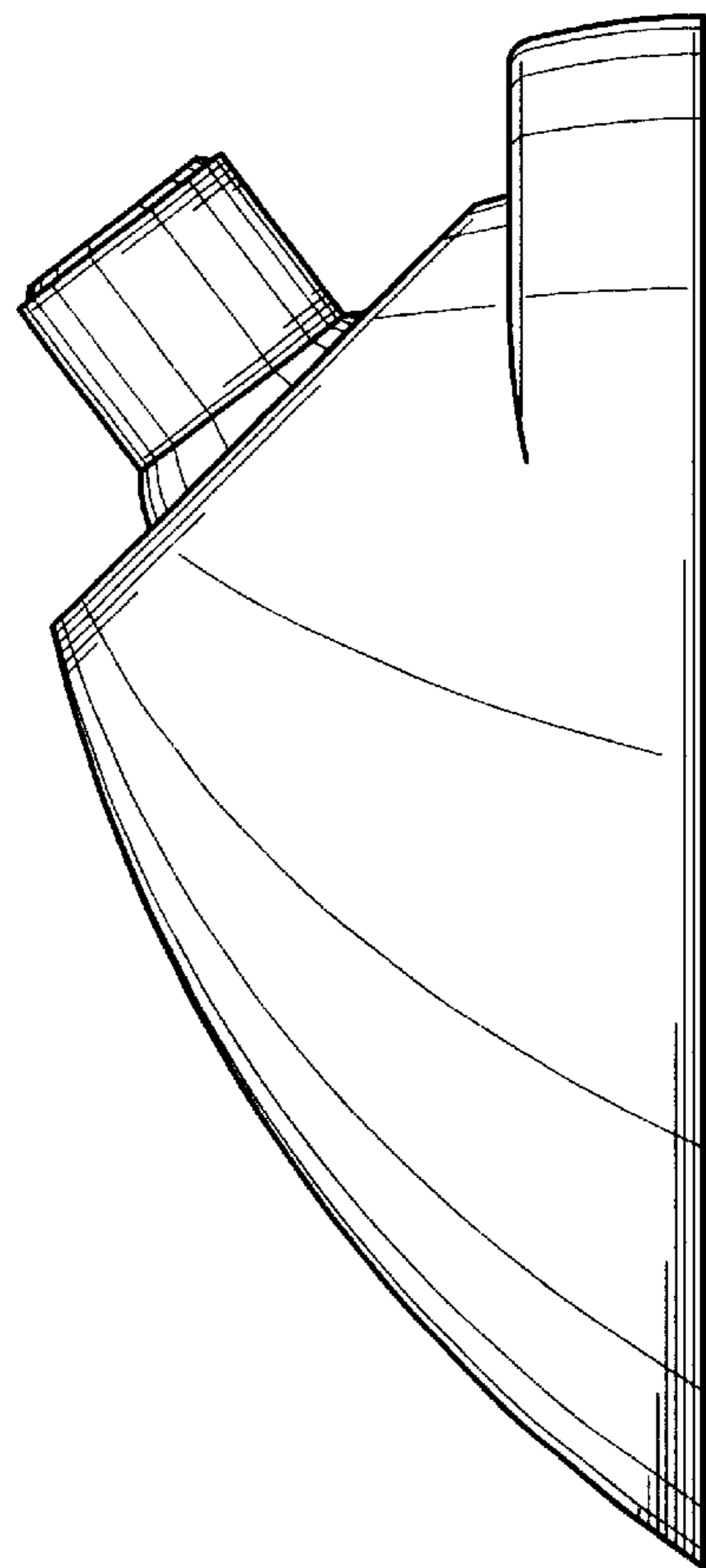


FIG. 3

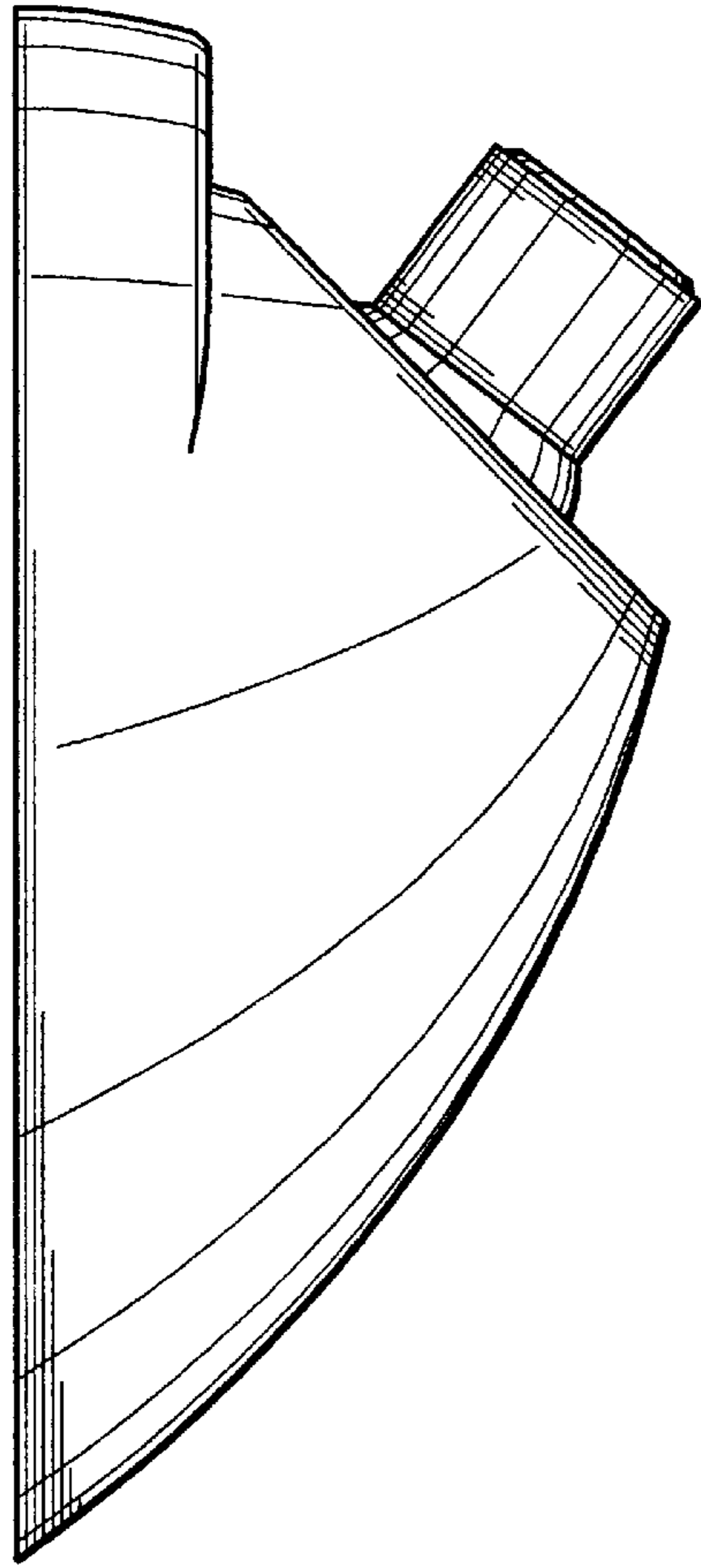


FIG. 5

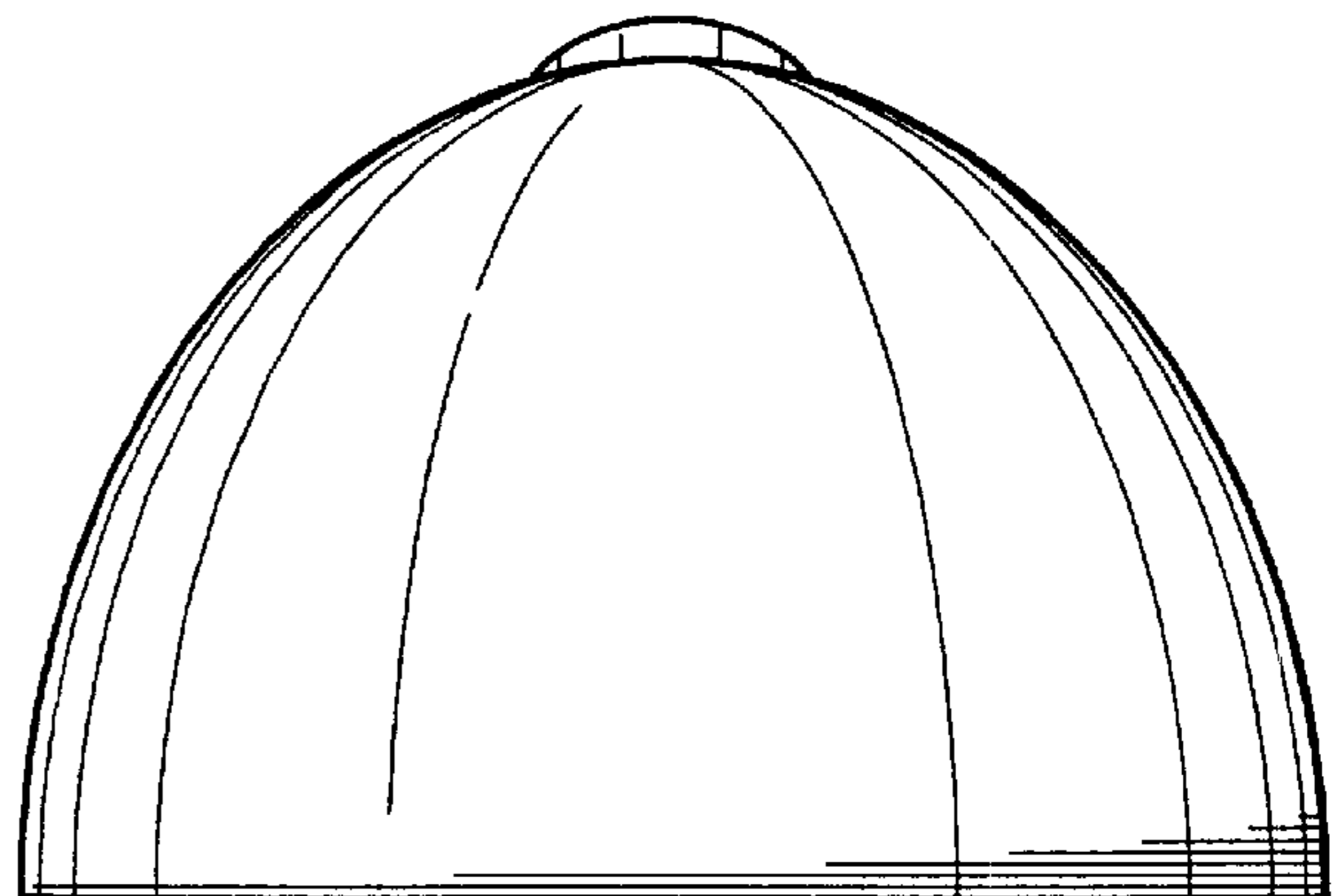


FIG. 6