



US00D462114S

(12) **United States Design Patent**
Soulier

(10) **Patent No.:** **US D462,114 S**

(45) **Date of Patent:** **** Aug. 27, 2002**

(54) **LAVATORY**

(75) Inventor: **Jean-Hugues Soulier**, Garches (FR)

(73) Assignee: **Jacob Delafon**, Paris (FR)

(**) Term: **14 Years**

(21) Appl. No.: **29/142,724**

(22) Filed: **May 31, 2001**

(30) **Foreign Application Priority Data**

Dec. 5, 2000 (GB) 2097928

(51) **LOC (7) Cl.** **23-02**

(52) **U.S. Cl.** **D23/293.1**

(58) **Field of Search** D23/270-271,
D23/273, 284-292, 293.1, 303, 308; 4/619,
621, 630-639, 643, 654, 656, 658-661

(56) **References Cited**

U.S. PATENT DOCUMENTS

- D24,851 S * 11/1895 Torrance D23/293.1
- 918,124 A * 4/1909 Caldwell 4/637
- D251,795 S * 5/1979 McCann D23/291
- D355,949 S * 2/1995 Laughton D23/284
- 5,819,335 A * 10/1998 Hennessy 4/619
- D401,677 S * 11/1998 Garza D23/284

OTHER PUBLICATIONS

- Undated Alape catalog ad showing a lavatory.
- Undated Villeroy catalog ad showing a "Grangracia" lavatory.
- 1993 Kohler catalog ad, p. 13-3, showing a "Figuranté" lavatory.

Undated Kohler catalog ad, p. 54, showing a "Ledgend" lavatory.

Undated catalog ad, supplier unknown, showing "Priam" lavatories.

Undated catalog ad, supplier unknown, showing a lavatory.

* cited by examiner

Primary Examiner—Louis S. Zarfes

Assistant Examiner—Robert A. Delehanty

(74) *Attorney, Agent, or Firm*—Quarles & Brady LLP

(57) **CLAIM**

The ornamental design for a lavatory, as shown and described.

DESCRIPTION

In a preferred embodiment, the nature of this product is as a plumbing fixture primarily useful for washing the face and hands of humans.

FIG. 1 is a left, top, front perspective view of a lavatory embodying my new design;

FIG. 2 is a top plan view thereof;

FIG. 3 is a front elevational view thereof;

FIG. 4 is a left side elevational view thereof, the right side elevational view being a mirror image of the left side shown;

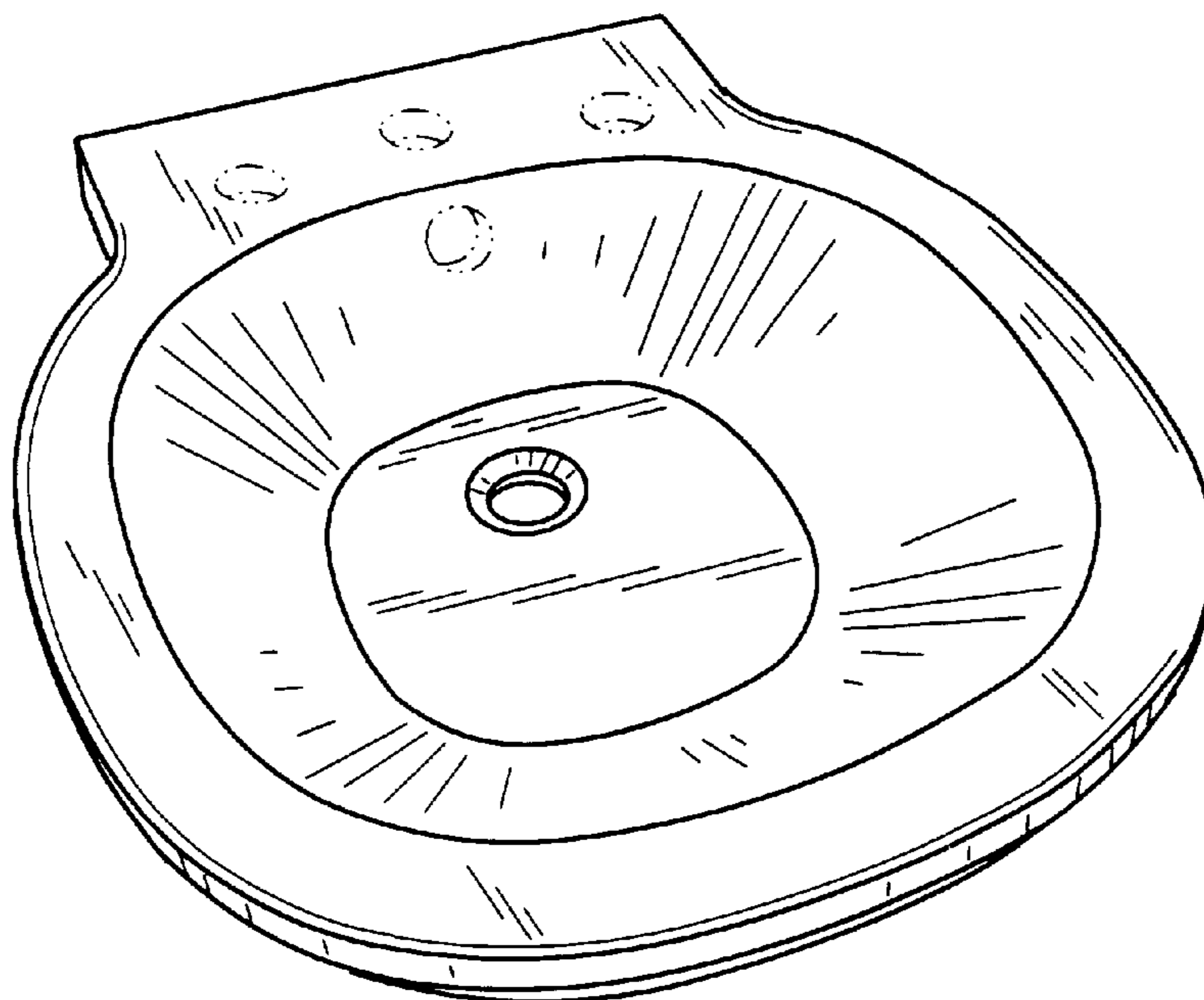
FIG. 5 is a rear elevational view thereof;

FIG. 6 is a cross-sectional view thereof taken along line 6-6 of FIG. 2; and,

FIG. 7 is a bottom plan view thereof.

The broken line representations of holes in FIGS. 1-2 and 5-7 are for the purpose of illustration only, and form no part of the claimed design.

1 Claim, 2 Drawing Sheets



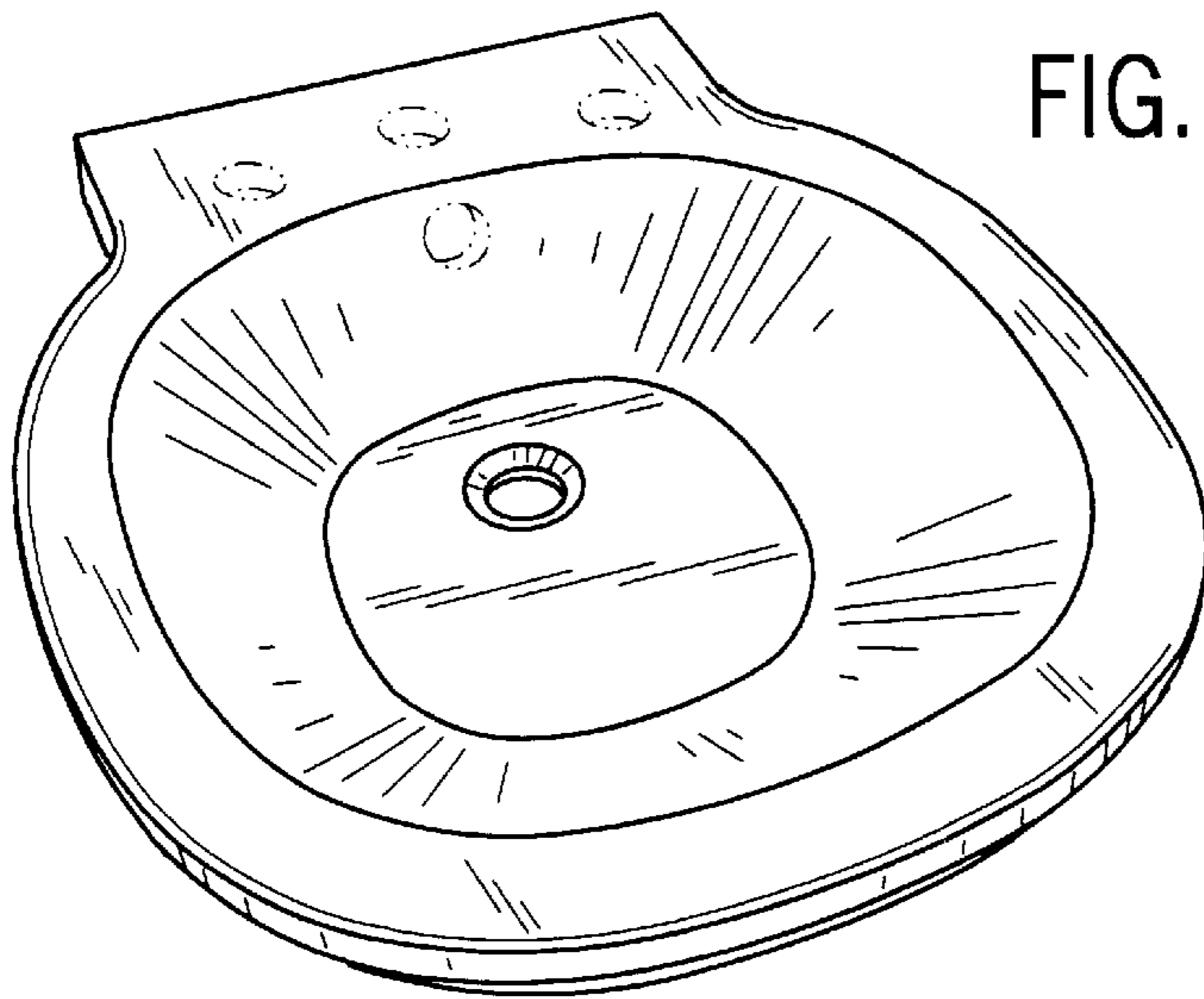


FIG. 1

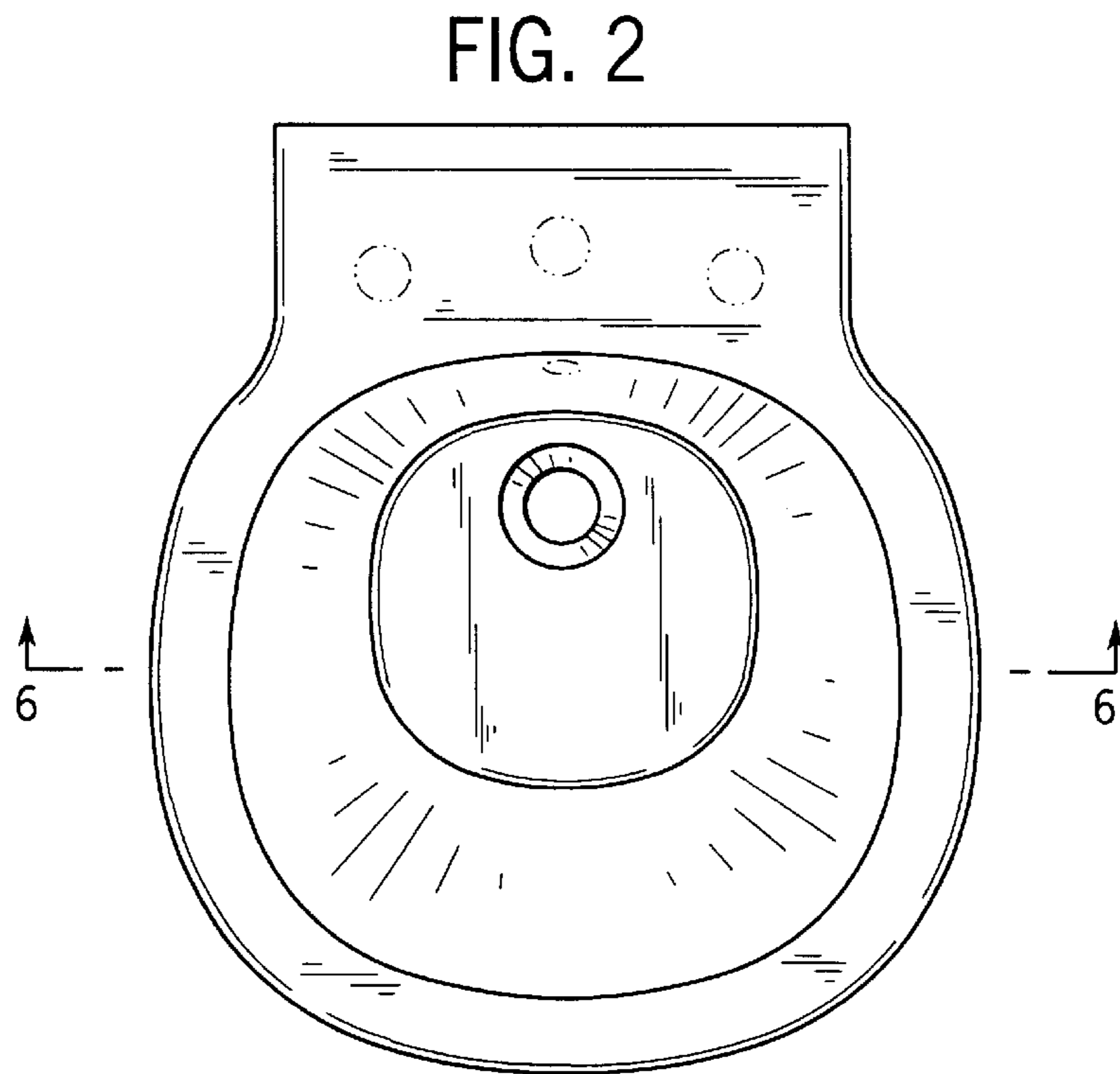


FIG. 2

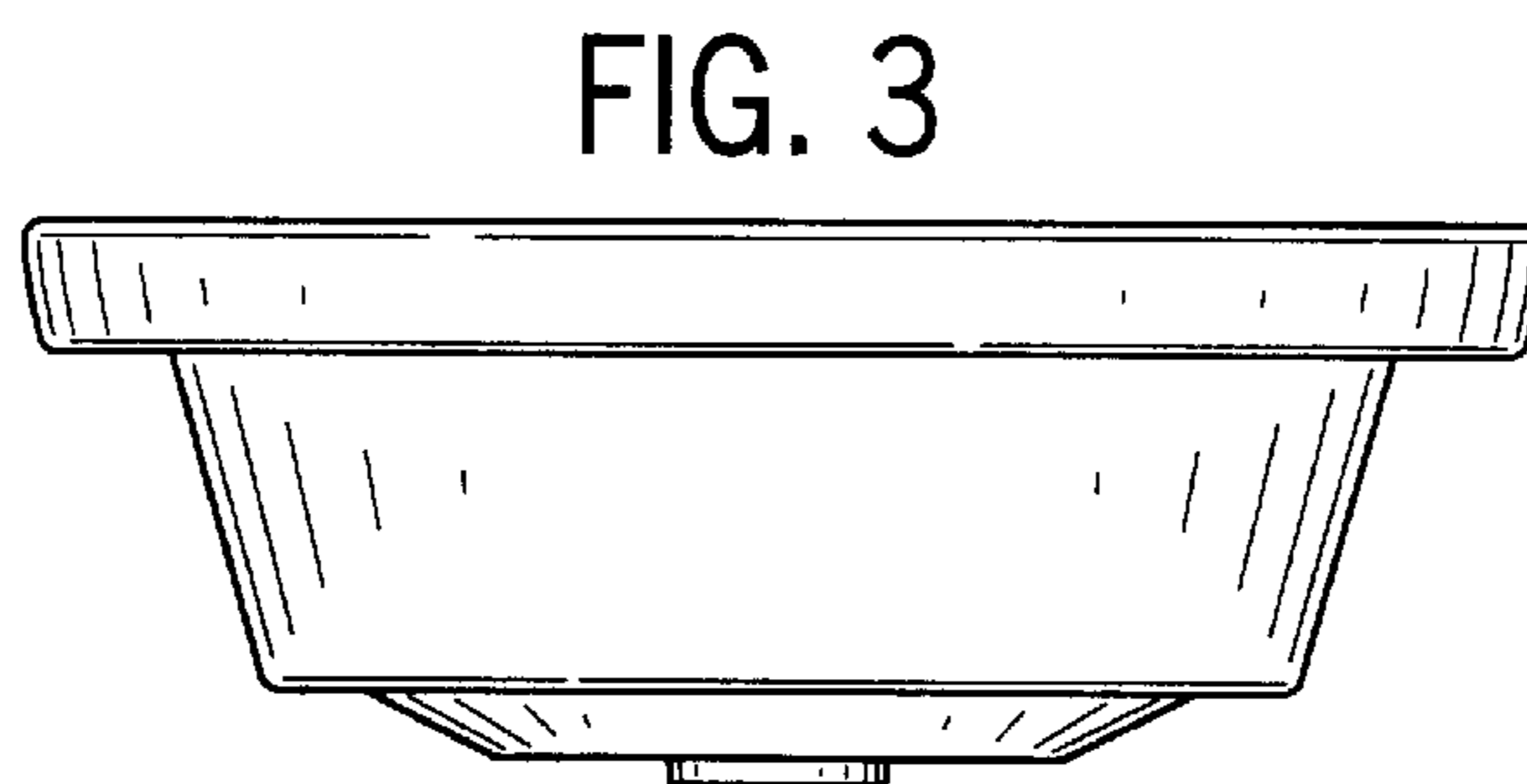


FIG. 3

FIG. 4

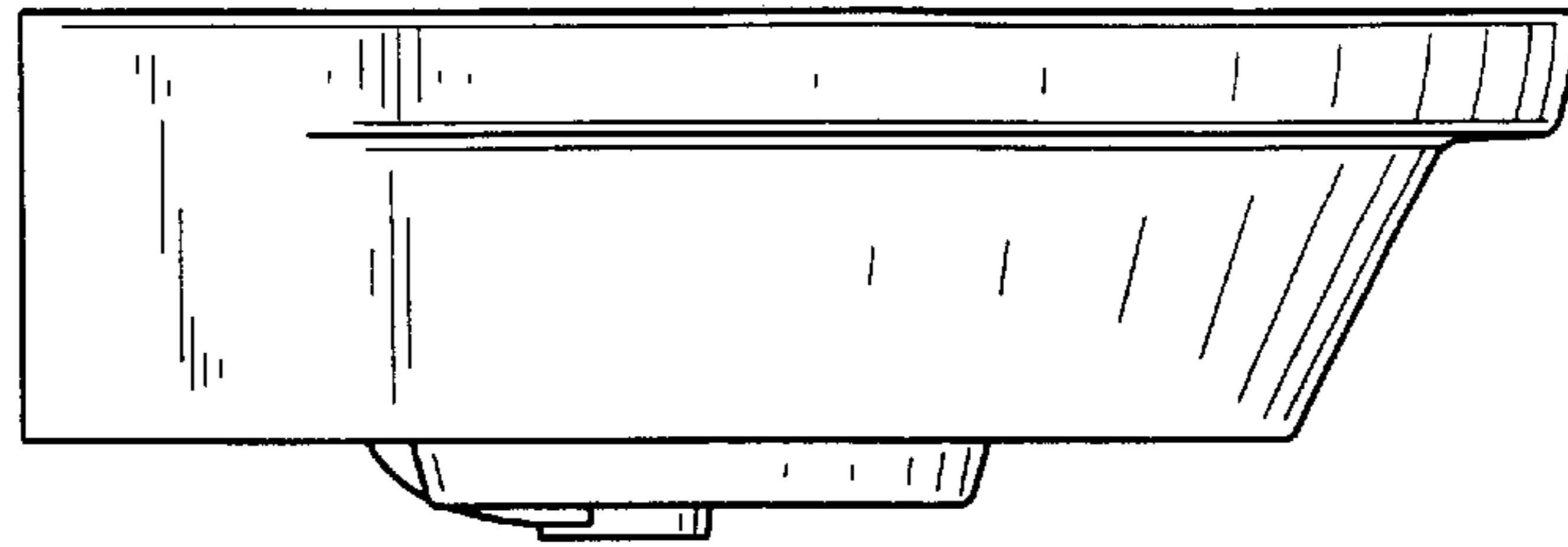


FIG. 5

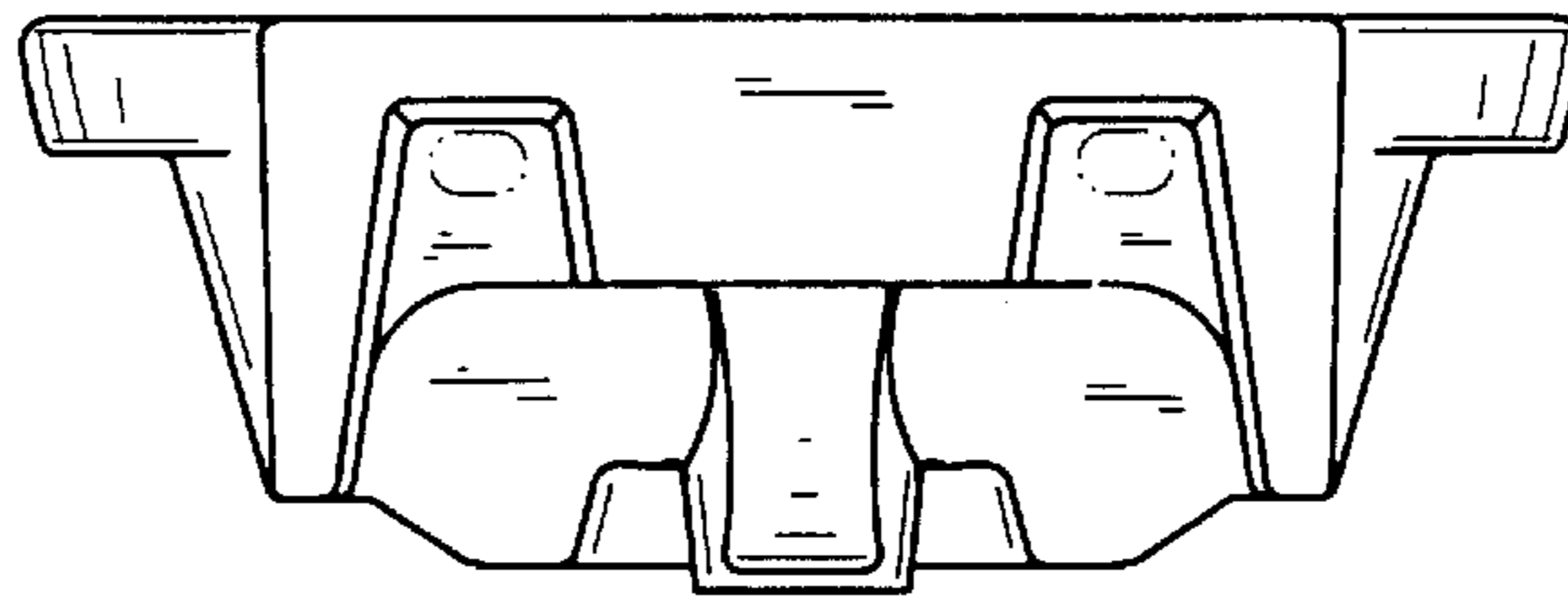


FIG. 6

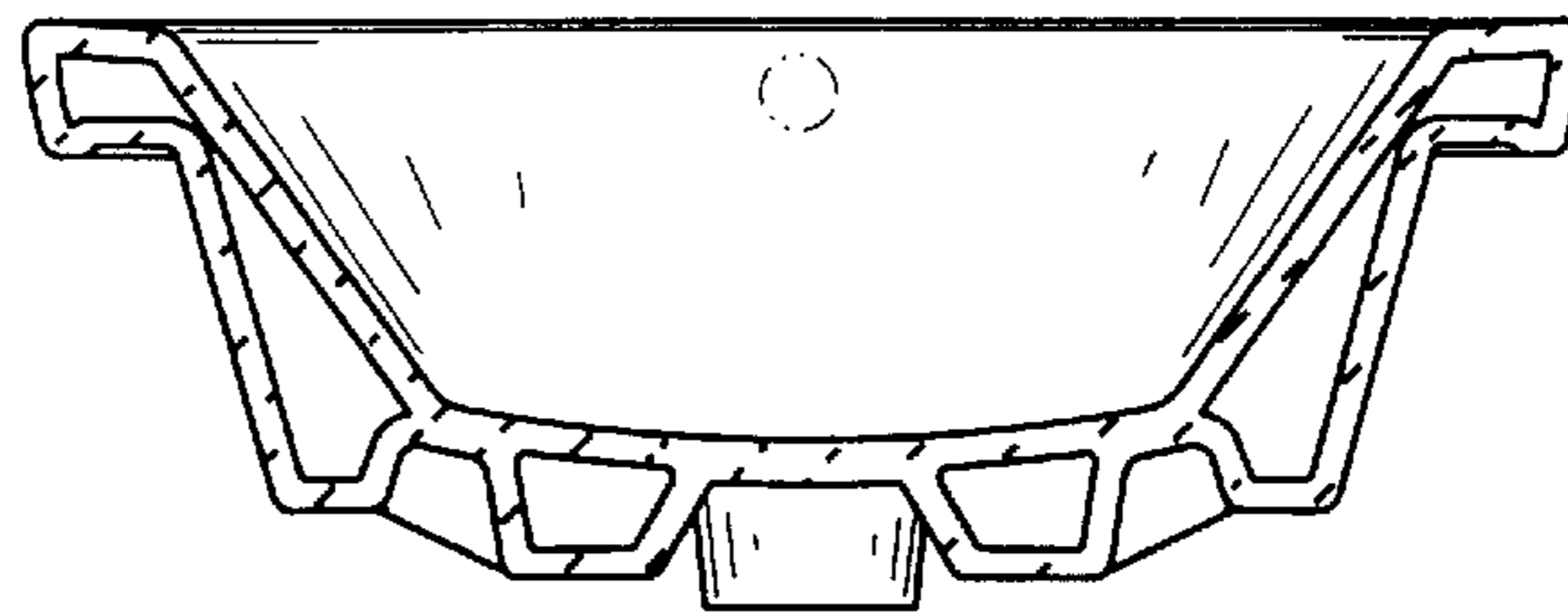


FIG. 7

