



US00D462113S

(12) **United States Design Patent**
Marshall et al.

(10) **Patent No.:** **US D462,113 S**

(45) **Date of Patent:** **** Aug. 27, 2002**

(54) **SOAKING TUB**

(75) Inventors: **Keith Marshall**, Claremont; **David P. Molinaro**, Diamond, both of CA (US)

(73) Assignee: **Acorn Engineering Company**, City of Industry, CA (US)

(**) Term: **14 Years**

(21) Appl. No.: **29/151,747**

(22) Filed: **Oct. 29, 2001**

Related U.S. Application Data

(63) Continuation-in-part of application No. 29/139,733, filed on Apr. 5, 2001, now abandoned.

(51) **LOC (7) Cl.** **23-02**

(52) **U.S. Cl.** **D23/280.1; D23/280.2**

(58) **Field of Search** D23/270, 273, D23/275-278, 280.1, 280.2, 303-304, 306; 4/538, 541.1-541.5, 546, 547, 559, 571.1-573.1, 578.1, 589-590, 611-612, 663, 587; D24/201, 204-205

(56) **References Cited**

U.S. PATENT DOCUMENTS

- 92,364 A * 7/1869 Rider 4/587
- 3,132,349 A * 5/1964 Strouse 4/590 X
- 4,119,686 A * 10/1978 Conger, IV 4/559 X
- D258,610 S * 3/1981 Tulipani D23/280.1 X
- D265,923 S * 8/1982 Cuttriss D23/280.1
- D282,498 S * 2/1986 Hasse D23/277 X

- 5,408,707 A * 4/1995 Wilson 4/541.1
- 5,444,879 A * 8/1995 Holtsnider 4/541.1
- D368,530 S * 4/1996 Lawing et al. D24/204
- D382,945 S * 8/1997 Hansen et al. D23/277
- 5,898,957 A * 5/1999 Hansen et al. 4/541.1

* cited by examiner

Primary Examiner—Louis S. Zarfes

Assistant Examiner—Robert A. Delehanty

(74) *Attorney, Agent, or Firm*—Michael Best & Friedrich LLP

(57) **CLAIM**

We claim the ornamental design for a soaking tub, as shown and described.

DESCRIPTION

FIG. 1 is a perspective view of a soaking tub embodying the present invention.

FIG. 2 is a top view of the design shown in FIG. 1.

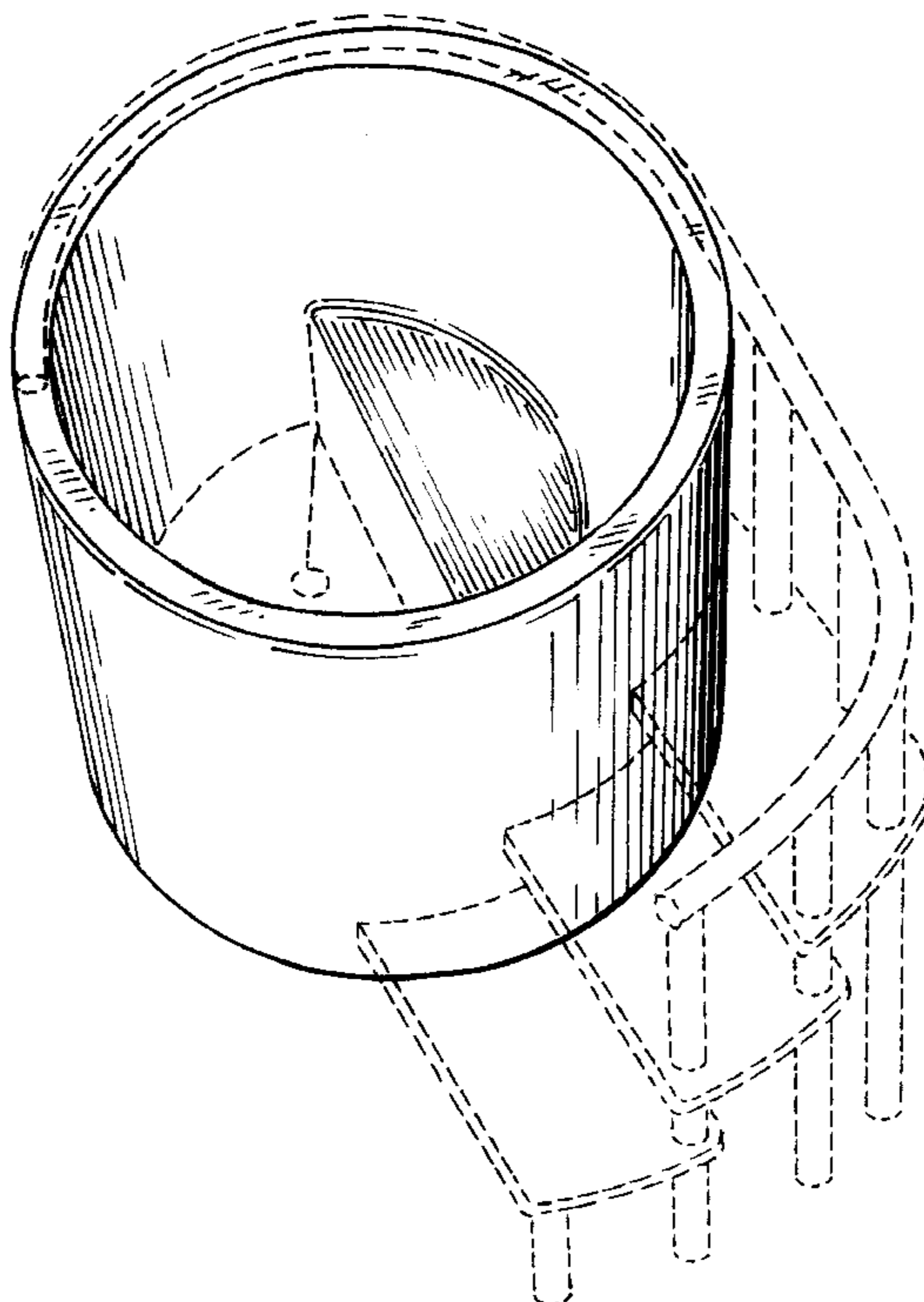
FIG. 3 is the same perspective view as FIG. 1, with the broken line showing of the environment removed.

FIG. 4 is the same top view as FIG. 2, with the broken line showing of the environment removed; and,

FIG. 5 is a cross-section view taken along line 5—5 in FIG. 4.

The broken line showing of the environment is for illustrative purposes only and forms no part of the claimed design. The broken lines which define the boundaries of the claimed design form no part thereof. The appearance of the floor of the tub and the front of the seat is not part of the claimed design.

1 Claim, 3 Drawing Sheets



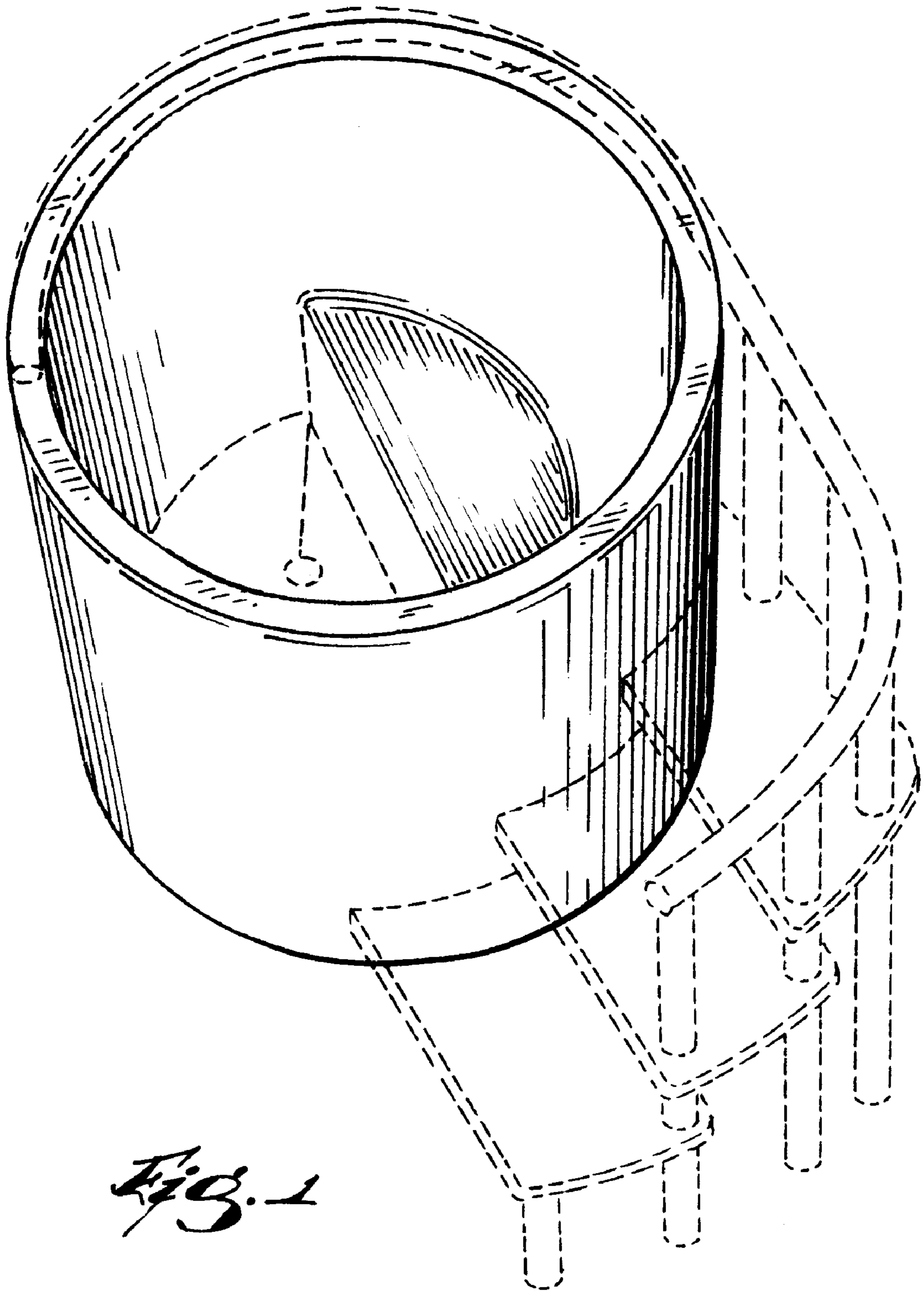


Fig. 1

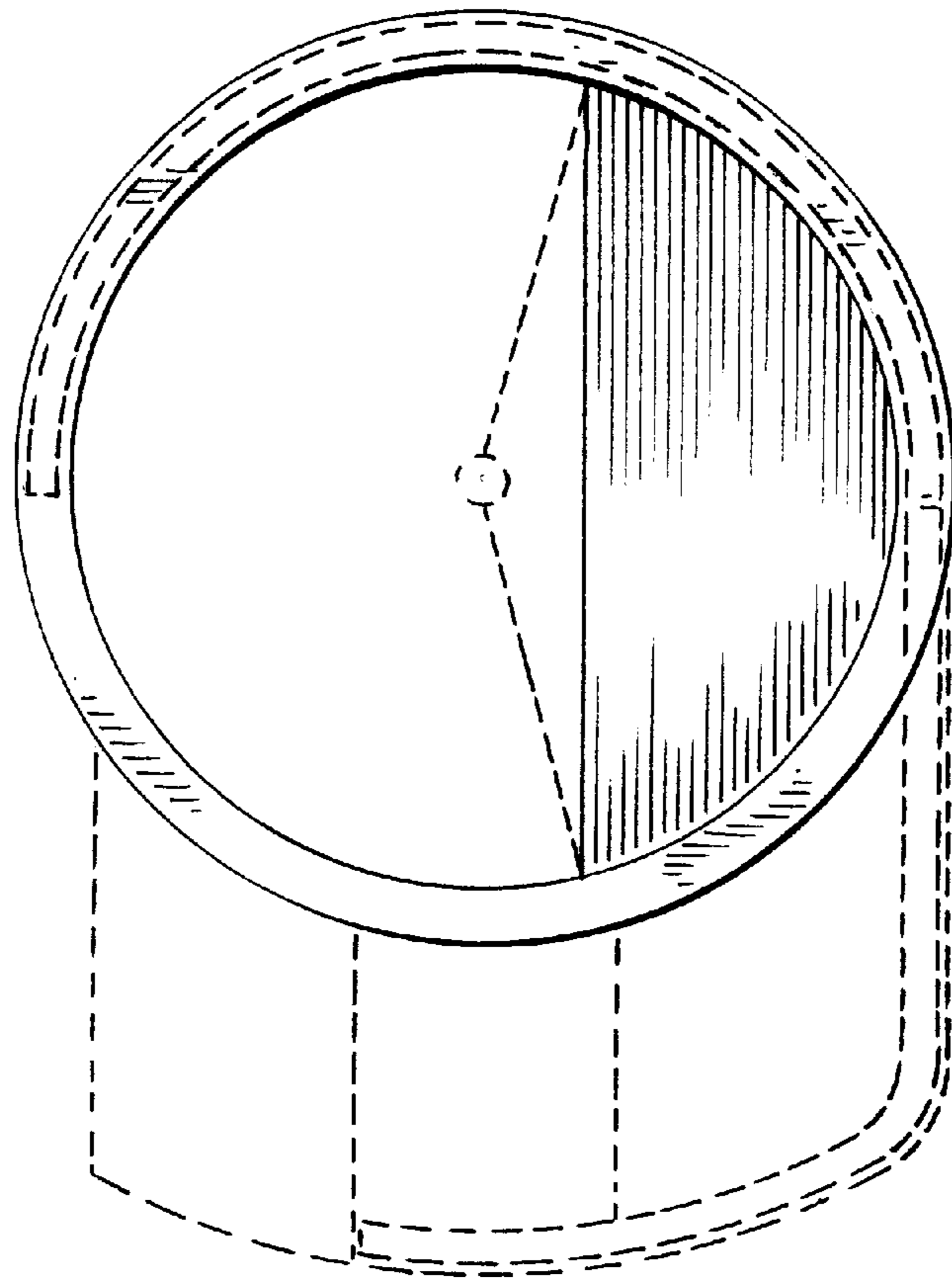
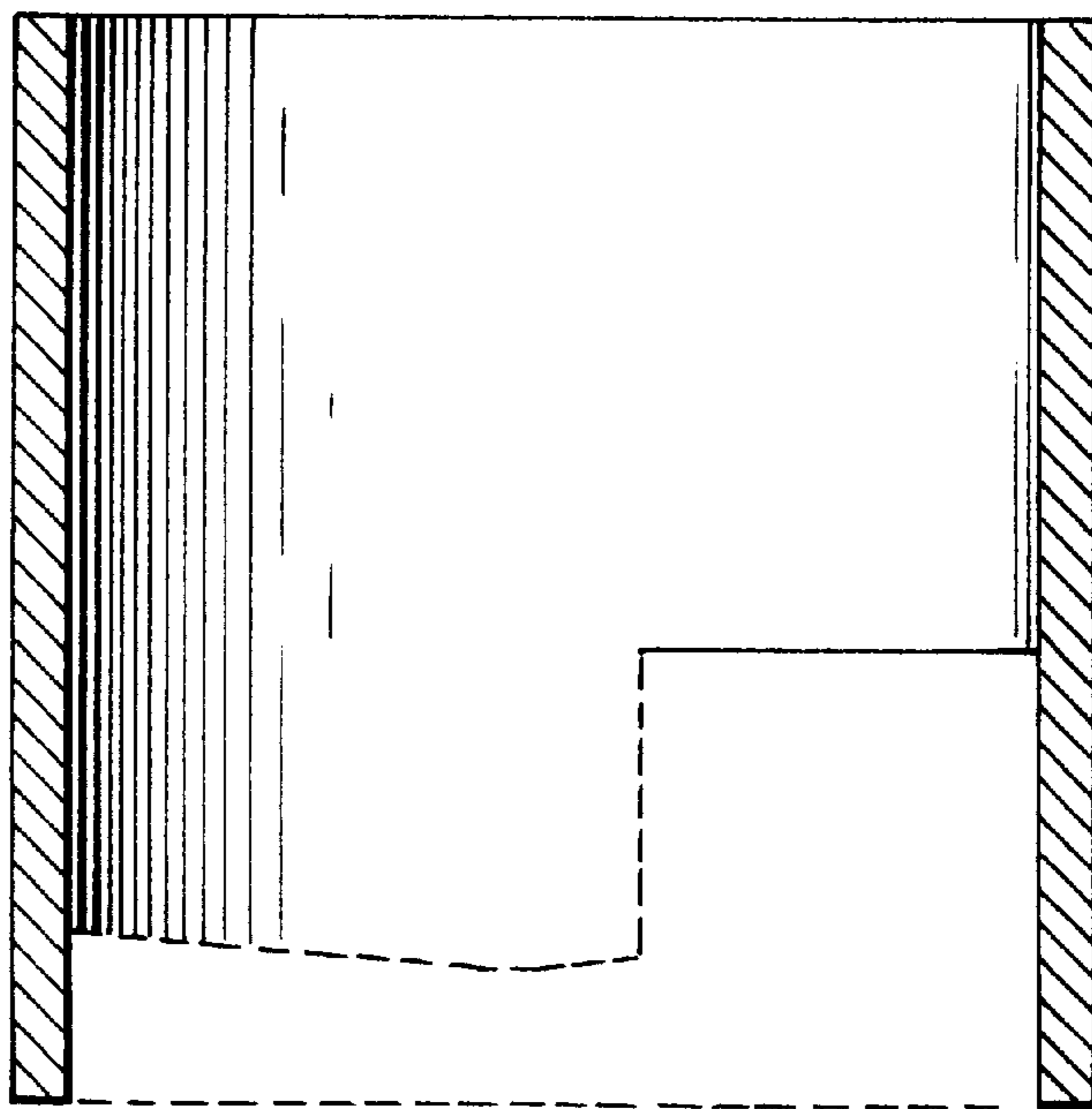


Fig. 2.

Fig. 5



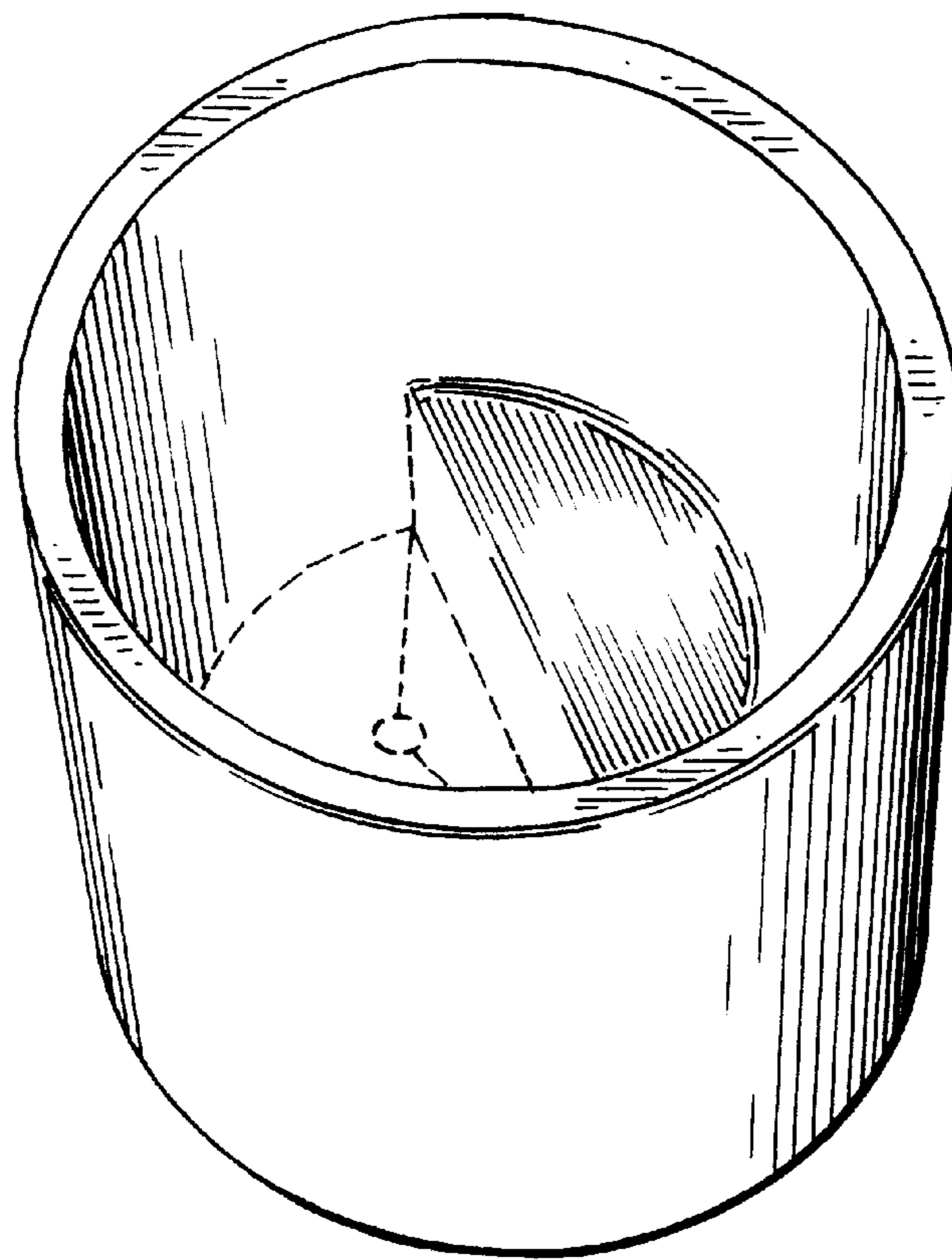


Fig. 3

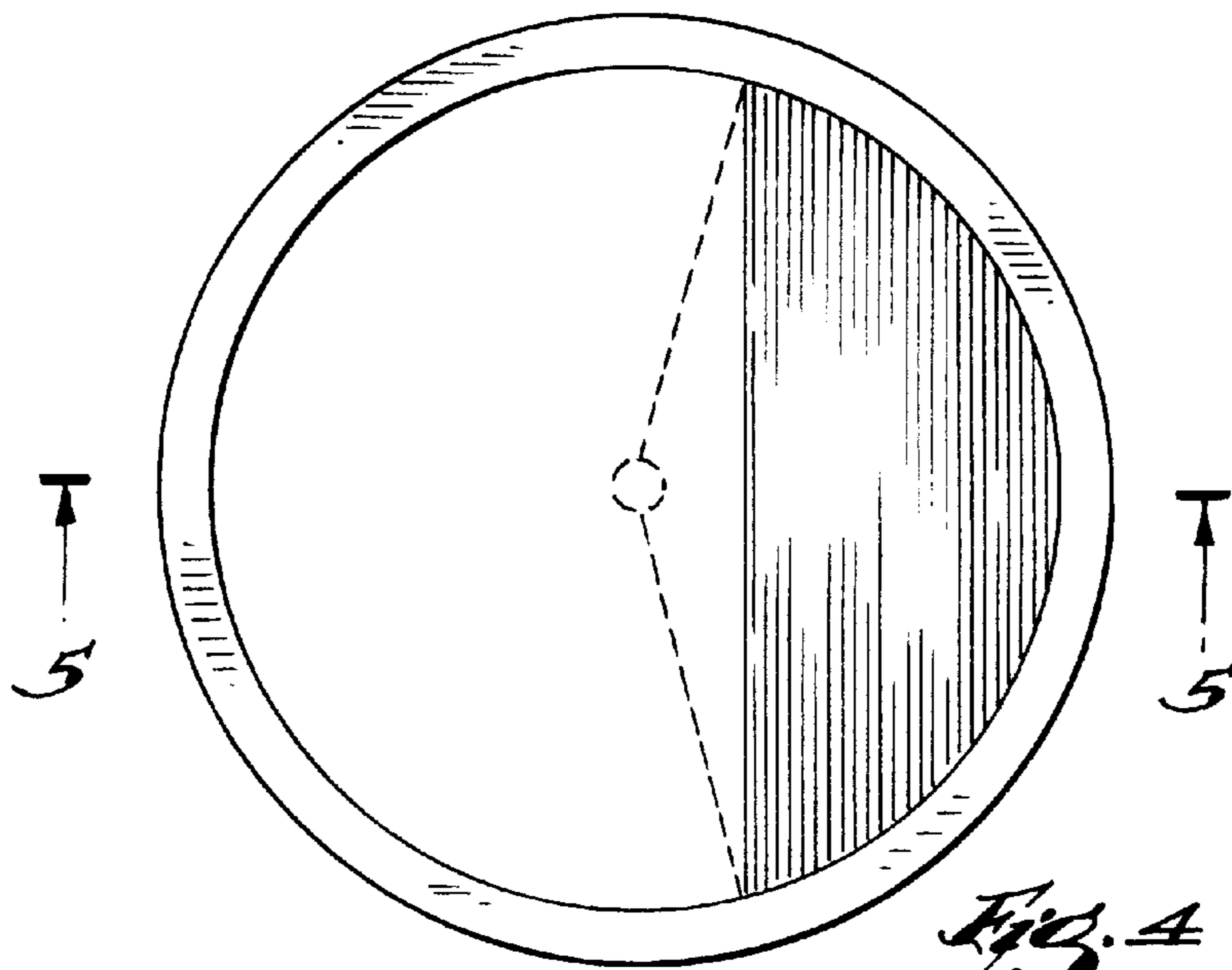


Fig. 4