



US00D462112S

(12) **United States Design Patent**  
**Kozu et al.**

(10) **Patent No.:** **US D462,112 S**

(45) **Date of Patent:** **\*\* Aug. 27, 2002**

(54) **SOCKET OF PIPE COUPLING**

D441,436 S \* 5/2001 Chao ..... D23/262

(75) Inventors: **Izumi Kozu; Tomoko Someya**, both of  
Tokyo (JP)

\* cited by examiner

(73) Assignee: **Nitto Kohki Co., Ltd.**, Tokyo (JP)

*Primary Examiner*—Robin V. Taylor

(\*\*) Term: **14 Years**

(74) *Attorney, Agent, or Firm*—Wenderoth, Lind & Ponack,  
L.L.P.

(21) Appl. No.: **29/150,787**

(57) **CLAIM**

(22) Filed: **Nov. 30, 2001**

The ornamental design for a socket of pipe coupling, as  
shown and described.

(30) **Foreign Application Priority Data**

**DESCRIPTION**

Jun. 6, 2001 (JP) ..... 2001-016474

FIG. 1 is a perspective view of a socket of pipe coupling  
when seen from the top and left side of the front, showing  
my new design;

(51) **LOC (7) Cl.** ..... **23-01**

FIG. 2 is a front elevational view thereof;

(52) **U.S. Cl.** ..... **D23/262; D23/233**

FIG. 3 is a rear elevational view thereof;

(58) **Field of Search** ..... D23/266, 233,  
D23/260; 285/34, 35, 275, 277; 251/150,  
149.1

FIG. 4 is a left side elevational view thereof;

FIG. 5 is a right side elevational view thereof;

FIG. 6 is a top plan view thereof;

FIG. 7 is a bottom plan view thereof;

(56) **References Cited**

FIG. 8 is a partially cutaway, cross section taken across FIG.  
6 along line VIII—VIII; and,

**U.S. PATENT DOCUMENTS**

FIG. 9 is a partially cutaway, cross section taken across FIG.  
2 along line IX—IX.

D325,775 S \* 4/1992 Hayes ..... D23/262

D397,413 S \* 8/1998 Sapp ..... D23/262

D403,056 S \* 12/1998 Clivio ..... D23/262

D434,834 S \* 12/2000 Goto ..... D23/262

**1 Claim, 5 Drawing Sheets**

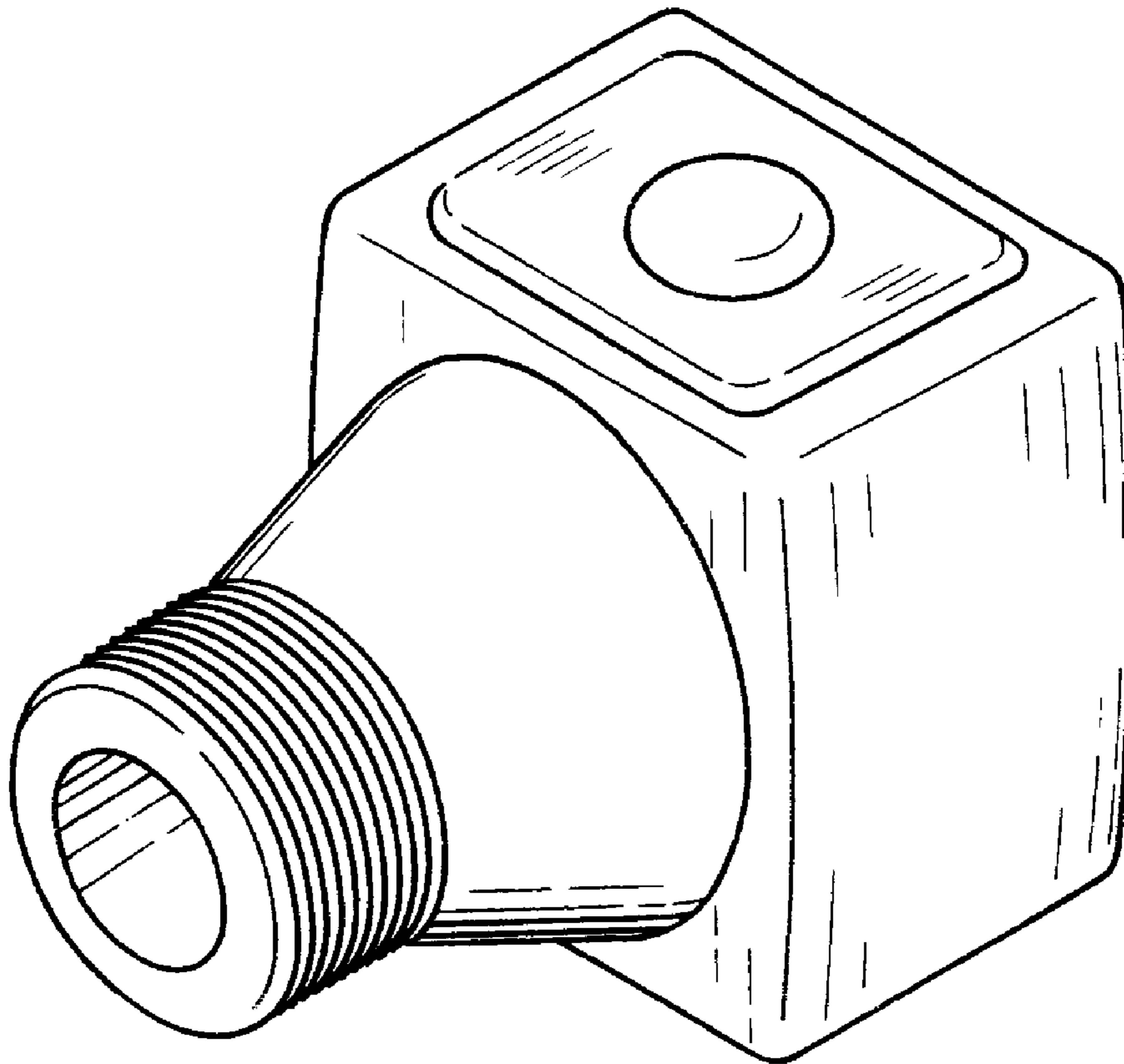


FIG. 1

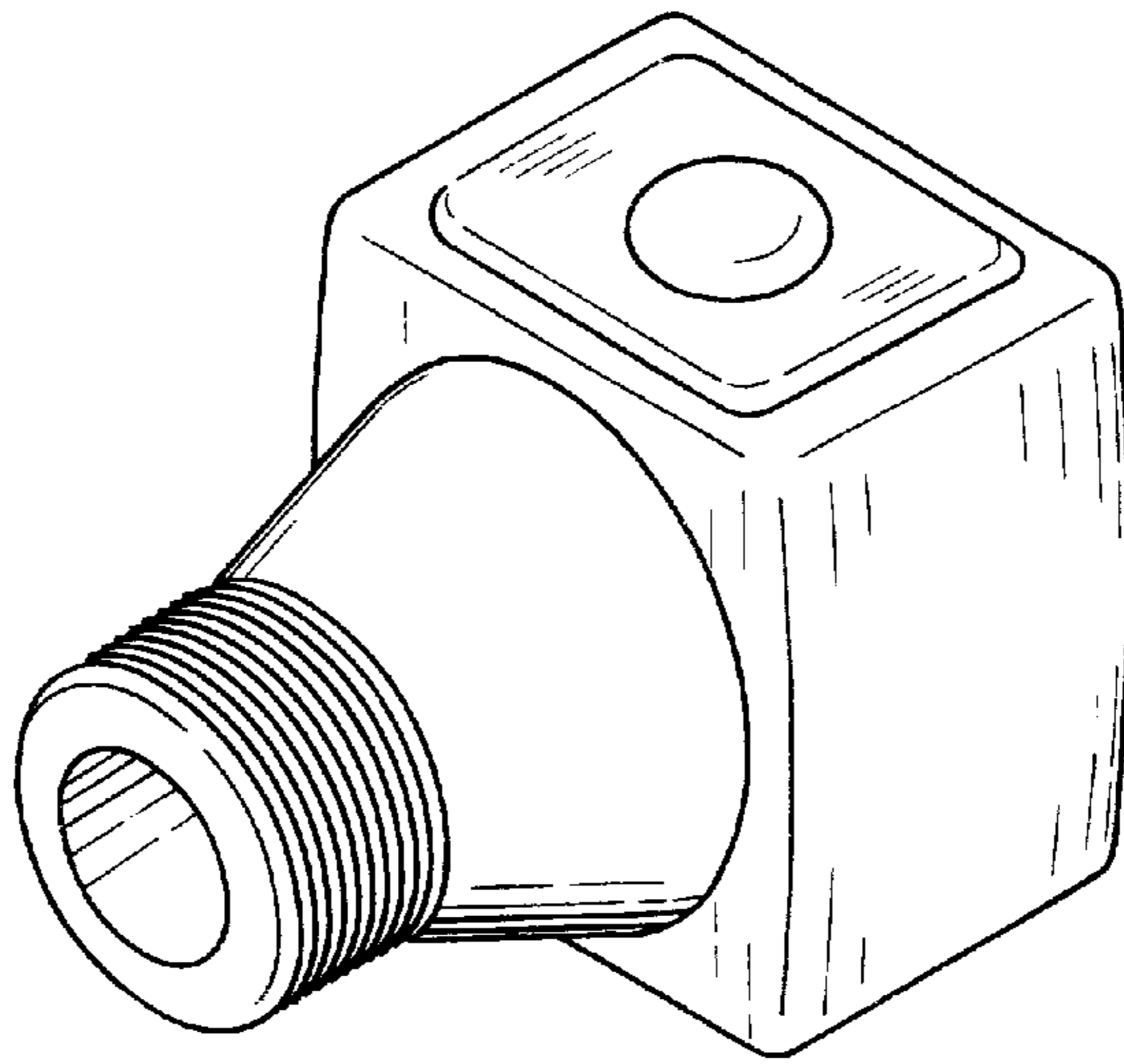


FIG. 2

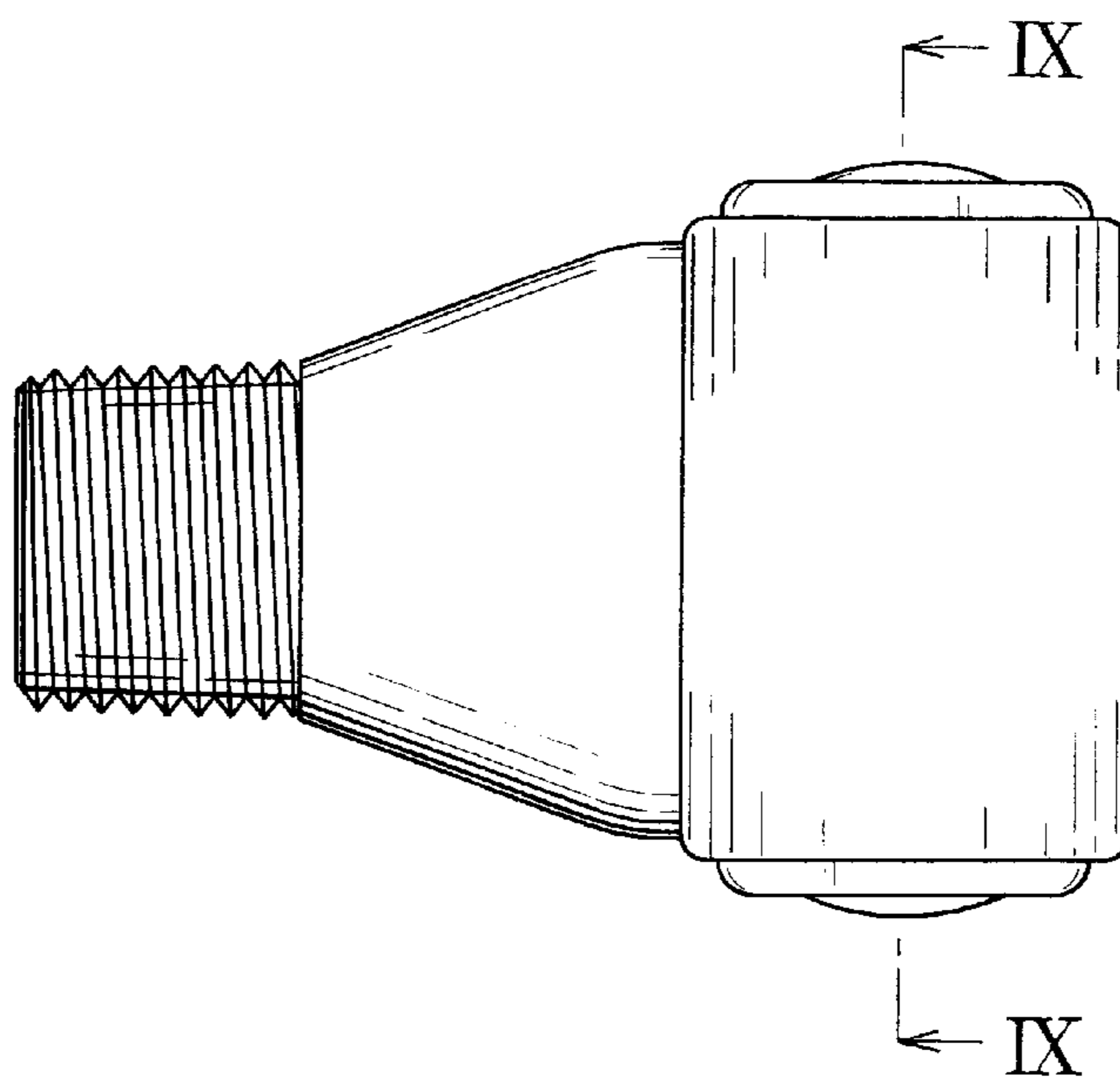


FIG. 3

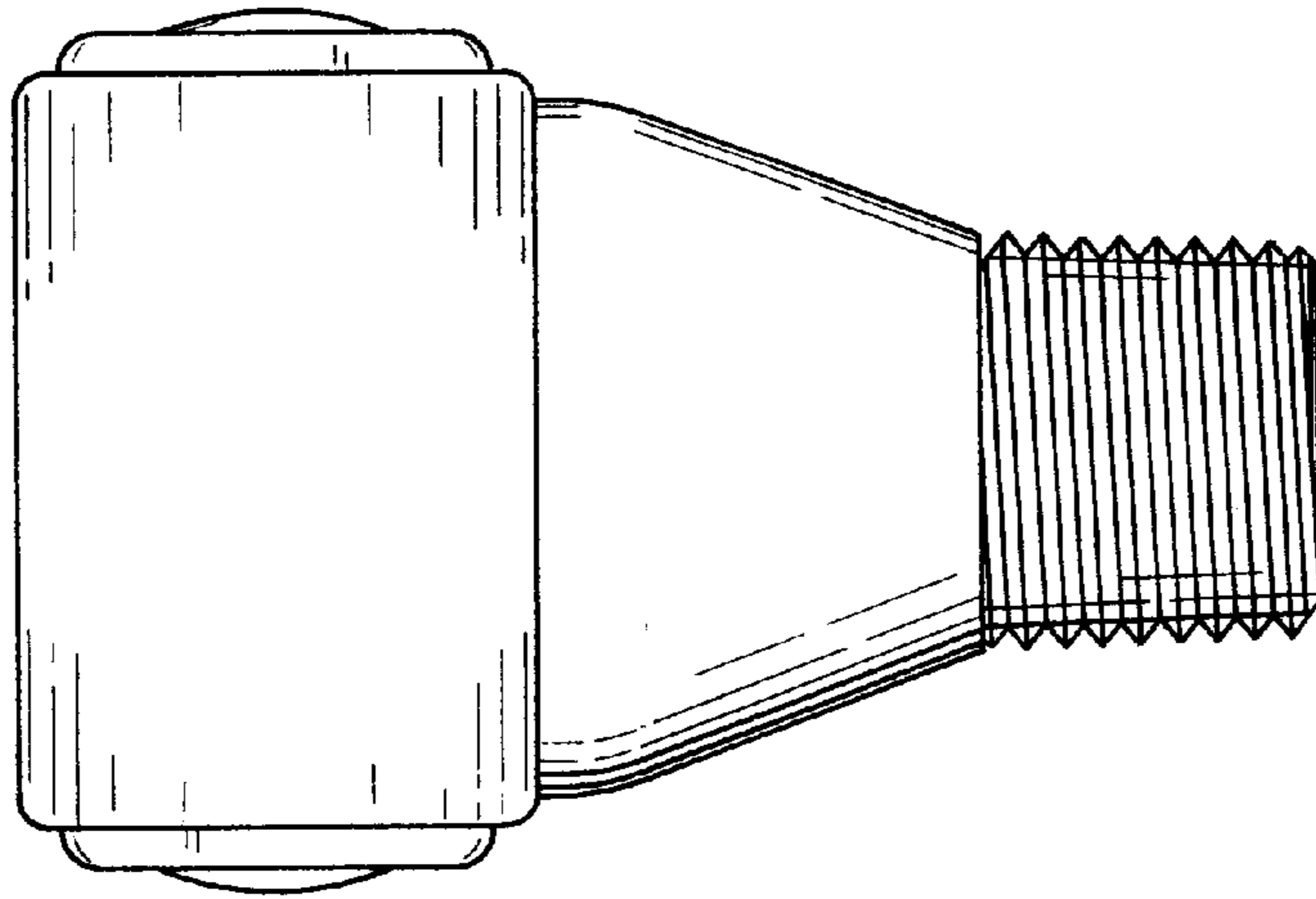


FIG. 4

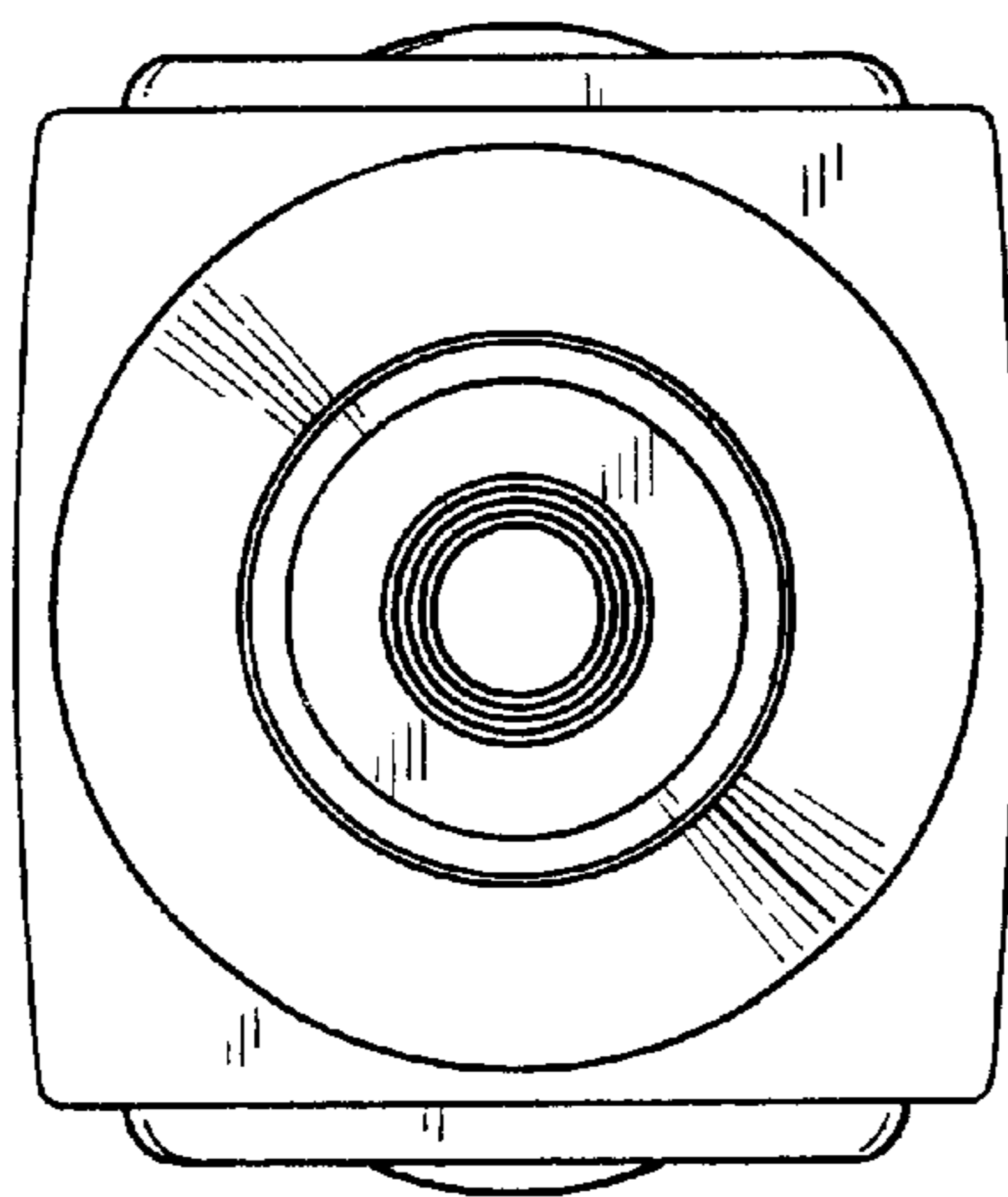


FIG. 5

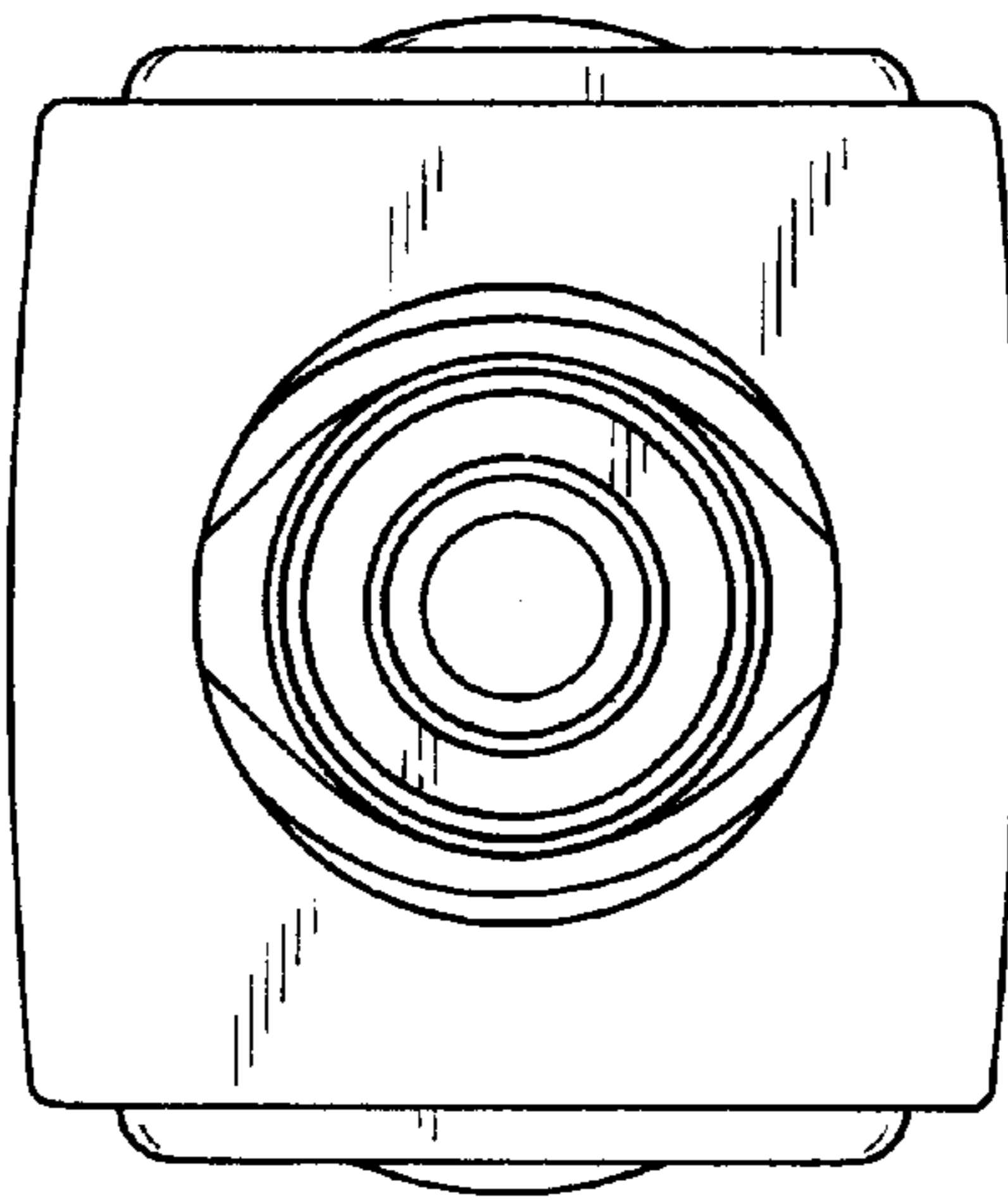


FIG. 6

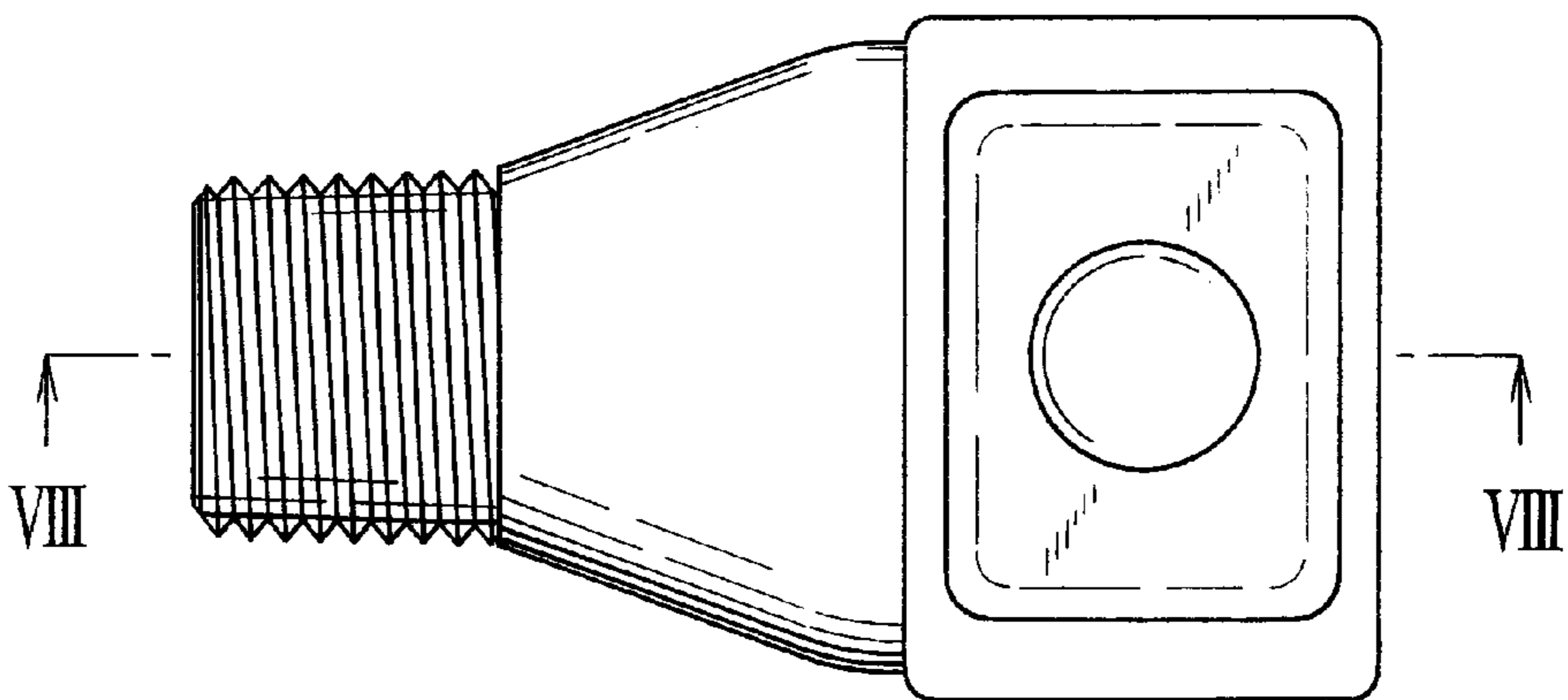


FIG. 7

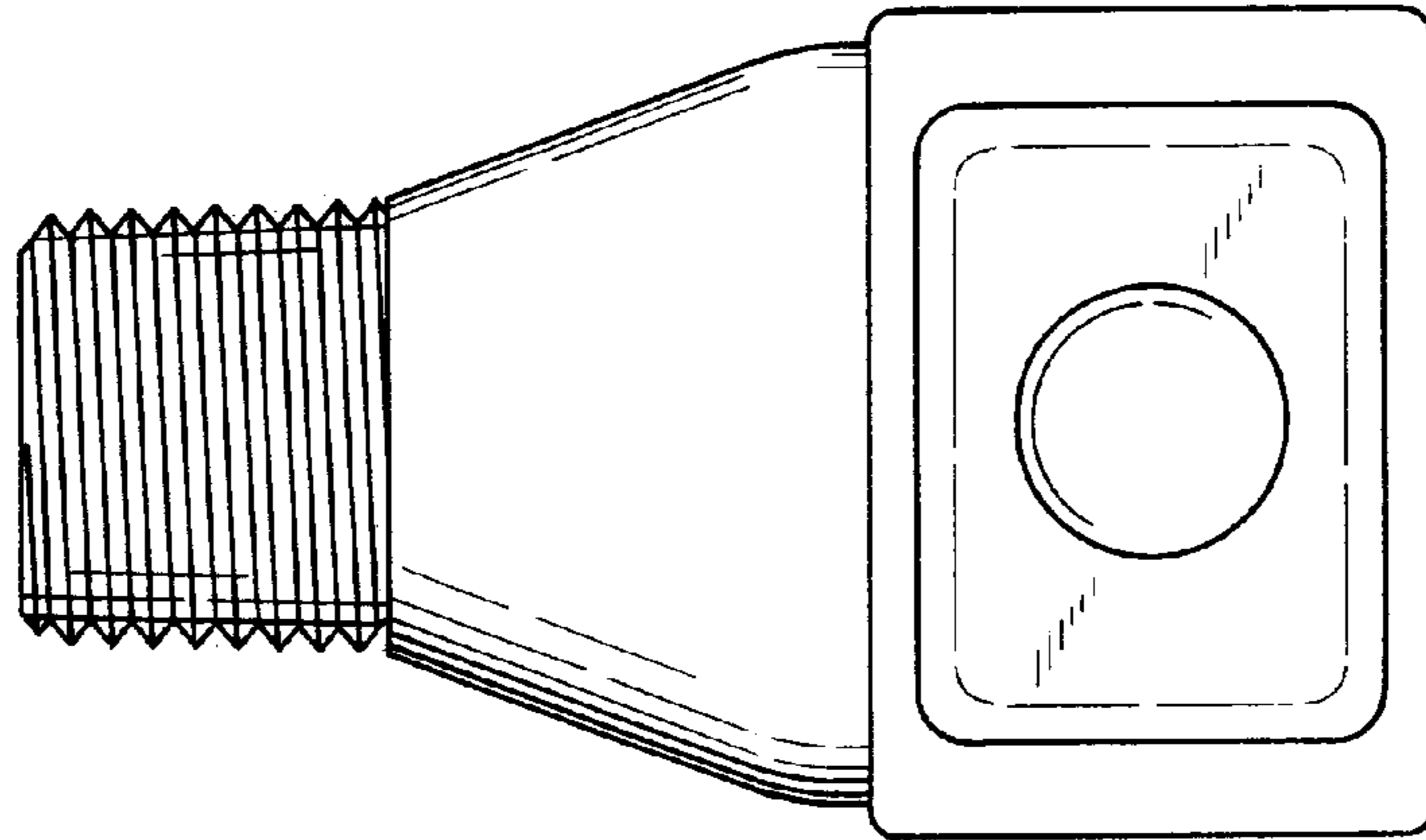
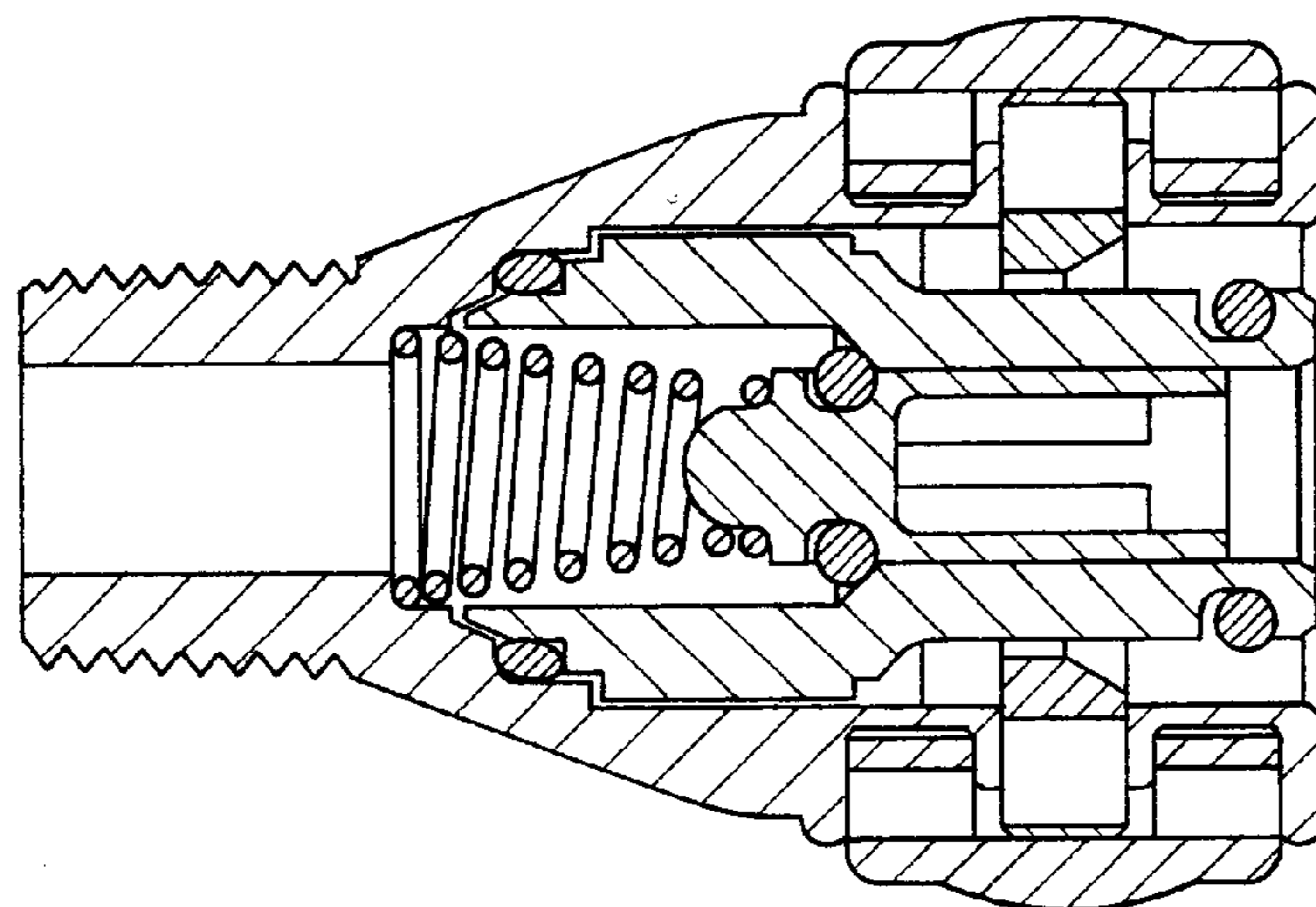


FIG. 8



# FIG. 9

