



US00D462111S

(12) **United States Design Patent**  
**Turnau, III et al.**

(10) **Patent No.:** **US D462,111 S**

(45) **Date of Patent:** **\*\* Aug. 27, 2002**

(54) **VALVE HANDLE**

D344,786 S \* 3/1994 Short et al. .... D23/252  
D432,634 S \* 10/2000 Higgins et al. .... D23/250

(75) Inventors: **William Franklin Turnau, III**, Canton;  
**Douglas Wayne Mirth**, Plymouth, both  
of MI (US)

\* cited by examiner

(73) Assignee: **Brass-Craft Manufacturing Co.**, Novi,  
MI (US)

*Primary Examiner*—Louis S. Zarfes

*Assistant Examiner*—Gregory Andoll

(\*\*) Term: **14 Years**

(74) *Attorney, Agent, or Firm*—Edgar A. Zarins; Lloyd D.  
Doigan

(21) Appl. No.: **29/148,058**

(57) **CLAIM**

(22) Filed: **Sep. 12, 2001**

The ornamental design for a valve handle, as shown and  
described.

(51) **LOC (7) Cl.** ..... **23-01**

**DESCRIPTION**

(52) **U.S. Cl.** ..... **D23/252**

FIG. 1 is a perspective view of a valve handle showing our  
new design;

(58) **Field of Search** ..... D23/238–257;

D8/300–312, DIG. 3; 4/675–678; 16/110 R–125;  
137/801

FIG. 2 is a top plan view thereof;

FIG. 3 is a bottom plan view thereof;

FIG. 4 is a left side view thereof;

FIG. 5 is a right side view thereof;

FIG. 6 is a front elevational view thereof; and,

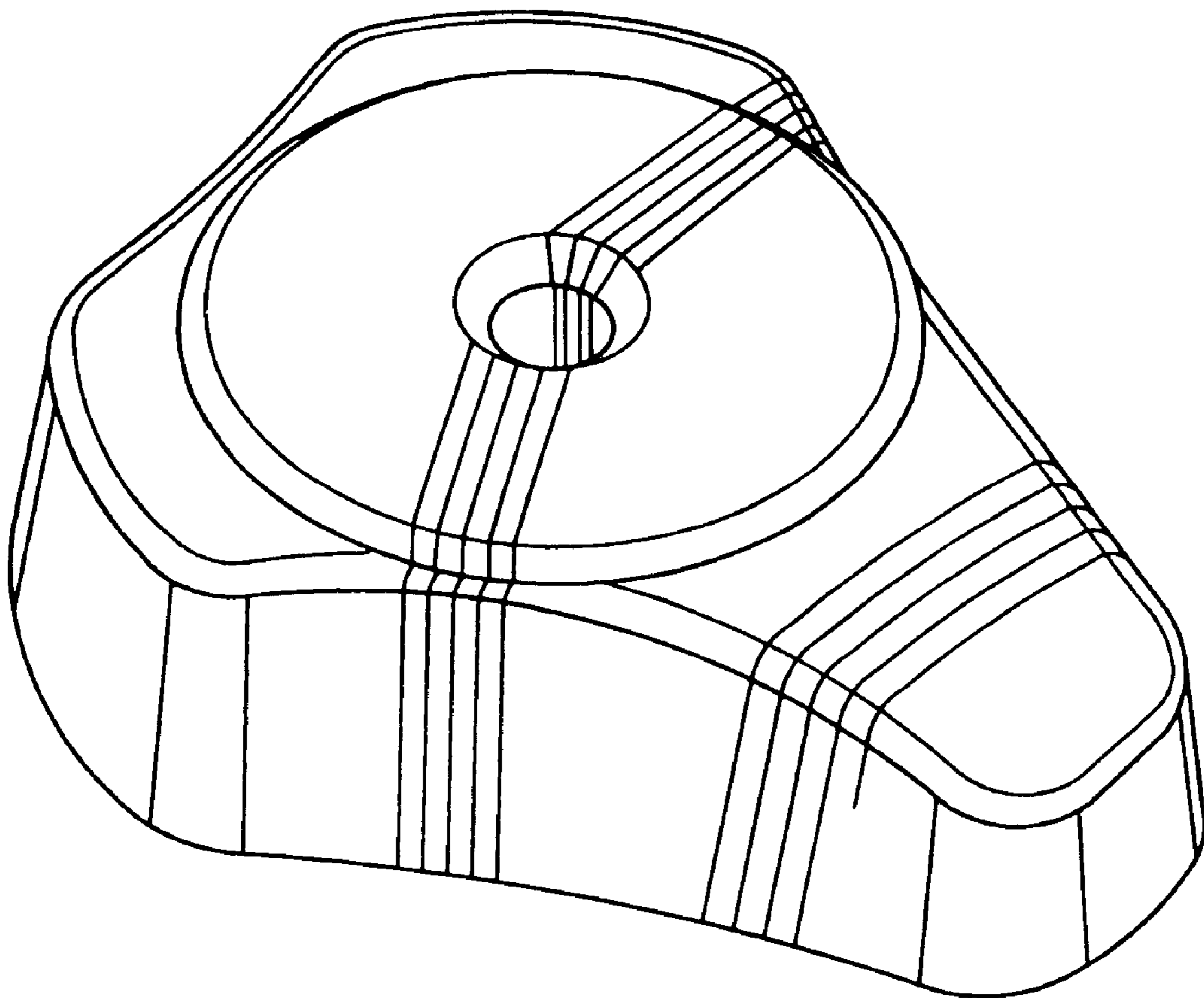
FIG. 7 is a rear elevational view thereof.

(56) **References Cited**

**U.S. PATENT DOCUMENTS**

D127,735 S \* 6/1941 Dreyfuss ..... D23/250  
D276,745 S \* 12/1984 Hill et al. .... D23/250

**1 Claim, 3 Drawing Sheets**



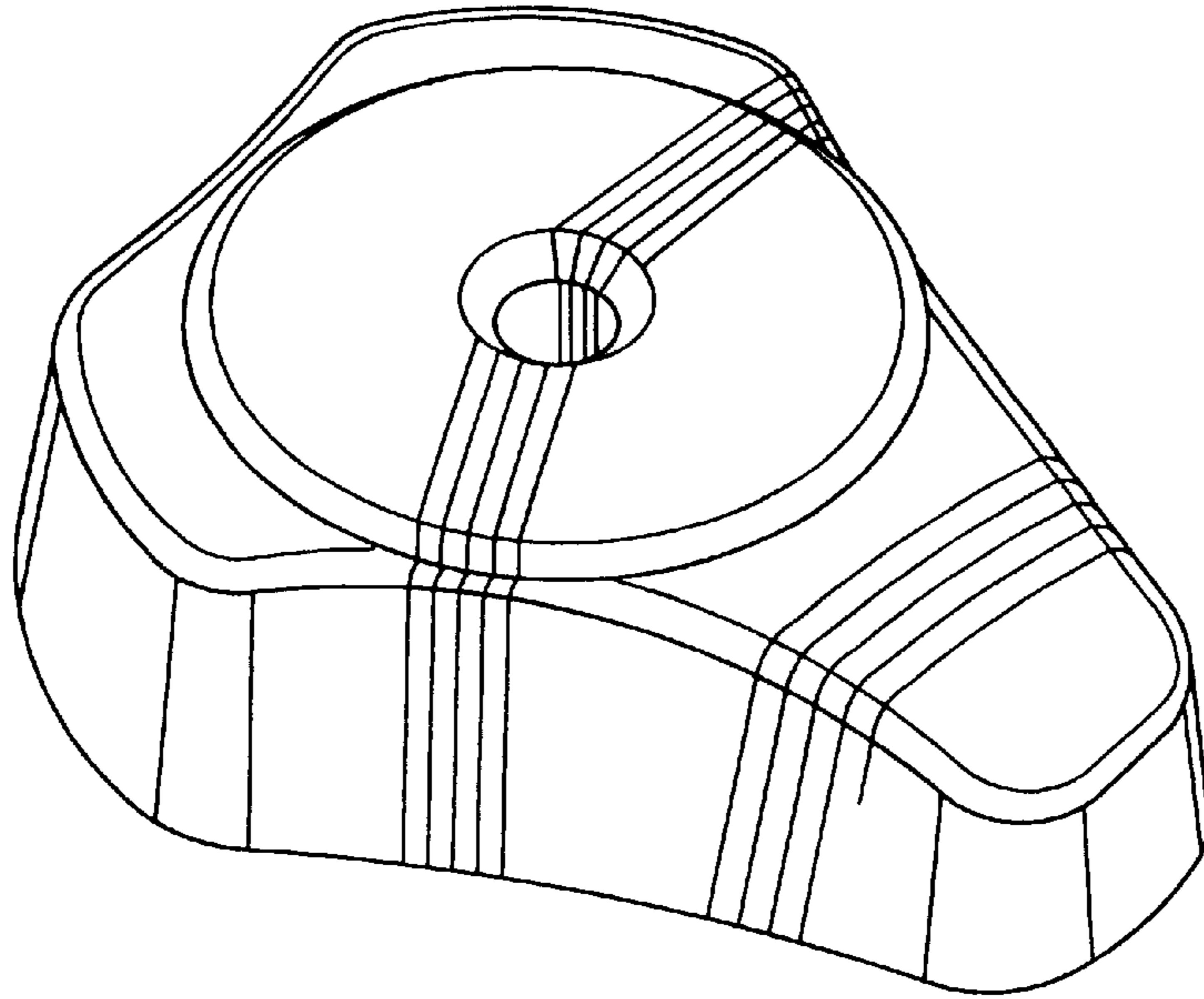


Fig-1

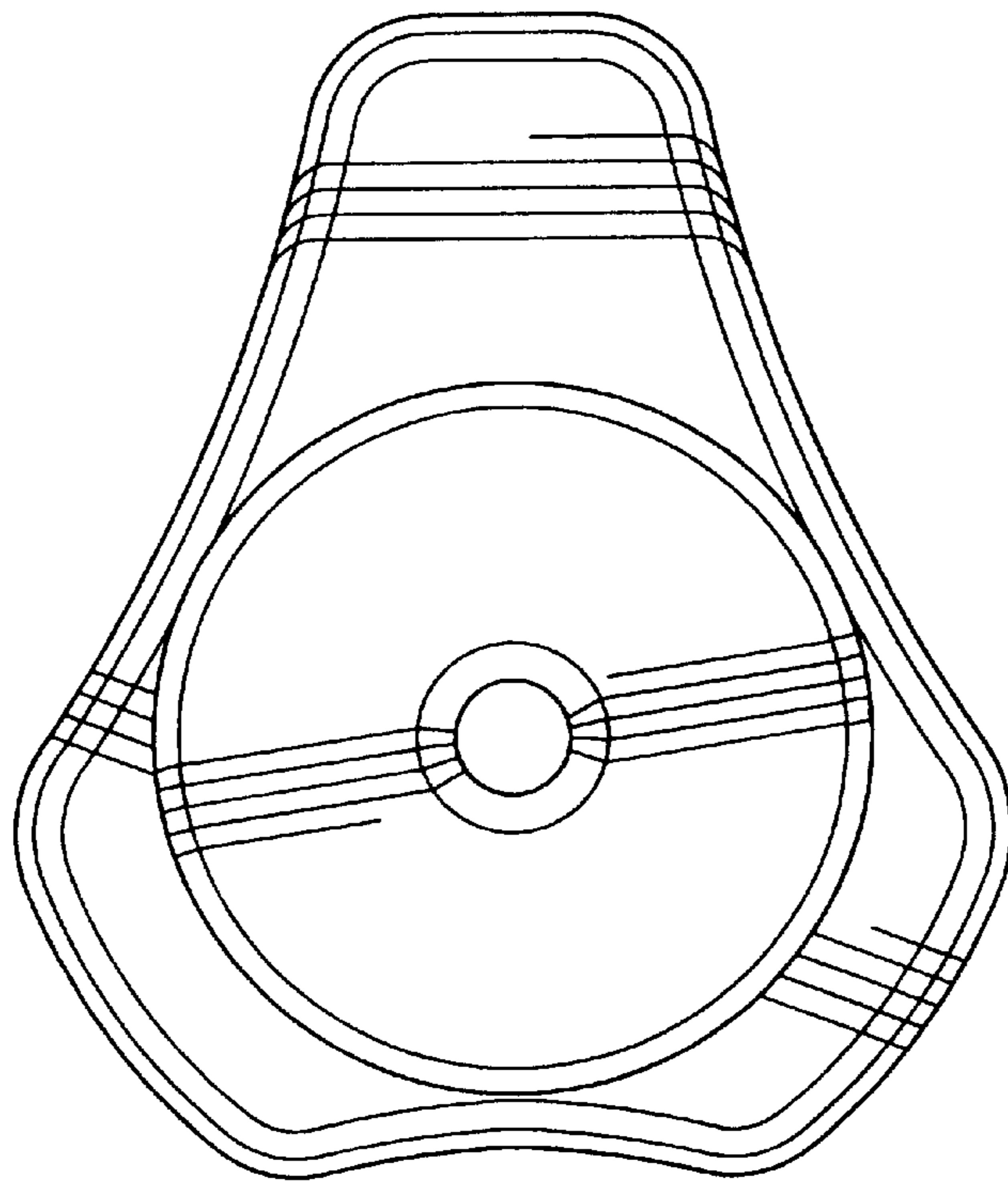


Fig-2

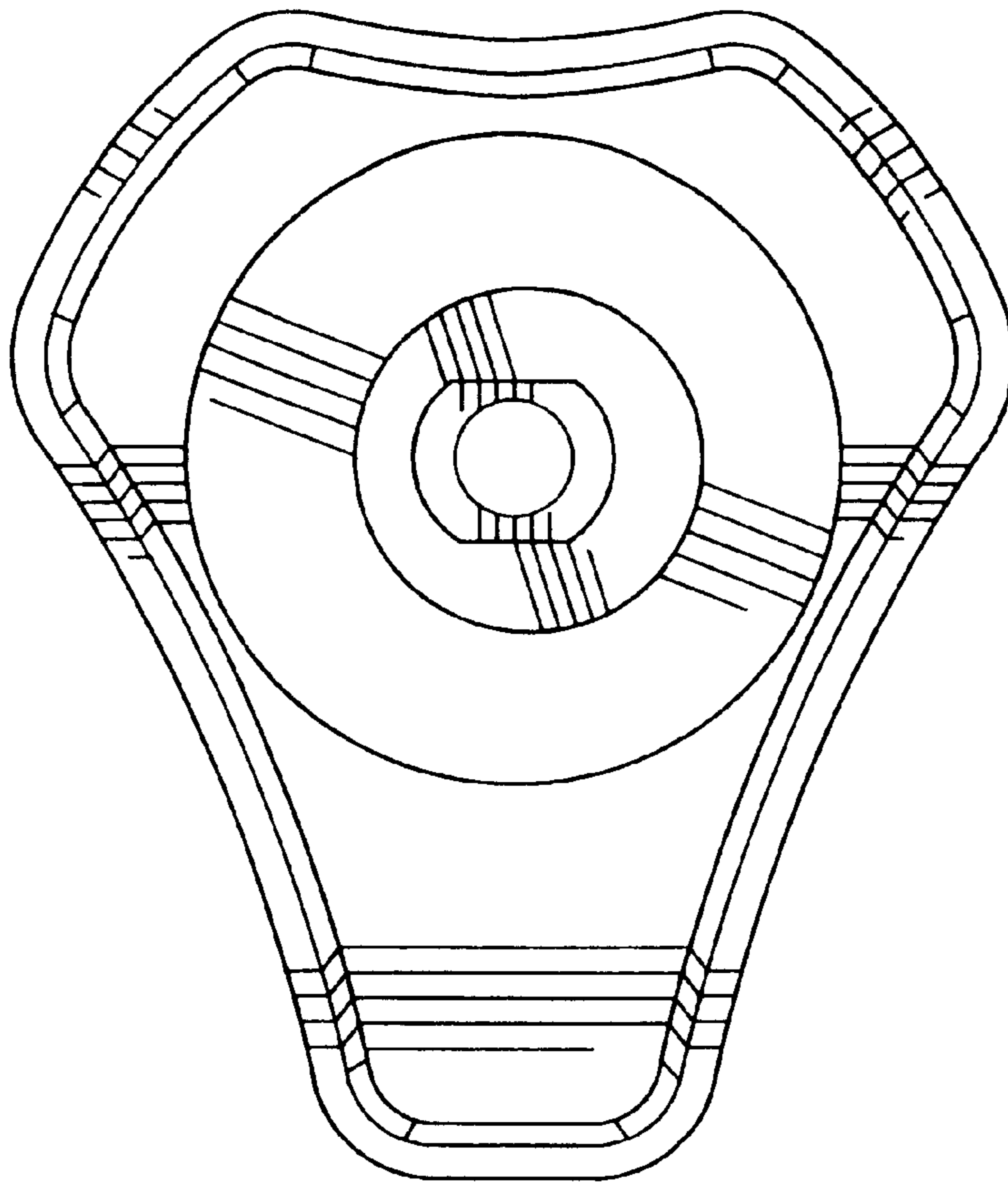


Fig-3

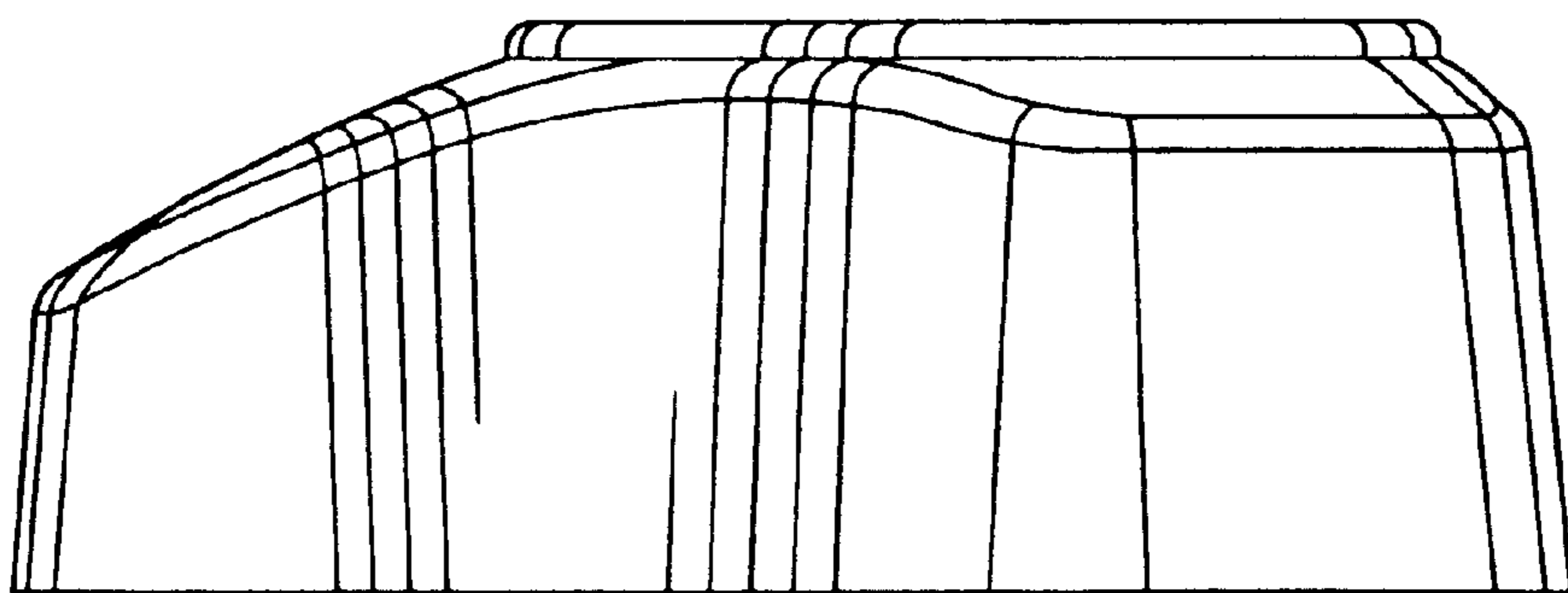


Fig-4

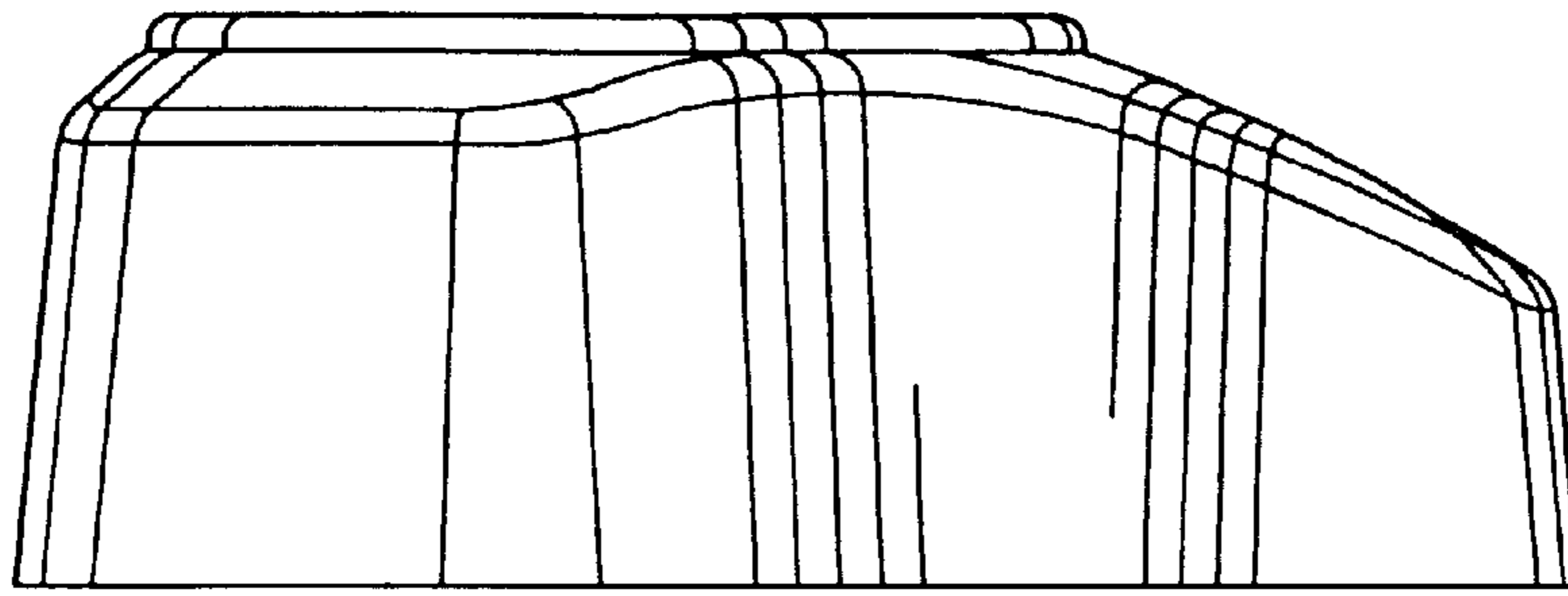


Fig-5

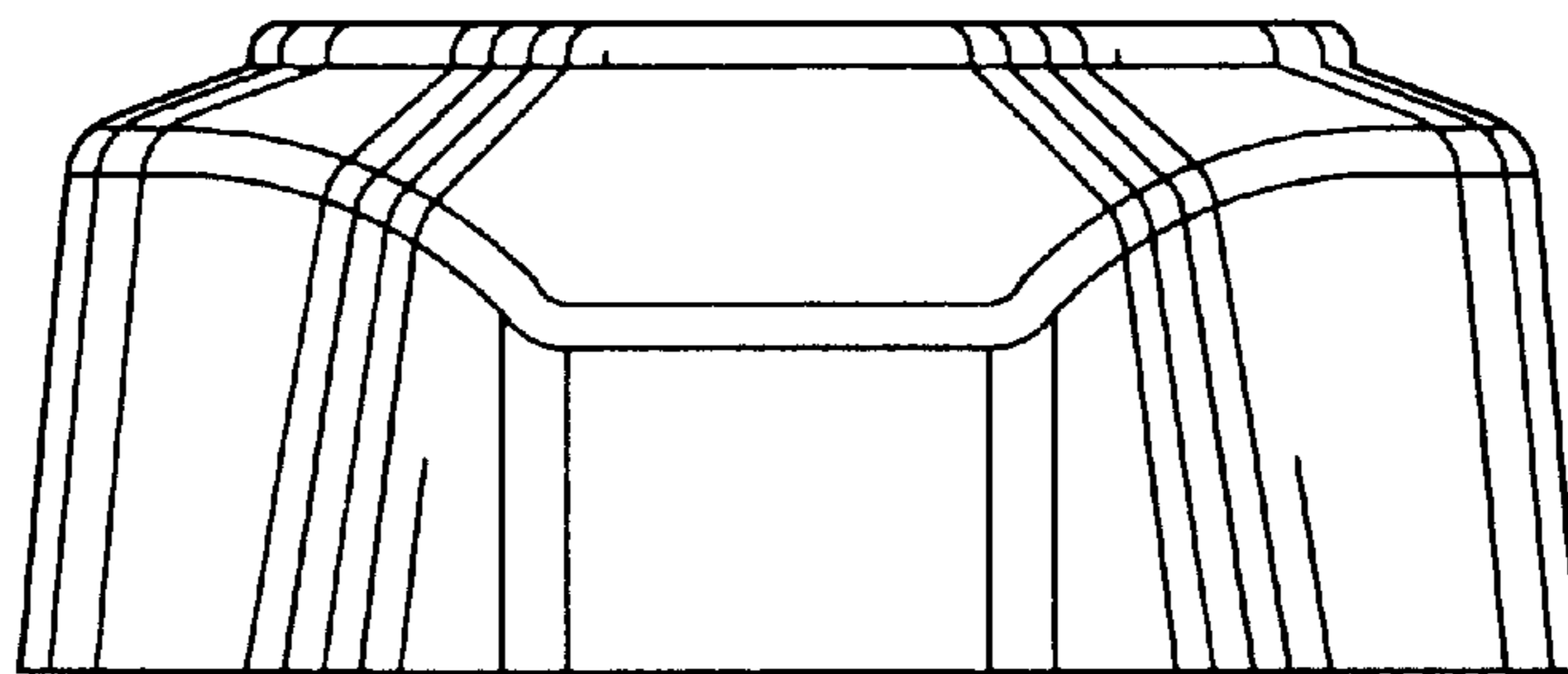


Fig-6

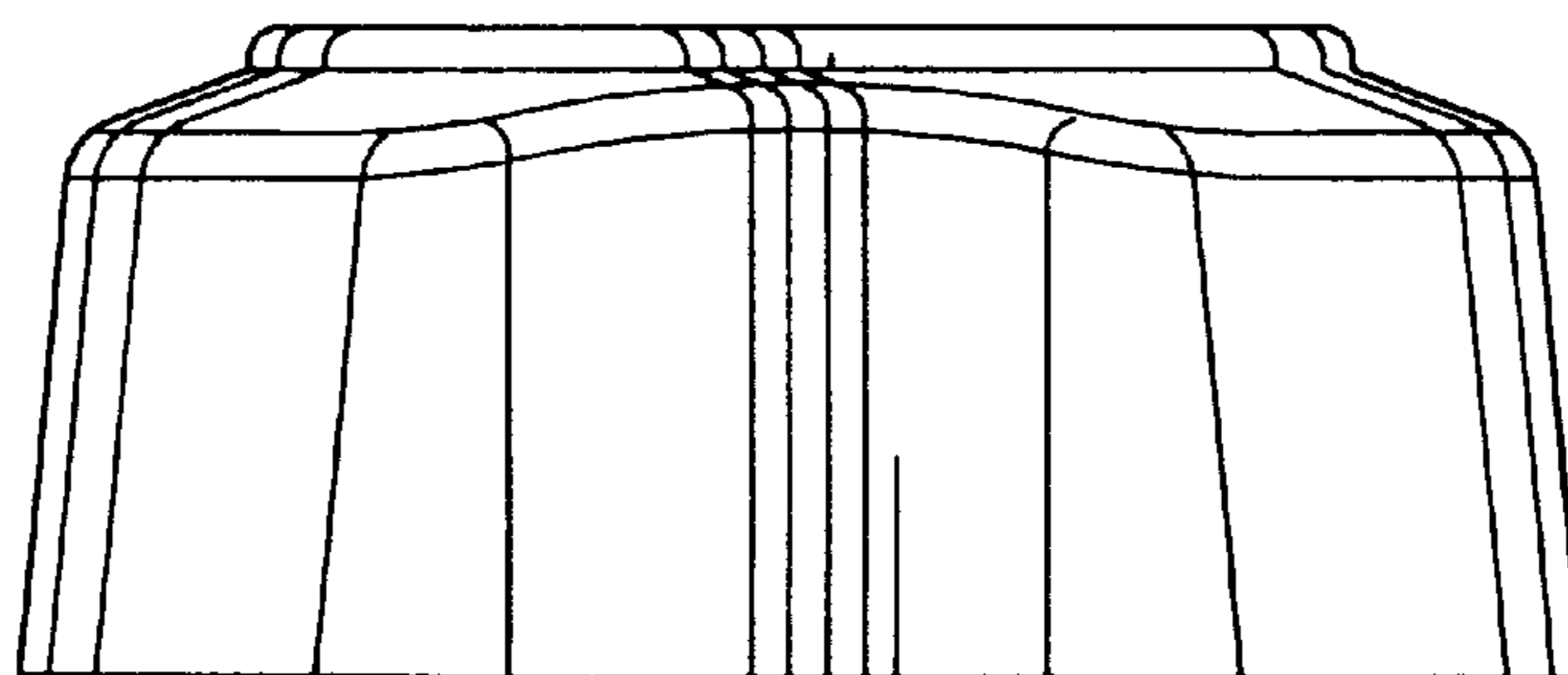


Fig-7