



US00D462109S

(12) **United States Design Patent**  
**Adams**

(10) **Patent No.:** **US D462,109 S**

(45) **Date of Patent:** **\*\* Aug. 27, 2002**

(54) **SPRAY NOZZLE FOR A FIRE PROTECTION SYSTEM**

*Primary Examiner*—Robin V. Taylor  
(74) *Attorney, Agent, or Firm*—Leydig, Voit & Mayer, Ltd.

(75) **Inventor:** **Robert J. Adams**, St. Charles, IL (US)

(57) **CLAIM**

(73) **Assignee:** **Spraying Systems Co.**, Wheaton, IL (US)

The ornamental design for a spray nozzle for a fire protection system, as described and shown.

(\*\*) **Term:** **14 Years**

**DESCRIPTION**

(21) **Appl. No.:** **29/137,116**

FIG. 1 is a perspective view of a spray nozzle, showing my claimed design, wherein the spray nozzle includes a barrel having four concentric grooves;

(22) **Filed:** **Feb. 13, 2001**

FIG. 2 is a front elevation view thereof;

(51) **LOC (7) Cl.** ..... **23-01**

FIG. 3 is a side elevation view thereof;

(52) **U.S. Cl.** ..... **D23/213**

FIG. 4 is a bottom base view thereof;

(58) **Field of Search** ..... D23/213, 214;  
239/589, 550; 169/37

FIG. 5 is a top plan view thereof;

(56) **References Cited**

FIG. 6 is a side elevation view of a spray nozzle according to an alternative design, the spray nozzle being substantially similar to that of FIG. 1, but having a barrel with one groove.

**U.S. PATENT DOCUMENTS**

4,213,567	A	*	7/1980	McIntire	.....	169/37
D370,961	S	*	6/1996	Soule	.....	D23/213
D395,484	S	*	6/1998	Jepsen	.....	D23/213
D413,372	S	*	8/1999	Jensen	.....	D23/214
6,123,153	A	*	9/2000	Finnegan	.....	169/37
D438,933	S	*	3/2001	Sundholm	.....	D23/213

FIG. 7 is a side elevation view of a spray nozzle according to an alternative design; the spray nozzle being substantially similar to that of FIG. 1, but having a barrel with two grooves; and,

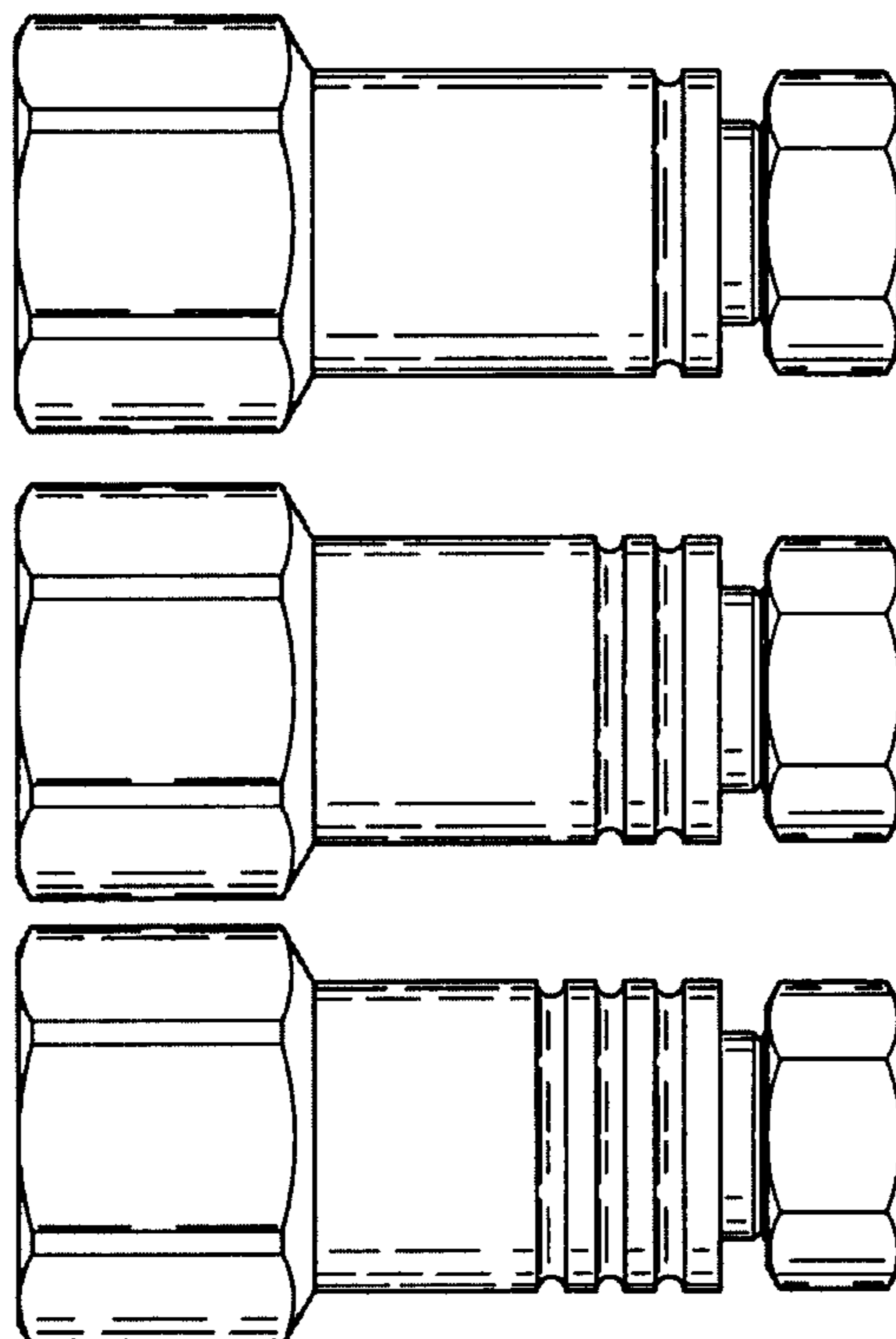
**OTHER PUBLICATIONS**

Spraying Systems Co. Dec. 1985 catalog; #12430 spray head.\*

FIG. 8 is a side elevation view of a spray nozzle according to an alternative design, the spray nozzle being substantially similar to that of FIG. 1, but having a barrel with three grooves.

\* cited by examiner

**1 Claim, 2 Drawing Sheets**



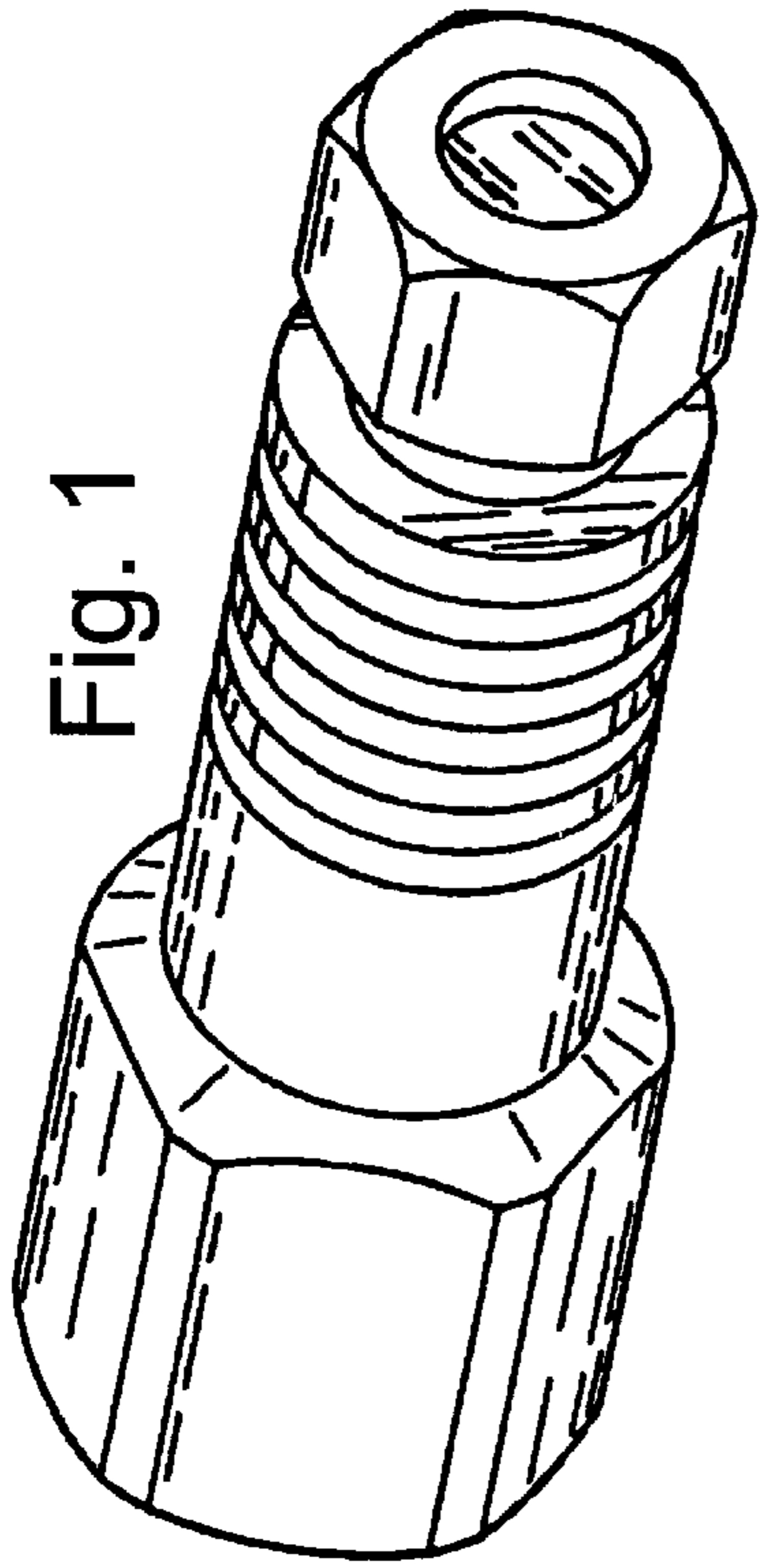


Fig. 1

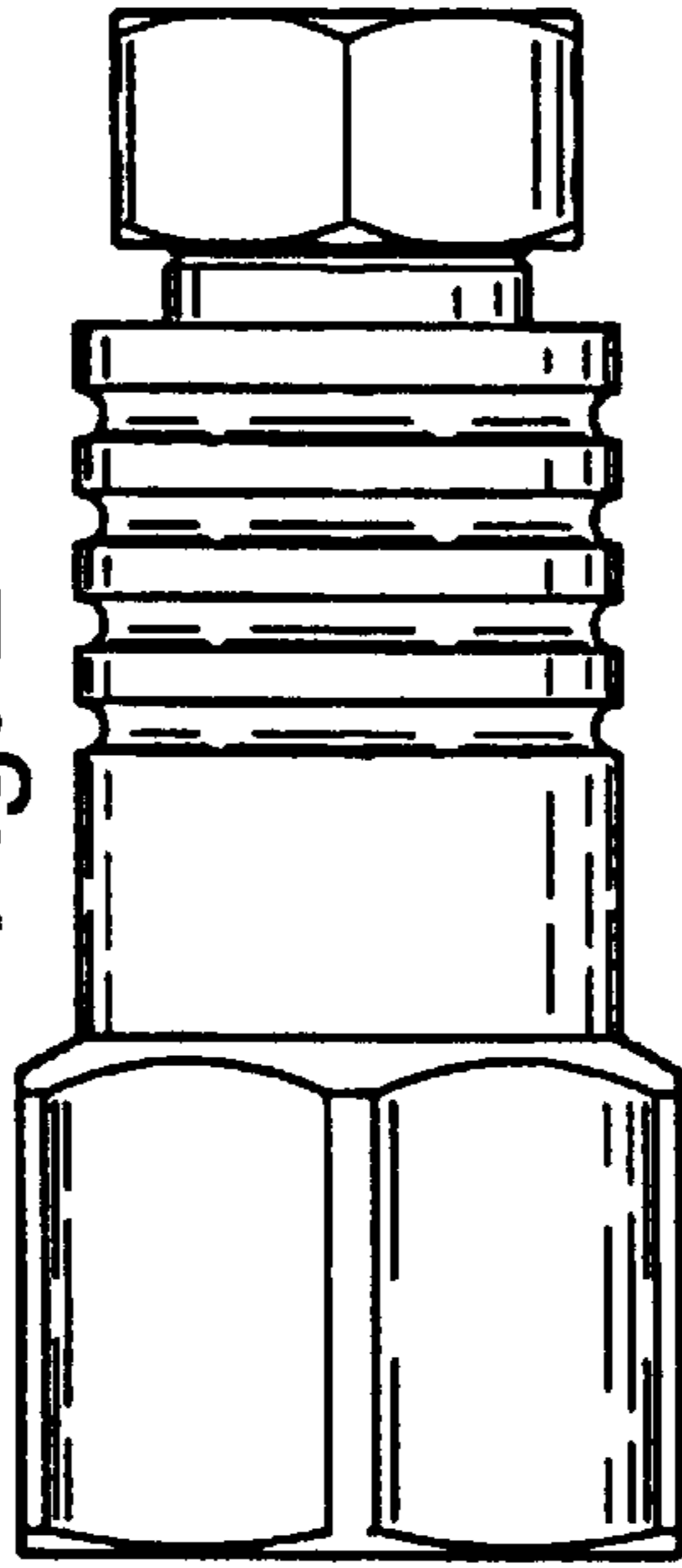


Fig. 2

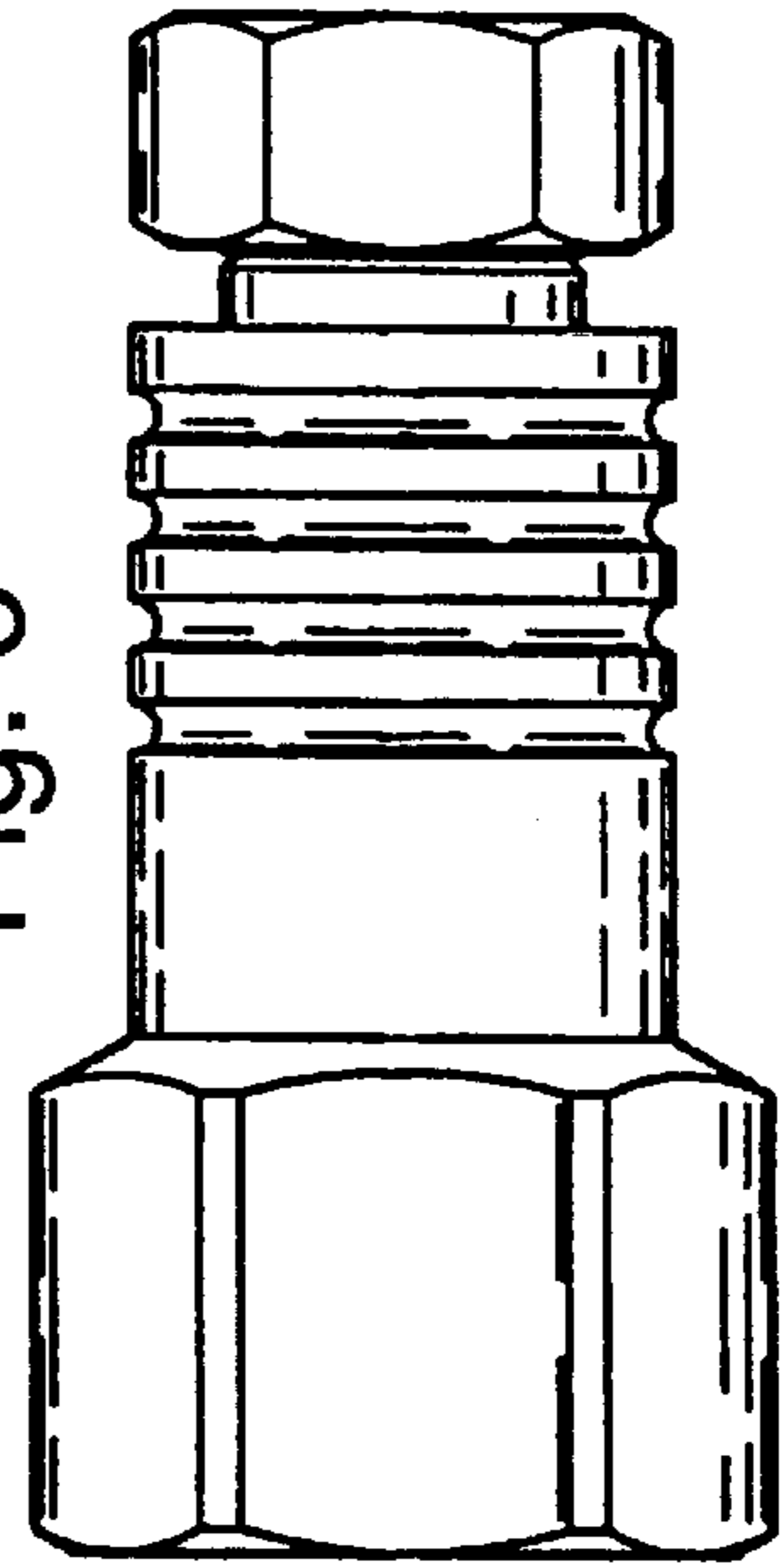


Fig. 3

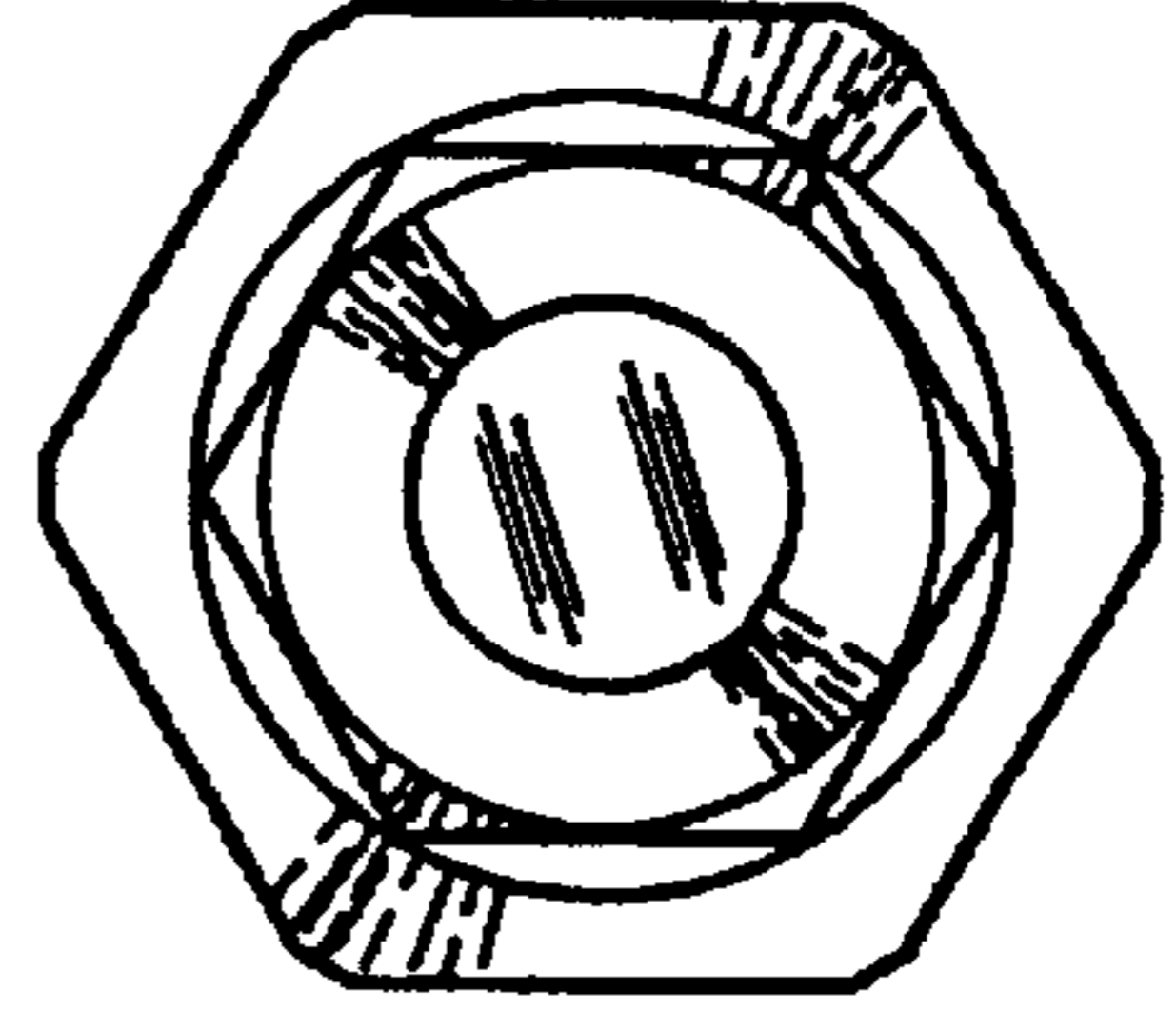


Fig. 4

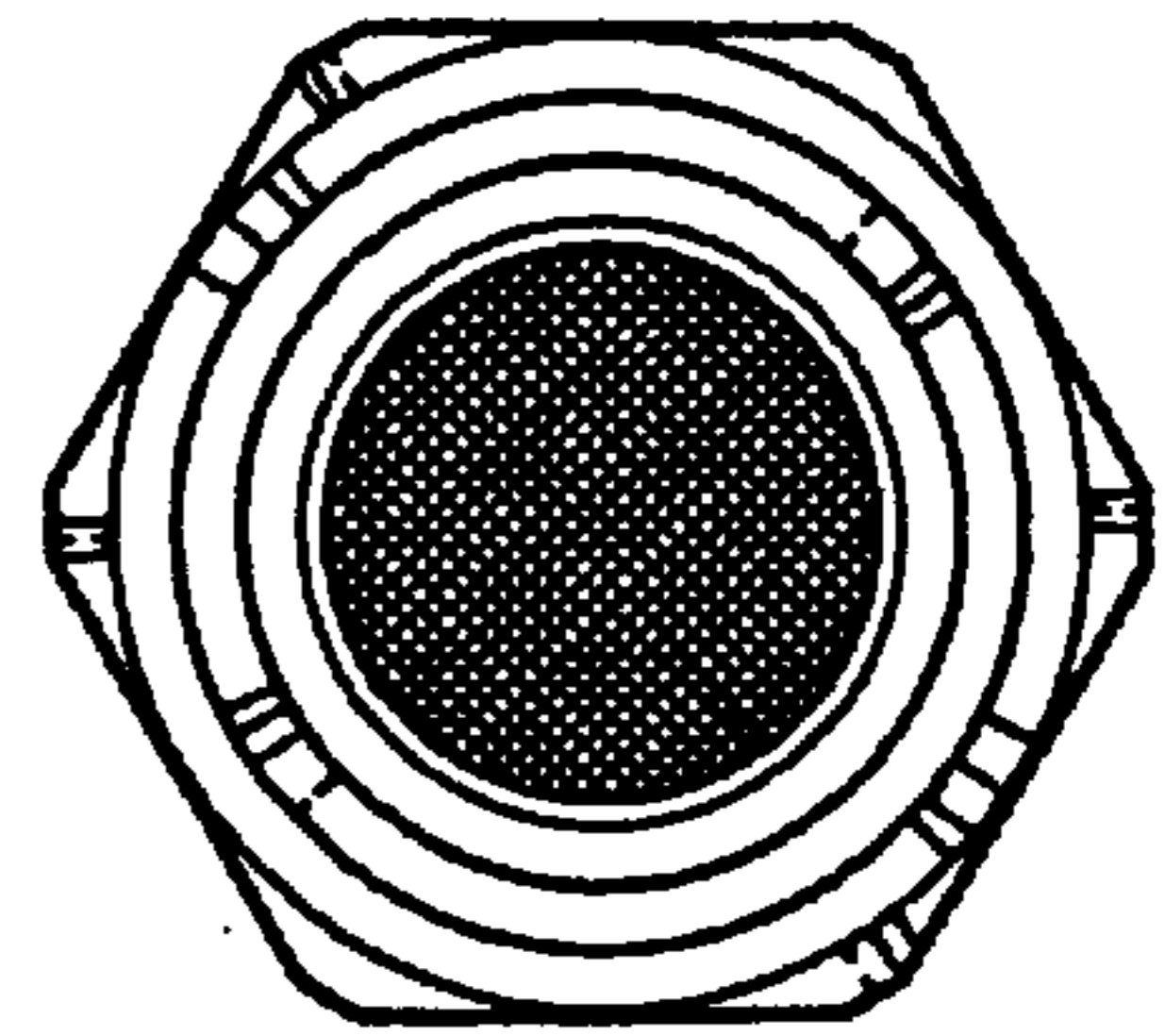


Fig. 5

Fig. 6

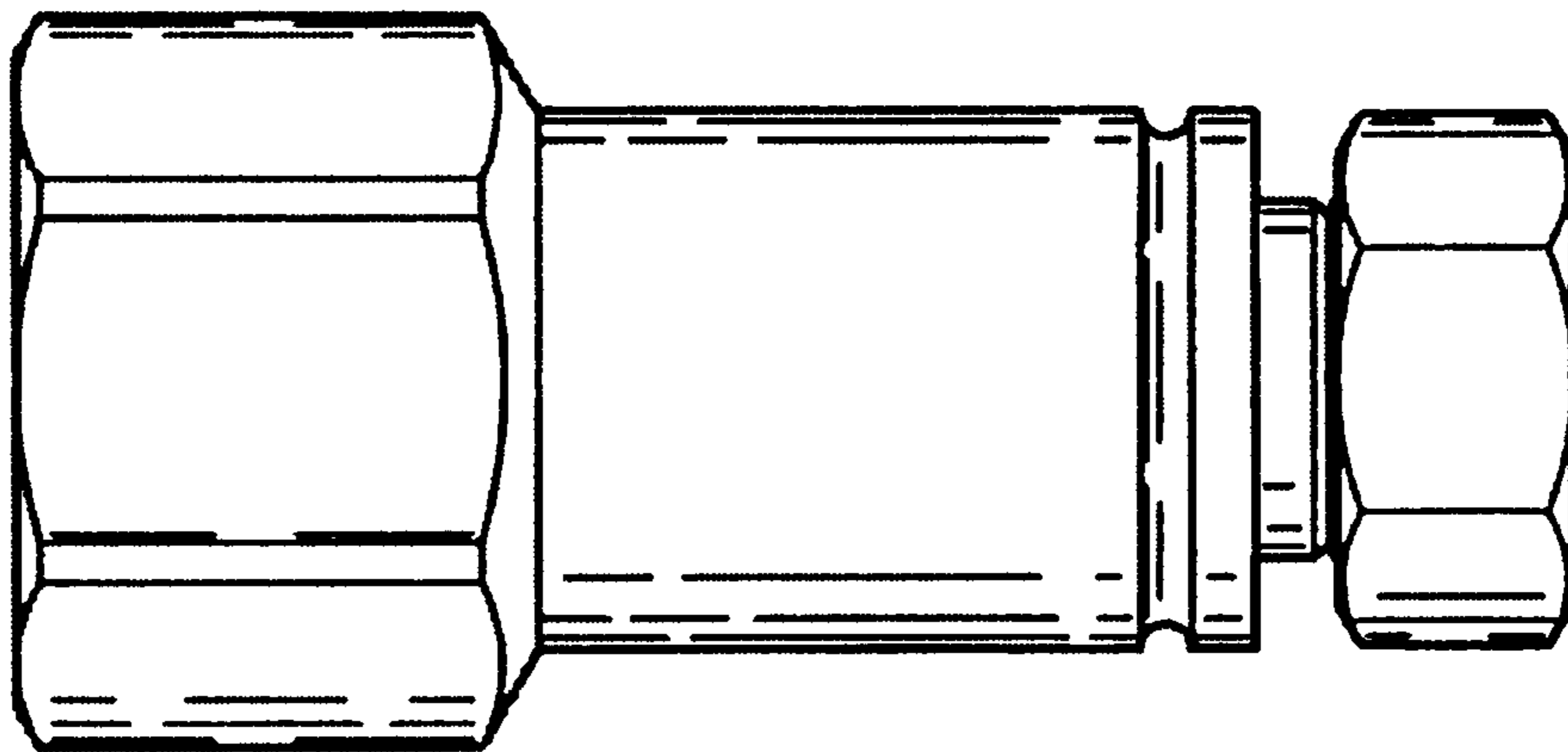


Fig. 7

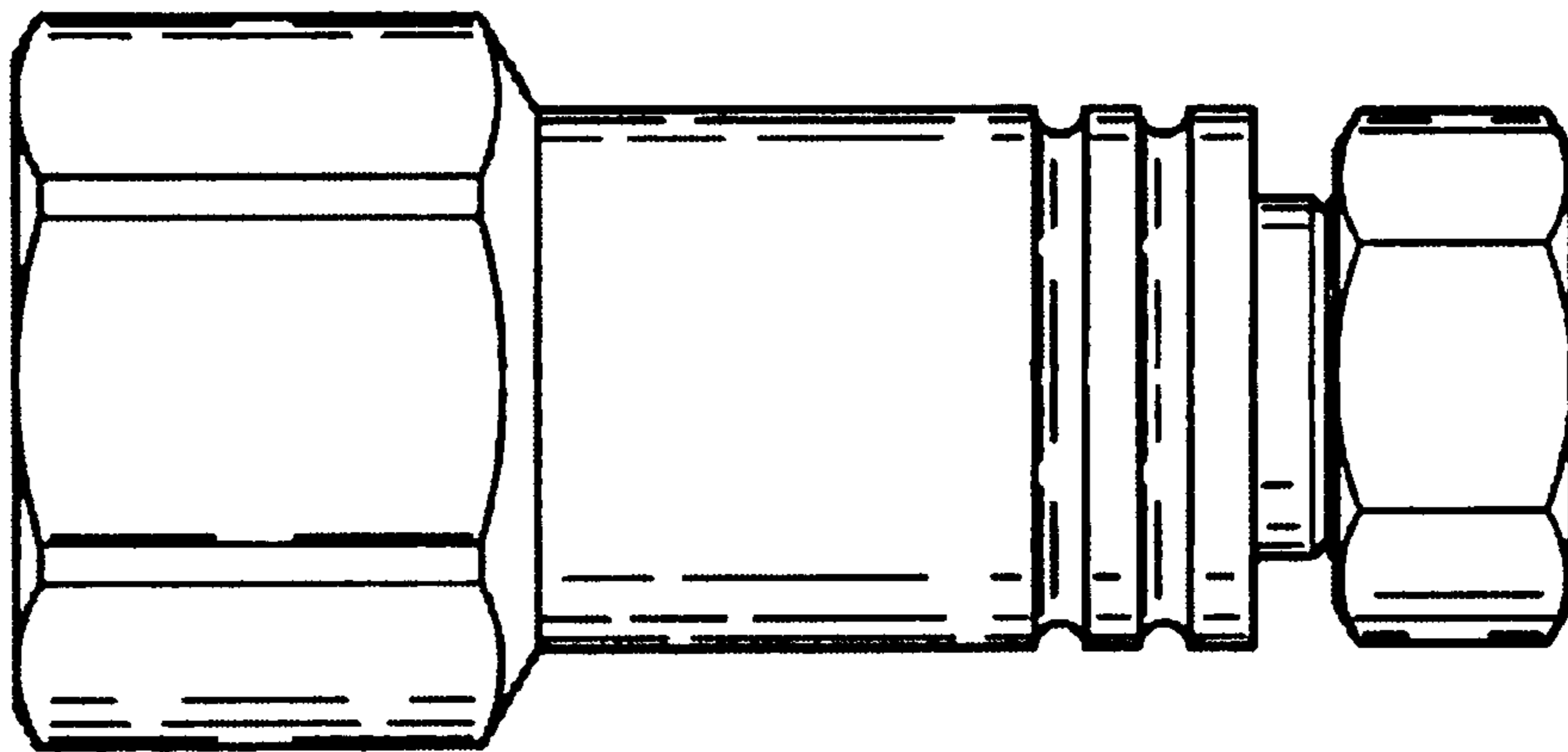


Fig. 8

