



US00D462108S

(12) **United States Design Patent**
Farley

(10) **Patent No.:** **US D462,108 S**

(45) **Date of Patent:** **** Aug. 27, 2002**

(54) **SHOWER FILTER HOUSING**

D441,048 S 4/2001 Archer
6,325,930 B2 * 12/2001 Farley 210/282

(76) Inventor: **David K. Farley**, 1827 Capital St.,
Corona, CA (US) 92880

* cited by examiner

(**) Term: **14 Years**

Primary Examiner—Robin V. Taylor
(74) *Attorney, Agent, or Firm*—James G. O'Neill

(21) Appl. No.: **29/151,364**

(57) **CLAIM**

(22) Filed: **Nov. 8, 2001**

The ornamental design for a shower filter housing, as shown and described.

(51) **LOC (7) Cl.** **23-01**

(52) **U.S. Cl.** **D23/209**

(58) **Field of Search** D23/228, 207,
D23/209; 210/460, 449, 282

DESCRIPTION

FIG. 1 is a perspective view of a shower filter housing showing my new design, looking toward the front and bottom thereof; the broken line representation of a shower head is for illustrative purposes only and forms no part of the claimed design;

FIG. 2 is a bottom plan view thereof;

FIG. 3 is a top plan view thereof; and,

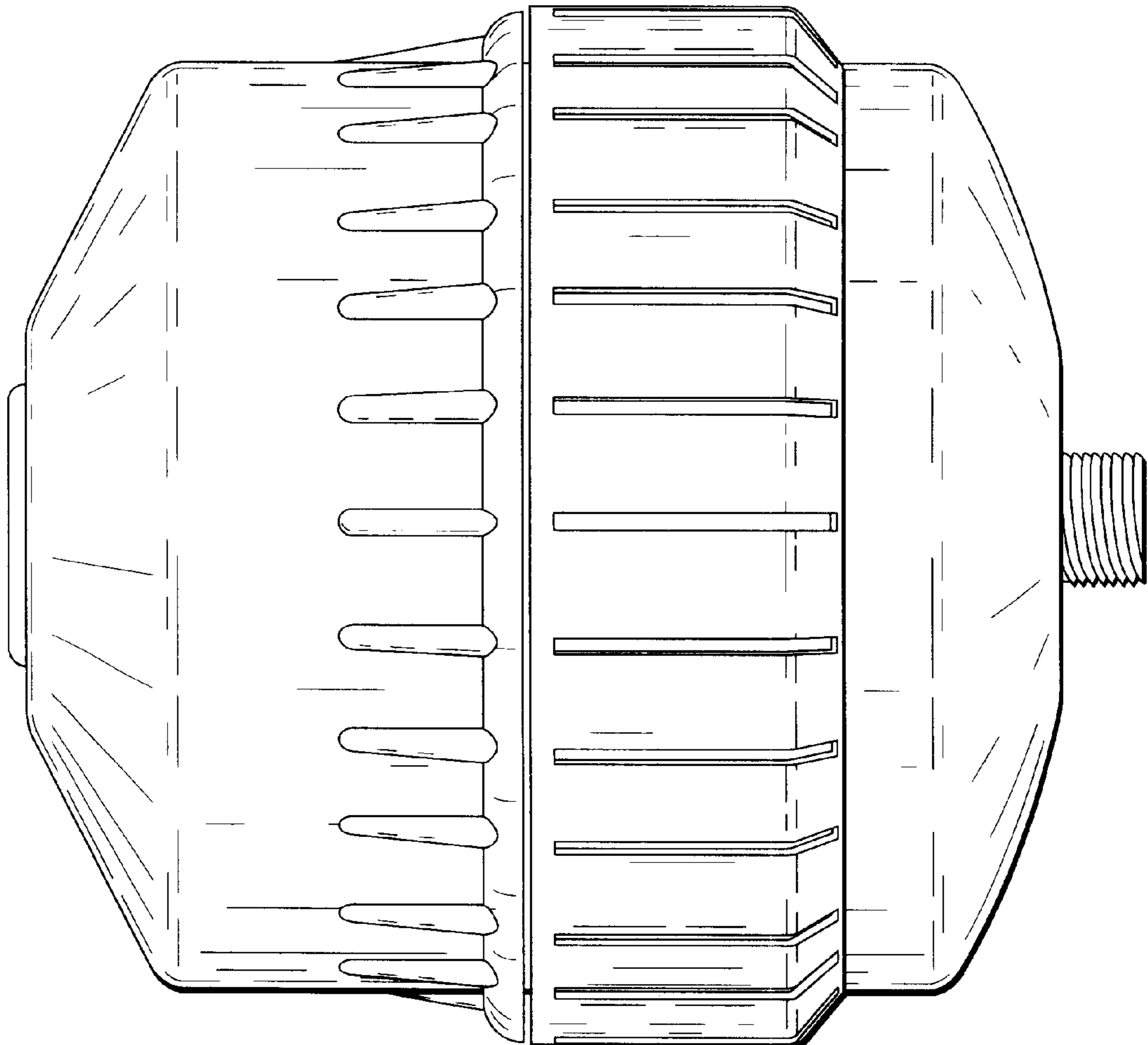
FIG. 4 is a first side view thereof; the remaining side views thereof being identical to that shown.

(56) **References Cited**

U.S. PATENT DOCUMENTS

D361,622 S	8/1995	Farley	
5,549,822 A *	8/1996	Ferguson	210/282
D406,874 S	3/1999	Farley	
D416,072 S *	11/1999	Douglas	D23/209
6,187,187 B1 *	2/2001	Farley	210/282
D438,593 S *	3/2001	Jang	D23/209

1 Claim, 3 Drawing Sheets



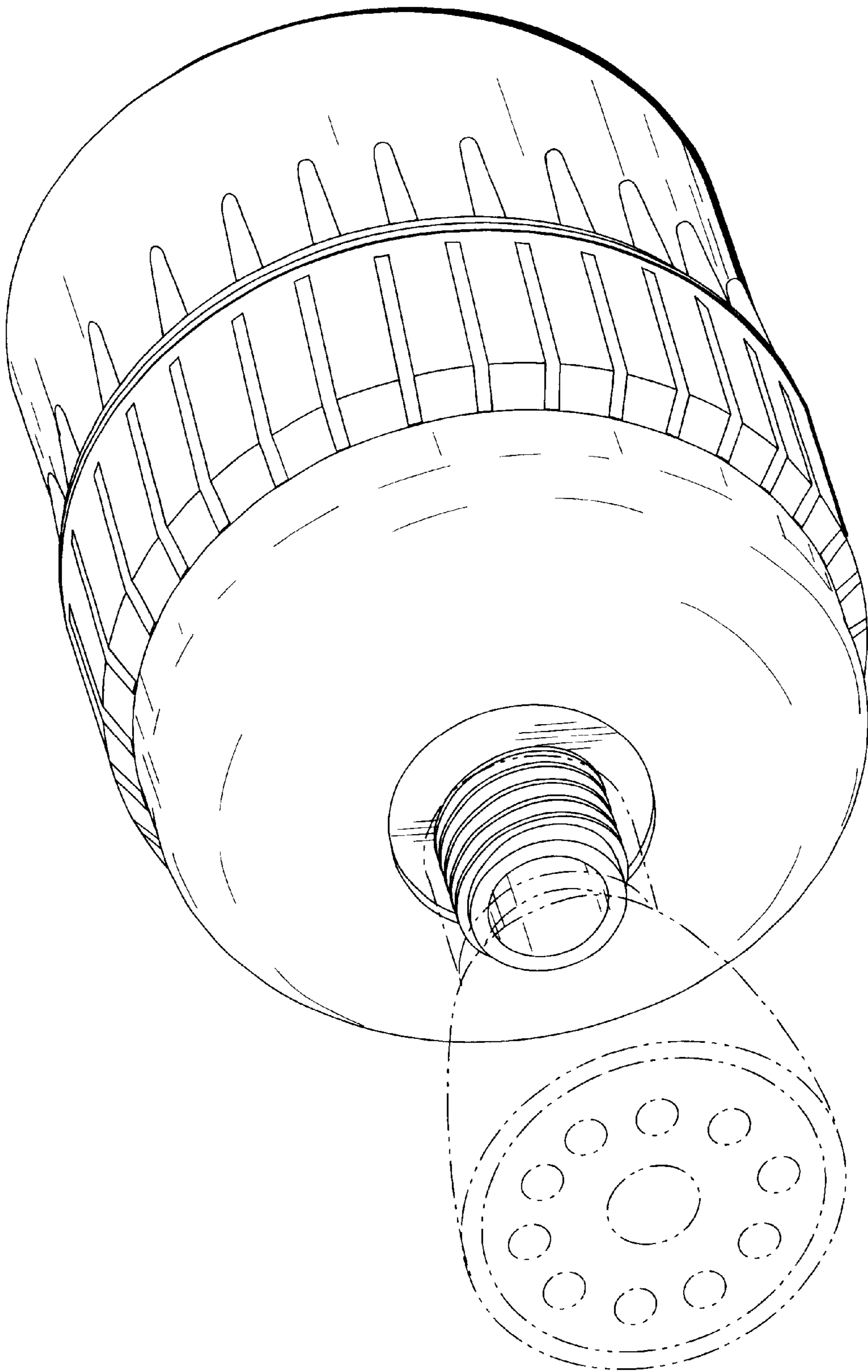


Fig. 1

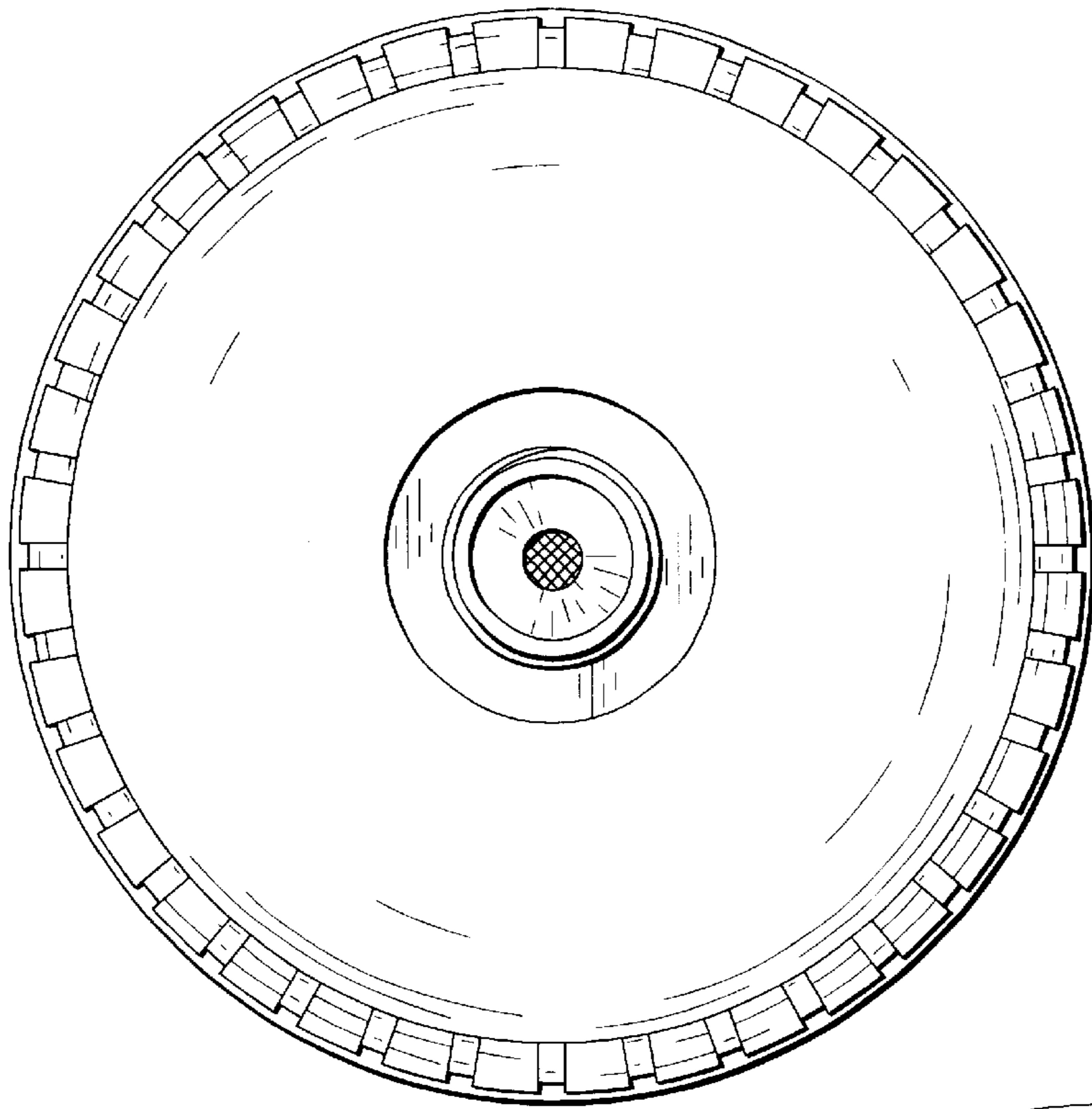


Fig. 2

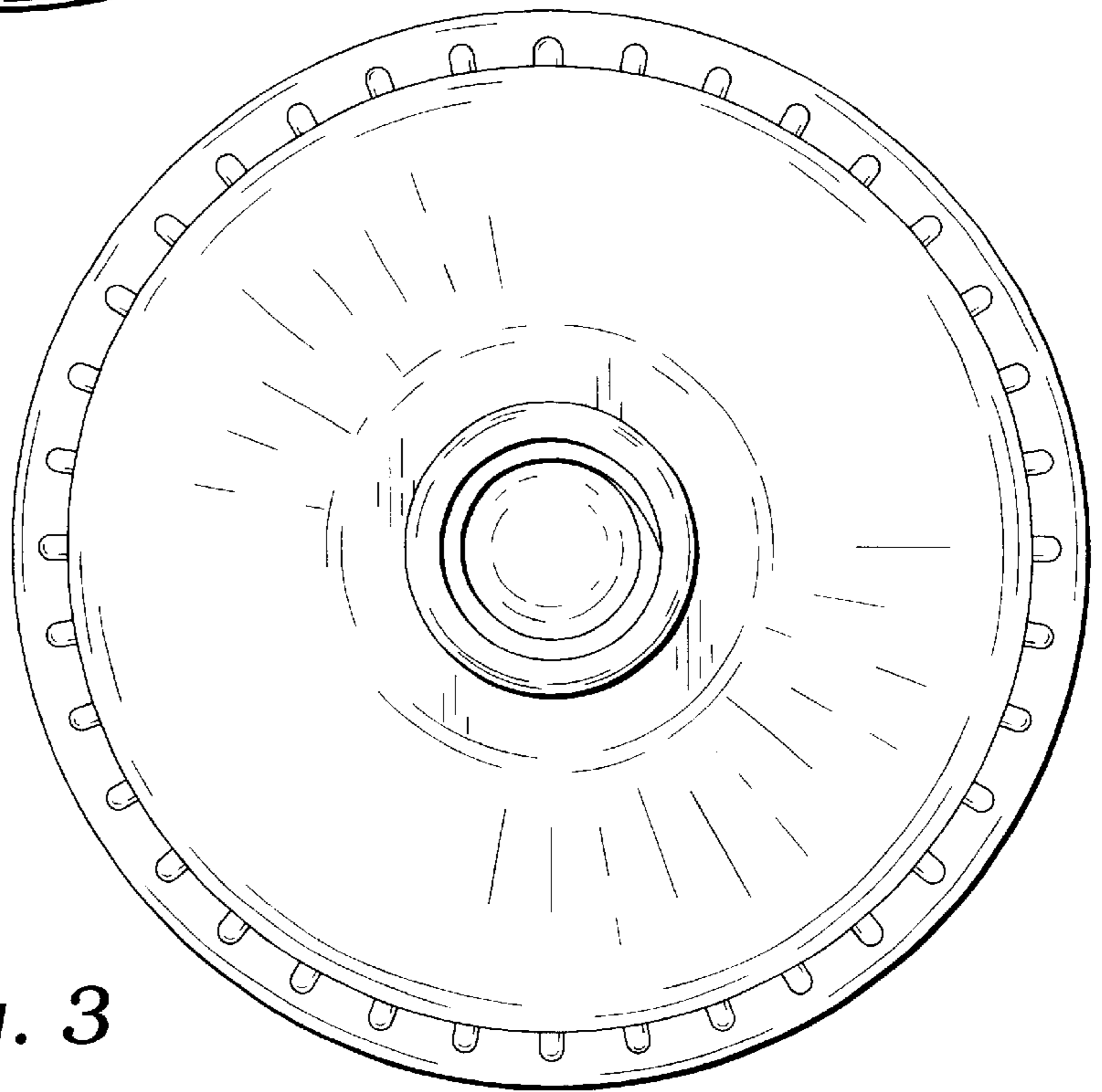


Fig. 3

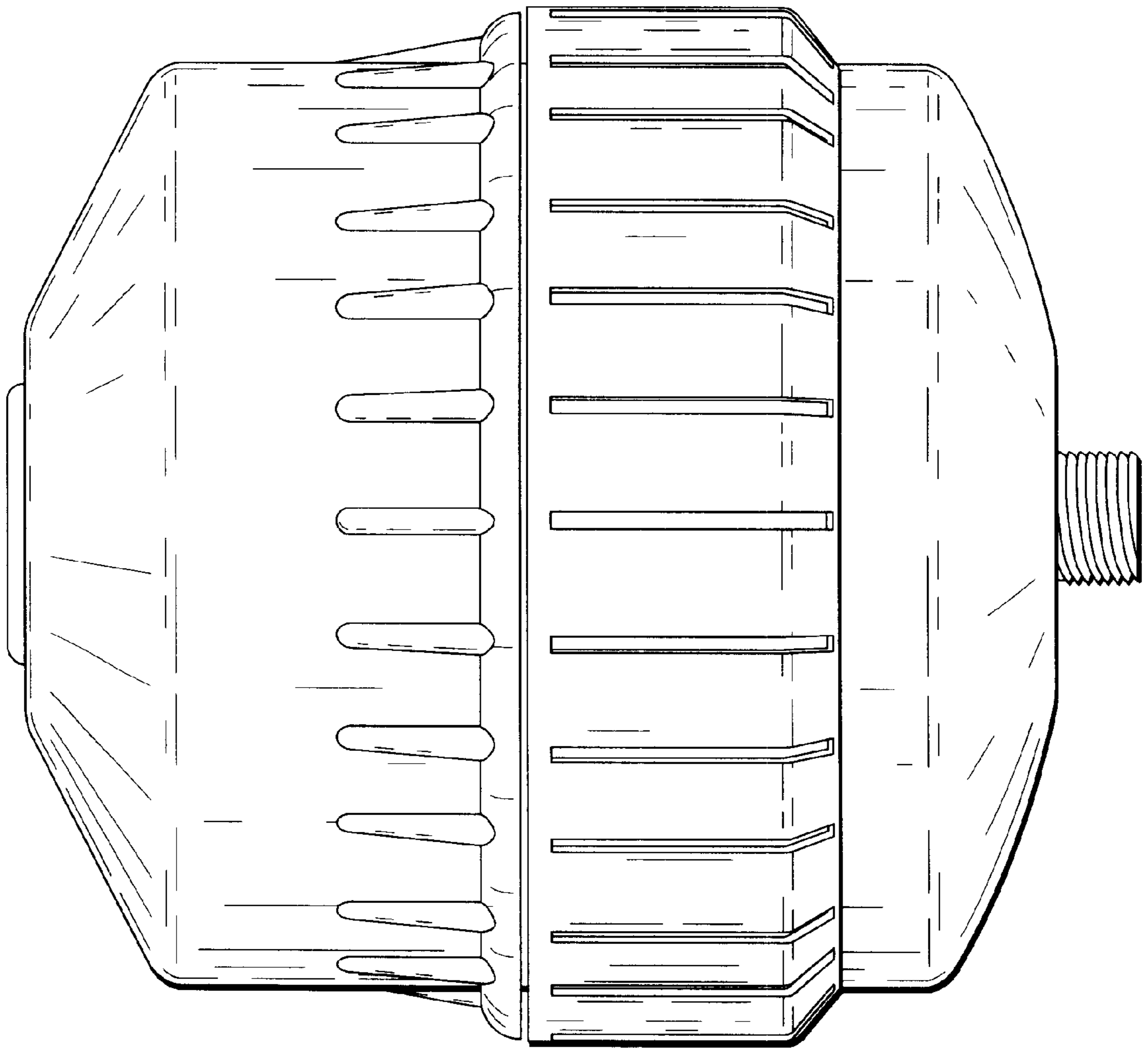


Fig. 4