



US00D462107S

(12) **United States Design Patent**
Robertson

(10) **Patent No.:** **US D462,107 S**

(45) **Date of Patent:** **** Aug. 27, 2002**

(54) **FISHING ROD SUPPORT**

6,250,480 B1 * 6/2001 McGuinness 211/70.8

(76) Inventor: **Robert K. Robertson**, 1453 E.
Arlington, Springfield, MO (US) 65803

(**) Term: **14 Years**

(21) Appl. No.: **29/149,304**

(22) Filed: **Oct. 9, 2001**

(51) **LOC (7) Cl.** **22-05**

(52) **U.S. Cl.** **D22/147**

(58) **Field of Search** D22/147; 43/21.2;
248/513, 514, 538; D25/67, 68; 211/70.8,
70.6, 60.1; D6/552; 256/13.1

(56) **References Cited**

U.S. PATENT DOCUMENTS

4,479,322 A	10/1984	Koppel	43/21.2
4,523,403 A	6/1985	Ivy et al.	43/17
4,550,520 A *	11/1985	Bogue	43/21.2
D334,811 S *	4/1993	Parks et al.	D25/67
5,533,295 A *	7/1996	Hochberger	43/21.2
5,571,227 A	11/1996	Pisarek	43/21.2
5,873,192 A	2/1999	Chiu	43/54.1
5,913,673 A	6/1999	Womac	43/54.1
6,047,491 A	4/2000	De Busk	43/21.2
6,128,848 A *	10/2000	Wong	43/21.2
6,237,895 B1 *	5/2001	Thurston	256/13.1

OTHER PUBLICATIONS

Bass Pro Shops, Rod Racks, p. 93, 1996.*

* cited by examiner

Primary Examiner—Catherine R. Oliver

(74) *Attorney, Agent, or Firm*—John M. Harrison

(57) **CLAIM**

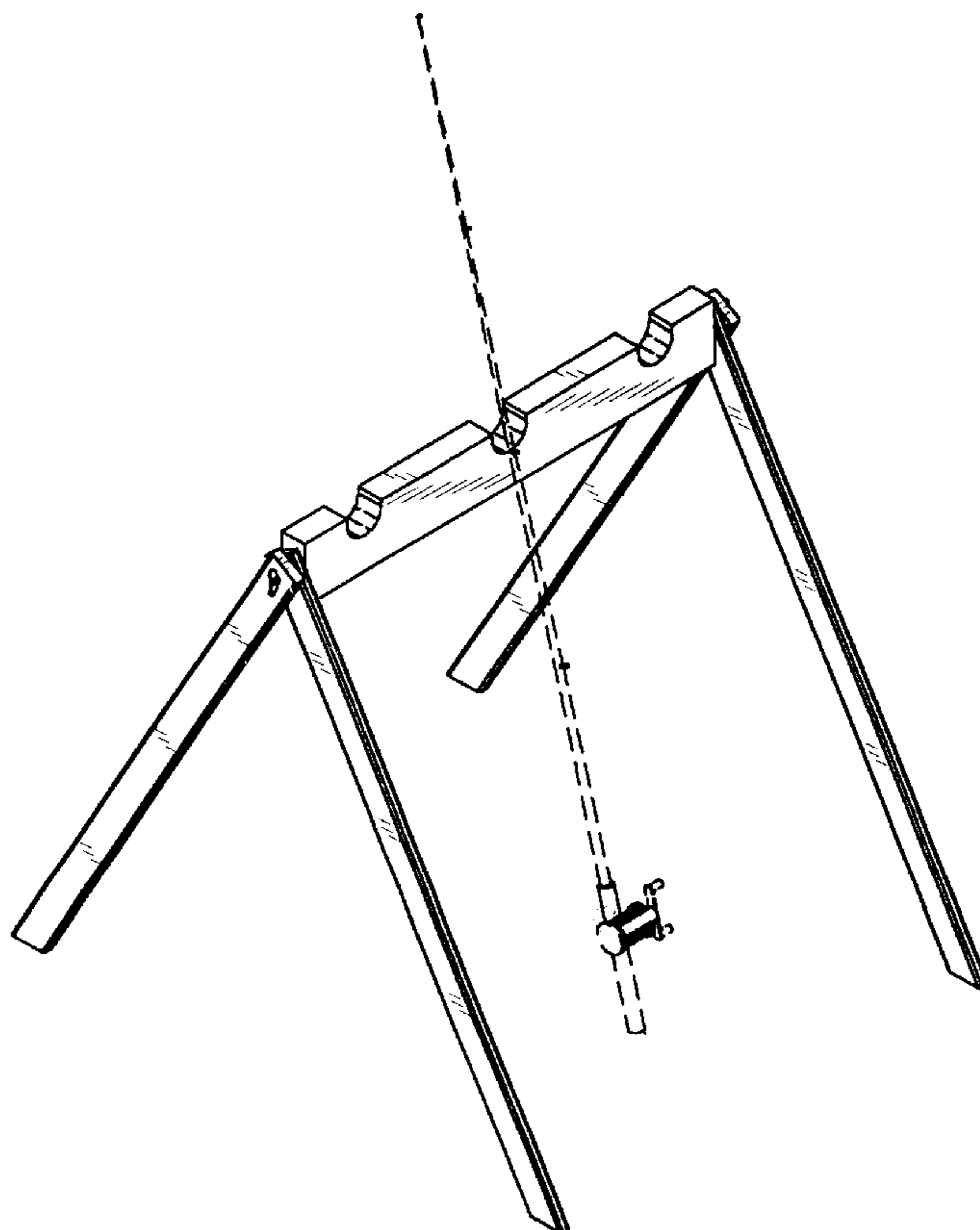
The ornamental design for a “fishing rod support”, as shown and described.

DESCRIPTION

FIG. 1 is a front view of the fishing rod support, showing my new design with a fishing rod illustrated in broken lines; FIG. 2 is a top plan view of the fishing rod support; FIG. 3 is a right side elevational view thereof; FIG. 4 is a left-side elevational view thereof; FIG. 5 is a rear elevational view thereof; FIG. 6 is a bottom plan view thereof; and, FIG. 7 is a perspective view of the fishing rod support illustrated in FIGS. 1–6.

The broken line showing of a fishing rod in FIGS. 1 and 7 is for illustrative purposes only and forms no part of the claimed design.

1 Claim, 3 Drawing Sheets



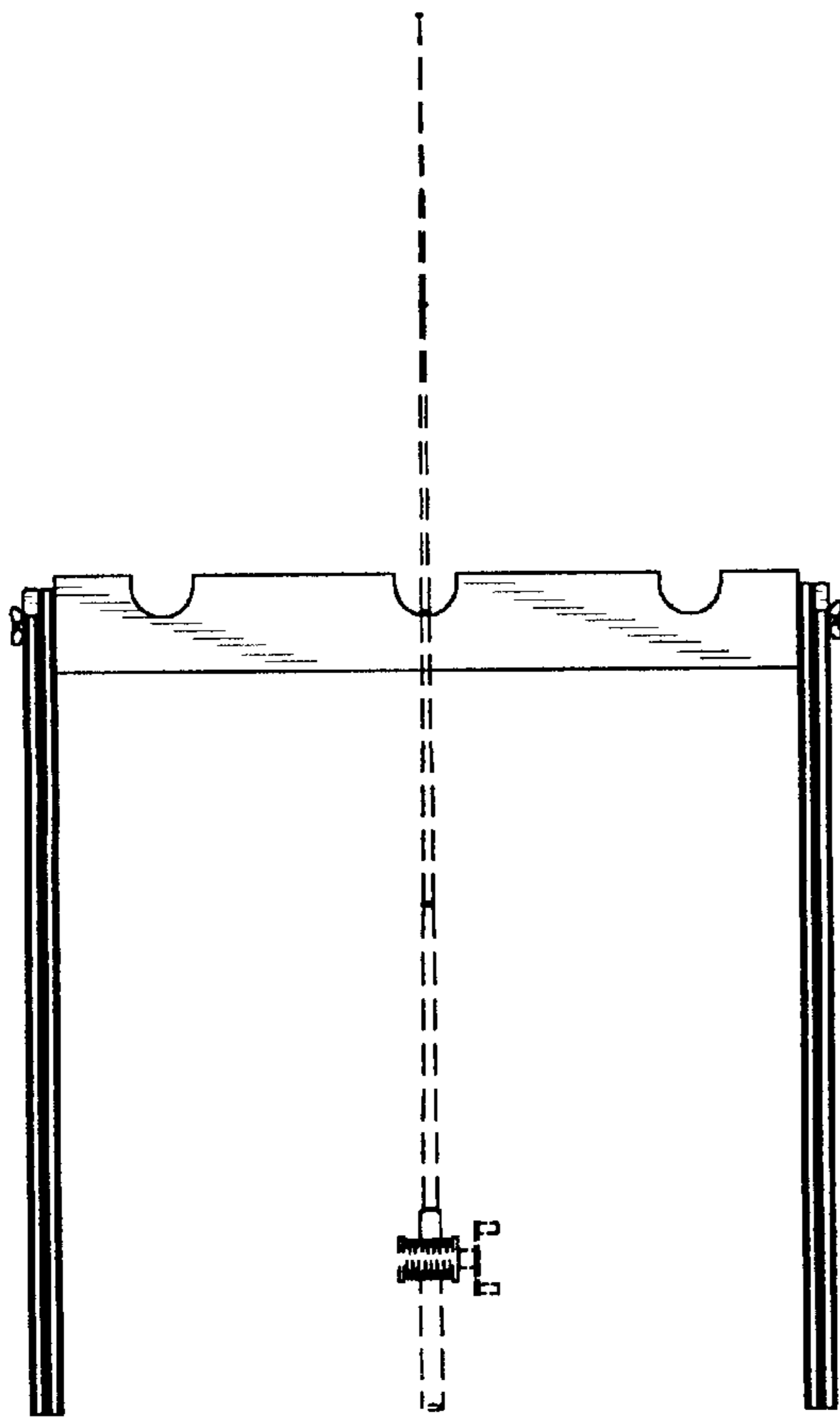


FIG. 1

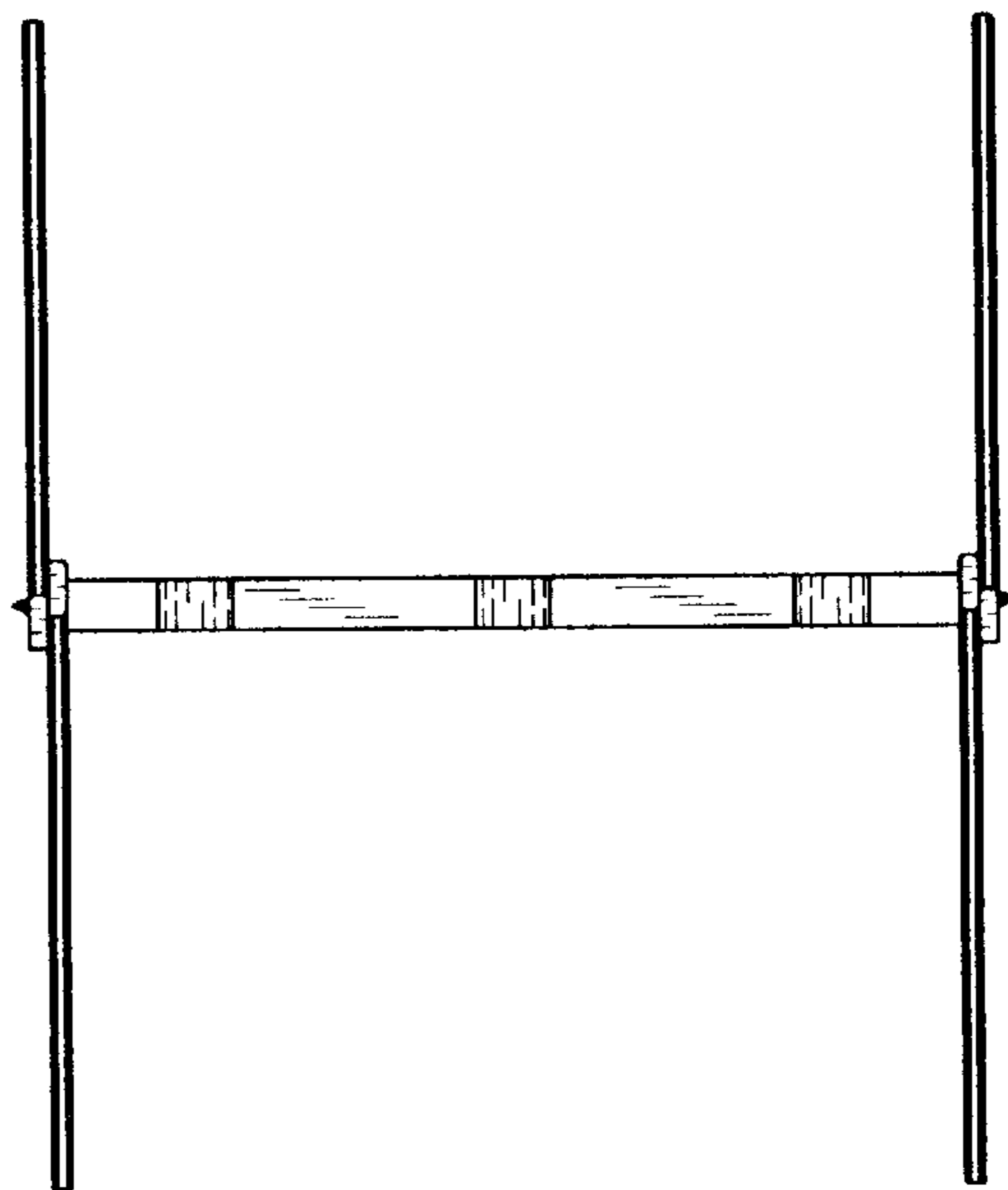


FIG. 2

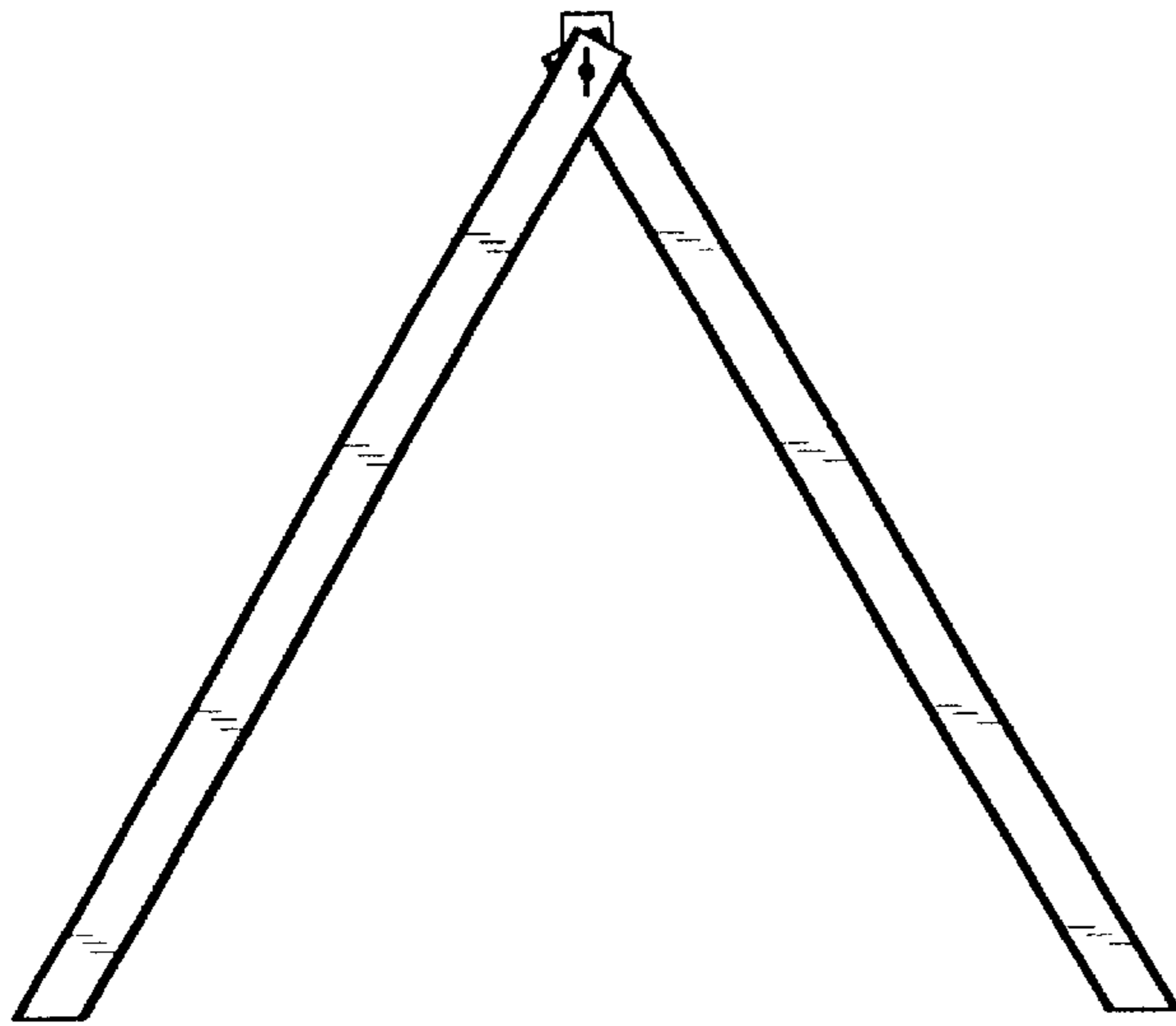


FIG. 3

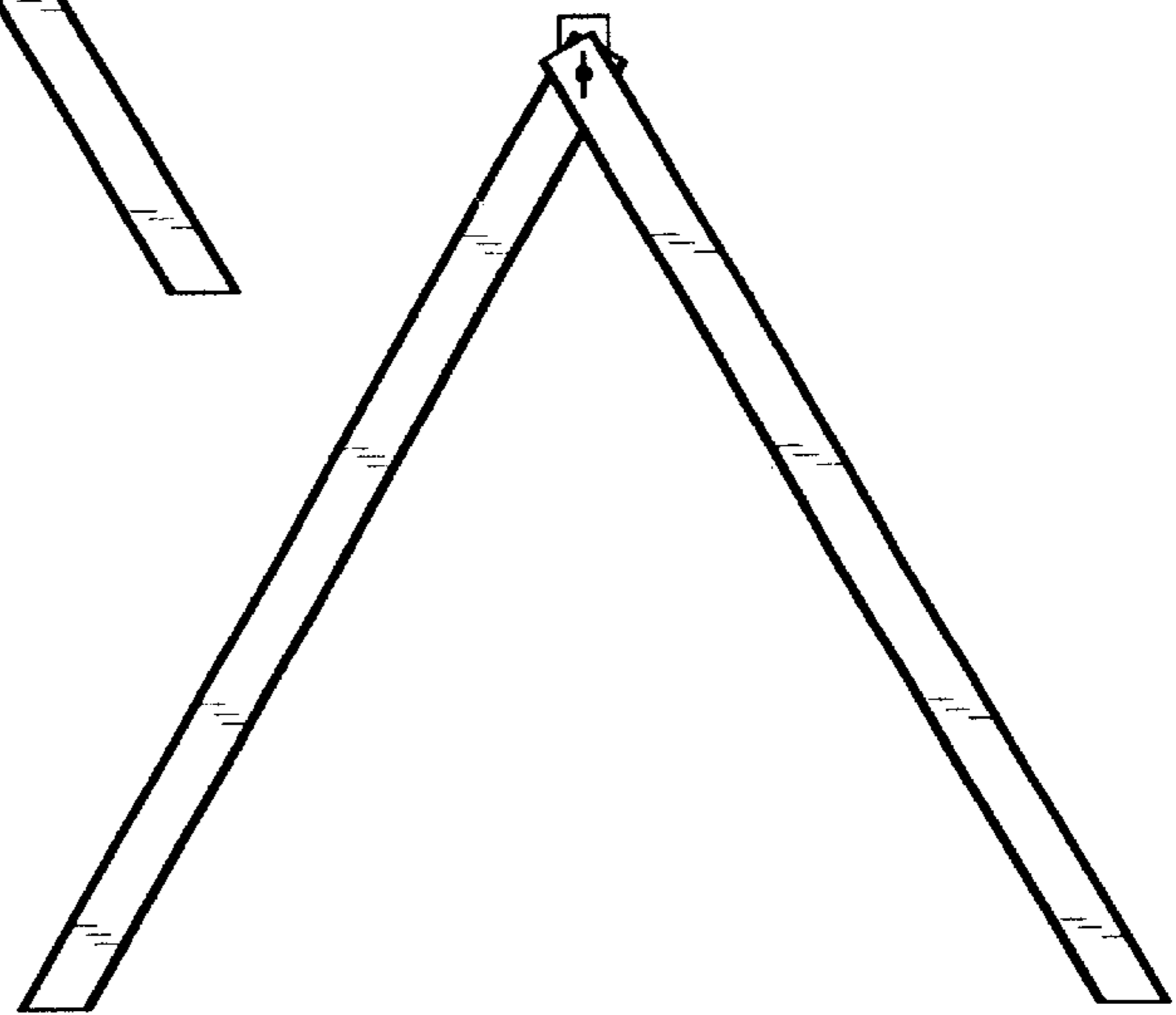


FIG. 4

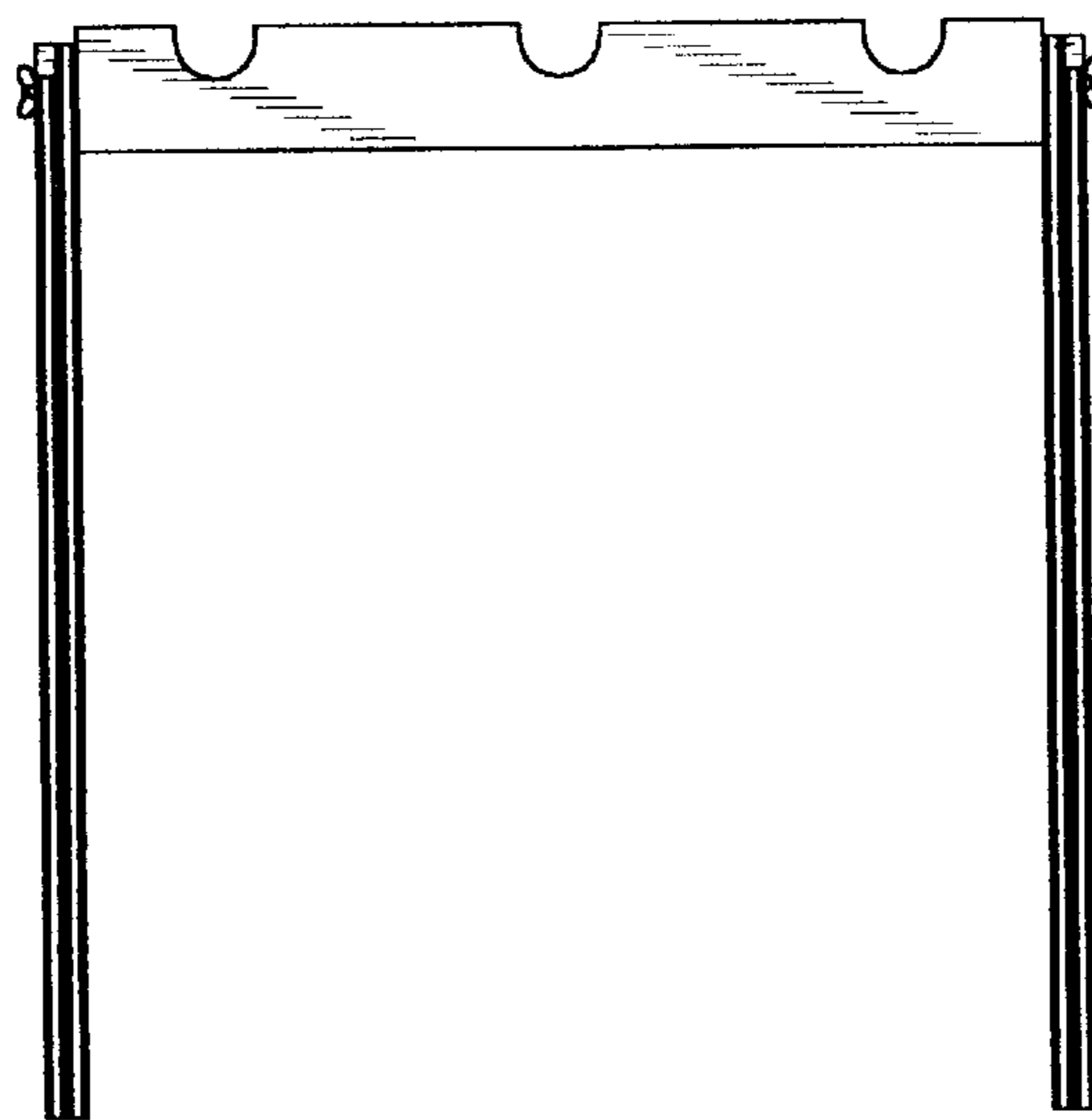


FIG. 5

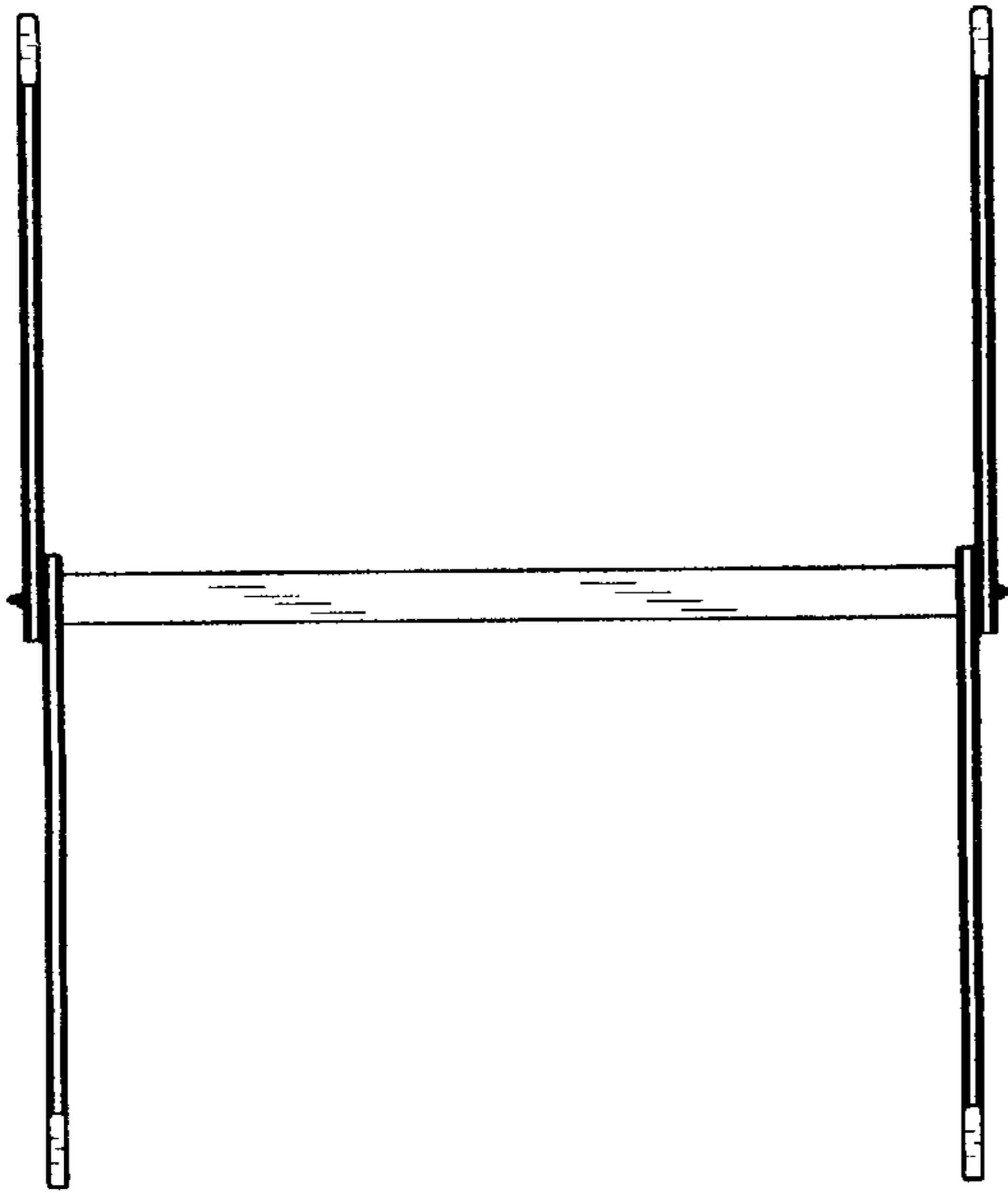


FIG. 6

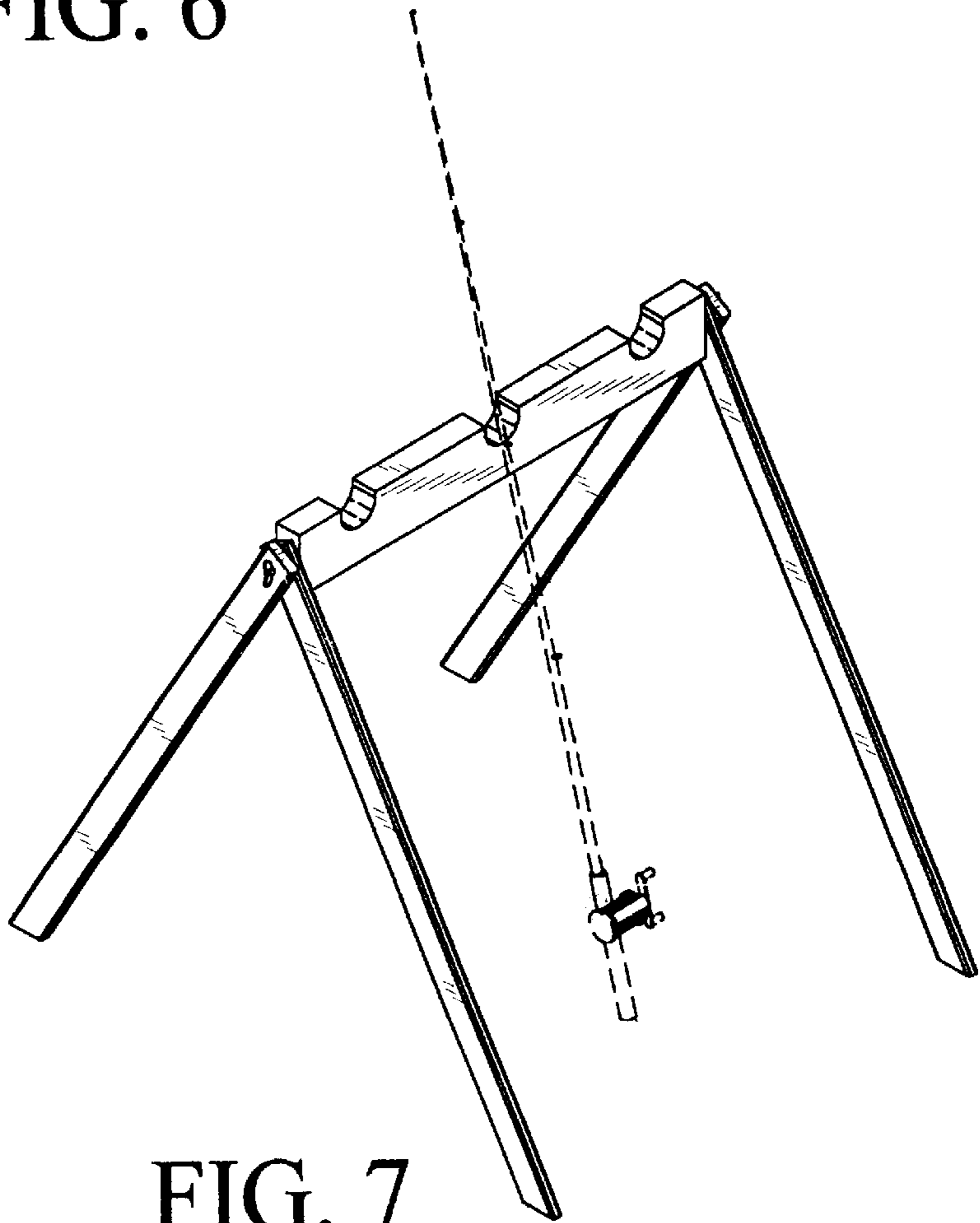


FIG. 7