



US00D462106S

(12) **United States Design Patent**
King et al.

(10) **Patent No.:** **US D462,106 S**

(45) **Date of Patent:** **** Aug. 27, 2002**

(54) **TUBULAR FISHING TOOL**

D314,606 S * 2/1991 Banta D22/149
5,857,881 A * 1/1999 Zippel, Sr. 43/25 X
6,038,807 A * 3/2000 Taylor 43/17.2

(75) Inventors: **Rodney Leo King**, Denver; **Ian Cornel Balota**, Golden; **Darin James Aldrich**, Westminster, all of CO (US)

* cited by examiner

(73) Assignee: **Fishpond, LLC**, Silverthorne, CO (US)

Primary Examiner—Catherine R. Oliver

(**) Term: **14 Years**

(57) **CLAIM**

(21) Appl. No.: **29/138,705**

The ornamental design for a tubular fishing tool, as shown and described.

(22) Filed: **Mar. 20, 2001**

(51) **LOC (7) Cl.** **22-05**

(52) **U.S. Cl.** **D22/134**

(58) **Field of Search** D22/134, 149,
D22/199; 43/4, 17.2, 25, 18.1; 30/291;
441/6, 9, 8

DESCRIPTION

FIG. 1 is a perspective view of the tubular fishing tool showing our new design.

FIG. 2 is a side view.

FIG. 3 is a front view; and,

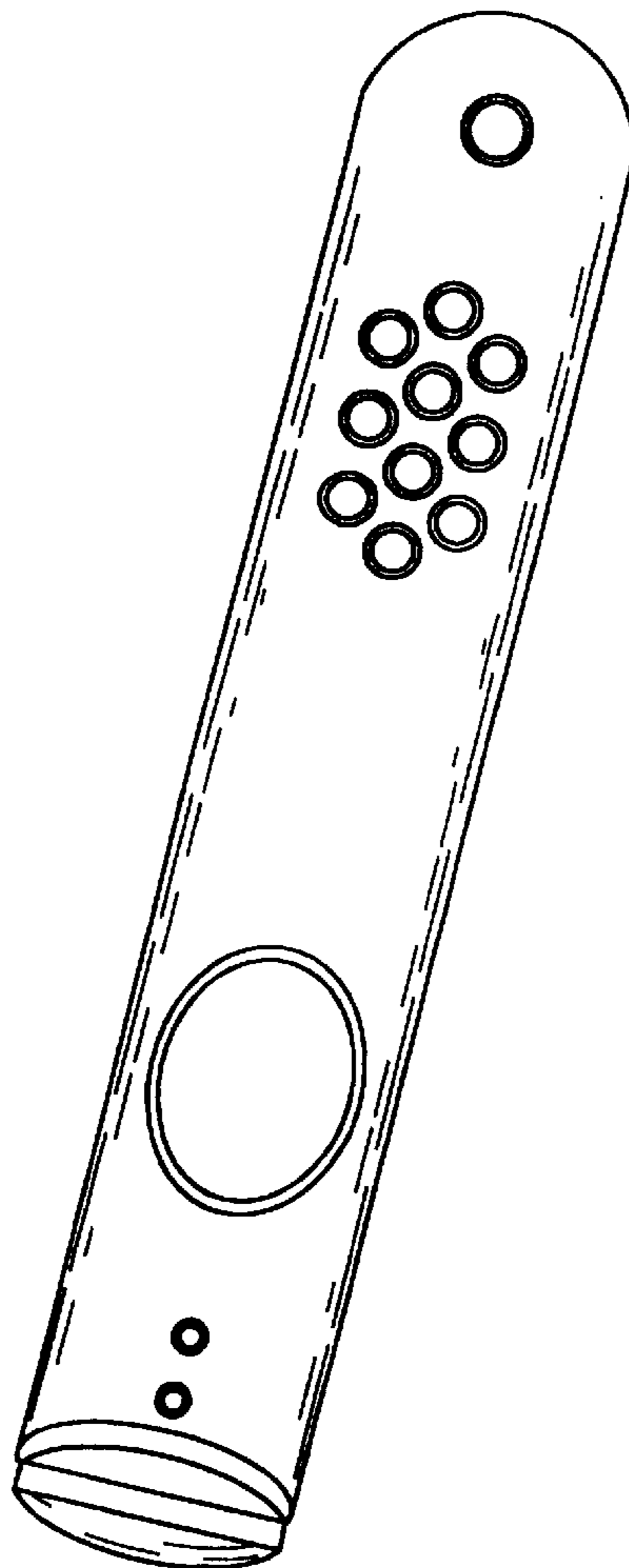
FIG. 4 is a rear view.

(56) **References Cited**

U.S. PATENT DOCUMENTS

4,823,498 A * 4/1989 Banta 43/25

1 Claim, 2 Drawing Sheets



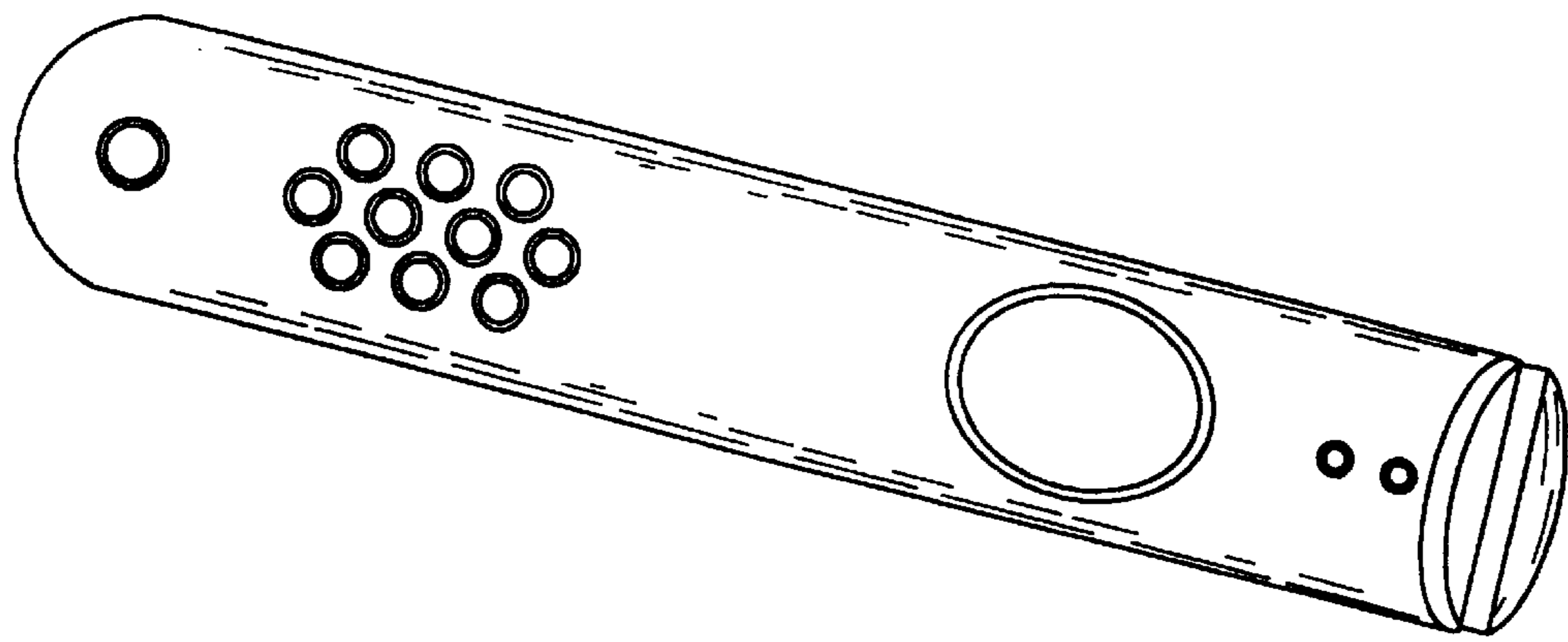


FIG.1

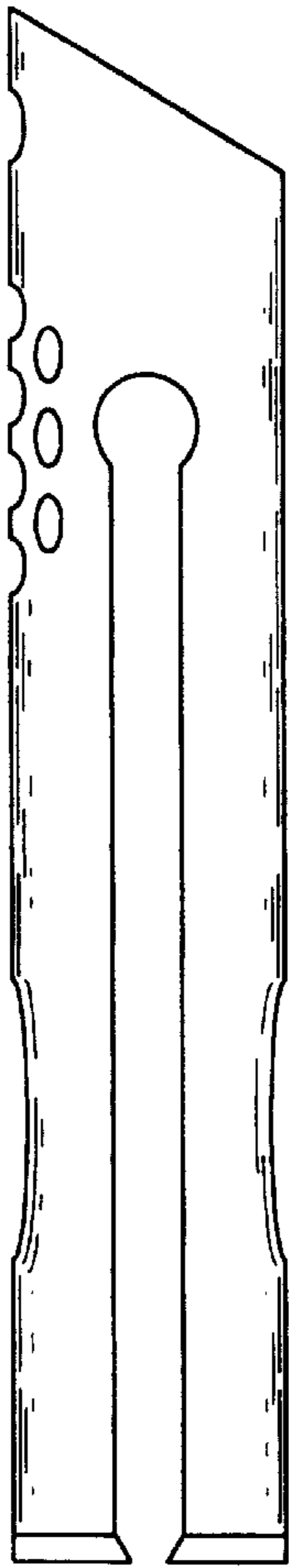


FIG. 2

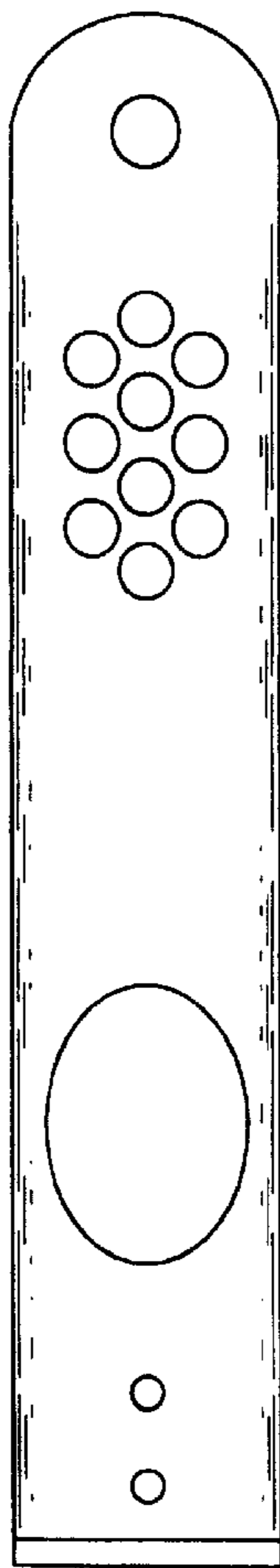


FIG. 3

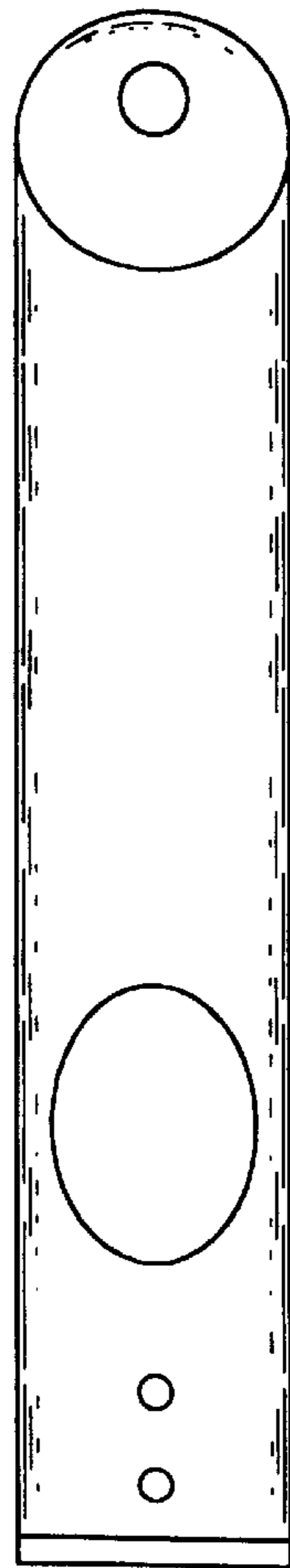


FIG. 4