

US00D462104S

(12) **United States Design Patent**
McCarthy

(10) **Patent No.:** **US D462,104 S**

(45) **Date of Patent:** **** Aug. 27, 2002**

(54) **GUN STOCK**

(76) Inventor: **Patrick M. McCarthy**, 18227 Goudy Rd., Dalton, OH (US) 44618

(**) Term: **14 Years**

(21) Appl. No.: **29/150,704**

(22) Filed: **Nov. 28, 2001**

Related U.S. Application Data

(62) Division of application No. 29/146,015, filed on Aug. 2, 2001.

(51) **LOC (7) Cl.** **22-01**

(52) **U.S. Cl.** **D22/108**

(58) **Field of Search** D22/100, 103, D22/108, 199; 42/70.11, 71.1

(56) **References Cited**

U.S. PATENT DOCUMENTS

D196,304 S * 9/1963 Hoge D22/103
D223,154 S * 3/1972 Murakami D22/103

D242,141 S * 11/1976 Sullivan D22/103

D253,485 S * 11/1979 Robinson D22/103

D262,567 S * 1/1982 Hillberg D22/103

D286,669 S * 11/1986 Ballard et al. D22/108

D454,610 S * 3/2002 McCarthy D22/108

* cited by examiner

Primary Examiner—Louis S. Zarfaz

Assistant Examiner—Monica A. Weingart

(74) *Attorney, Agent, or Firm*—Sand & Sebolt

(57) **CLAIM**

The ornamental design for a gun stock, as shown and described.

DESCRIPTION

FIG. 1 is a perspective view of the gun stock showing my new design.

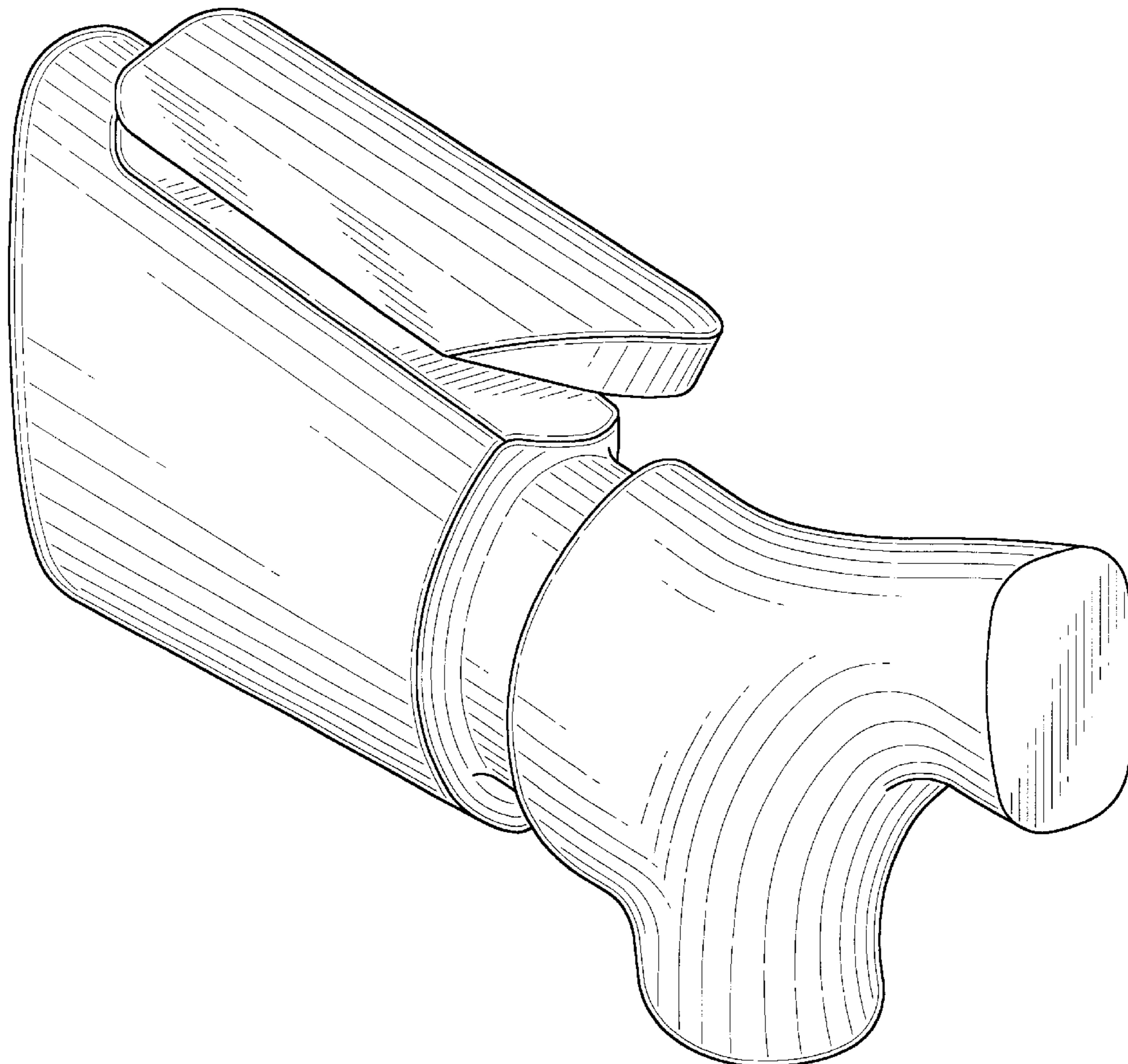
FIG. 2 is a front elevation view of the gun stock of FIG. 1.

FIG. 3 is a rear elevation view of FIG. 2.

FIG. 4 is a top plan view of FIG. 2; and,

FIG. 5 is a bottom plan view of FIG. 2.

1 Claim, 3 Drawing Sheets



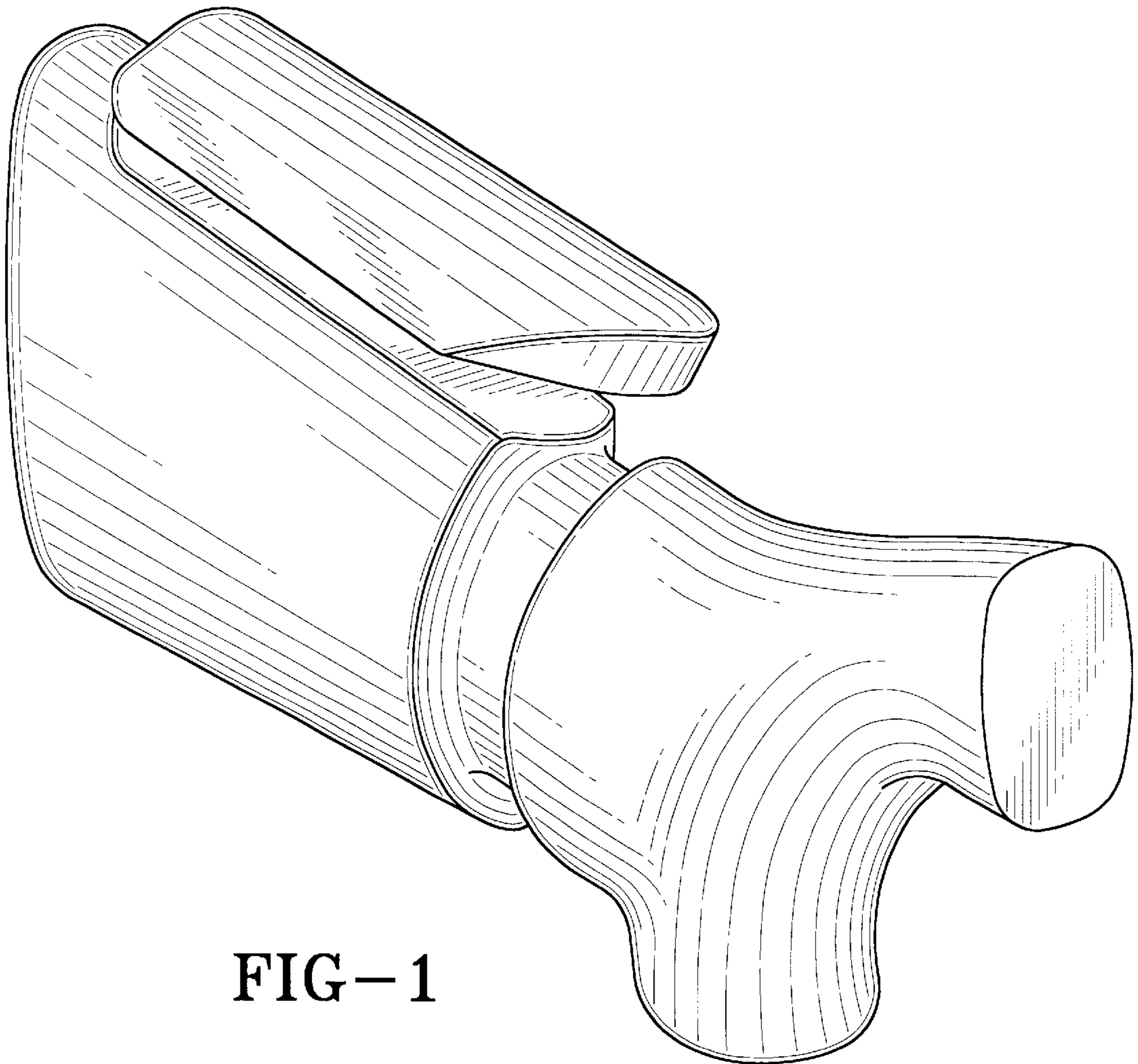


FIG-1

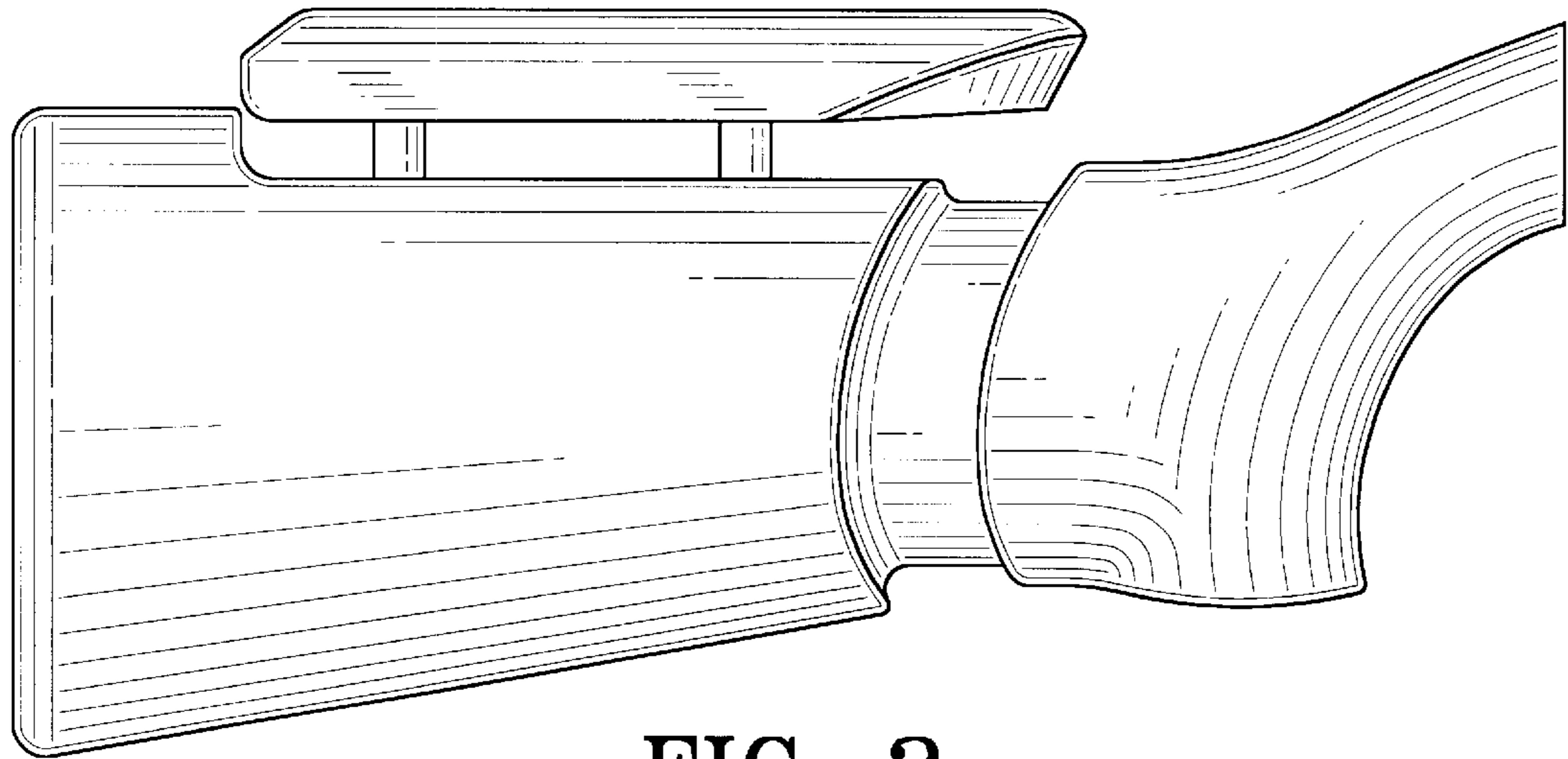


FIG-2

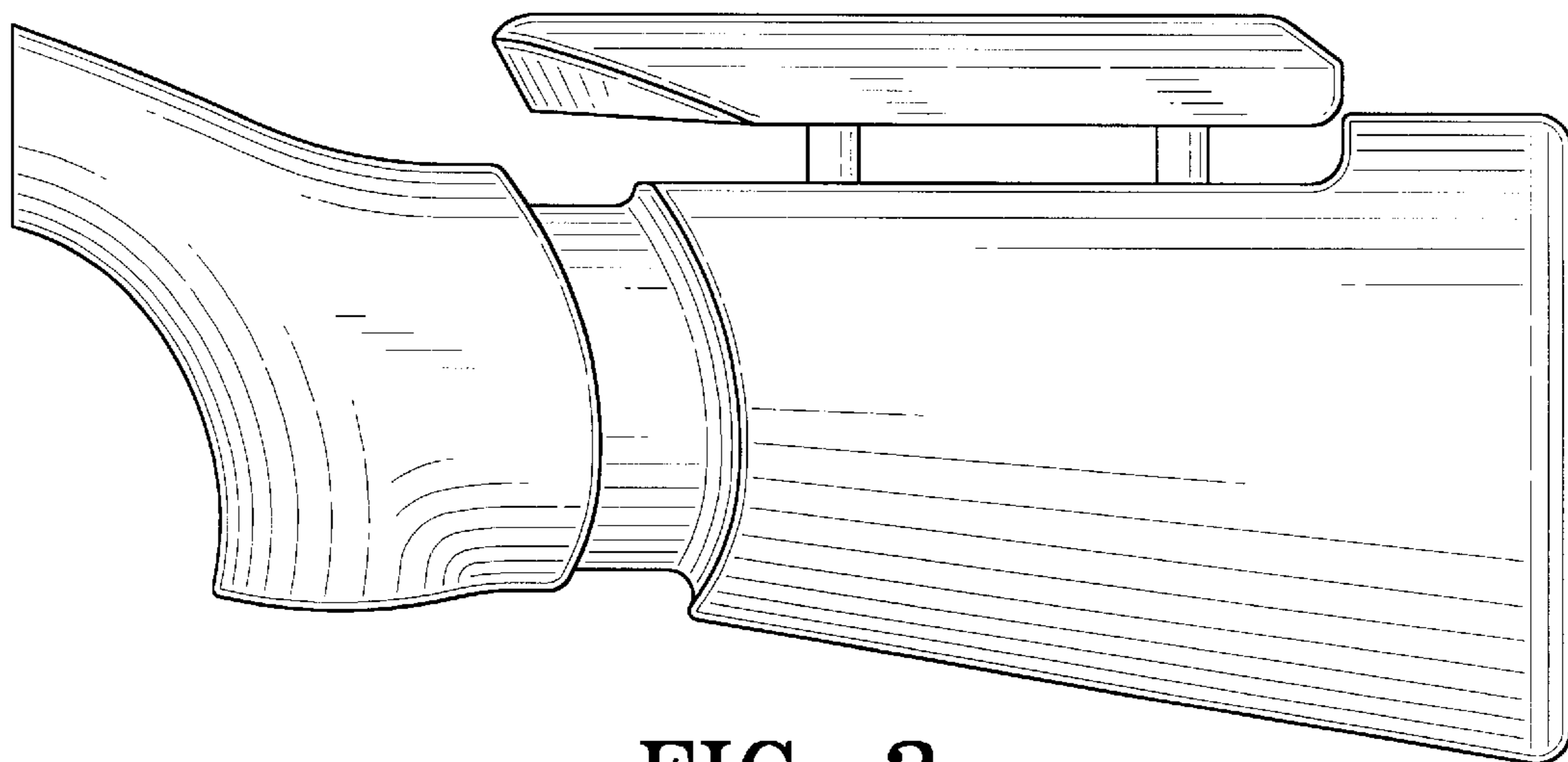


FIG-3

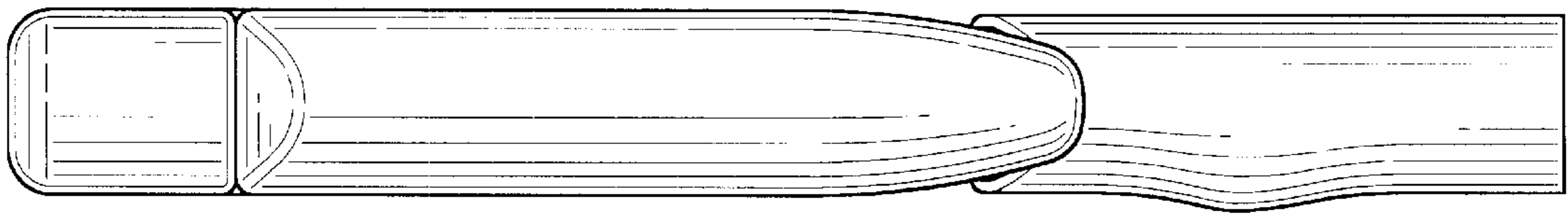


FIG-4

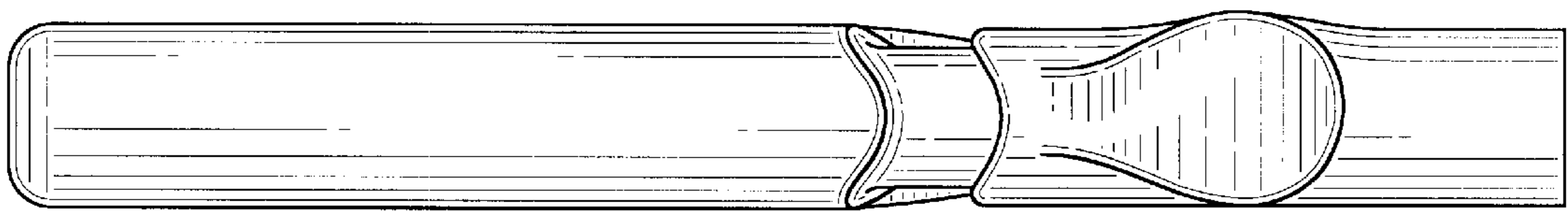


FIG-5