



US00D462099S

(12) **United States Design Patent**
Chen

(10) **Patent No.:** **US D462,099 S**

(45) **Date of Patent:** **** Aug. 27, 2002**

(54) **EXERCISER**

(76) Inventor: **Chih-Liang Chen**, No. 10, Lane 1431,
Kuanghsing Rd., Pateh City, Taoyuan
Hsien (TW)

(**) Term: **14 Years**

(21) Appl. No.: **29/146,101**

(22) Filed: **Aug. 6, 2001**

(51) **LOC (7) Cl.** **21-02**

(52) **U.S. Cl.** **D21/663**

(58) **Field of Search** D21/662, 663,
D21/665, 666, 667, 668; 482/51, 57, 59,
58, 60, 61, 64

(56) **References Cited**

U.S. PATENT DOCUMENTS

- D281,710 S * 12/1985 Kirby D21/663
- D372,283 S * 7/1996 Chen D21/663
- D373,395 S * 9/1996 Chen D21/663

- 5,647,822 A * 7/1997 Avganim 482/57
- D393,890 S * 4/1998 Biliouris D21/663
- 5,833,583 A * 11/1998 Chuang 482/57
- D408,460 S * 4/1999 Garcia et al. D21/671

* cited by examiner

Primary Examiner—Philip S. Hyder

(74) *Attorney, Agent, or Firm*—Rosenberg, Klein & Lee

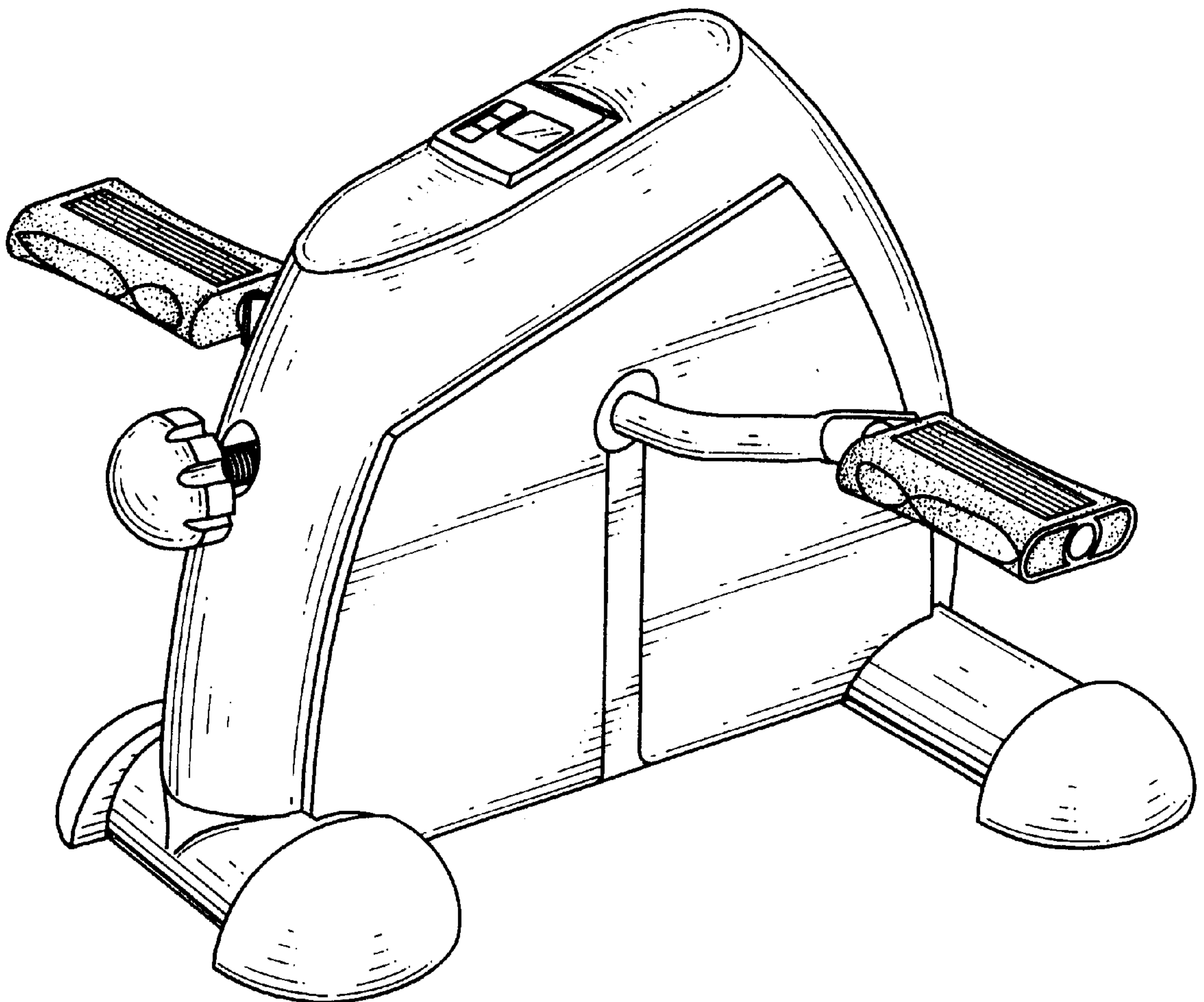
(57) **CLAIM**

The ornamental design for an exerciser, as shown.

DESCRIPTION

FIG. 1 is a front-right-bottom perspective view of an exerciser, showing my new design;
 FIG. 2 is a front elevational view thereof;
 FIG. 3 is a rear elevational view thereof;
 FIG. 4 is a left elevational view thereof;
 FIG. 5 is a right elevational view thereof;
 FIG. 6 is a top plan view thereof; and,
 FIG. 7 is a bottom plan view thereof.

1 Claim, 4 Drawing Sheets



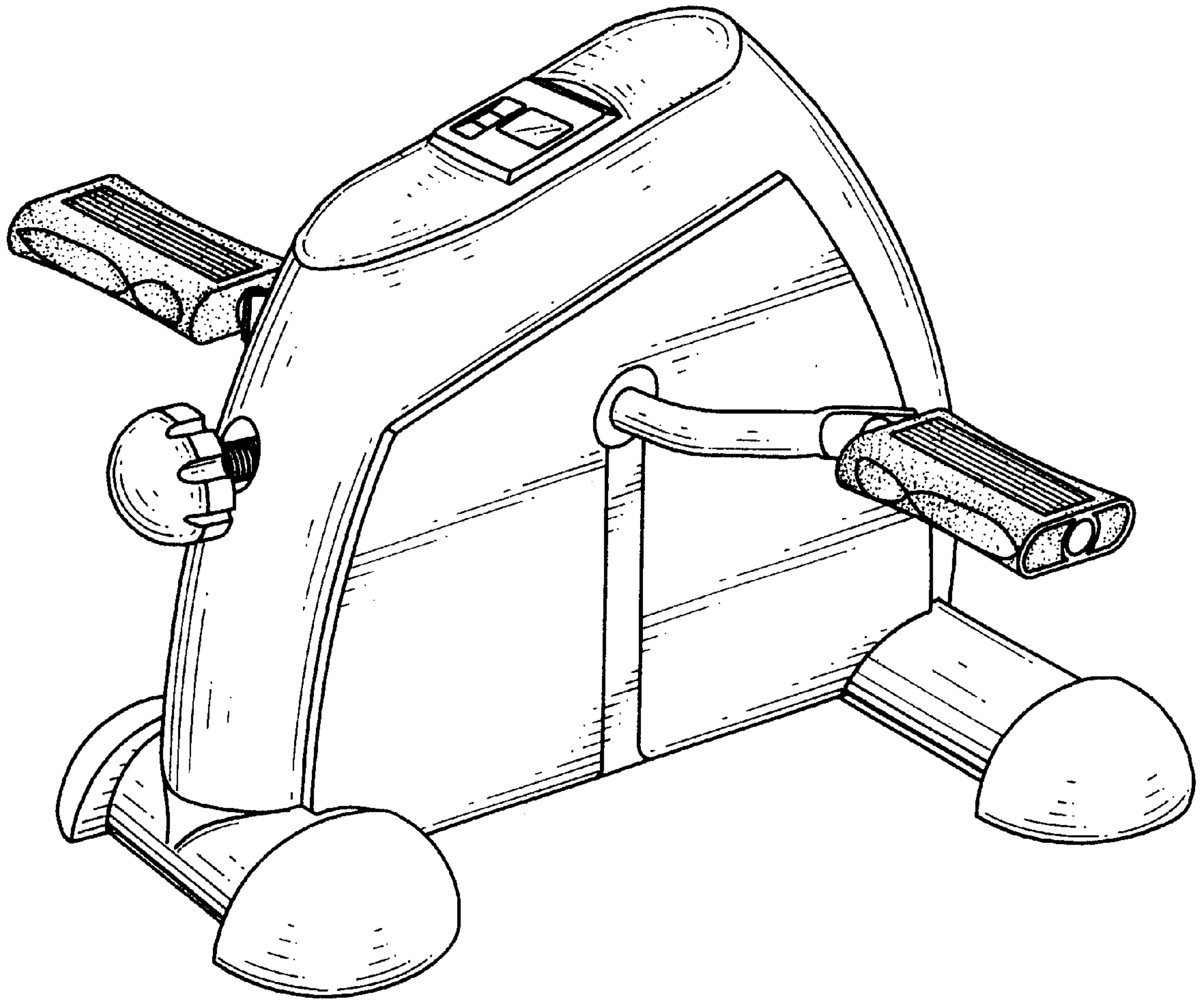


FIG.1

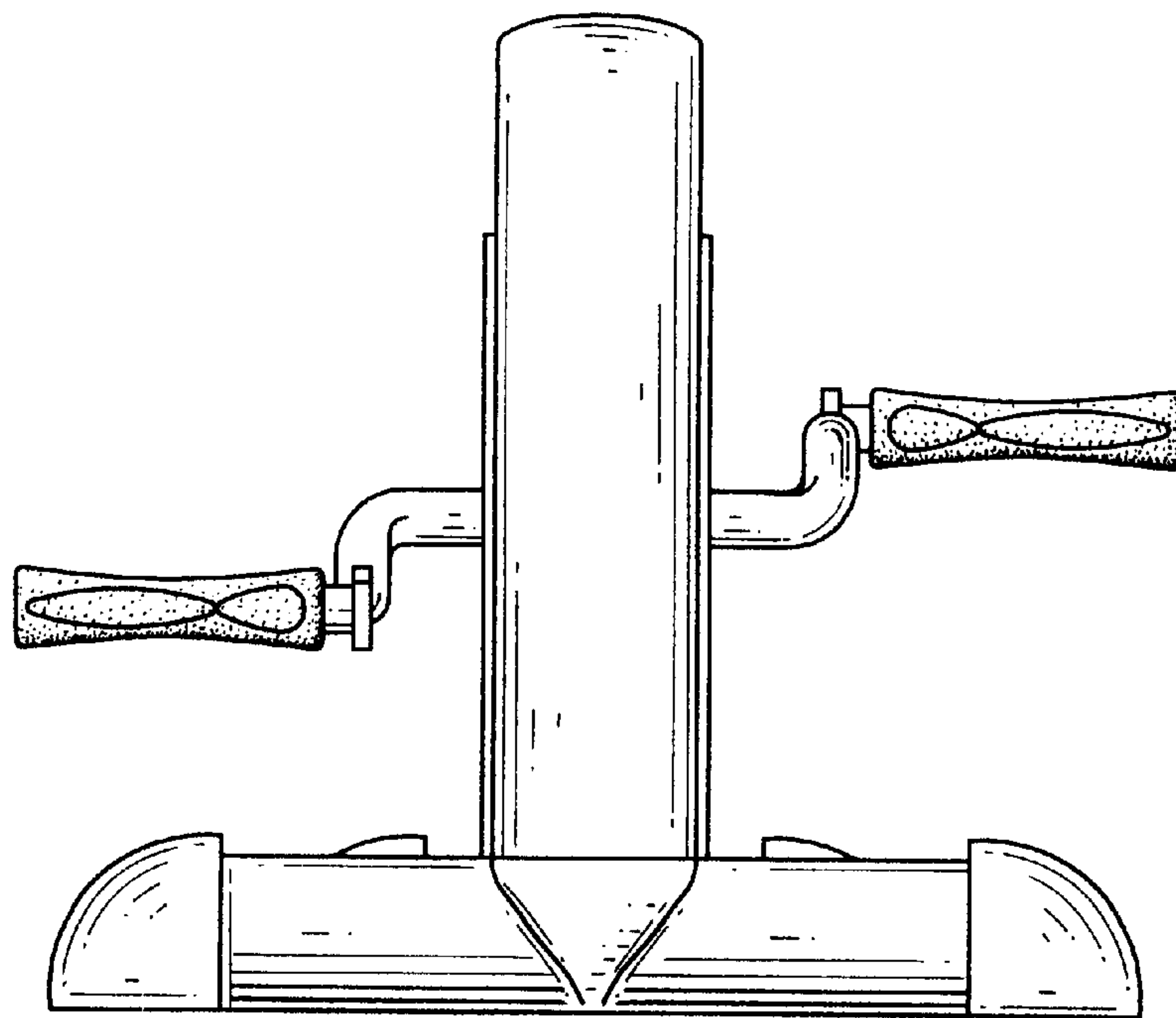


FIG.3

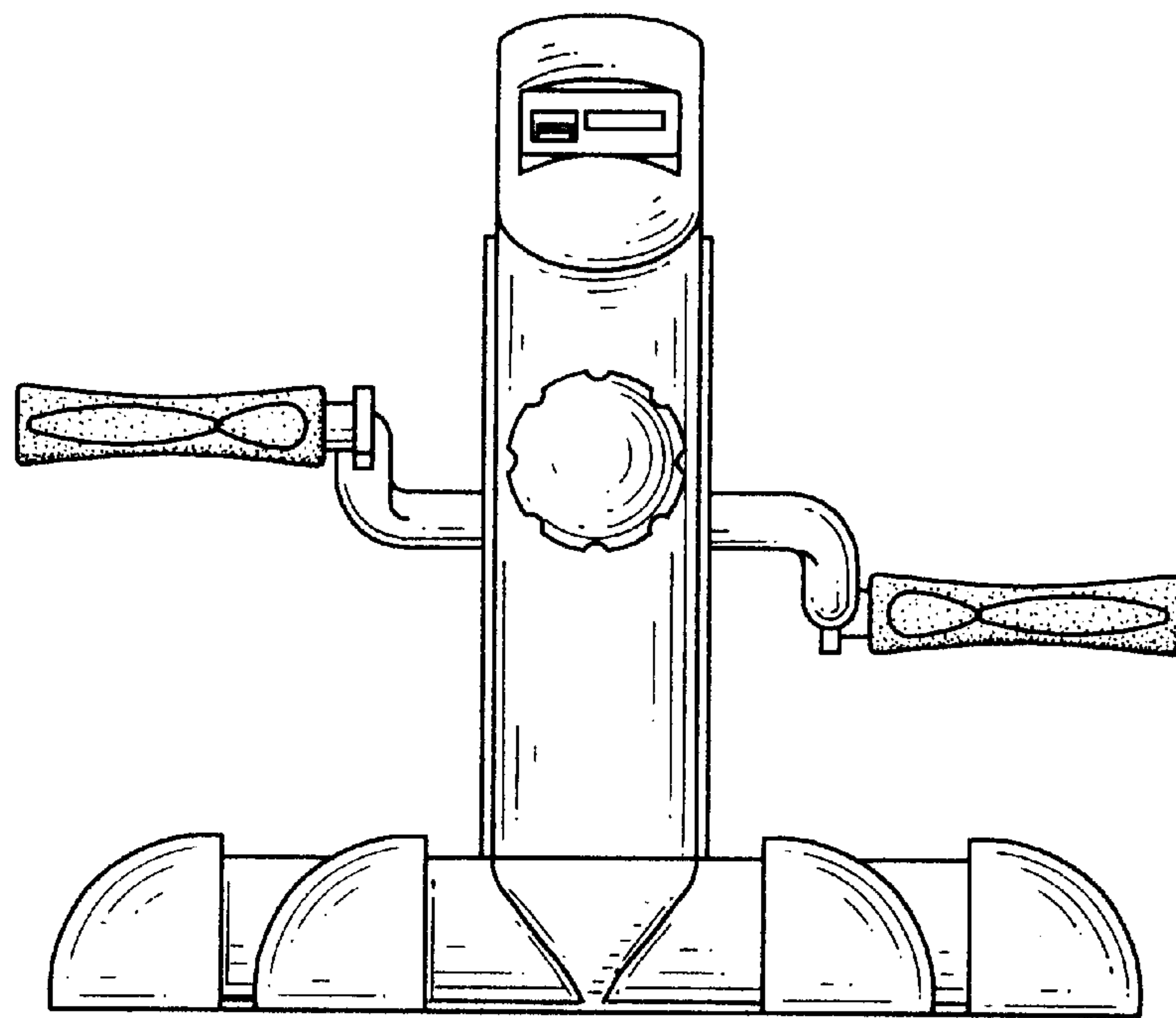


FIG.2

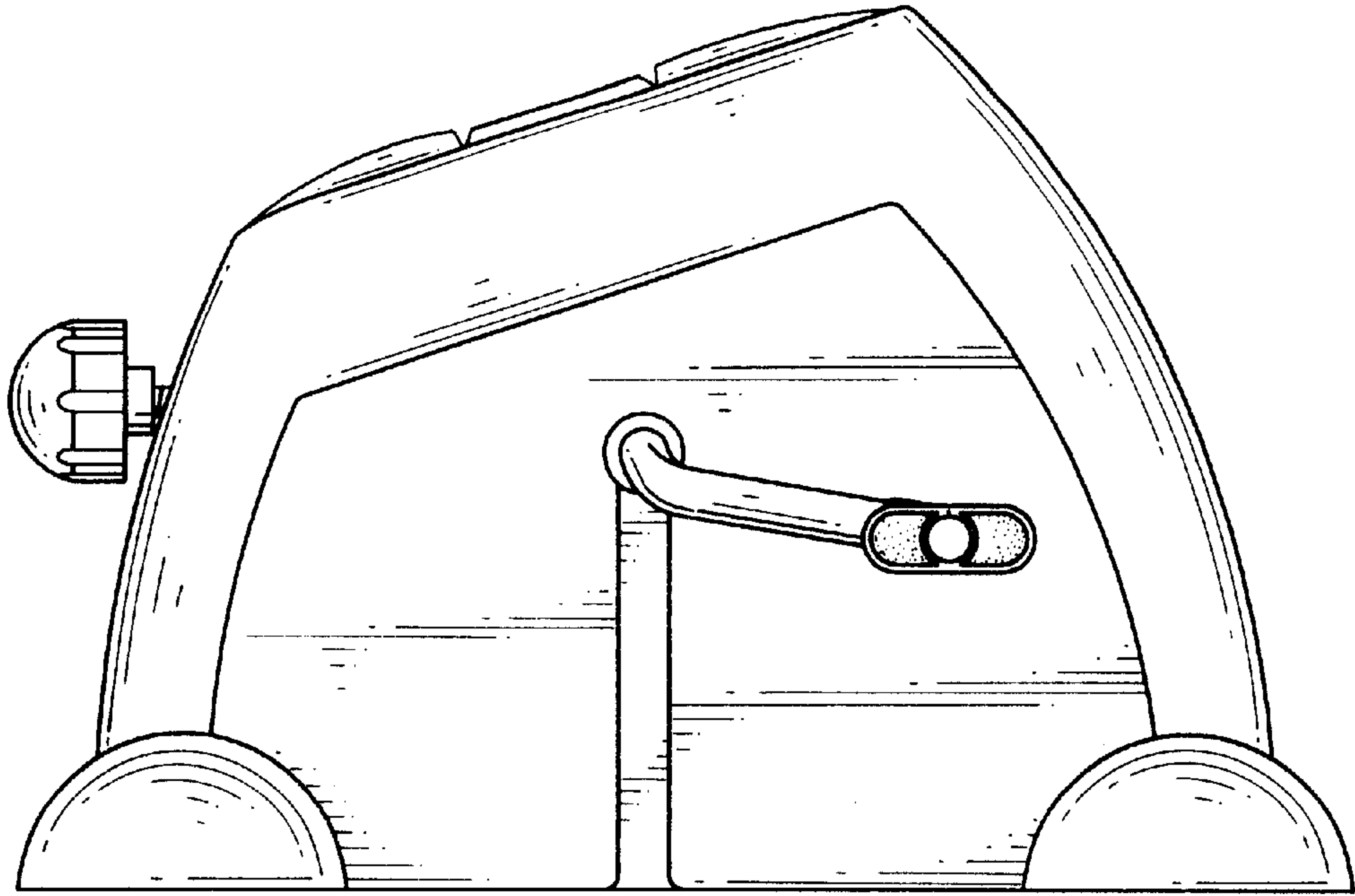


FIG.5

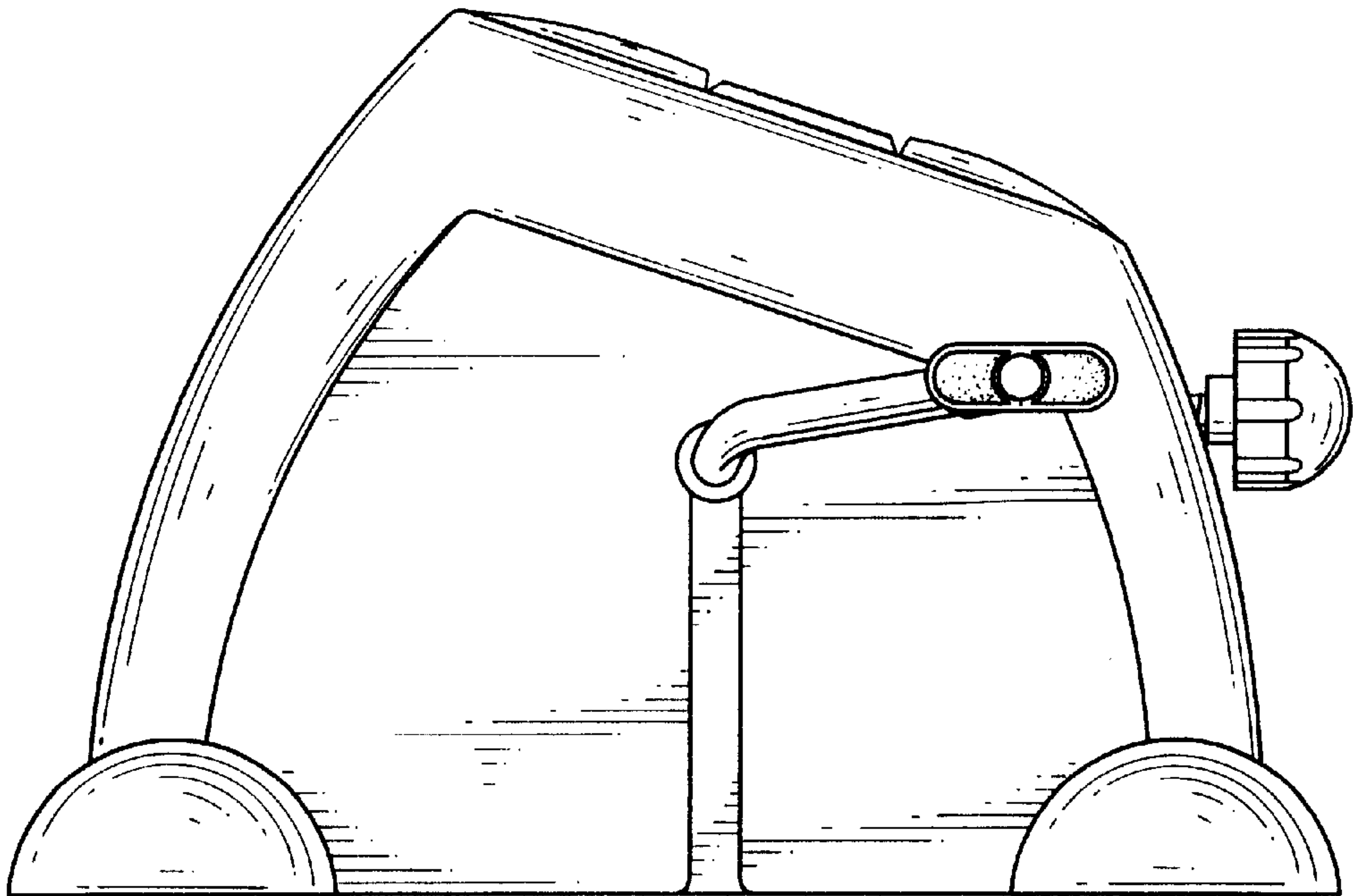


FIG.4

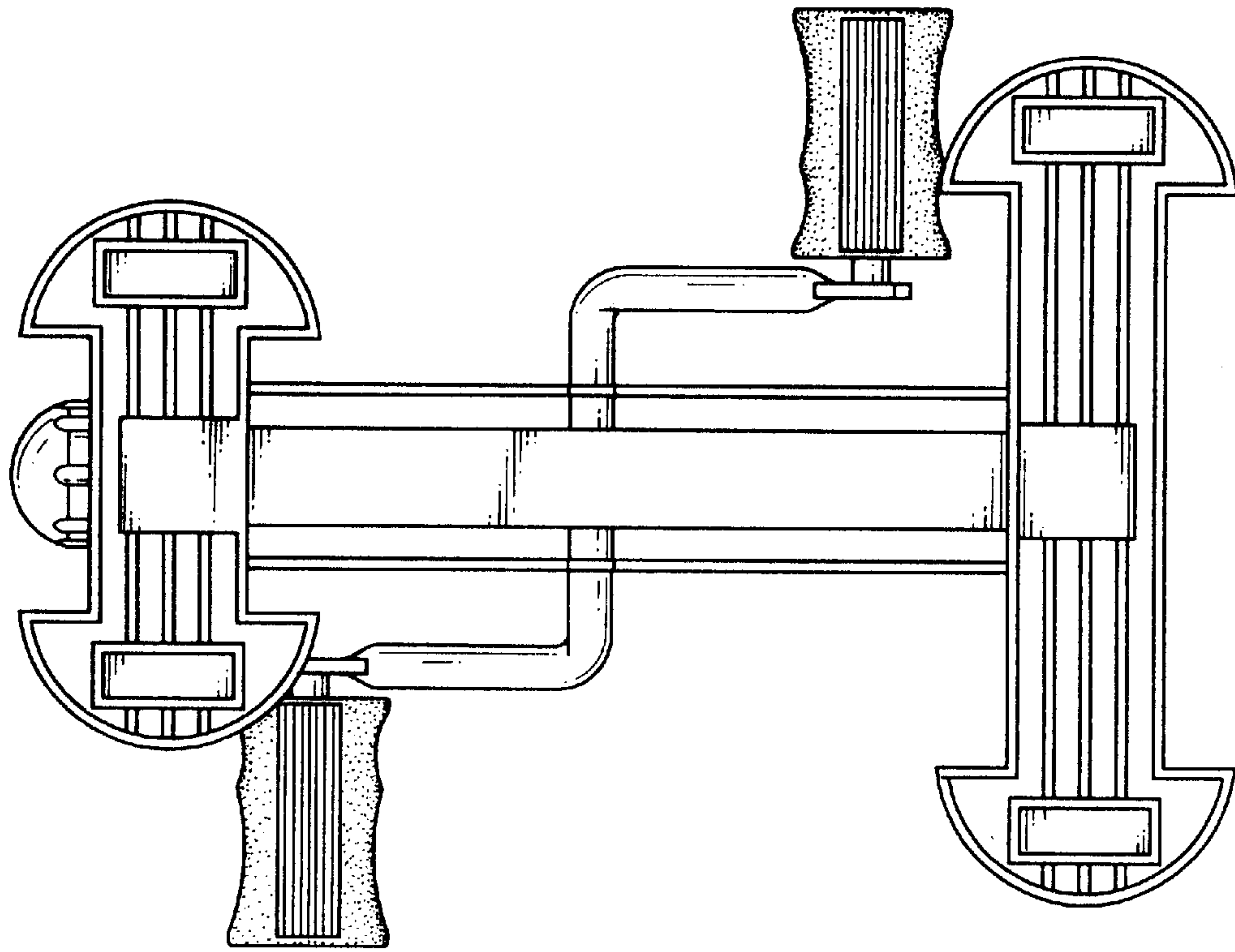


FIG. 7

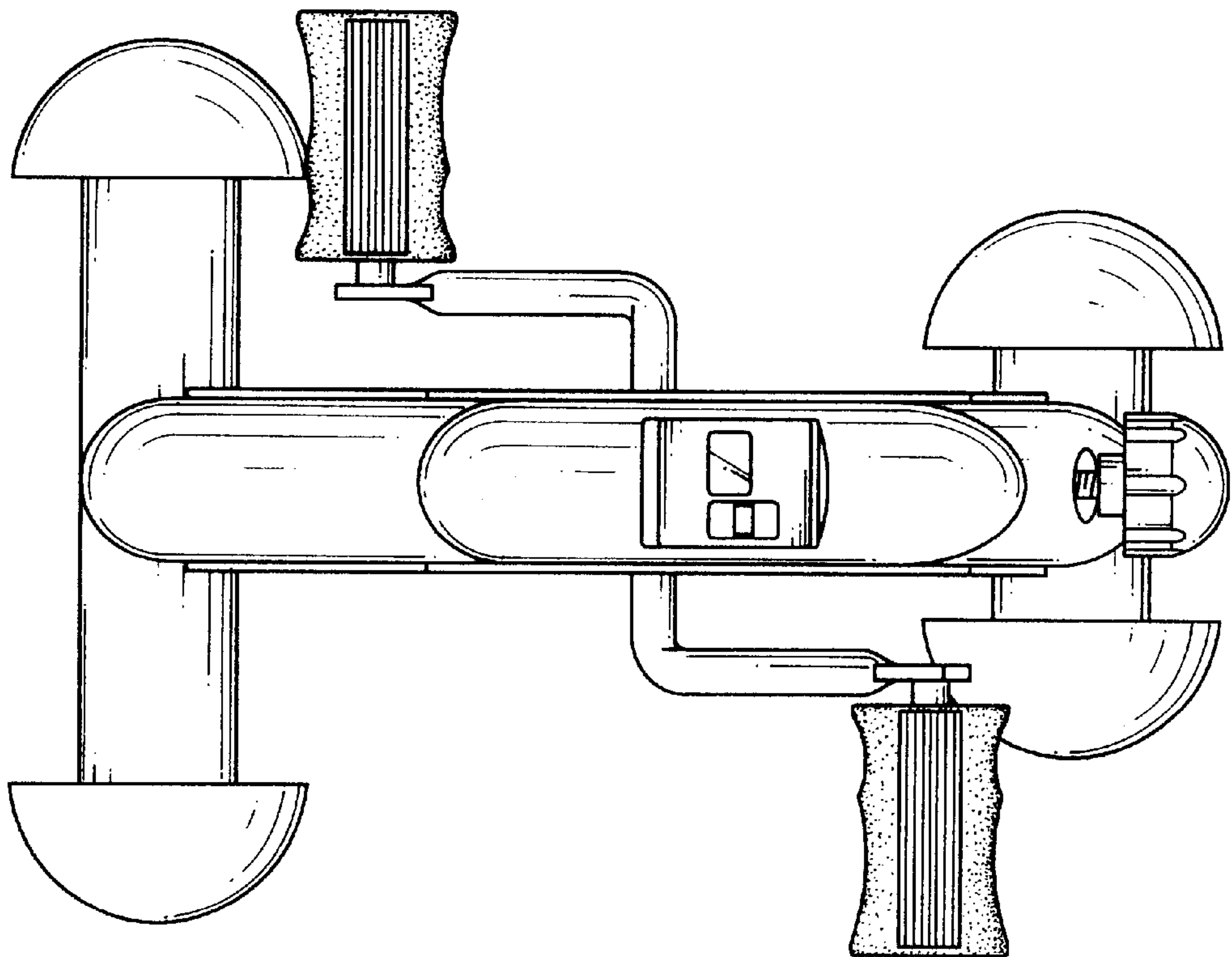


FIG. 6