



US00D462097S

(12) **United States Design Patent**  
**Jacquard**

(10) **Patent No.:** **US D462,097 S**

(45) **Date of Patent:** **\*\* Aug. 27, 2002**

(54) **VEHICLE SHAPED TEACHING TOY**

4,723,930 A \* 2/1988 Freese ..... 446/268

(76) Inventor: **Andre Jacquard**, 108 avenue Saint Julien, 59500 Douai (FR)

\* cited by examiner

(\*\*) Term: **14 Years**

*Primary Examiner*—Raphael Barkai  
(74) *Attorney, Agent, or Firm*—Gray, Cary, Ware & Freidenrich LLP

(21) Appl. No.: **29/137,018**

(57) **CLAIM**

(22) Filed: **Feb. 8, 2001**

I claim the ornamental design for a vehicle shaped teaching toy, as shown and described.

(30) **Foreign Application Priority Data**

Aug. 11, 2000 (XH) ..... DM/053 309

**DESCRIPTION**

(51) **LOC (7) Cl.** ..... **21-01**

FIG. 1 is a perspective view of a vehicle shaped teaching toy embodying the design.

(52) **U.S. Cl.** ..... **D21/533**

FIG. 2 is front view of the vehicle shaped teaching toy.

(58) **Field of Search** ..... D21/533-561,

FIG. 3 is a rear view of the vehicle shaped teaching toy.

D21/580, 633, 634, 640, 644; 446/93, 95, 153, 160, 268, 275, 465, 469, 470, 471

FIG. 4 is a plan view of the vehicle shaped teaching toy viewed from the left side of FIG. 1 and the right side is a mirror image of the left side.

(56) **References Cited**

FIG. 5 is a top view of the vehicle shaped teaching toy.

**U.S. PATENT DOCUMENTS**

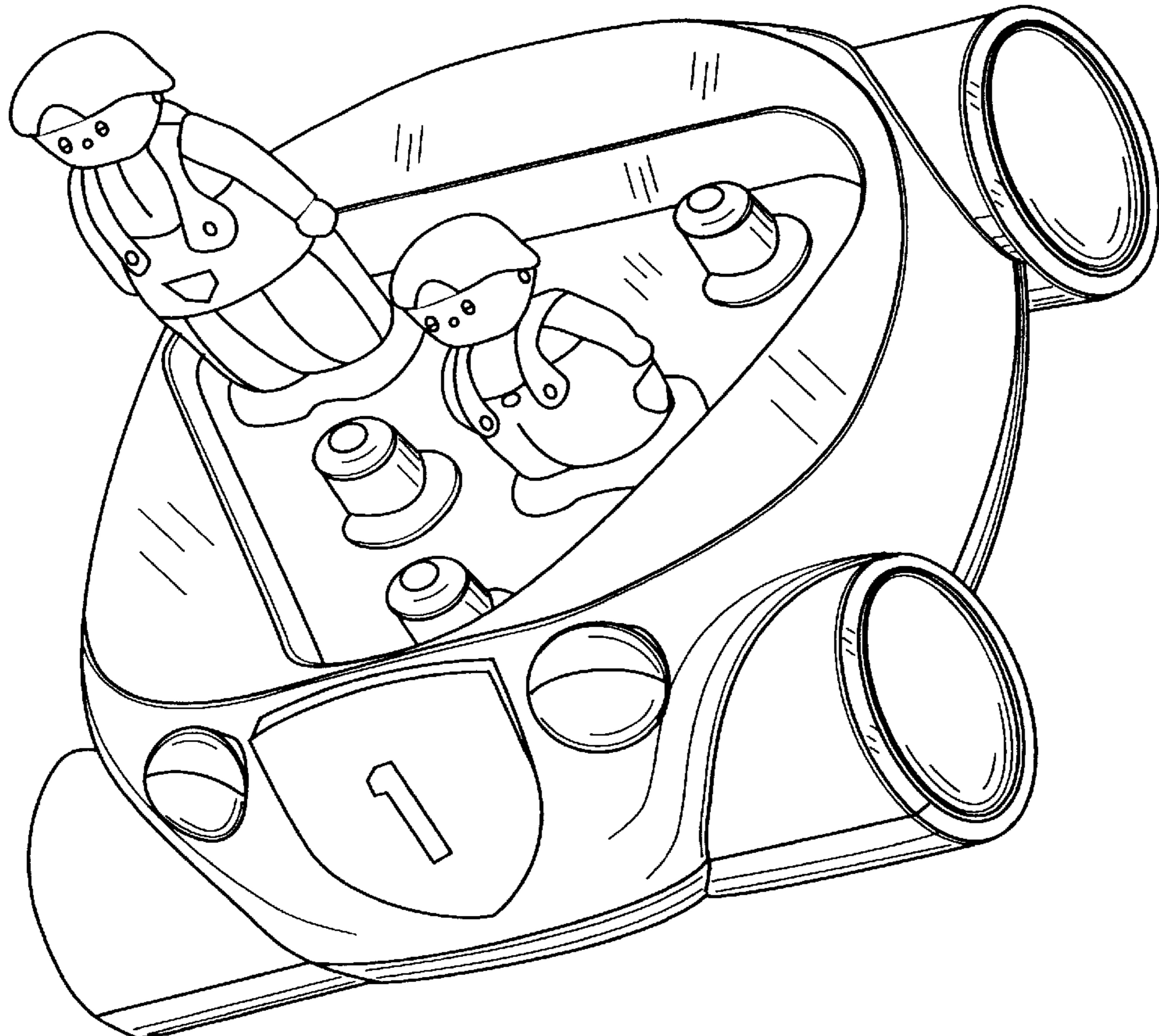
FIG. 6 is a bottom view of the vehicle shaped teaching toy.

- D99,527 S \* 5/1936 Sollmann ..... D21/533
- D133,868 S \* 9/1942 Donahue ..... D21/533
- D168,336 S \* 12/1952 Crawford et al. .... D21/547
- D225,761 S \* 1/1973 Mann ..... D21/533
- D247,384 S \* 2/1978 Nakao ..... D21/547
- D249,736 S \* 9/1978 Bergman ..... D21/533

FIG. 7 is a perspective view of the bottom of the carriage of the vehicle shaped teaching toy; and,

FIG. 8 is a perspective view of the top of the carriage of the vehicle shaped teaching toy.

**1 Claim, 5 Drawing Sheets**



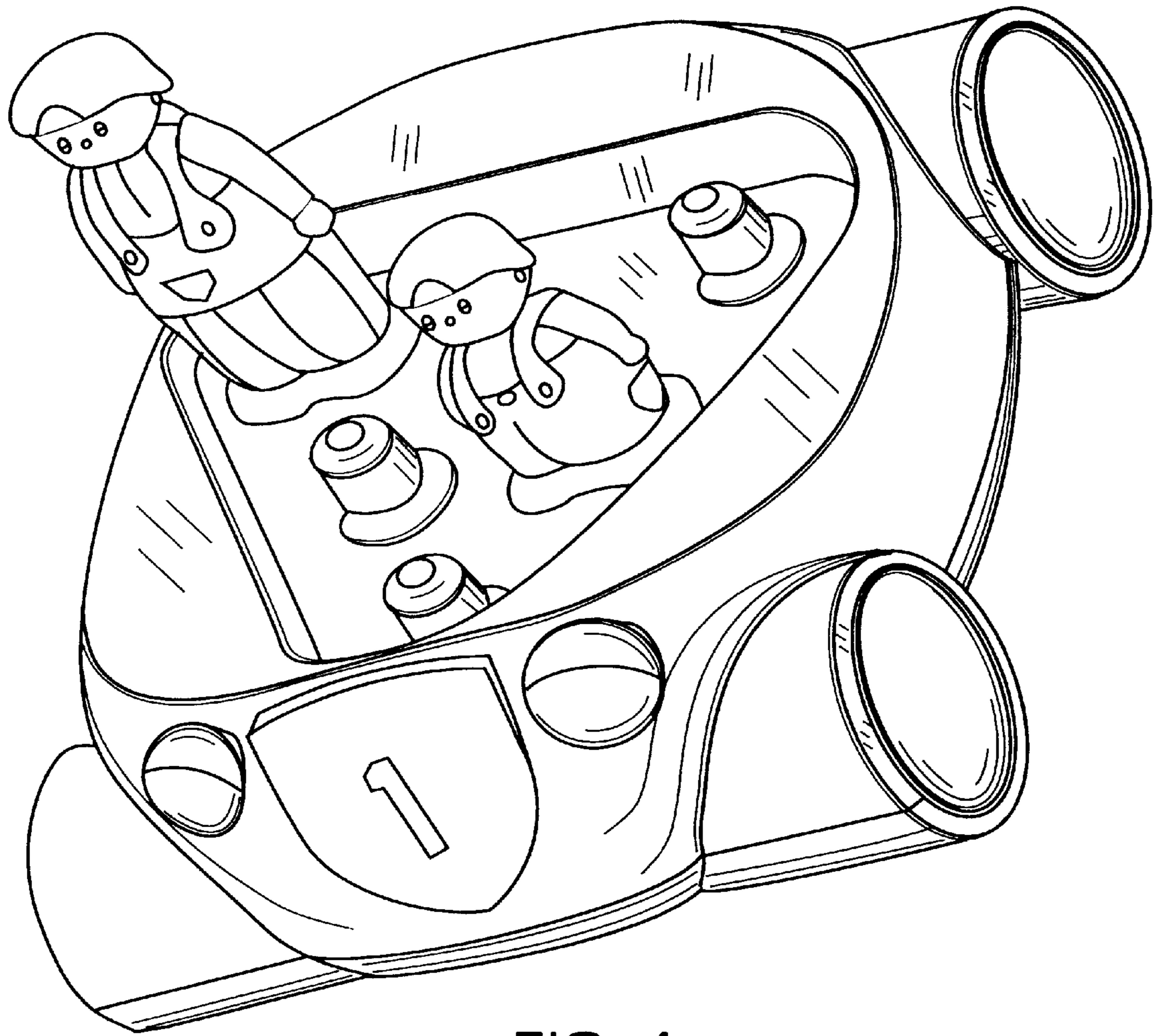


FIG. 1

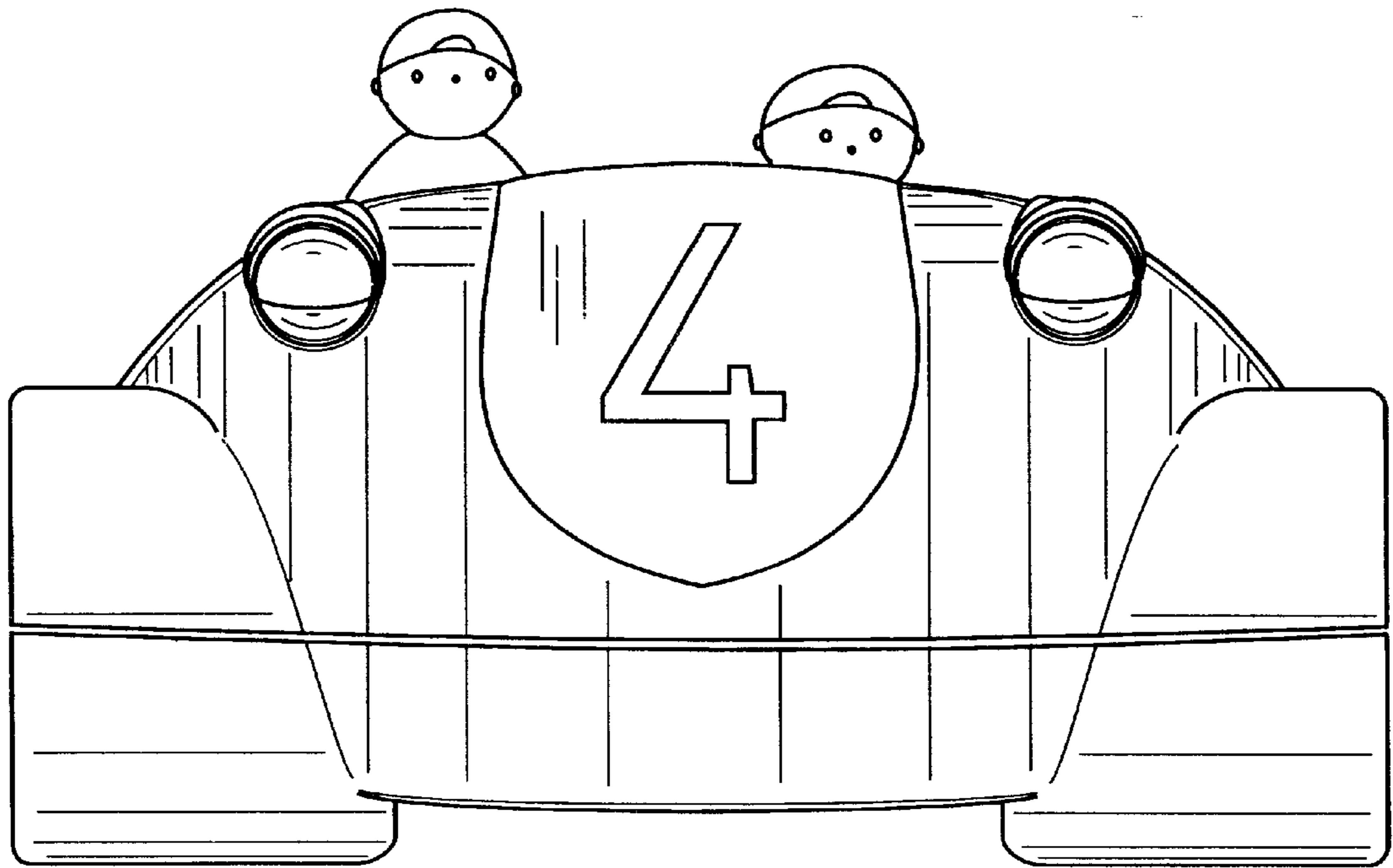


FIG. 2

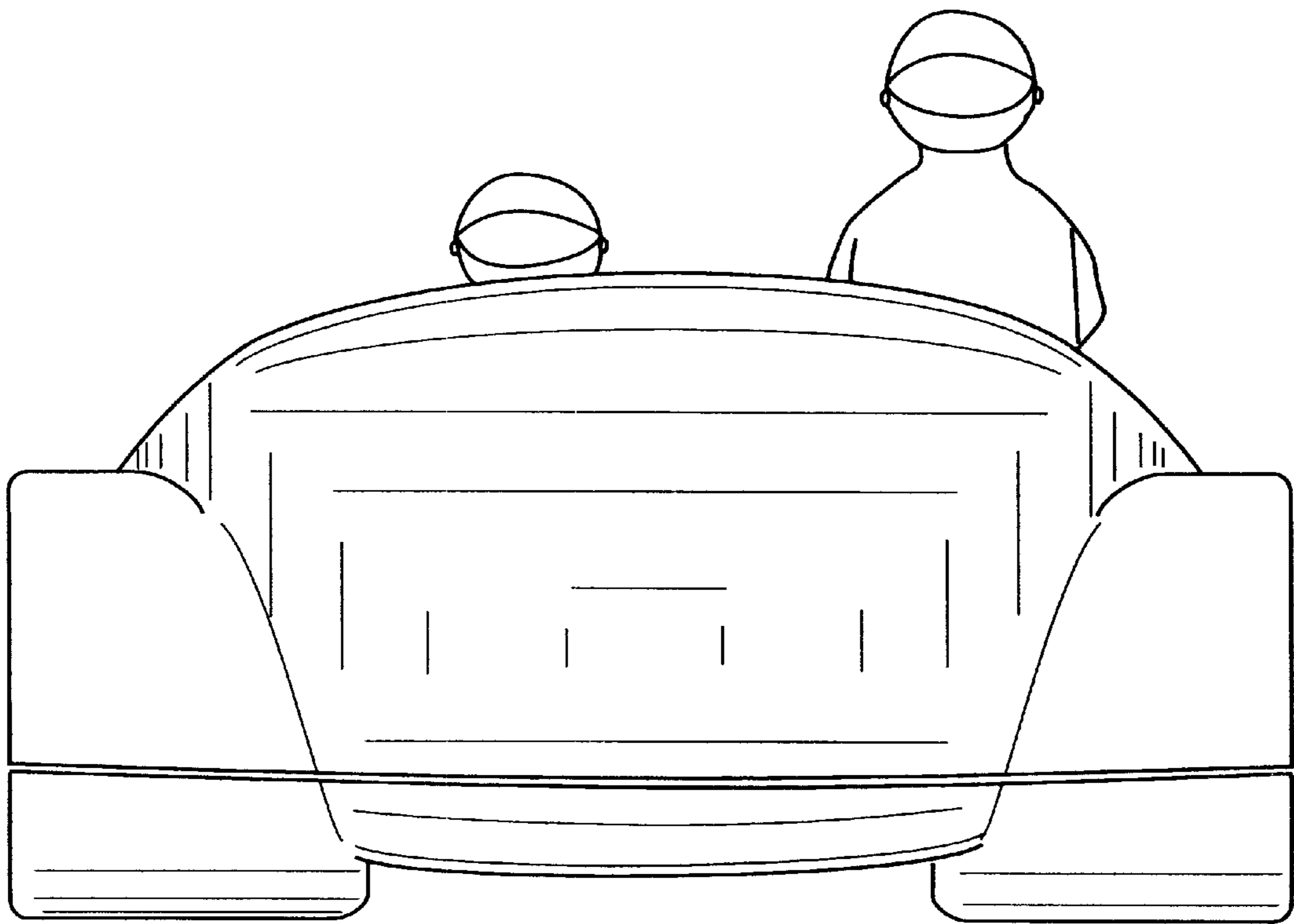


FIG. 3

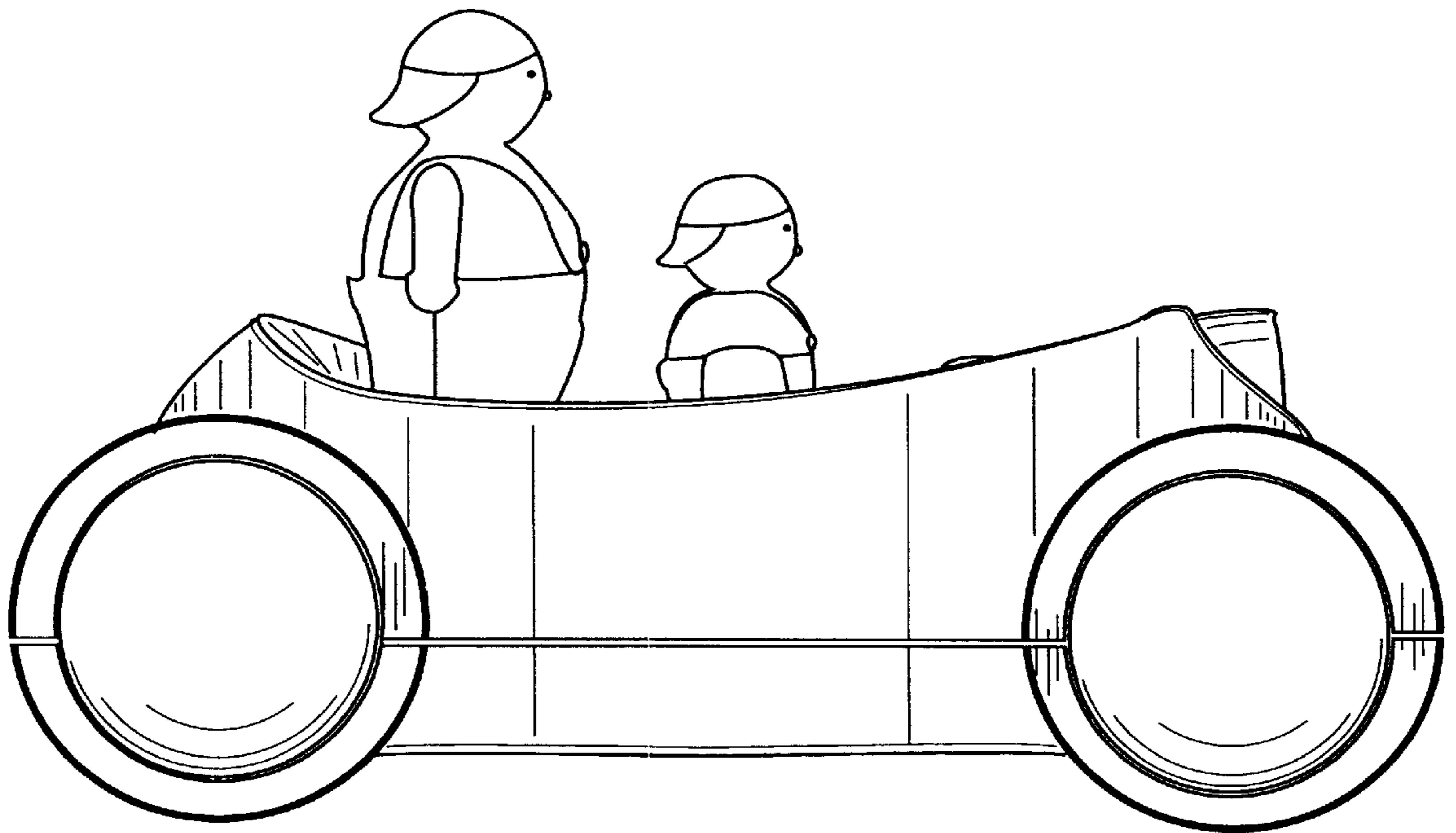


FIG. 4



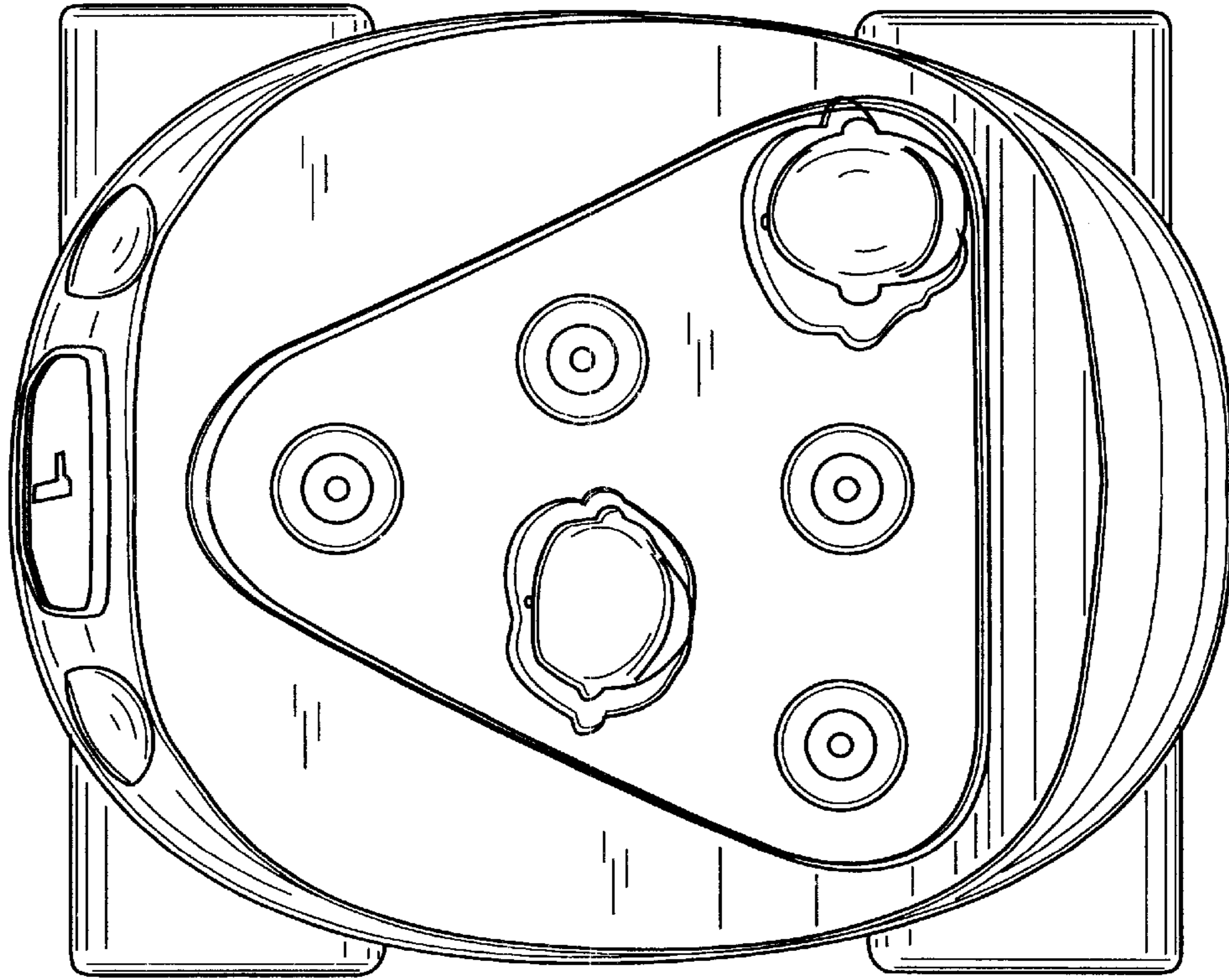


FIG. 5

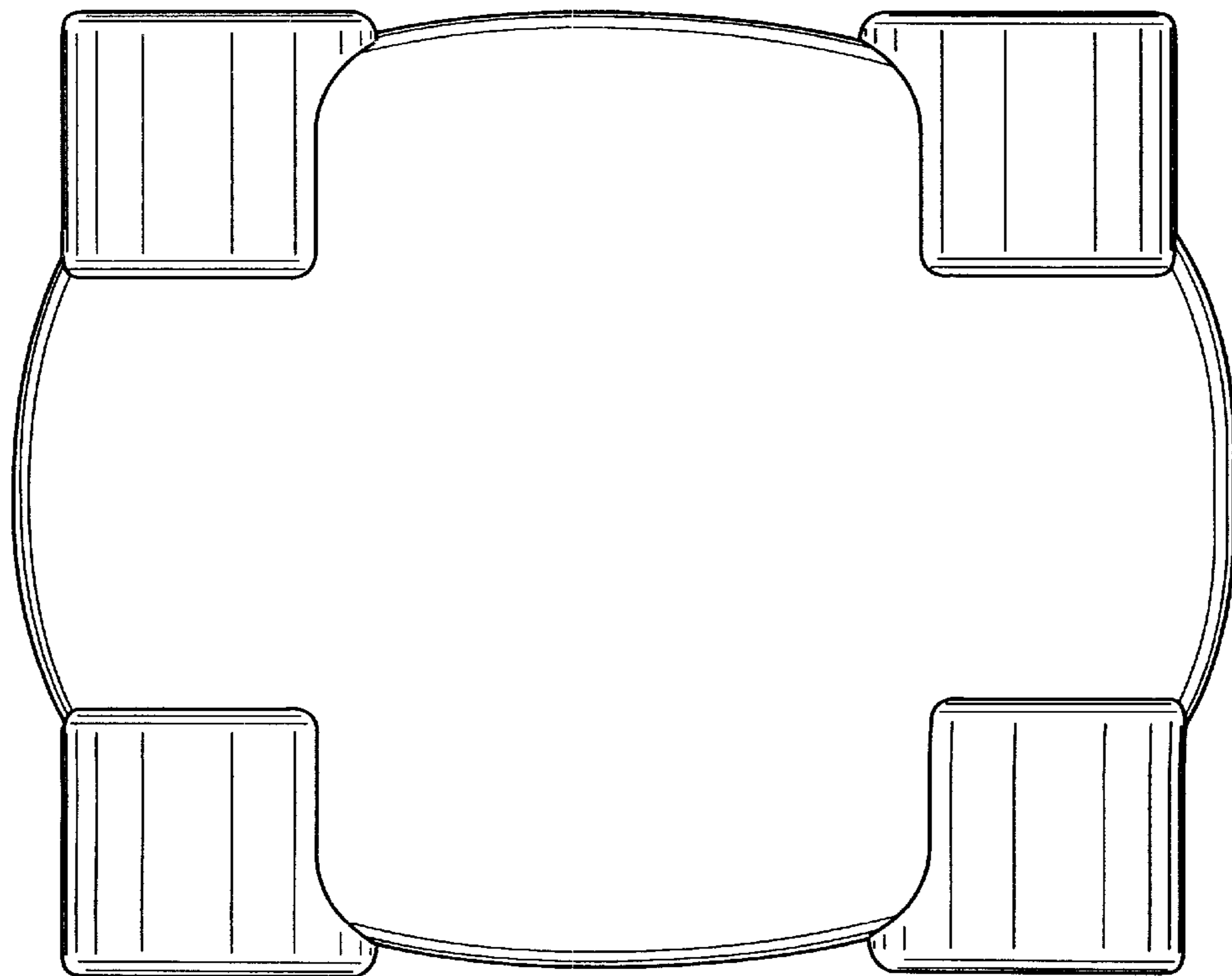


FIG. 6

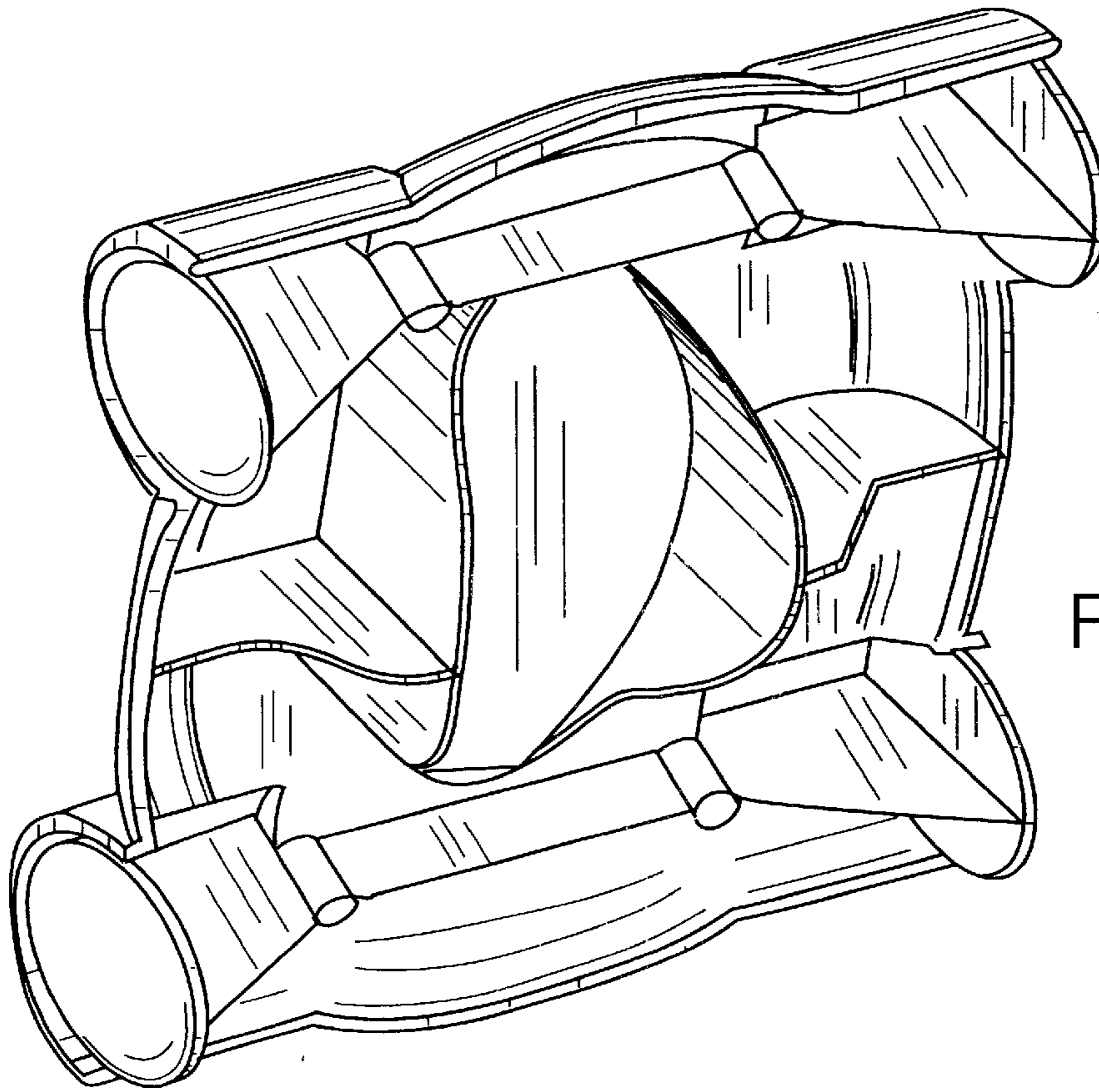


FIG. 7

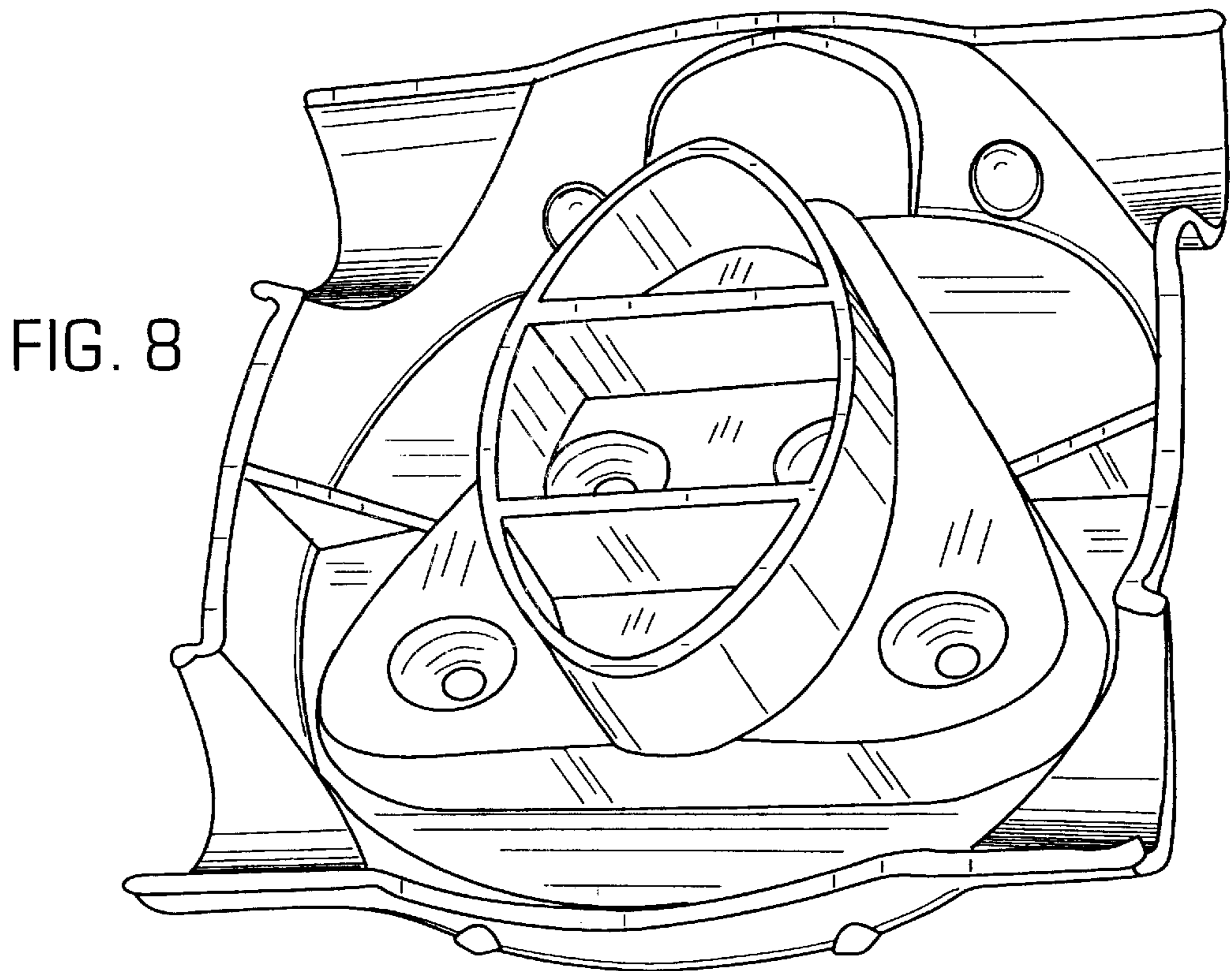


FIG. 8