



US00D462089S

(12) **United States Design Patent**  
**Trafton et al.**

(10) **Patent No.:** **US D462,089 S**

(45) **Date of Patent:** **\*\* Aug. 27, 2002**

(54) **INK CARTRIDGE**

(75) Inventors: **R. Winfield Trafton**, Brockport; **Dana A. Carlile**, Webster; **David R. Gotham**, Rochester; **Michelle M. Demeyer**, Rochester; **Laura M. Latta**, Rochester, all of NY (US)

(73) Assignee: **Eastman Kodak Company**, Rochester, NY (US)

(\*\*) Term: **14 Years**

(21) Appl. No.: **29/146,820**

(22) Filed: **Aug. 16, 2001**

(51) **LOC (7) Cl.** ..... **18-02**

(52) **U.S. Cl.** ..... **D18/56; 347/86**

(58) **Field of Search** ..... **D18/43, 56; 347/86, 347/87**

(56) **References Cited**

**U.S. PATENT DOCUMENTS**

D341,157 S	11/1993	Kitahara et al.	
5,666,146 A	9/1997	Mochizuki et al.	
D390,596 S	* 2/1998	Domhoff et al.	D18/56
D405,822 S	* 2/1999	Sabonis	D18/56
D417,233 S	* 11/1999	Sabonis	D18/56
D419,593 S	* 1/2000	Shimizu et al.	D18/56
D421,270 S	* 2/2000	Yamaguchi	D18/56
6,116,723 A	* 9/2000	Childers	347/87
6,164,743 A	* 12/2000	Hmelar et al.	347/86
D438,897 S	* 3/2001	Hatasa et al.	D18/56
6,203,147 B1	3/2001	Batthey et al.	
6,276,789 B1	* 8/2001	Miyazaki et al.	347/86
D448,798 S	* 10/2001	Shimizu et al.	D18/56

**FOREIGN PATENT DOCUMENTS**

DE 3405 164 A1 8/1985

\* cited by examiner

*Primary Examiner*—Cathy Anne MacCormac  
(74) *Attorney, Agent, or Firm*—Norman Rushefsky

(57) **CLAIM**

The ornamental design for an ink cartridge, as shown and described.

**DESCRIPTION**

This application is related to the following applications: U.S. design application Ser. No. 29/146,821 filed on even date herewith and entitled, Ink Cartridge With Integral Handle, filed in the name of R. Winfield Trafton et al; U.S. design application Ser. No. 29/146,899 filed on even date herewith and entitled, Ink Cartridge With Ink Color Discrimination Structure, filed in the name of R. Winfield Trafton et al; U.S. application Ser. No. 09/931,523 filed on even date herewith and entitled, Ink Cartridge with Ink Color Discrimination Structure, filed in the name of R. Winfield Trafton et al.

The design is embodied as an ink cartridge which contains ink for use in an ink jet printer. The ink cartridge includes an integral handle on an upper portion of the cartridge for facilitating carrying of the cartridge by an operator and facilitating the operator's loading and unloading of the cartridge from a printer.

FIG. 1 is a perspective view illustrating the front, bottom and right side of an ink cartridge showing our new design;

FIG. 2 is a perspective view of the rear, top and right side thereof;

FIG. 3 is a front elevational view thereof;

FIG. 4 is a rear elevational view thereof;

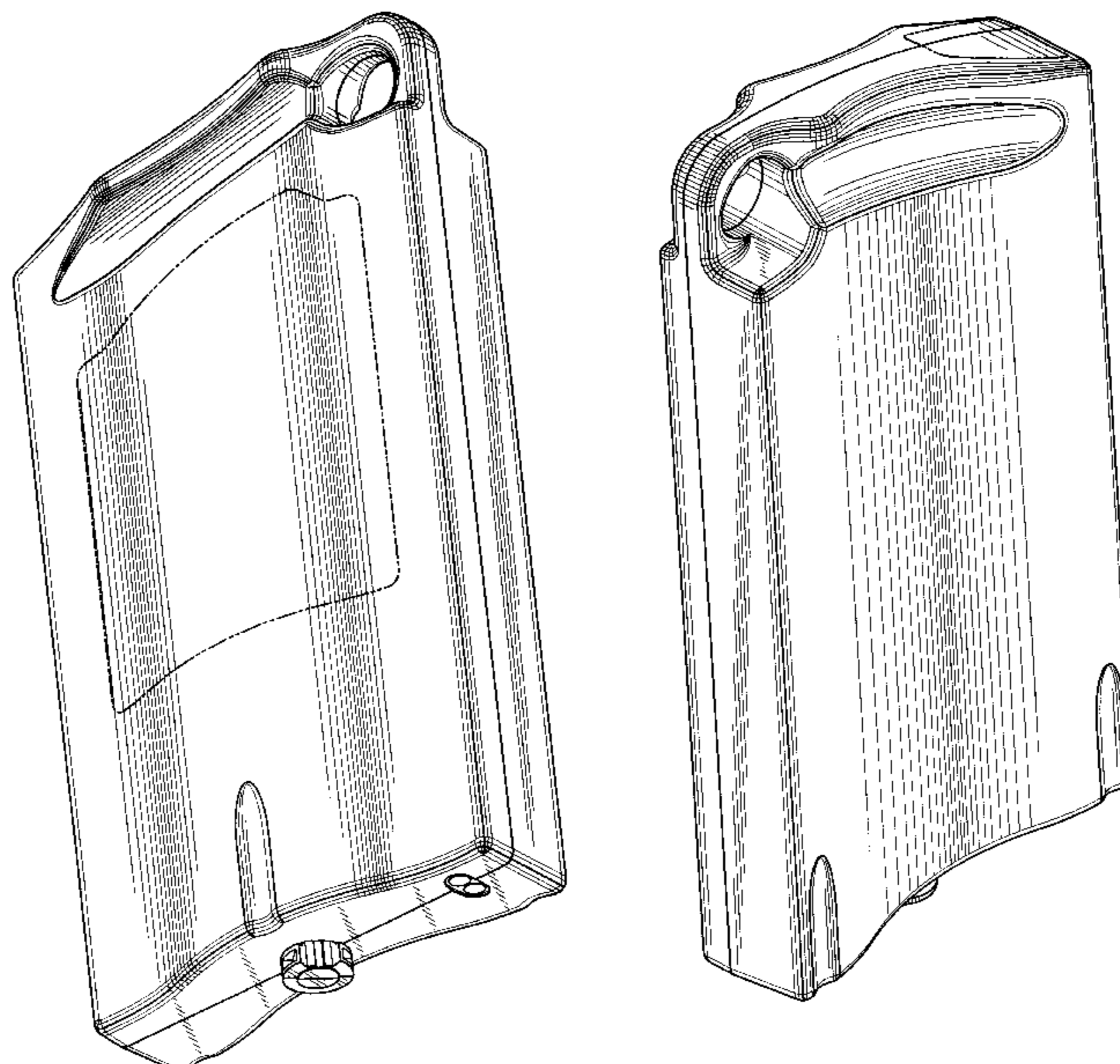
FIG. 5 is a top plan view thereof;

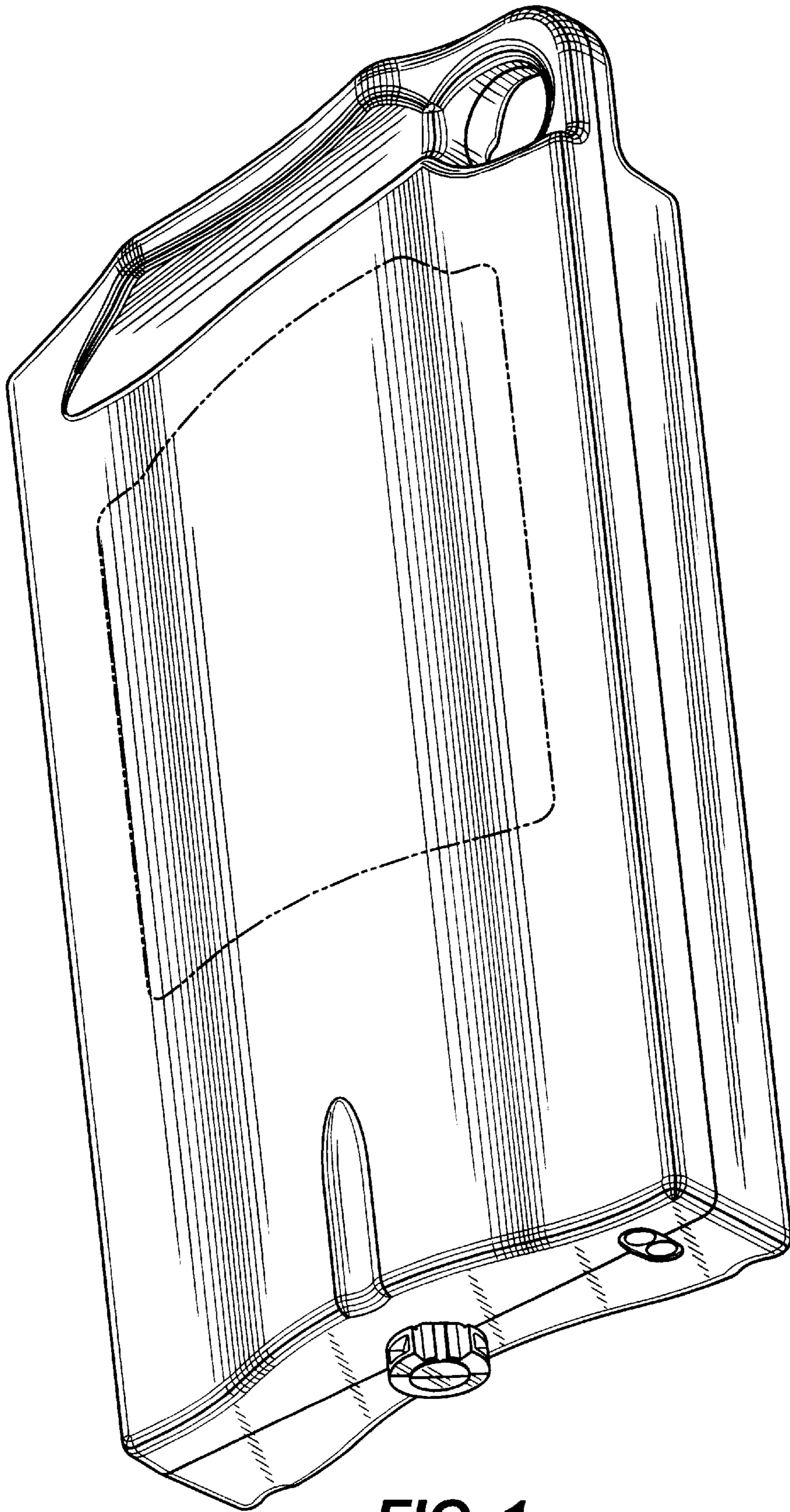
FIG. 6 is a bottom plan view thereof;

FIG. 7 is a right side elevational view thereof; and,

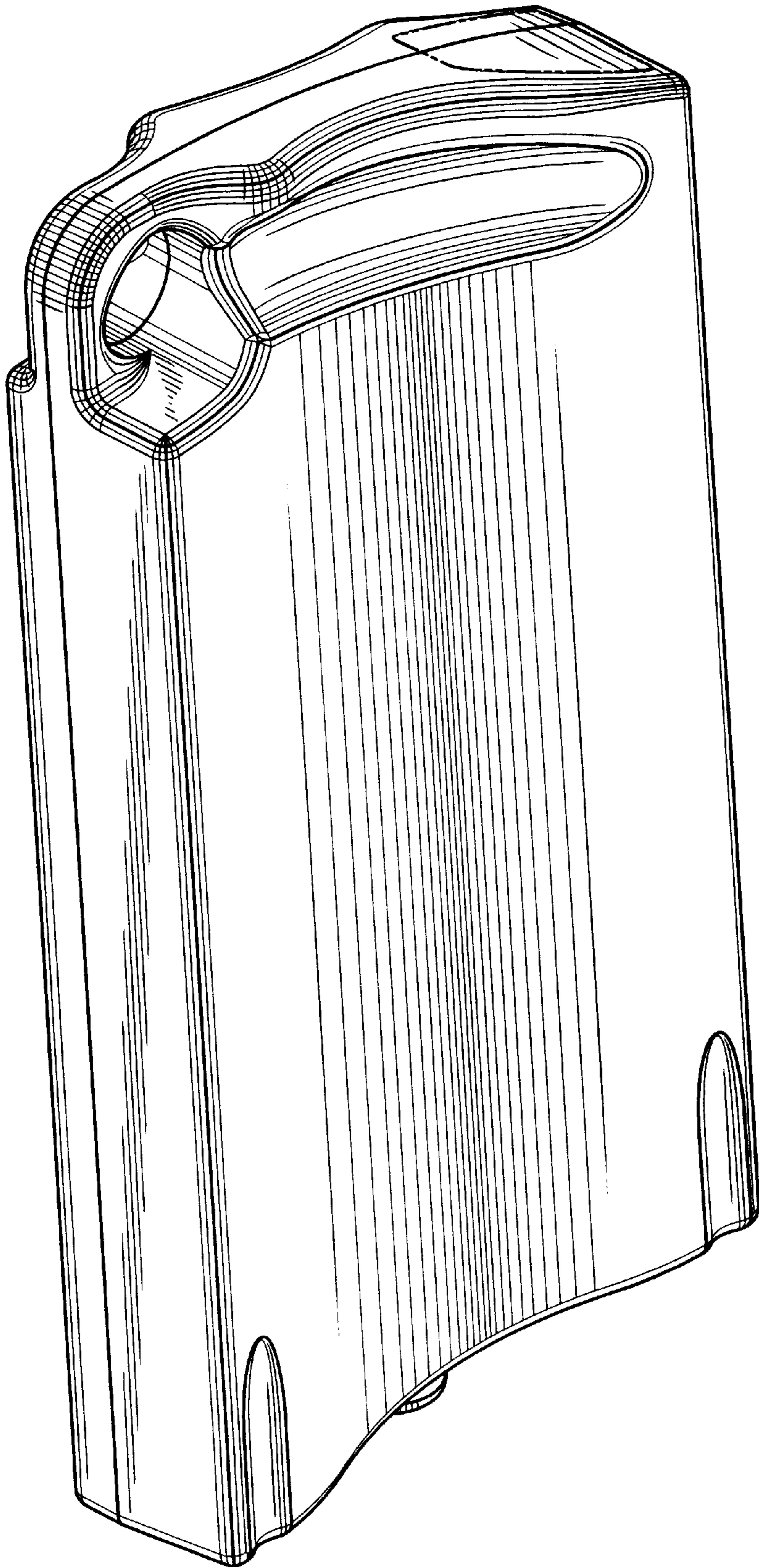
FIG. 8 is a left side elevational view thereof.

**1 Claim, 7 Drawing Sheets**

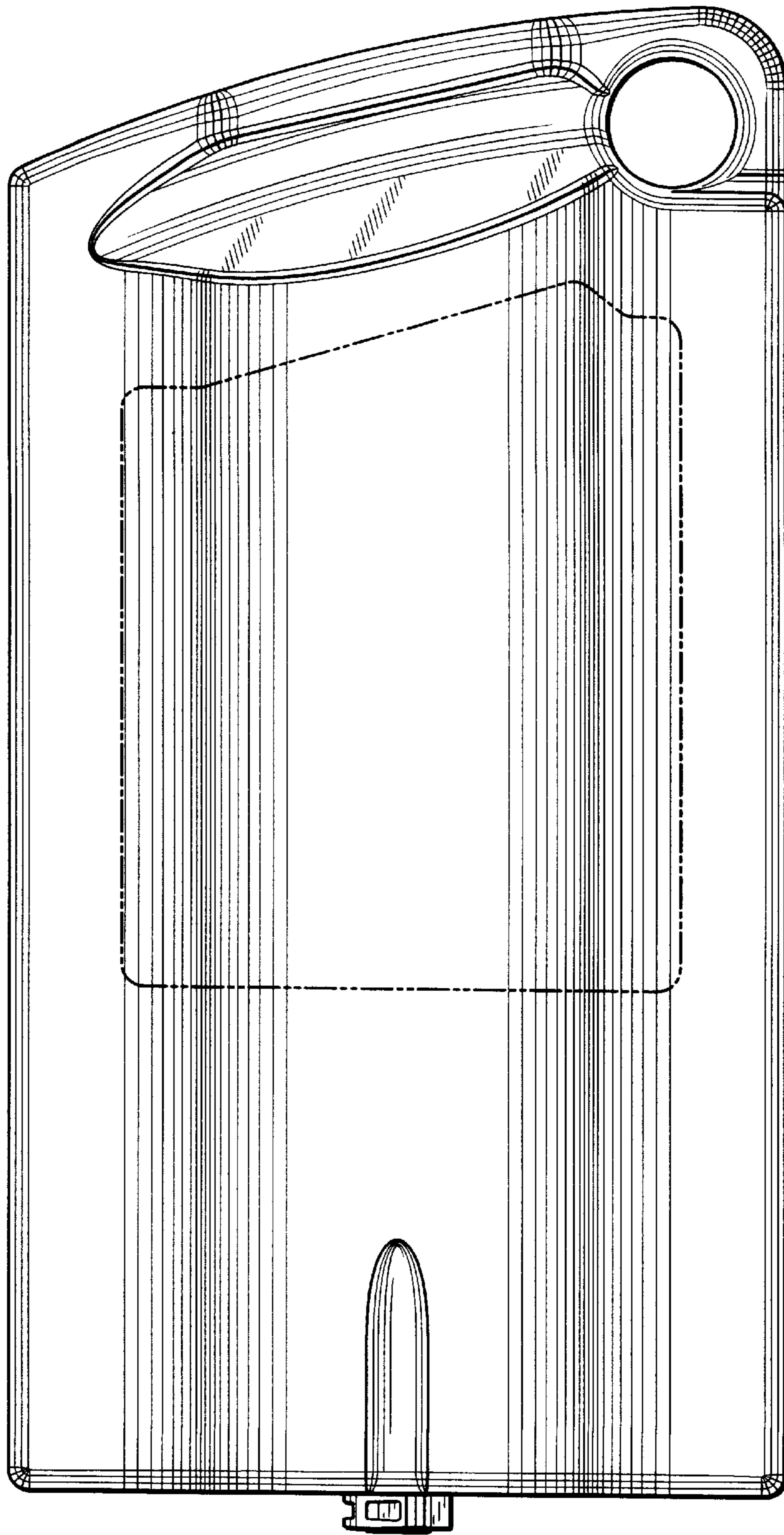




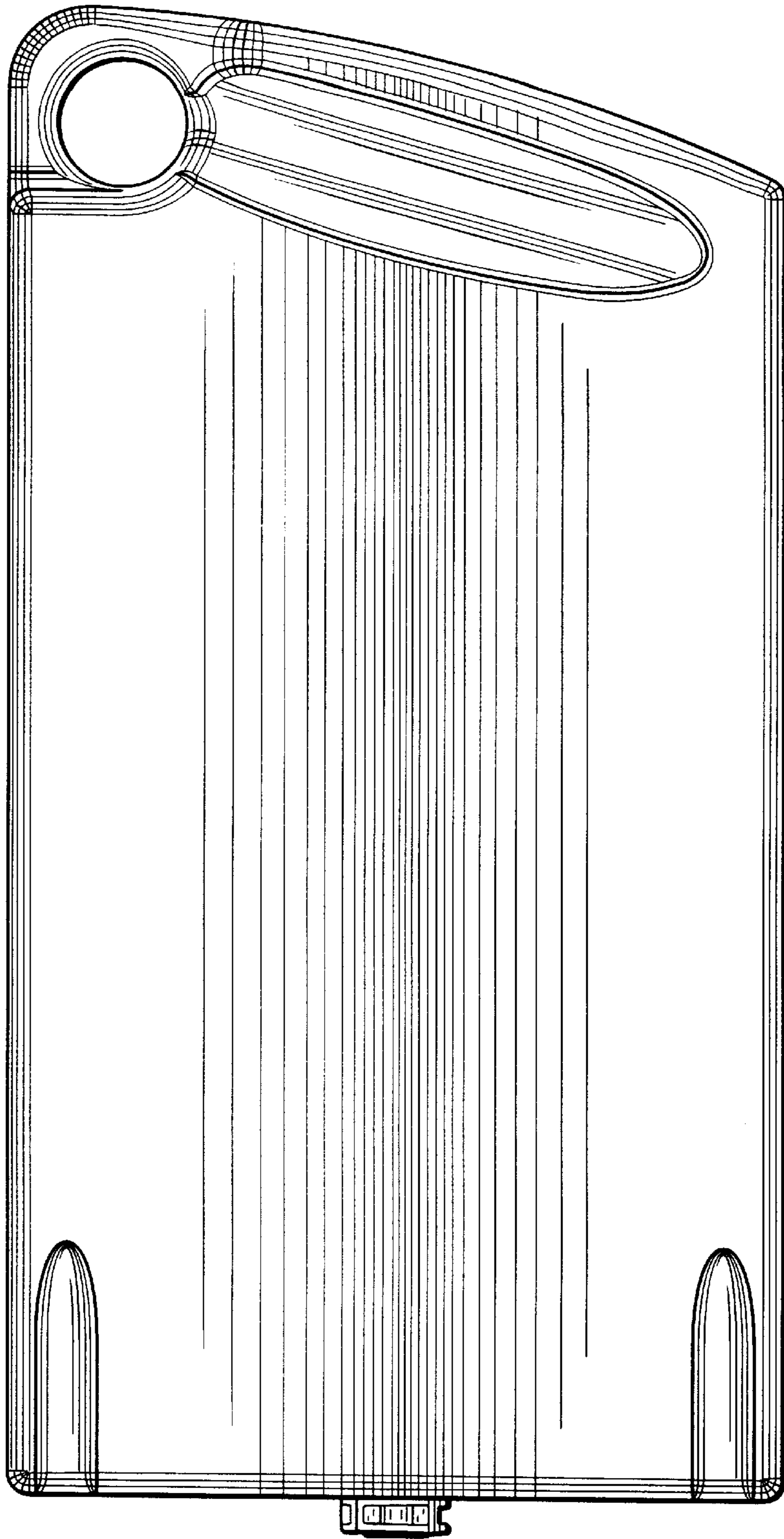
**FIG. 1**



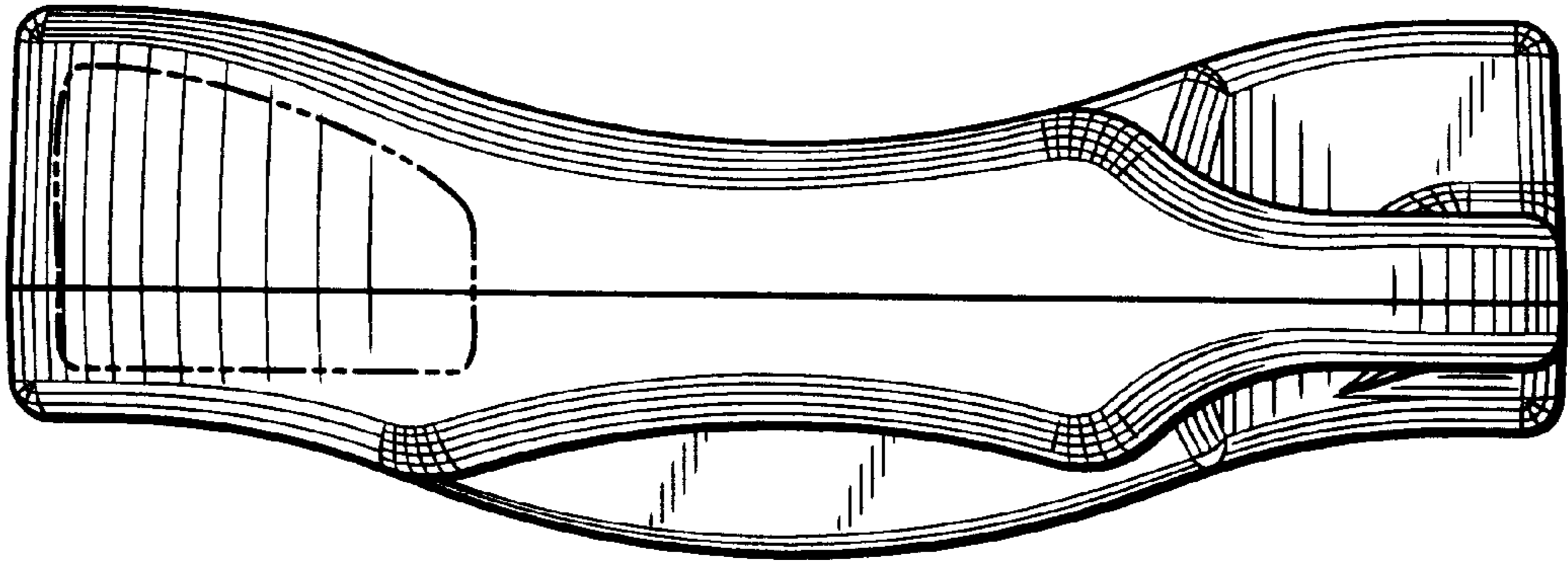
**FIG. 2**



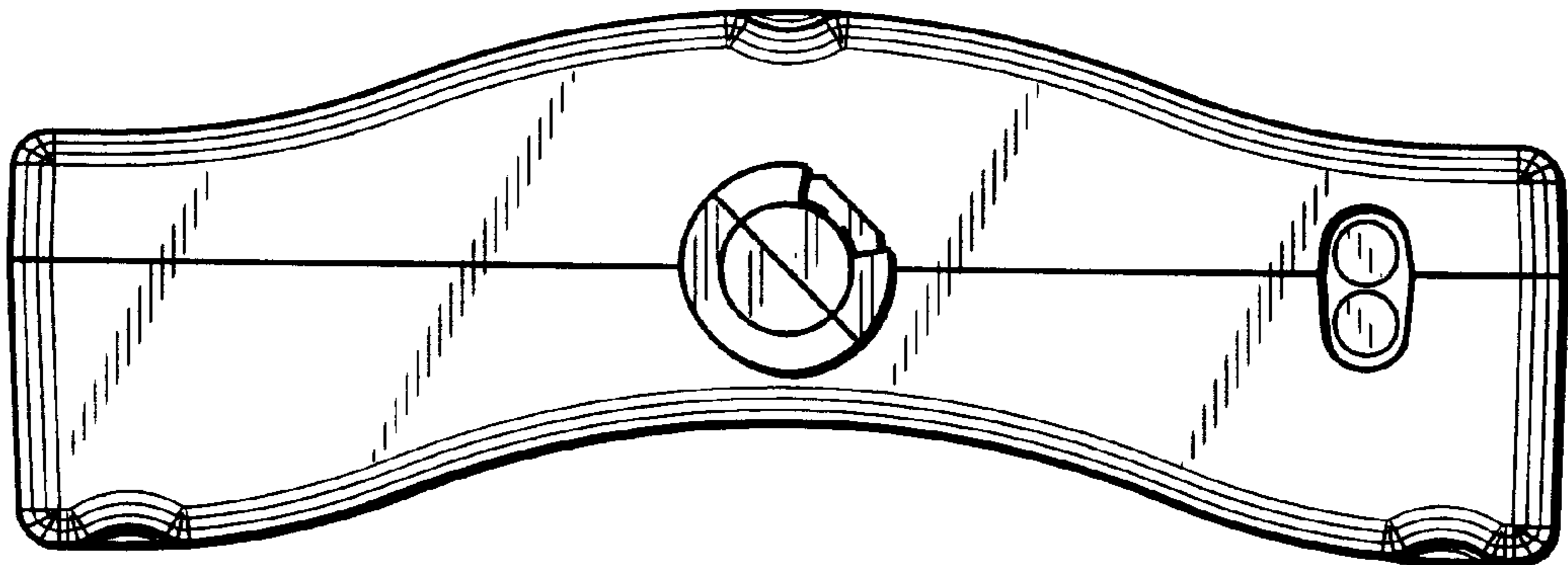
**FIG. 3**



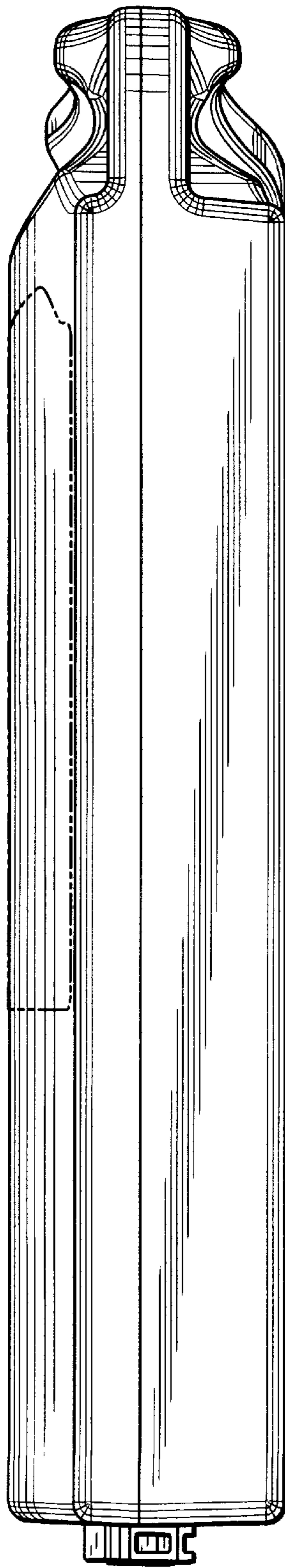
**FIG. 4**



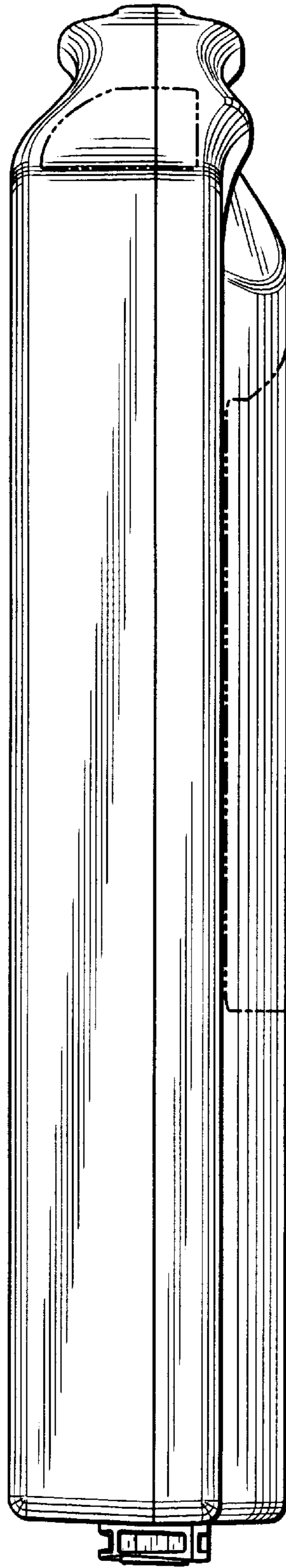
**FIG. 5**



**FIG. 6**



**FIG. 7**



**FIG. 8**