



US00D462088S

(12) **United States Design Patent**
Shinano et al.

(10) **Patent No.:** **US D462,088 S**

(45) **Date of Patent:** **** Aug. 27, 2002**

(54) **INK PAPER PACK**

(75) Inventors: **Toru Shinano, Yokohama; Keiji Takahashi, Inagi, both of (JP)**

(73) Assignee: **Canon Kabushiki Kaisha, Tokyo (JP)**

(**) Term: **14 Years**

(21) Appl. No.: **29/137,541**

(22) Filed: **Feb. 26, 2001**

(30) **Foreign Application Priority Data**

Aug. 30, 2000 (JP) 2000-023965

(51) **LOC (7) Cl.** **18-02**

(52) **U.S. Cl.** **D18/56; 347/86**

(58) **Field of Search** D18/43-44, 49,
D18/56, 12; 347/86, 87, 68; 206/449; 271/162

(56) **References Cited**

U.S. PATENT DOCUMENTS

3,767,188 A	*	10/1973	Rosenberg, Jr. et al.	D18/44
D258,066 S	*	1/1981	DeGregorio	D18/44
D319,465 S	*	8/1991	Isomoto	D18/44
5,113,206 A	*	5/1992	Fukazawa	347/86
D345,758 S	*	4/1994	Fukuda	D18/49
5,314,179 A	*	5/1994	Oda et al.	206/449
5,423,434 A	*	6/1995	Chen	226/449
D369,824 S	*	5/1996	Miyamoto	D18/49
D375,975 S	*	11/1996	Koizumi et al.	D18/56

5,612,725 A	*	3/1997	Okimoto	347/68
D379,638 S	*	6/1997	Cruden et al.	D18/56
D408,847 S	*	4/1999	Yugaya	D18/49
D423,043 S	*	4/2000	Ishigami et al.	D18/56
6,149,256 A	*	11/2000	McIntyre et al.	347/86
6,217,019 B1	*	4/2001	Ishiduka et al.	206/449
6,227,732 B1	*	5/2001	Higuchi et al.	206/449
6,270,210 B1	*	8/2001	Yamaguchi et al.	347/86
6,276,786 B1	*	8/2001	Eida et al.	347/86

* cited by examiner

Primary Examiner—Cathy Anne MacCormac

(74) *Attorney, Agent, or Firm*—Fitzpatrick, Cella, Harper & Scinto

(57) **CLAIM**

The ornamental design for an ink paper pack, as shown and described.

DESCRIPTION

FIG. 1 is a front view of an ink paper pack showing our new design;

FIG. 2 is a rear view thereof;

FIG. 3 is a top plan view thereof;

FIG. 4 is a bottom plan view thereof;

FIG. 5 is a left side view thereof; and,

FIG. 6 is a perspective view thereof.

The broken lines are for purposes of illustration only and form no part of the claimed invention.

1 Claim, 3 Drawing Sheets

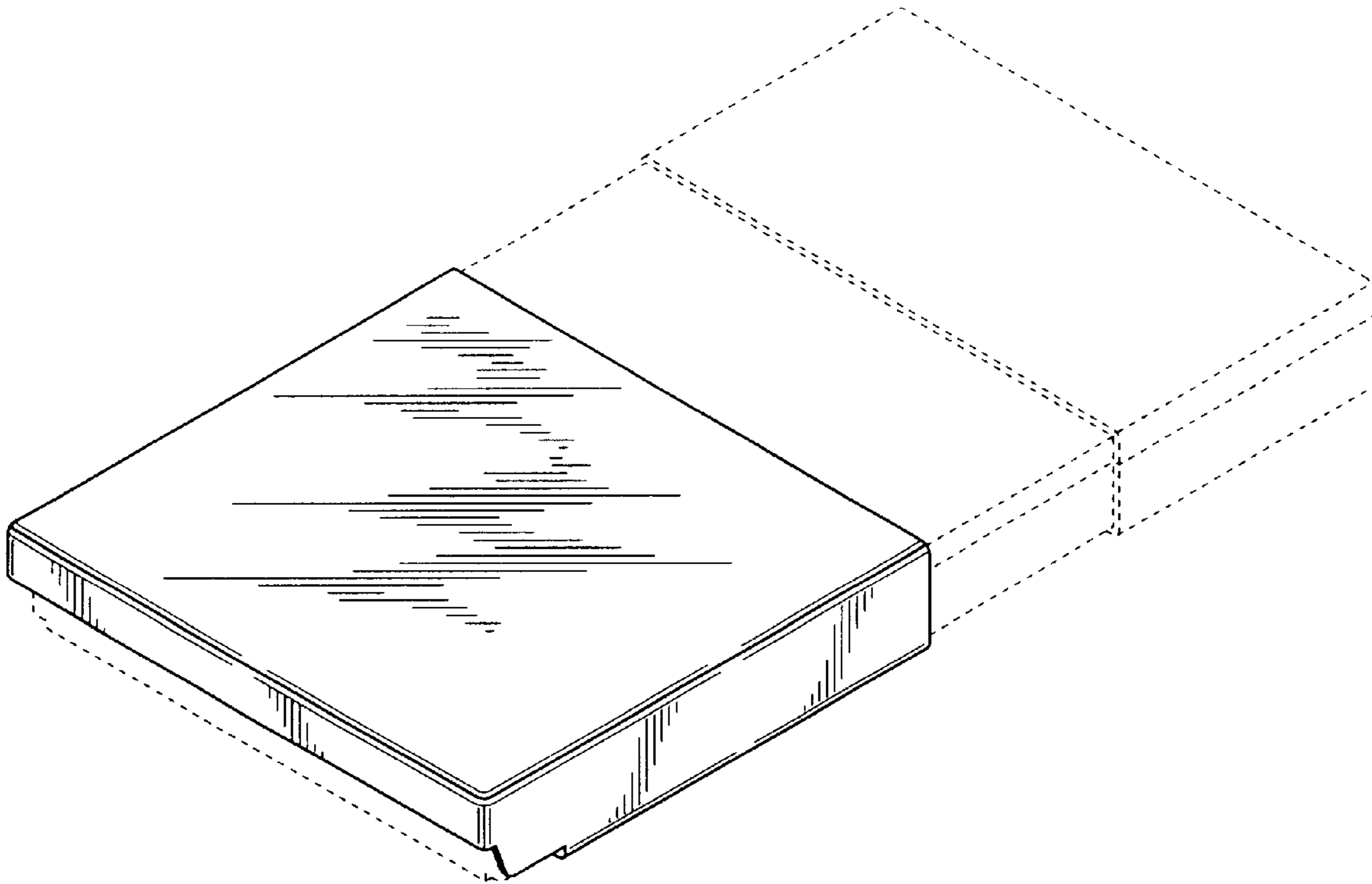


FIG. 1

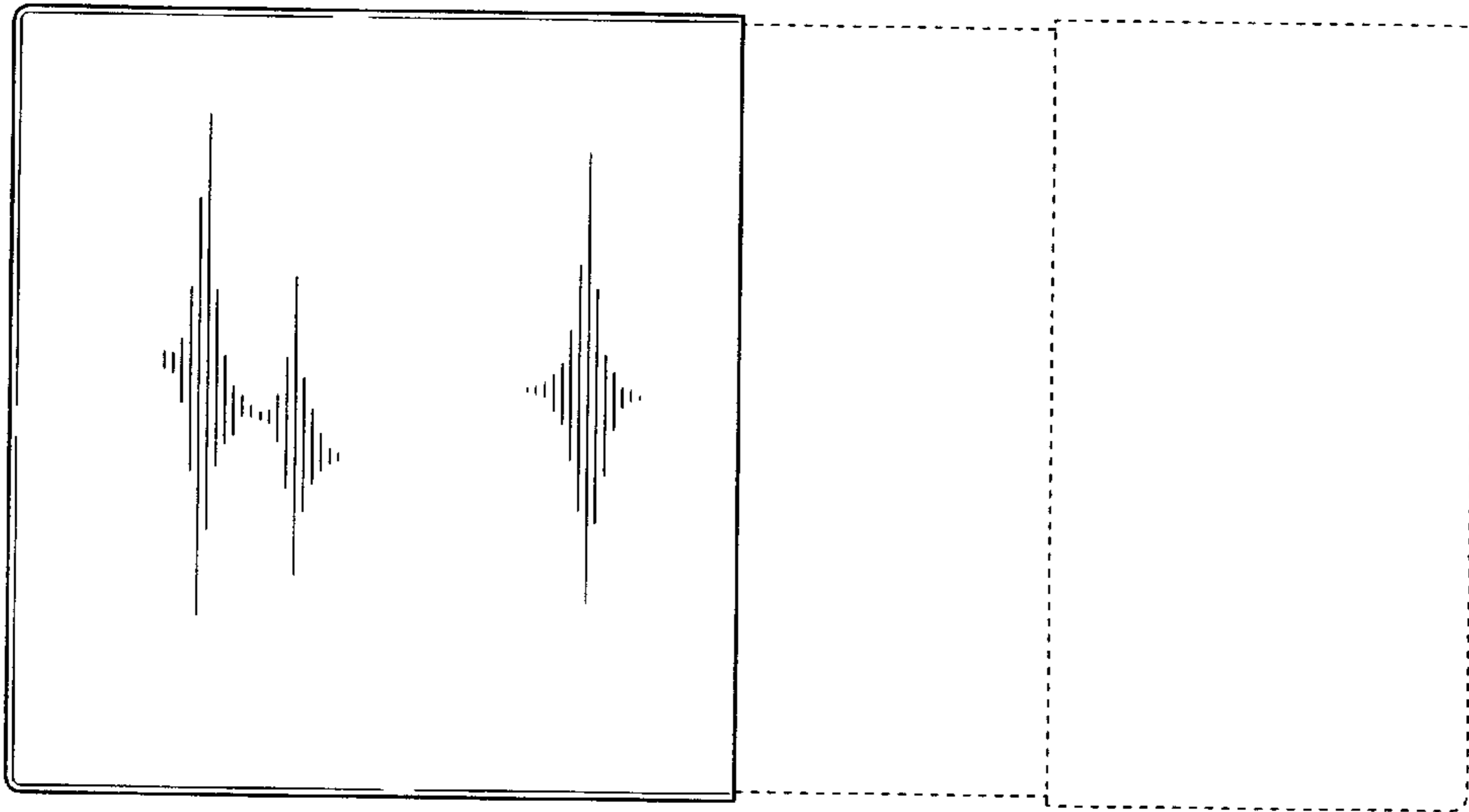


FIG. 2

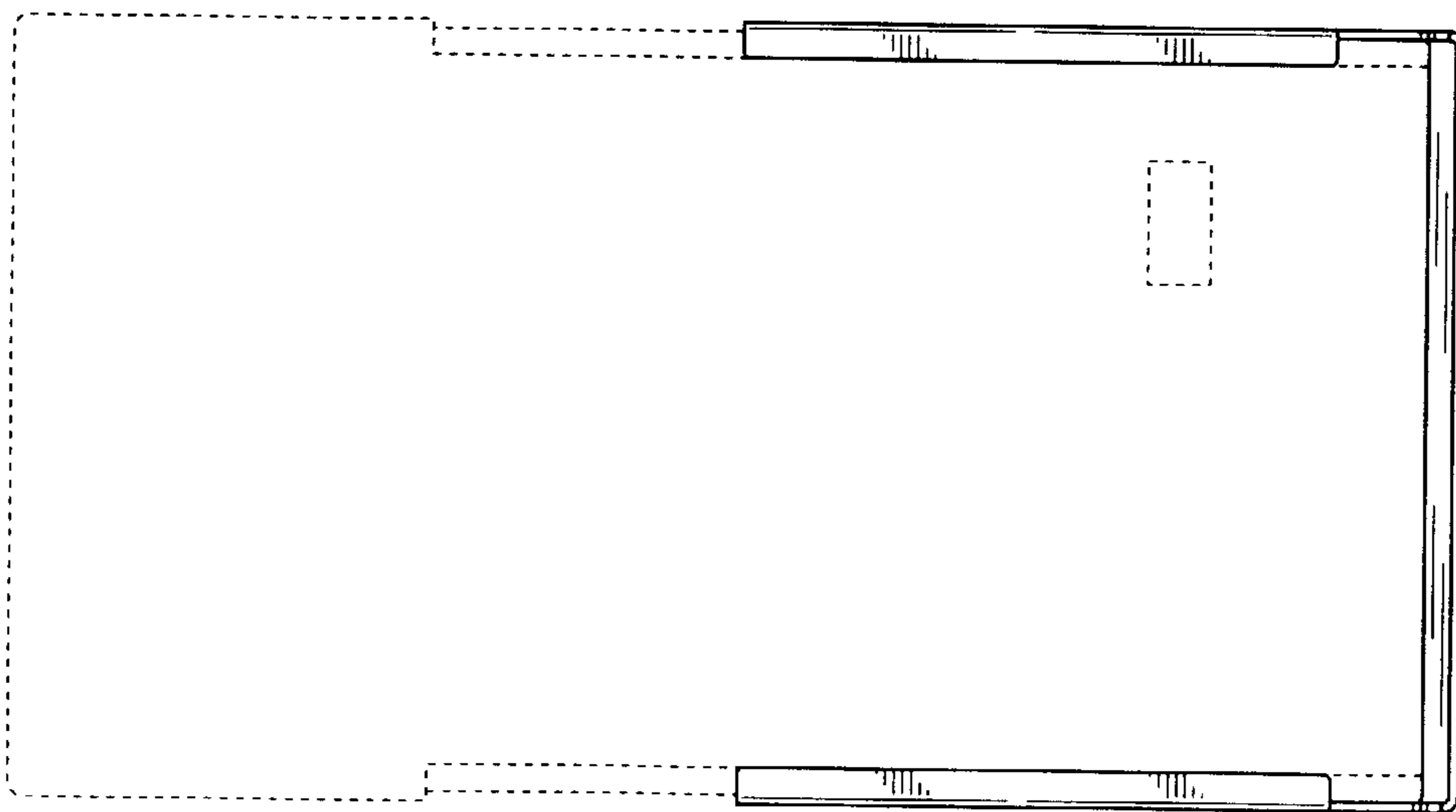


FIG. 3

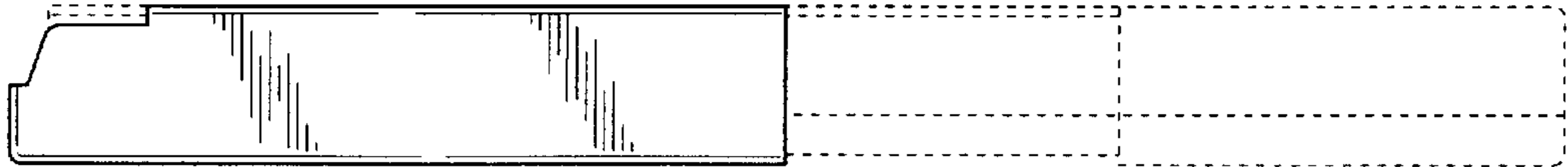


FIG. 4

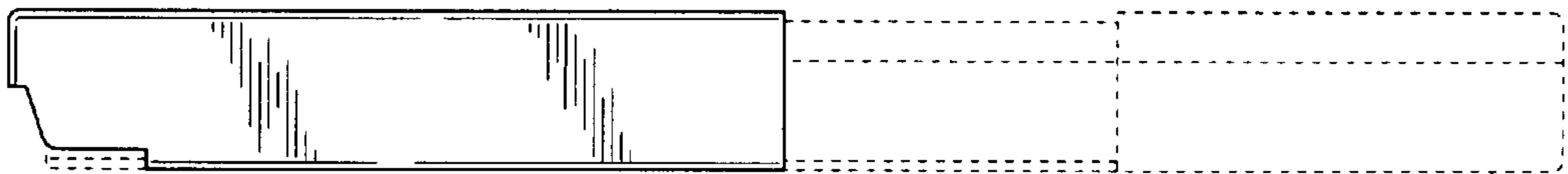


FIG. 5

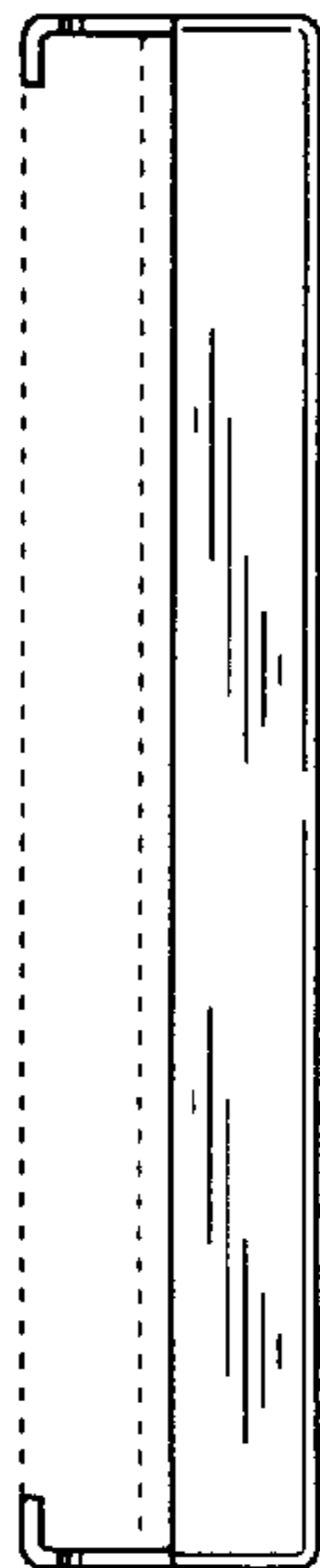


FIG. 6

